



US00D592018S

(12) **United States Design Patent**
Back

(10) **Patent No.:** **US D592,018 S**

(45) **Date of Patent:** **** May 12, 2009**

(54) **FOOD CONTAINER**

(75) Inventor: **Young-Kwan Back**, Daejeon (KR)

(73) Assignee: **Bukwang Chemical Co., Ltd.** (KR)

(**) Term: **14 Years**

(21) Appl. No.: **29/320,073**

(22) Filed: **Jun. 19, 2008**

(30) **Foreign Application Priority Data**

May 29, 2008 (KR) 30-2008-0022782

(51) **LOC (9) Cl.** **07-07**

(52) **U.S. Cl.** **D7/629**

(58) **Field of Classification Search** D7/601,
D7/602, 629, 538-542; D9/425-432; 220/780-806,
220/574-575

See application file for complete search history.

(56) **References Cited**

U.S. PATENT DOCUMENTS

2,767,878	A *	10/1956	Brown	D9/425
4,373,642	A *	2/1983	Wolters et al.	220/788
4,412,630	A *	11/1983	Daenen	220/792
D286,729	S *	11/1986	Tzifkansky et al.	D7/629
D365,501	S *	12/1995	Daugherty et al.	D7/602
D450,983	S *	11/2001	Tucker et al.	D7/629

D490,278	S *	5/2004	Welsh	D7/629
D527,227	S *	8/2006	Bertulis	D7/629
D527,956	S *	9/2006	Doliwa	D7/629
D546,632	S *	7/2007	Oberloier	D7/629
D551,515	S *	9/2007	Ablo et al.	D7/629

* cited by examiner

Primary Examiner—Terry A Wallace

(74) *Attorney, Agent, or Firm*—Cantor Colburn LLP

(57) **CLAIM**

I claim, the ornamental design for a food container, as shown and described.

DESCRIPTION

FIG. 1 is a perspective view of a food container showing my new design;

FIG. 2 is a front elevational view thereof;

FIG. 3 is a rear elevational view thereof;

FIG. 4 is a left side elevational view thereof;

FIG. 5 is a right side elevational view thereof;

FIG. 6 is a top plan view thereof;

FIG. 7 is a bottom plan view thereof; and,

FIG. 8 is an exploded perspective view showing a lid and a body of the food container.

1 Claim, 5 Drawing Sheets

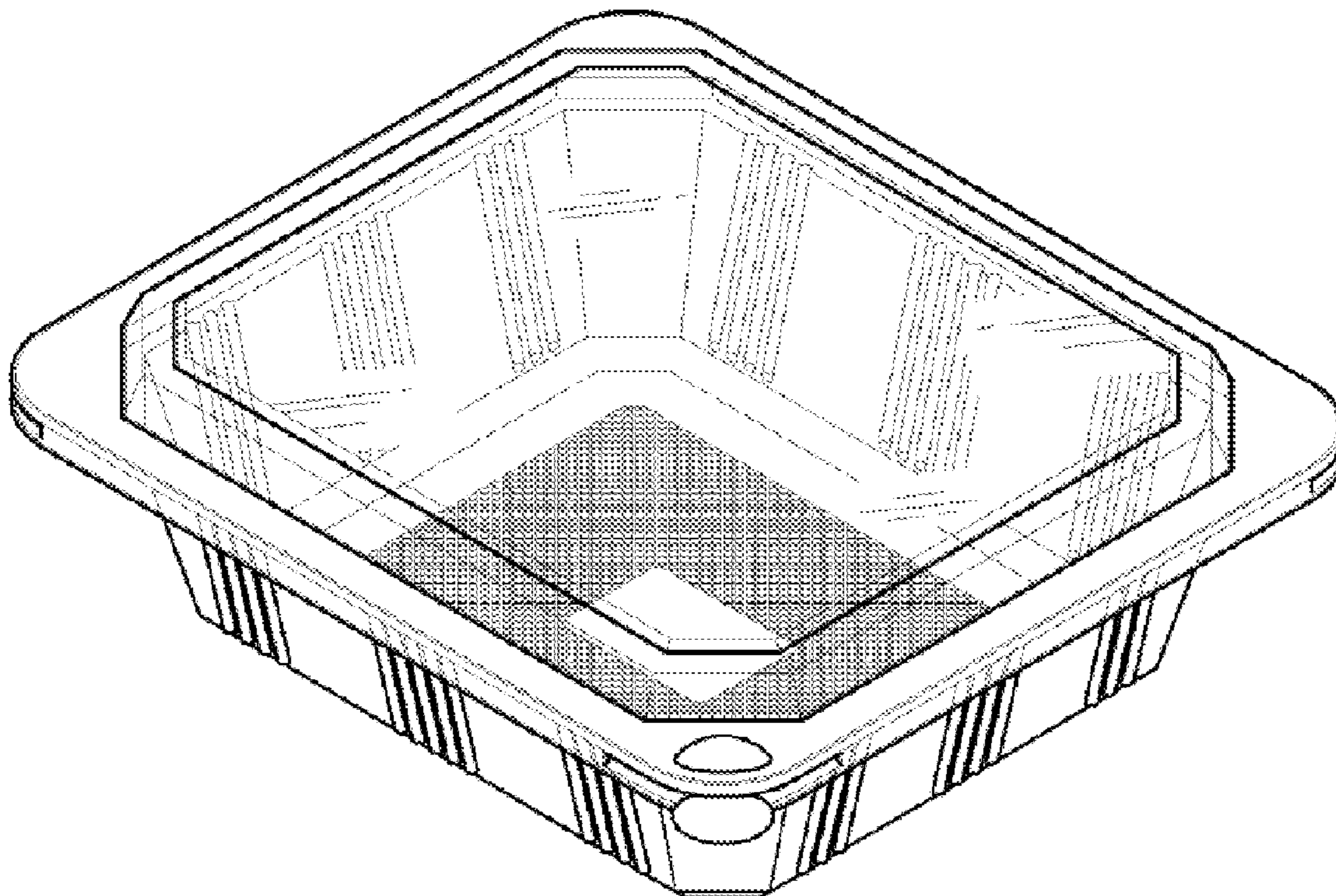


FIG. 1

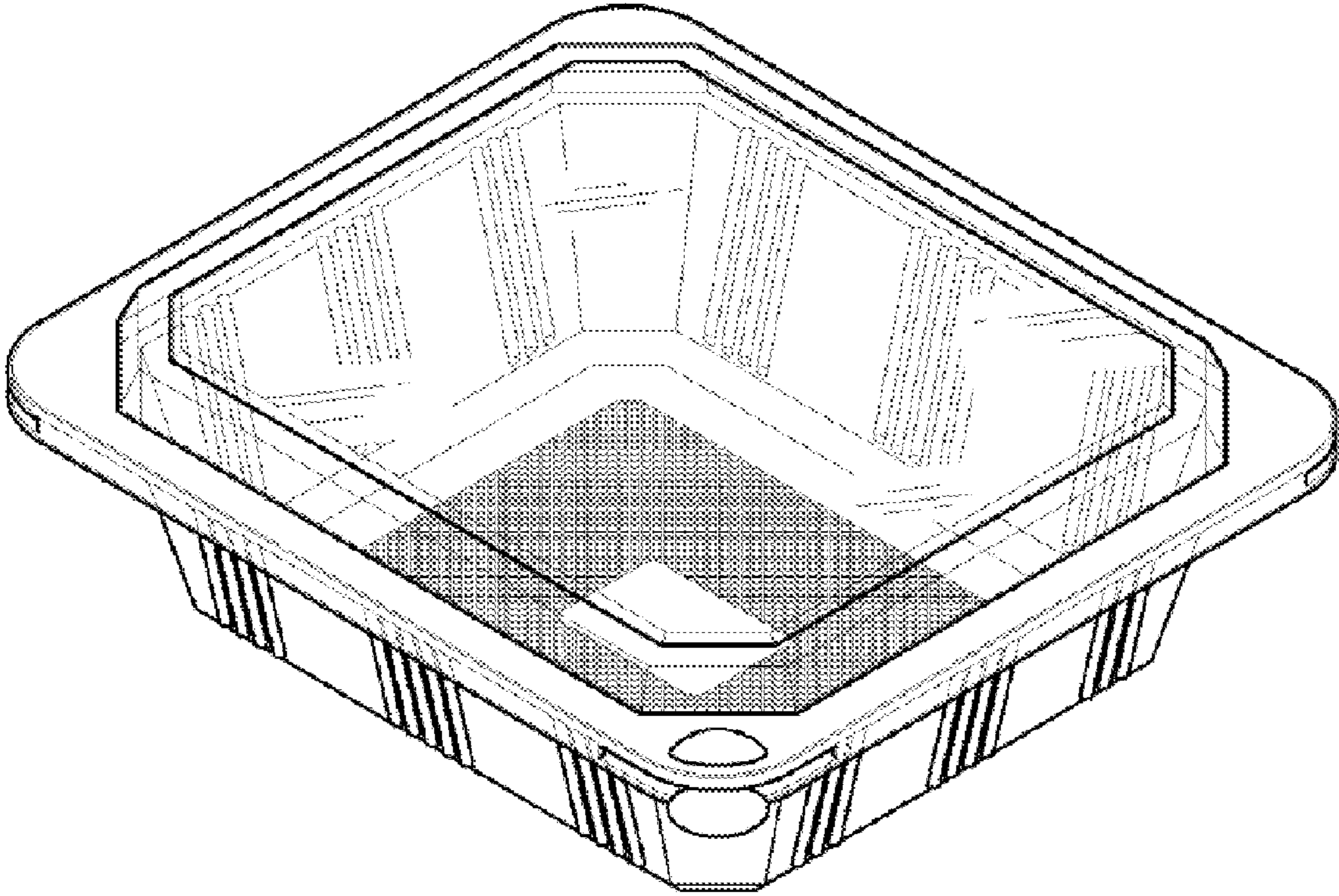


FIG. 2

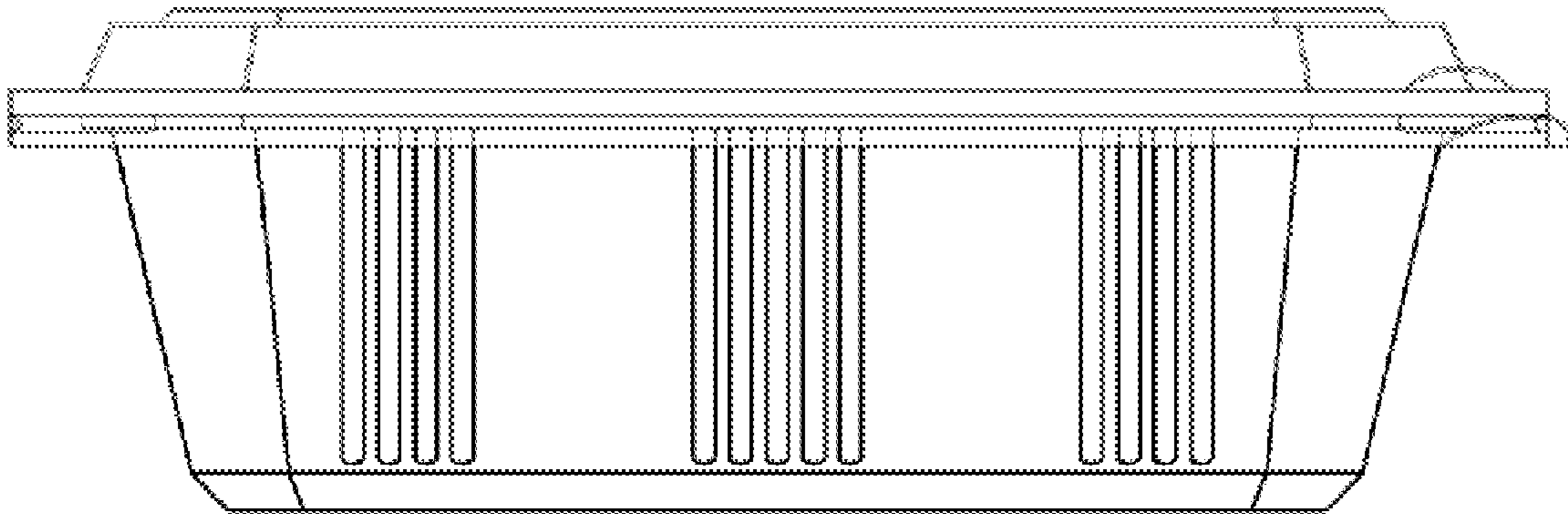


FIG. 3

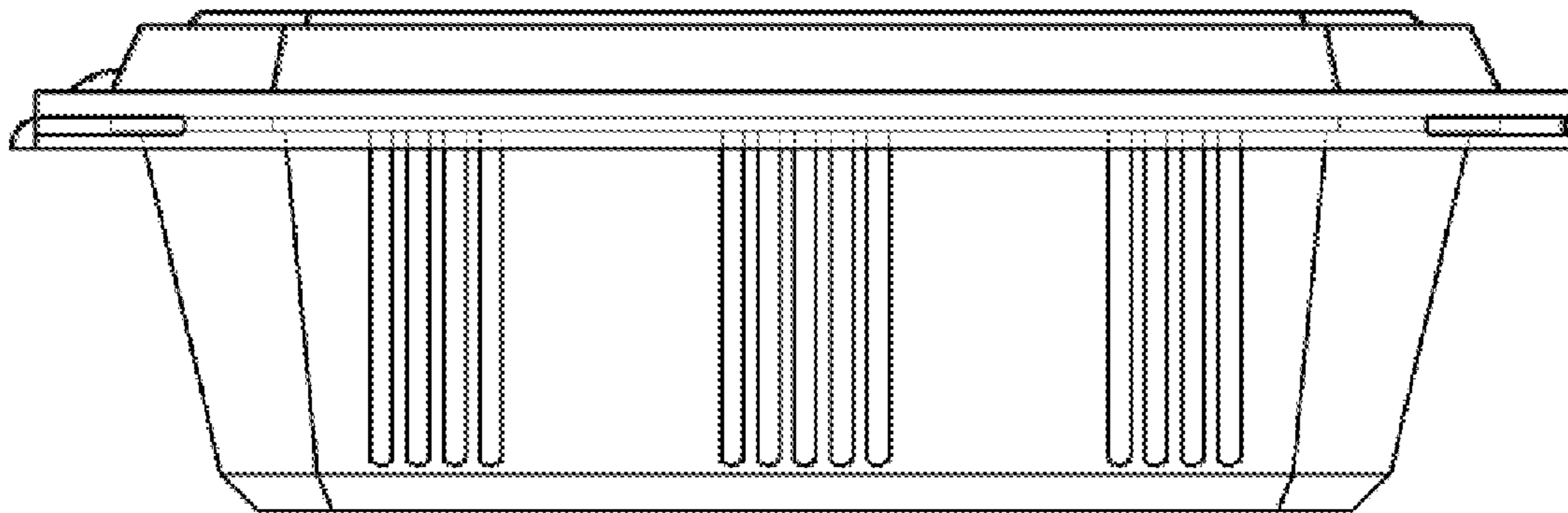


FIG. 4

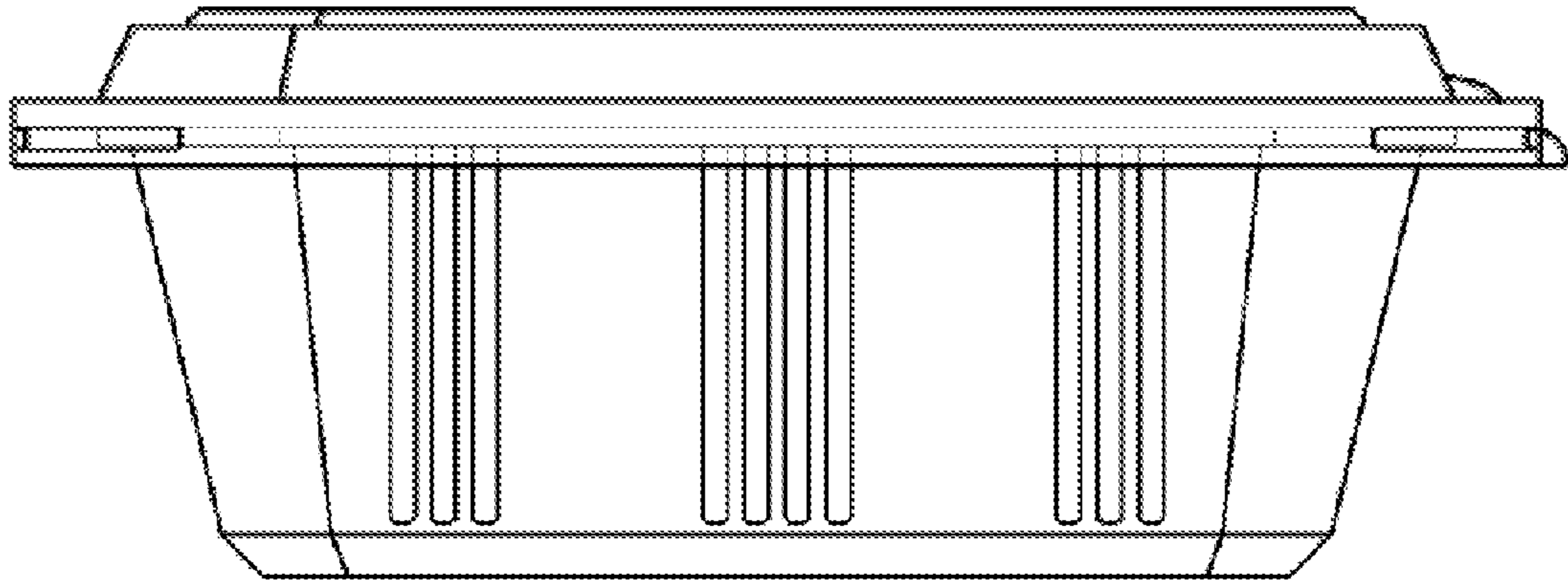


FIG. 5

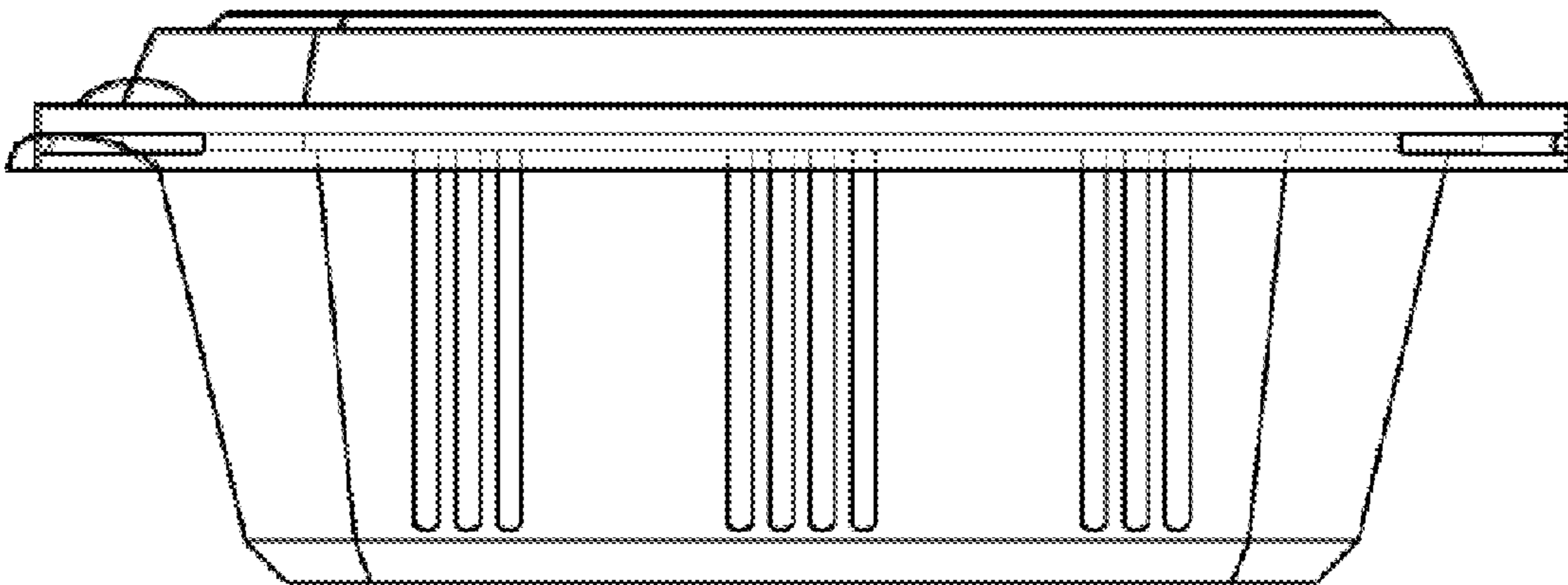


FIG. 6

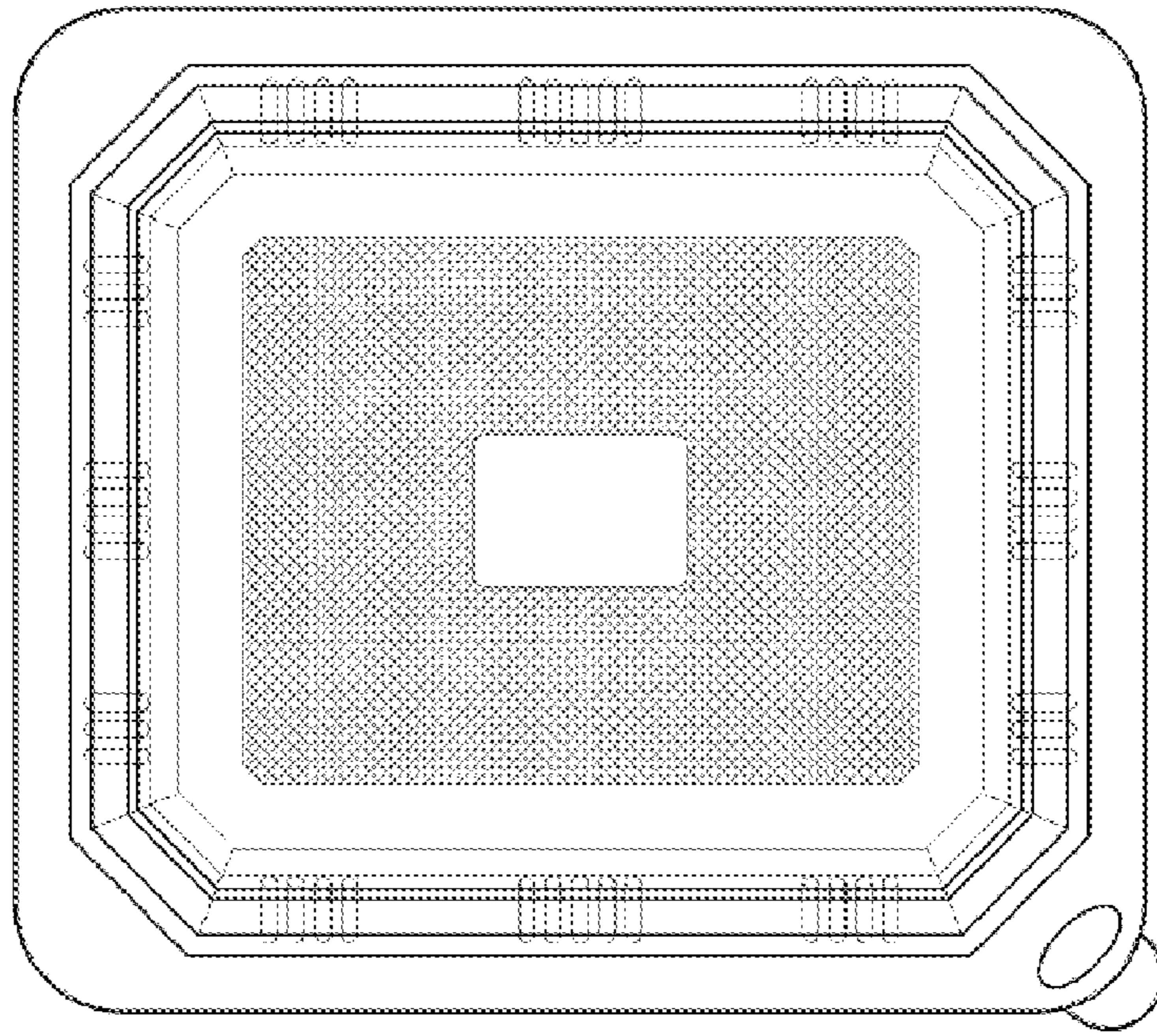


FIG. 7

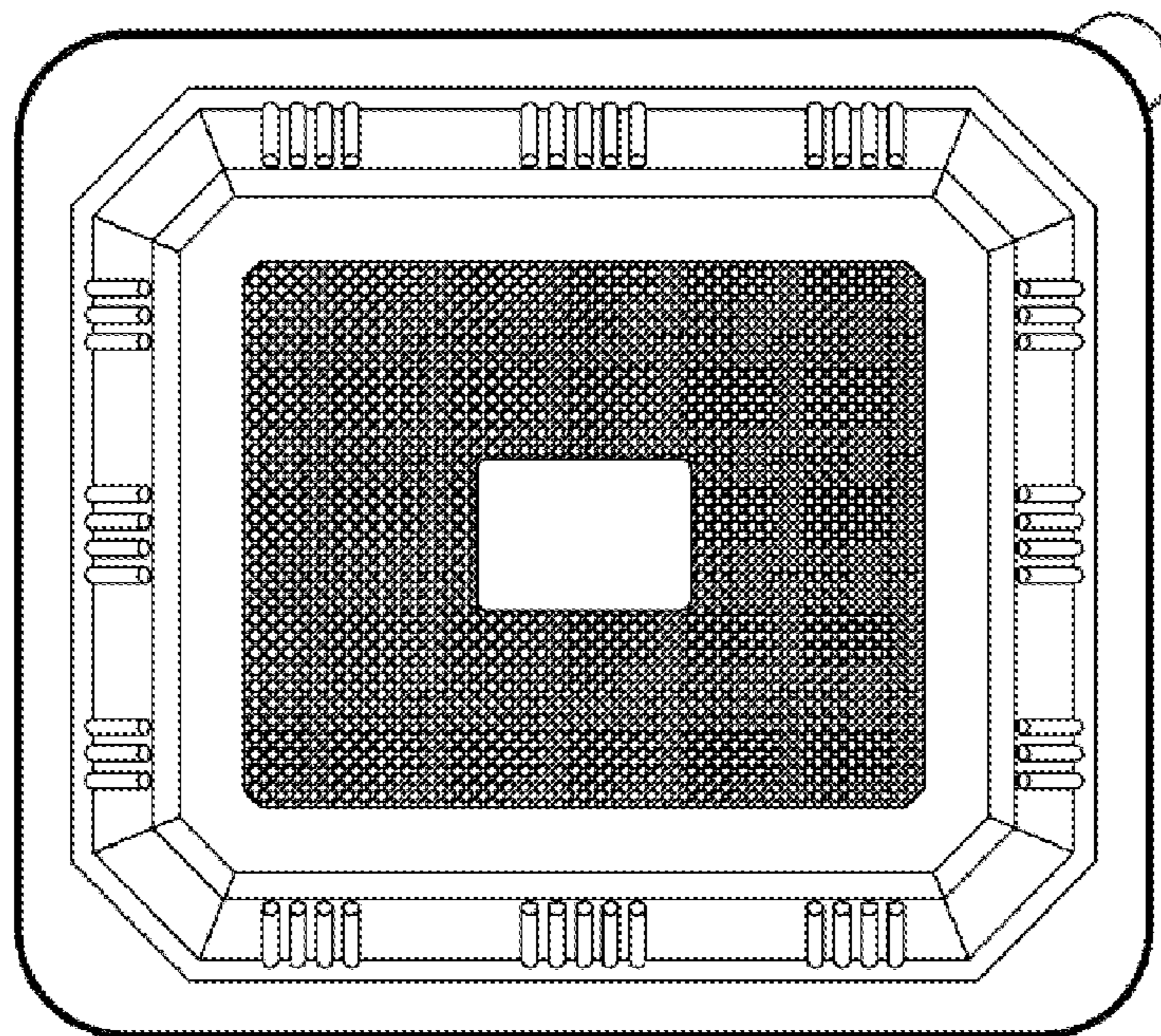


FIG. 8

