



US00D592016S

(12) **United States Design Patent**
Goodman et al.

(10) **Patent No.:** **US D592,016 S**

(45) **Date of Patent:** **** May 12, 2009**

(54) **COASTER HOLDER**

(75) Inventors: **Sheldon H. Goodman**, Solon, OH (US);
Omer I. Sazir, Cleveland, OH (US)

(73) Assignee: **Spectrum Diversified Designs, Inc.**,
Streetsboro, OH (US)

(**) Term: **14 Years**

(21) Appl. No.: **29/306,389**

(22) Filed: **Apr. 9, 2008**

(51) **LOC (9) Cl.** **07-06**

(52) **U.S. Cl.** **D7/624.1**

(58) **Field of Classification Search** D7/601,
D7/619.1, 624.1, 637, 640, 641, 388; D24/227,
D24/228; 211/41.1, 41.2, 41.7, 60.1, 70.6,
211/70.7, 74-75; 248/37.3, 37.6, 176.1,
248/176.2; D6/524-525, 527, 529, 531-532,
D6/535-536, 540, 553, 556, 567, 574, 462
See application file for complete search history.

(56) **References Cited**

U.S. PATENT DOCUMENTS

D240,105 S * 6/1976 Boyed et al. D7/388
D330,648 S * 11/1992 Lippert D6/462
D336,927 S * 6/1993 Samuels et al. D19/90

D377,996 S * 2/1997 Gilbert D28/38
D405,652 S * 2/1999 Tsoi D7/624.1
D439,077 S * 3/2001 Knauf D6/462
D517,870 S * 3/2006 Perkins D7/637

* cited by examiner

Primary Examiner—Charles A Rademaker

Assistant Examiner—Dana L Sipos

(74) *Attorney, Agent, or Firm*—Pearne & Gordon LLP

(57) **CLAIM**

The ornamental design for a coaster holder, as shown and described.

DESCRIPTION

FIG. 1 is a perspective view of a coaster holder in accordance with our new design, and showing a coaster in dotted outline that forms no part of the claimed design;

FIG. 2 is a front elevational view thereof;

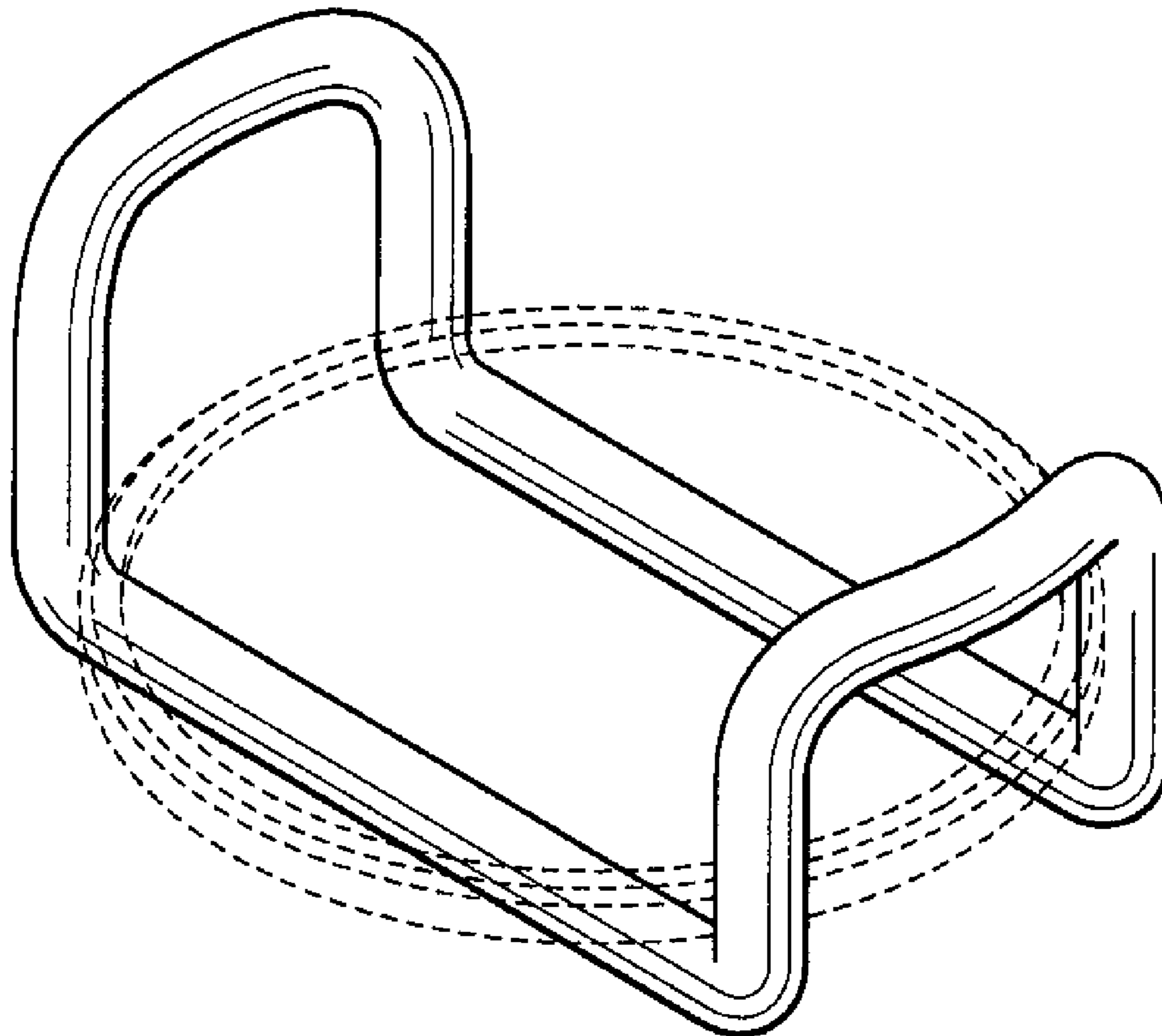
FIG. 3 is a side elevational view thereof;

FIG. 4 is a top plan view thereof; and,

FIG. 5 is a bottom plan view thereof.

The dotted line disclosure of elements in FIG. 1 is for illustrative purposes only and forms no part of the claimed design.

1 Claim, 1 Drawing Sheet



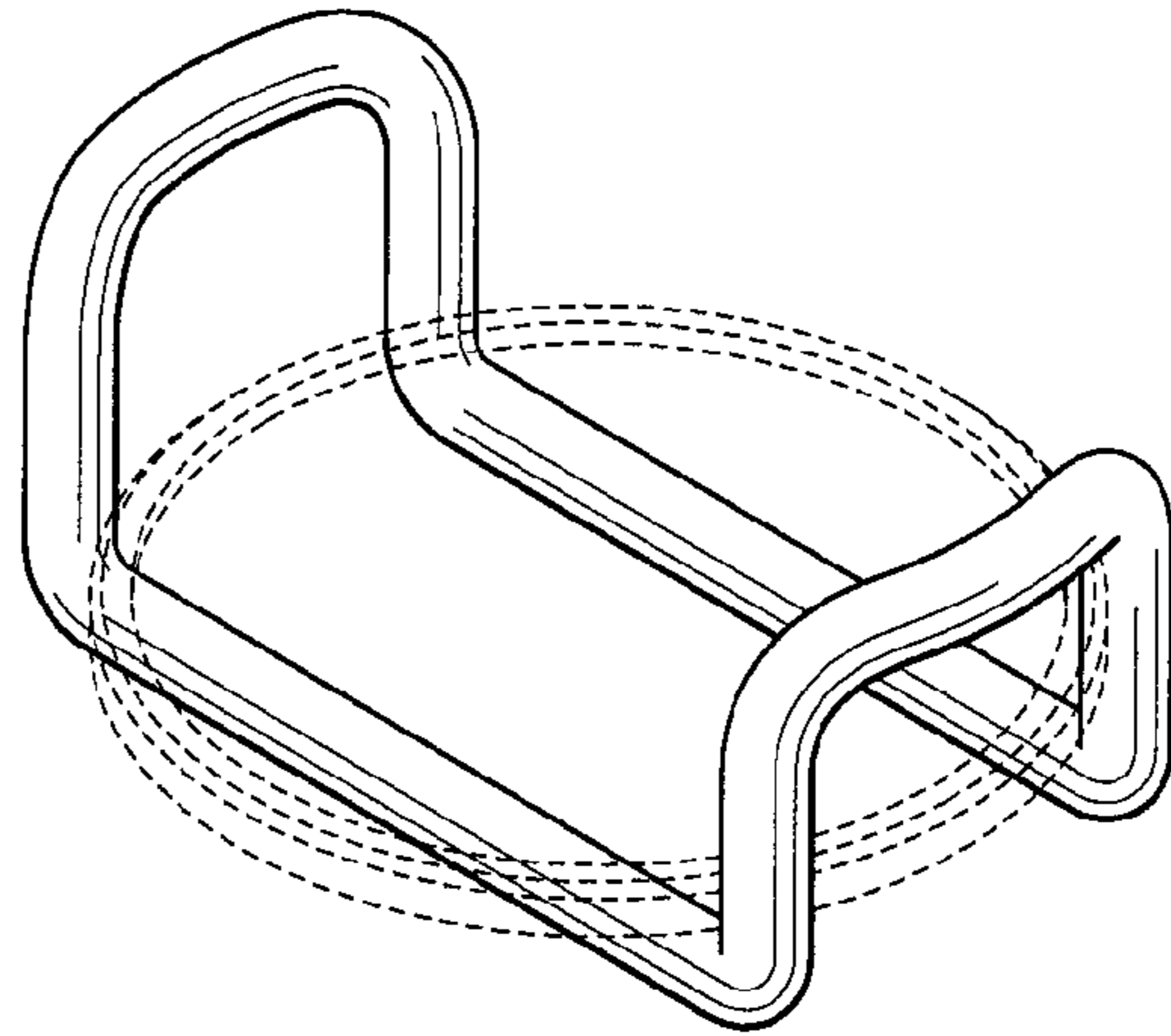


FIG. 1

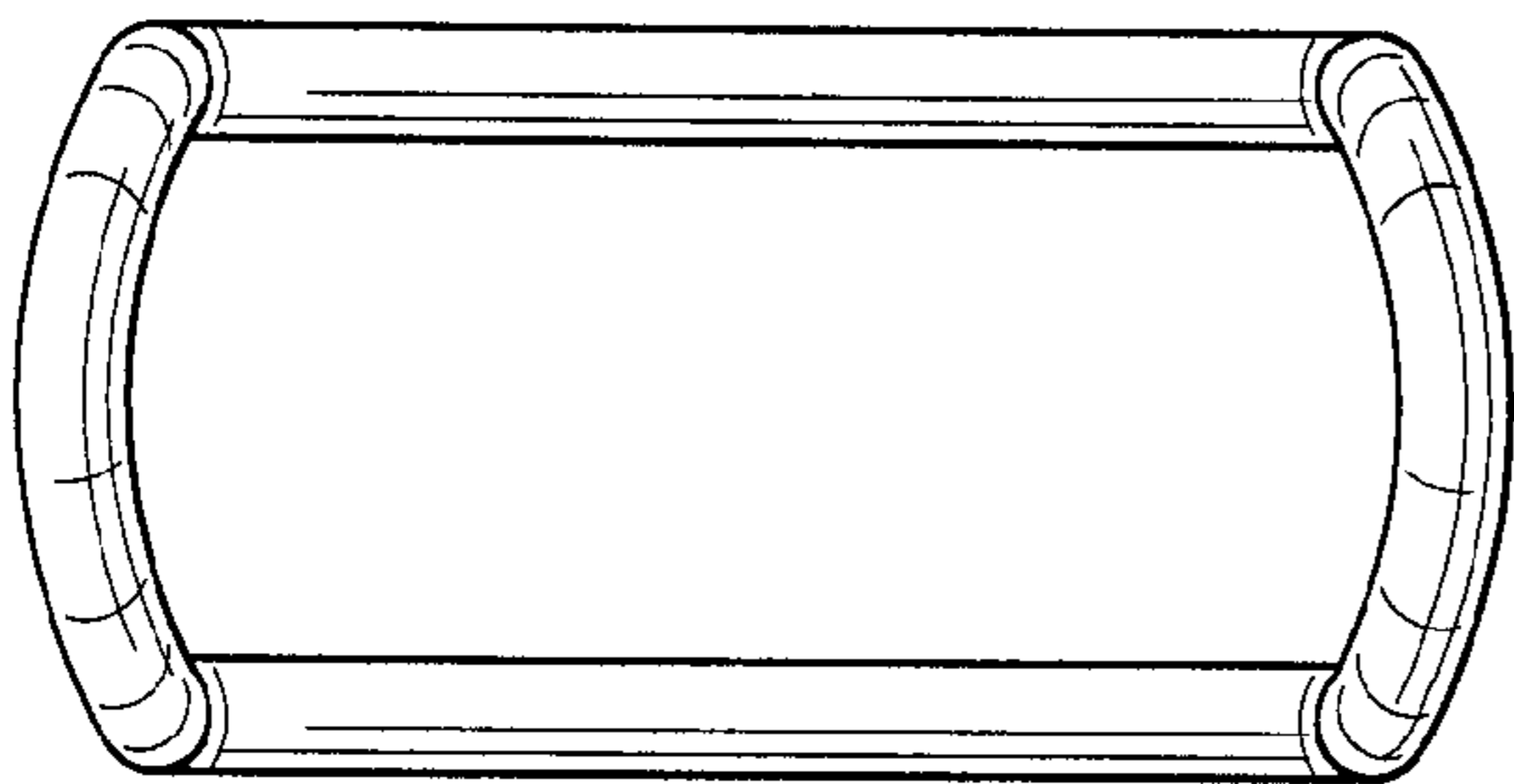


FIG. 4

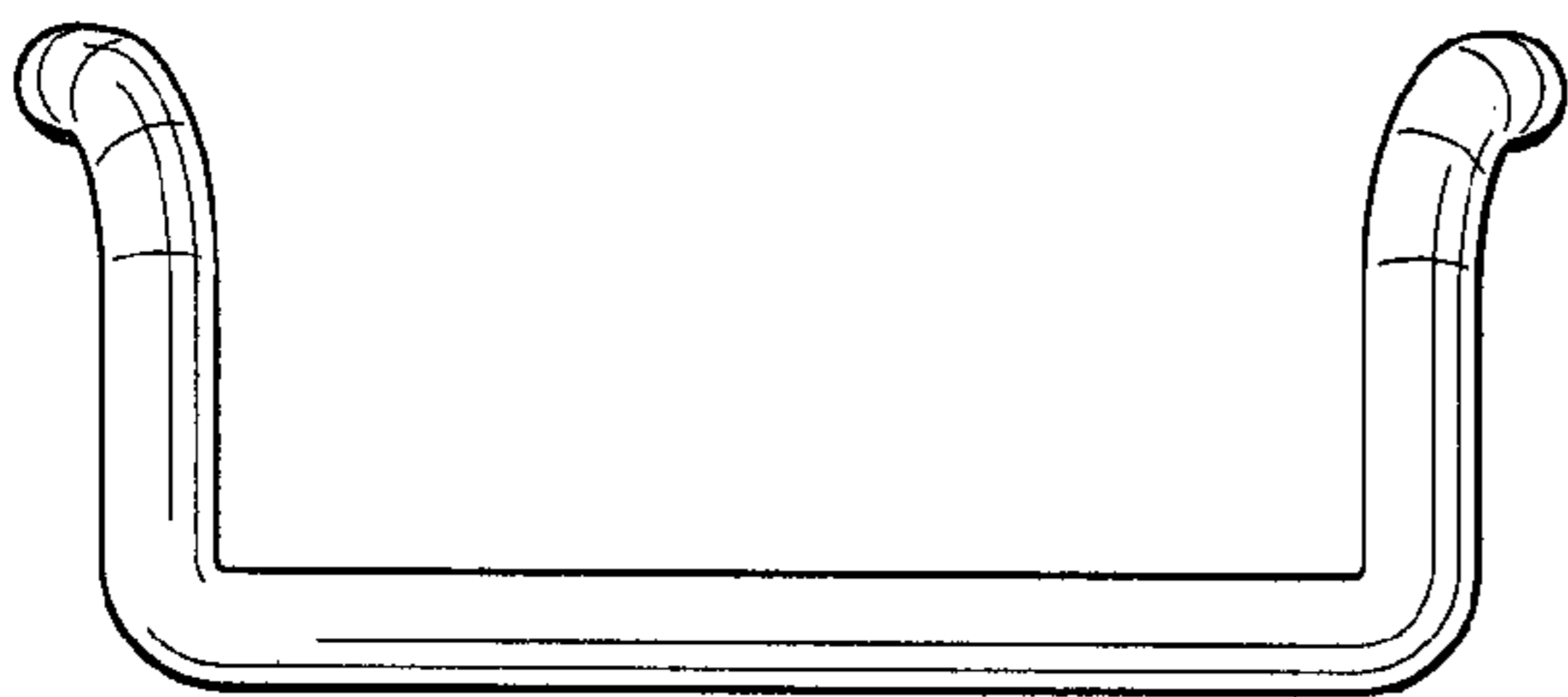


FIG. 2

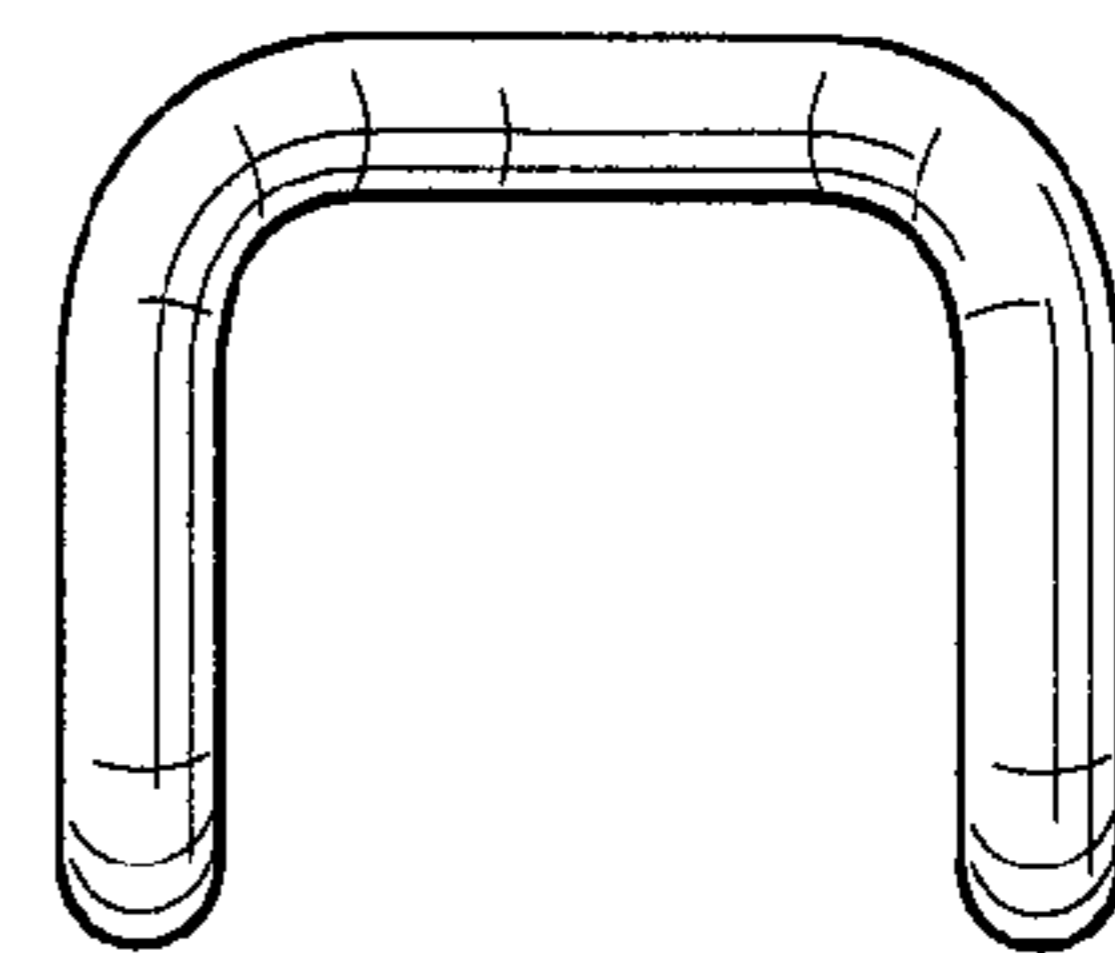


FIG. 3

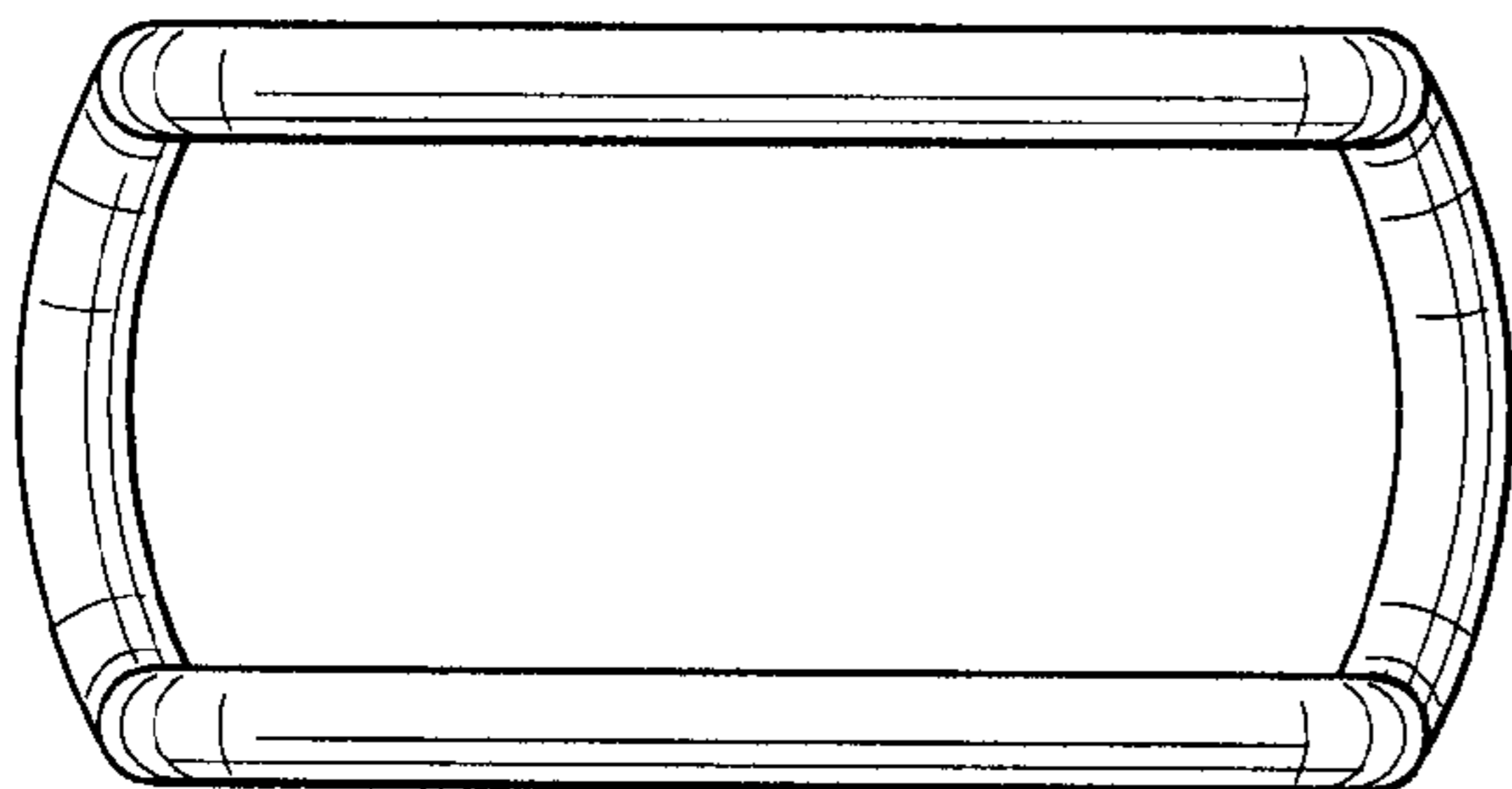


FIG. 5