



US00D592015S

(12) **United States Design Patent**
Carpenter

(10) **Patent No.:** **US D592,015 S**

(45) **Date of Patent:** **** May 12, 2009**

(54) **CONTAINER GRIPPING DEVICE**

(75) Inventor: **Toni Carpenter**, 721 W. Mineral Ave.,
#1918, Littleton, CO (US) 80120

(73) Assignee: **Toni Carpenter**, Littleton, CO (US)

(**) Term: **14 Years**

(21) Appl. No.: **29/324,999**

(22) Filed: **Sep. 24, 2008**

(51) **LOC (9) Cl.** **07-06**

(52) **U.S. Cl.** **D7/622**

(58) **Field of Classification Search** D7/619.1-625;
215/11.1, 396; 294/16, 31.2, 33; 220/758;
248/102; D24/199

See application file for complete search history.

(56) **References Cited**

U.S. PATENT DOCUMENTS

844,239	A *	2/1907	Bogel	294/16
3,718,360	A *	2/1973	Knutzen	294/27.1
D298,970	S *	12/1988	Dirks	D24/199
4,795,202	A *	1/1989	Mader	294/16
4,943,017	A *	7/1990	Ennis	248/102

D336,827 S * 6/1993 Knight D7/622
2005/0218109 A1 * 10/2005 Semersky et al. 215/396

* cited by examiner

Primary Examiner—Terry A Wallace

(74) *Attorney, Agent, or Firm*—P. G. Scott Born; Black Lowe
& Graham PLLC

(57) **CLAIM**

The ornamental design for a container gripping device, as shown and described.

DESCRIPTION

FIG. 1 is a top plan view of a container gripping device showing my new design;

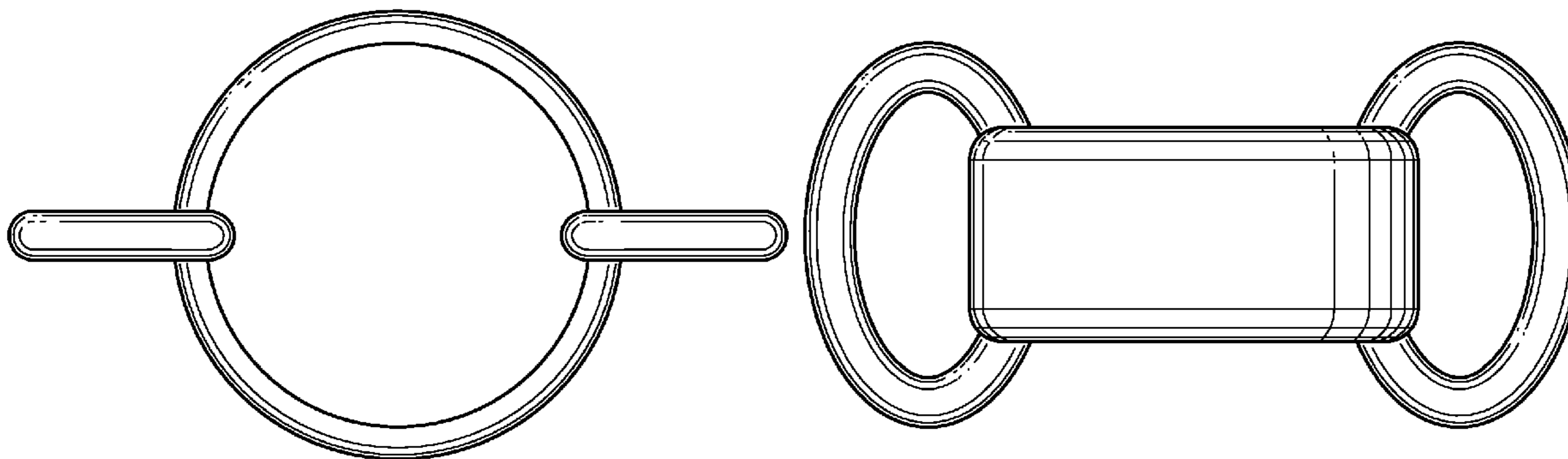
FIG. 2 is a front view thereof; and,

FIG. 3 is a front view thereof showing the device engaged with a container.

The bottom plan view is a mirror image of the top plan view. The back view is a mirror image of the front view.

The broken line showing is for illustrative purposes only and forms no part of the claimed design.

1 Claim, 2 Drawing Sheets



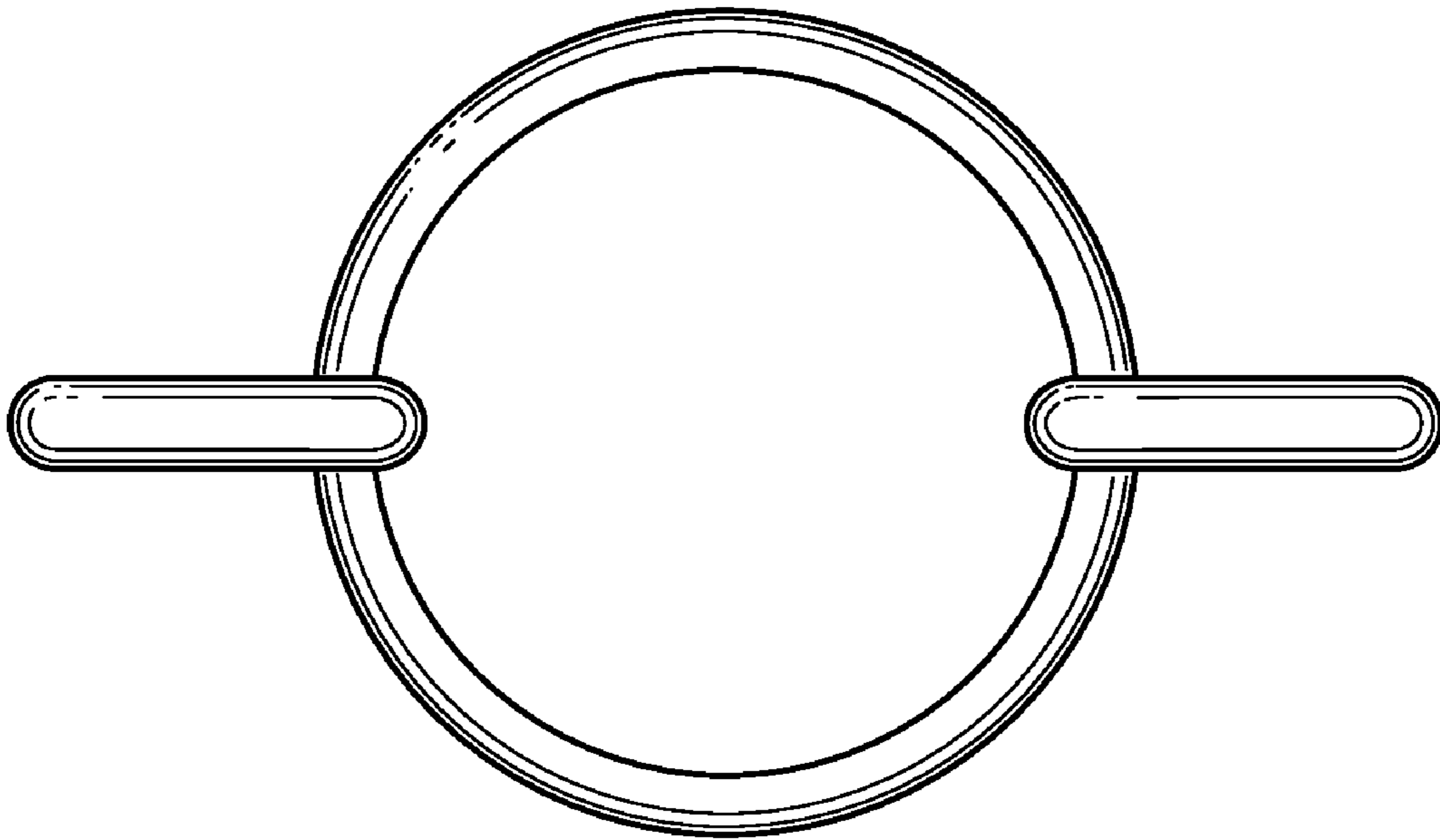


FIG. 1

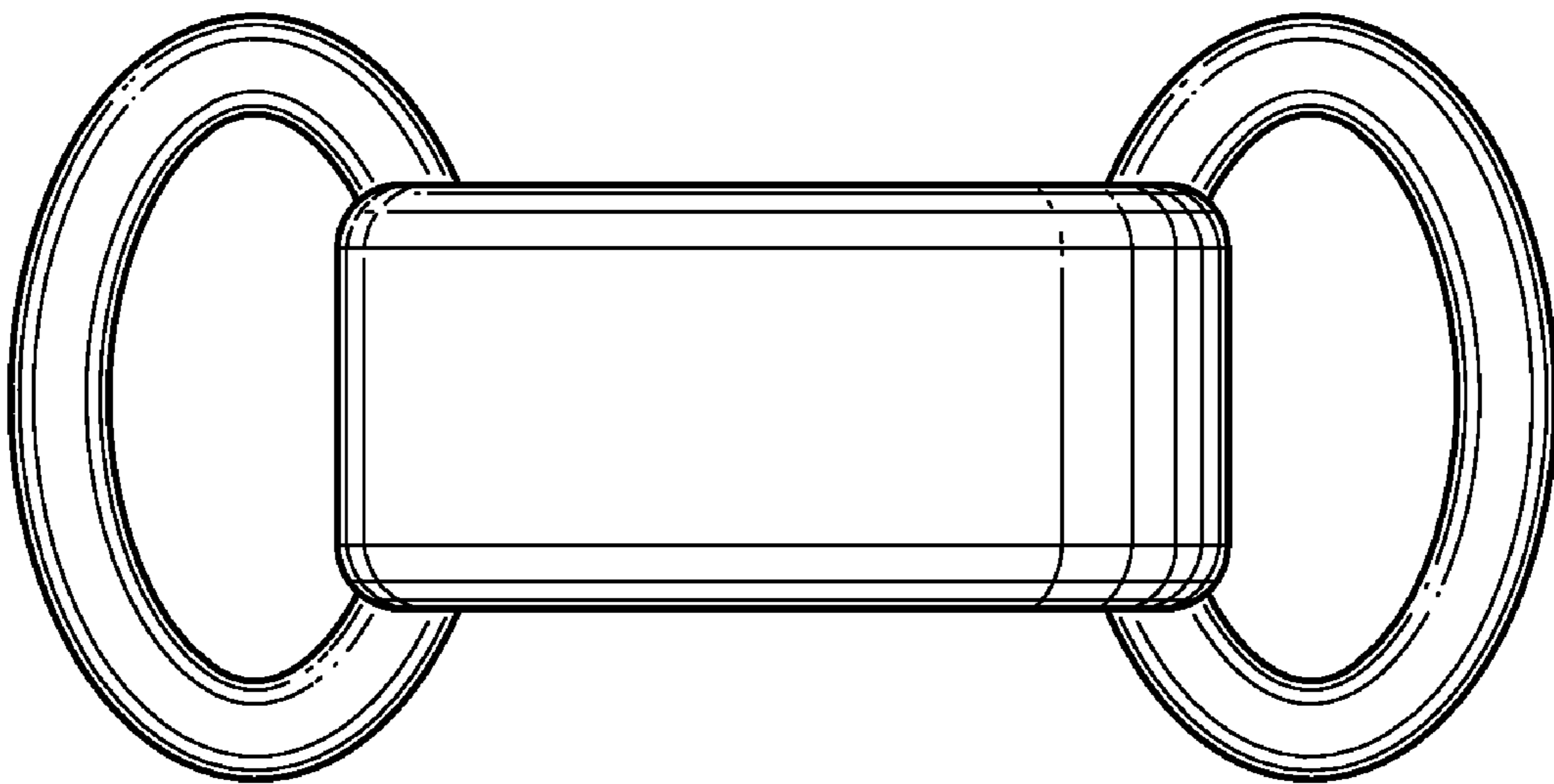


FIG. 2

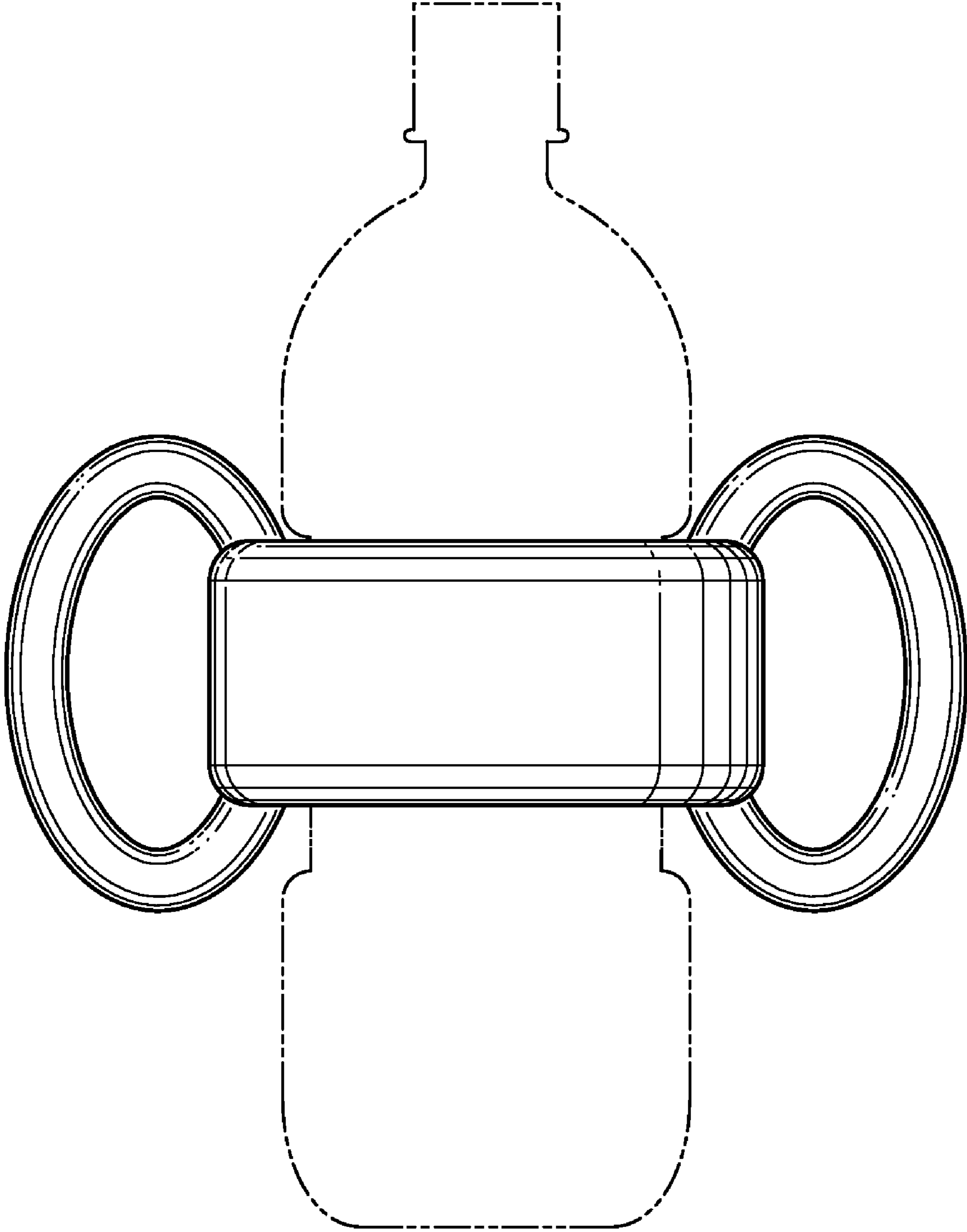


FIG. 3