

US00D592014S

(12) **United States Design Patent**
Bizzell et al.

(10) **Patent No.:** **US D592,014 S**
(45) **Date of Patent:** **** May 12, 2009**

(54) **SERVING TRAY**

(75) Inventors: **Daniel Lee Bizzell**, Davidson, NC (US);
Ian Kovacevich, Charlotte, NC (US);
David Berglund, Marvin, NC (US);
Carole Ruffin, Charlotte, NC (US)

(73) Assignee: **Edison Nation, LLC**, Charlotte, NC (US)

(**) Term: **14 Years**

(21) Appl. No.: **29/304,335**

(22) Filed: **Feb. 28, 2008**

(51) **LOC (9) Cl.** **07-01**

(52) **U.S. Cl.** **D7/553.4**

(58) **Field of Classification Search** D7/500,
D7/505, 540, 555, 560, 554.2, 566, 584, 585,
D7/587, 570, 567, 543, 553.2, 553.4, 769;
229/401; 220/574.1, 575, 561

See application file for complete search history.

(56) **References Cited**

U.S. PATENT DOCUMENTS

948,434 A * 2/1910 Scoot 220/575
1,595,356 A * 8/1926 Moseman 220/575
D154,224 S * 6/1949 Tweet D7/553.5

D185,911 S * 8/1959 Chadbourne et al. D7/555
2,951,610 A * 9/1960 Smalley, Jr. 220/575
D232,294 S * 8/1974 Christian et al. D7/555
D291,042 S * 7/1987 Fahey et al. D7/555
4,732,274 A * 3/1988 Bouton 206/561
5,593,062 A * 1/1997 Martin 220/574.1
D399,095 S * 10/1998 Schmidt D7/553.2
D426,110 S * 6/2000 Schmidt D7/553.4
D572,540 S * 7/2008 Shew et al. D7/629
D572,541 S * 7/2008 Shew et al. D7/629

* cited by examiner

Primary Examiner—Charles A Rademaker

(74) *Attorney, Agent, or Firm*—Tillman Wright, PLLC; Chad D. Tillman; James D. Wright

(57) **CLAIM**

The ornamental design for a serving tray, as shown and described.

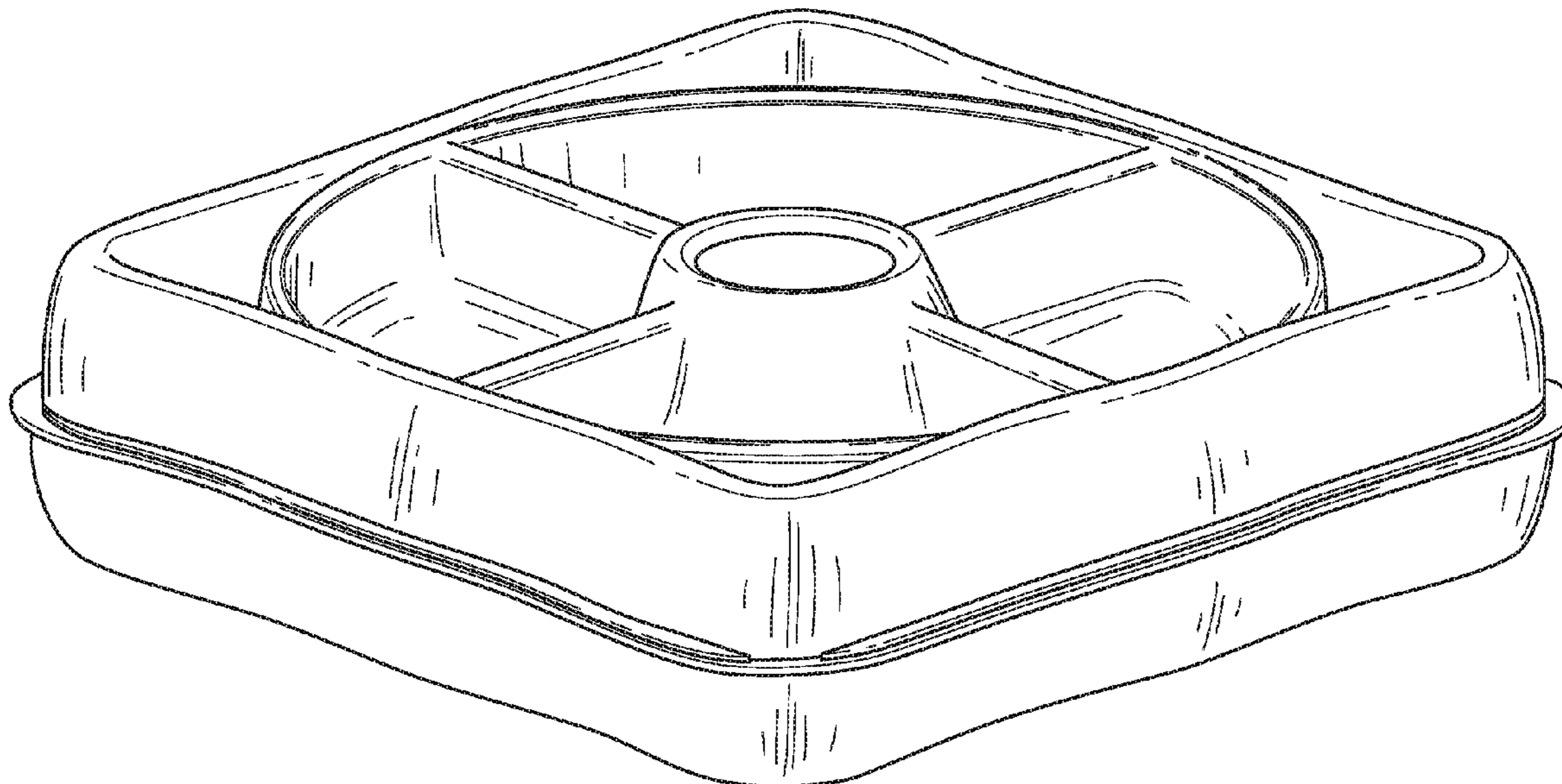
DESCRIPTION

FIG. 1 is a top and side perspective view of a serving tray showing our new design;

FIG. 2 is a top plan view thereof; and,

FIG. 3 is a side elevation thereof, the other sides being identical.

1 Claim, 3 Drawing Sheets



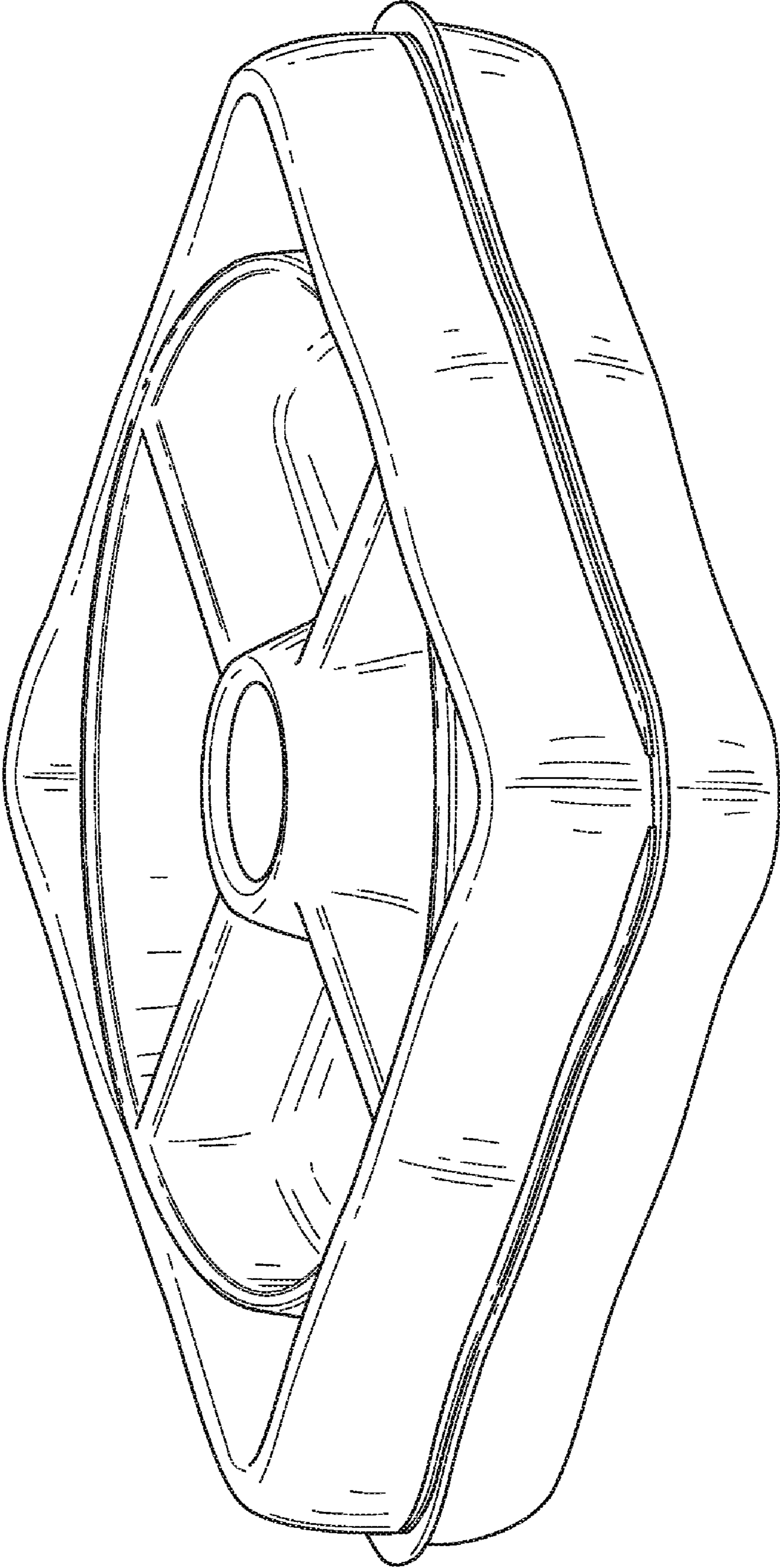


FIG. 1

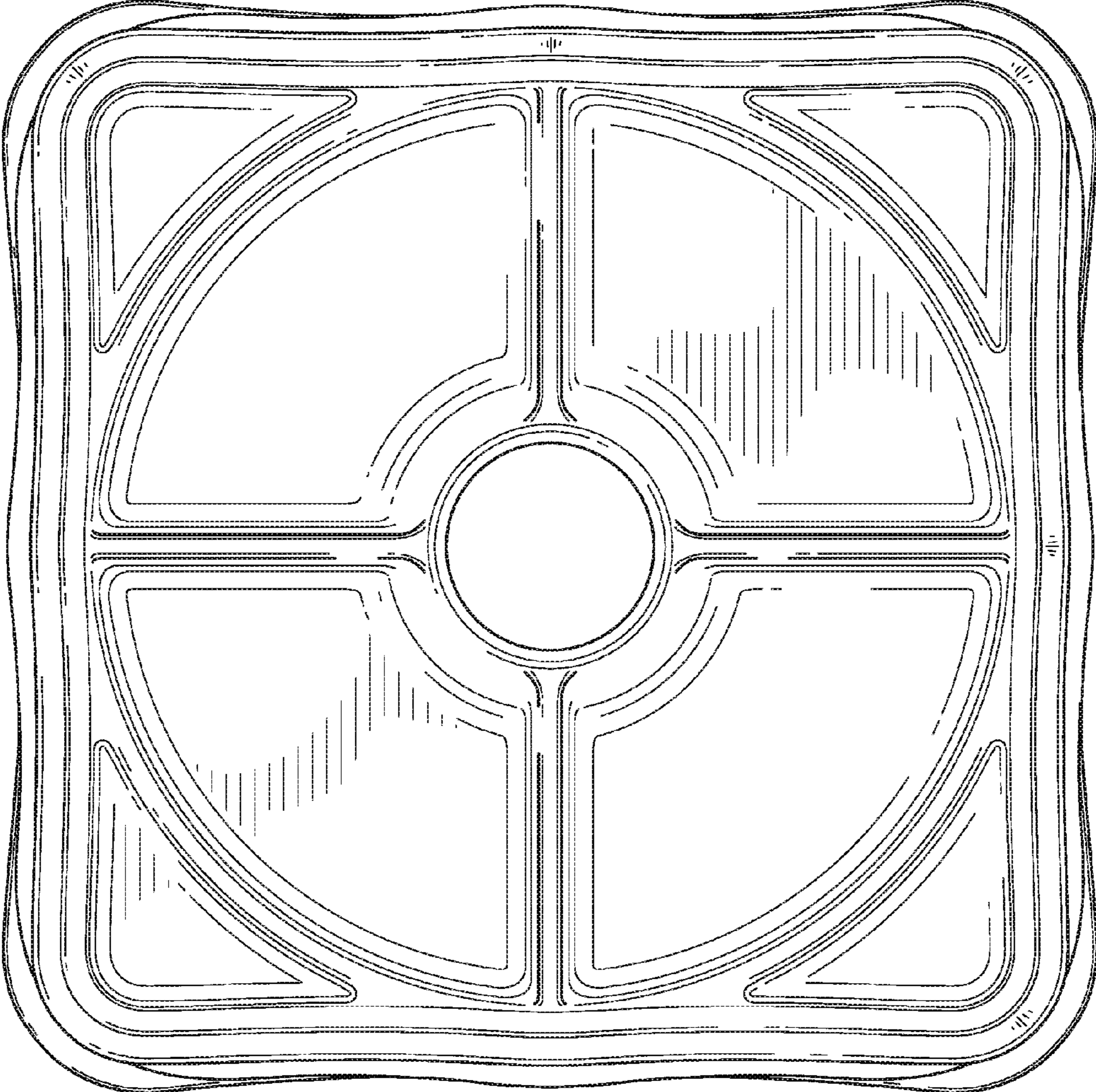


FIG. 2

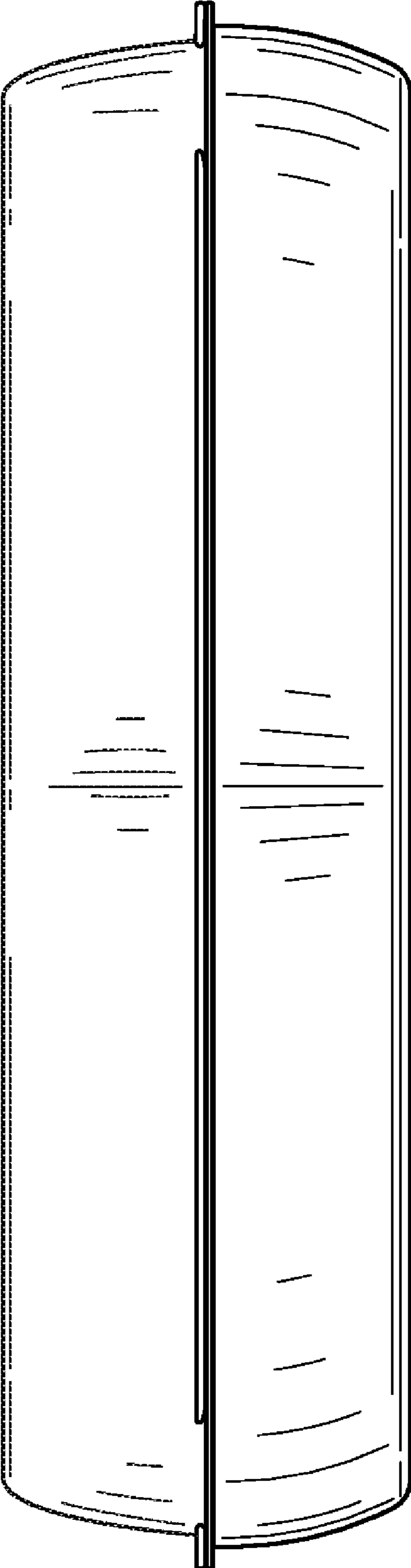


FIG. 3