



US00D592013S

(12) **United States Design Patent**
Bizzell et al.

(10) **Patent No.:** **US D592,013 S**

(45) **Date of Patent:** **** May 12, 2009**

(54) **SERVING TRAY**

(75) Inventors: **Daniel Lee Bizzell**, Davidson, NC (US);
Ian Kovacevich, Charlotte, NC (US);
David Berglund, Marvin, NC (US);
Carole Ruffin, Charlotte, NC (US)

(73) Assignee: **Edison Nation, LLC**, Charlotte, NC
(US)

(**) Term: **14 Years**

(21) Appl. No.: **29/304,332**

(22) Filed: **Feb. 28, 2008**

1,595,356 A *	8/1926	Moseman	220/575
D154,224 S *	6/1949	Tweet	D7/553.5
D185,911 S *	8/1959	Chadbourne et al.	D7/555
2,951,610 A *	9/1960	Smalley, Jr.	220/575
D232,294 S *	8/1974	Christian et al.	D7/555
D291,042 S *	7/1987	Fahey et al.	D7/555
4,732,274 A *	3/1988	Bouton	206/561
5,593,062 A *	1/1997	Martin	220/574.1
D399,095 S *	10/1998	Schmidt	D7/553.2
D426,110 S *	6/2000	Schmidt	D7/553.4
D572,540 S *	7/2008	Shew et al.	D7/629
D572,541 S *	7/2008	Shew et al.	D7/629

Related U.S. Application Data

(63) Continuation of application No. 12/028,824, filed on Feb. 10, 2008, and a continuation of application No. 12/028,825, filed on Feb. 10, 2008, and a continuation of application No. 12/028,826, filed on Feb. 10, 2008, and a continuation of application No. 12/028,827, filed on Feb. 10, 2008, and a continuation of application No. 12/028,828, filed on Feb. 10, 2008, and a continuation of application No. 12/028,829, filed on Feb. 10, 2008.

(51) **LOC (9) Cl.** **07-01**

(52) **U.S. Cl.** **D7/553.4**

(58) **Field of Classification Search** D7/500,
D7/505, 540, 555, 560, 554.2, 566, 584, 585,
D7/587, 570, 567, 543, 553.2, 553.4, 769;
229/401; 220/574.1, 575, 561

See application file for complete search history.

(56) **References Cited**

U.S. PATENT DOCUMENTS

948,434 A * 2/1910 Scoot 220/575

* cited by examiner

Primary Examiner—Charles A Rademaker

(74) *Attorney, Agent, or Firm*—Tillman Wright, PLLC; Chad D. Tillman; James D. Wright

(57) **CLAIM**

The ornamental design for a serving tray, as shown and described.

DESCRIPTION

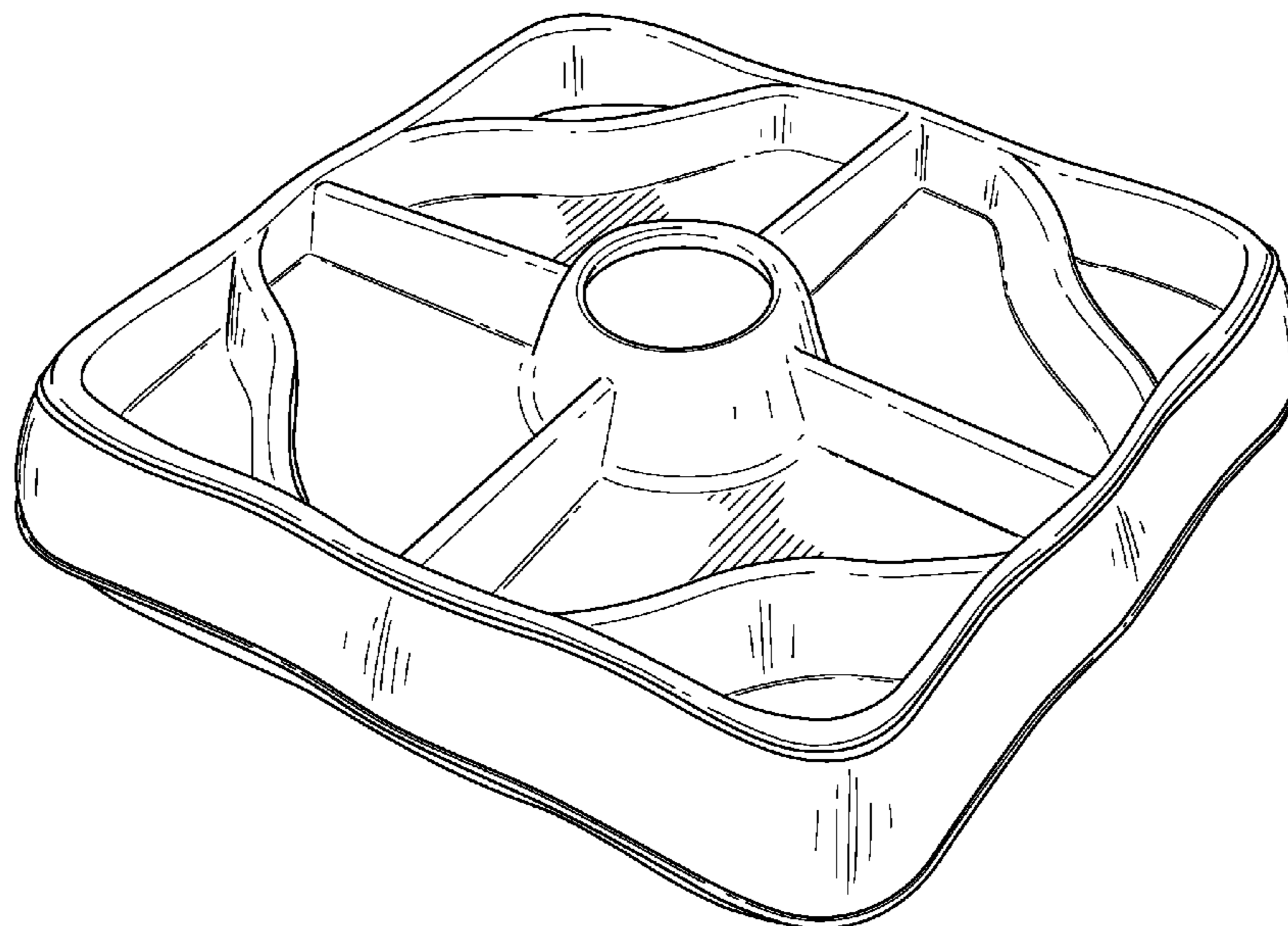
FIG. 1 is a top and side perspective view of a serving tray showing our new design;

FIG. 2 is a top plan view thereof;

FIG. 3 is a bottom plan view thereof; and,

FIG. 4 is a side elevation thereof, the other sides being identical.

1 Claim, 4 Drawing Sheets



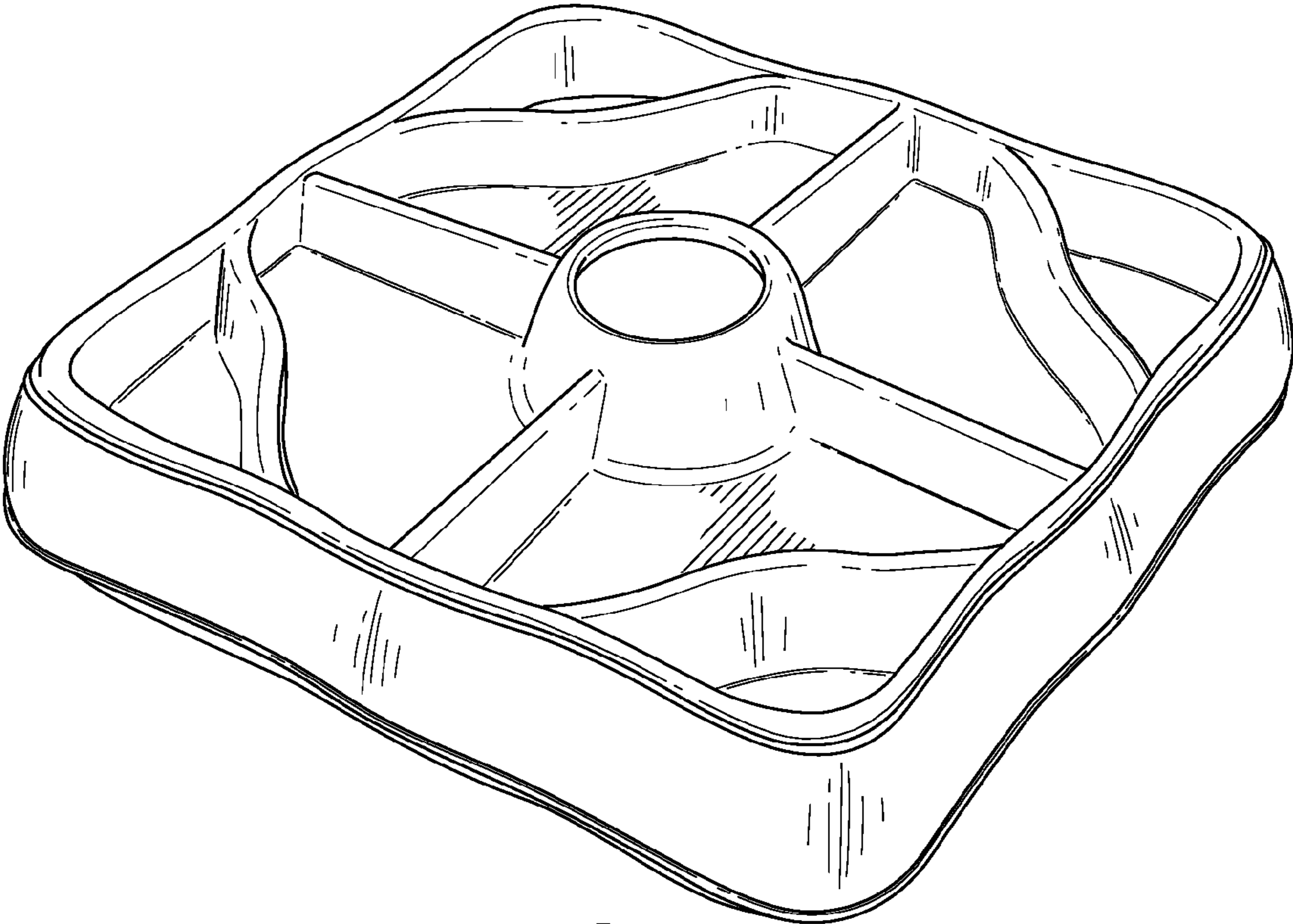


FIG. 1

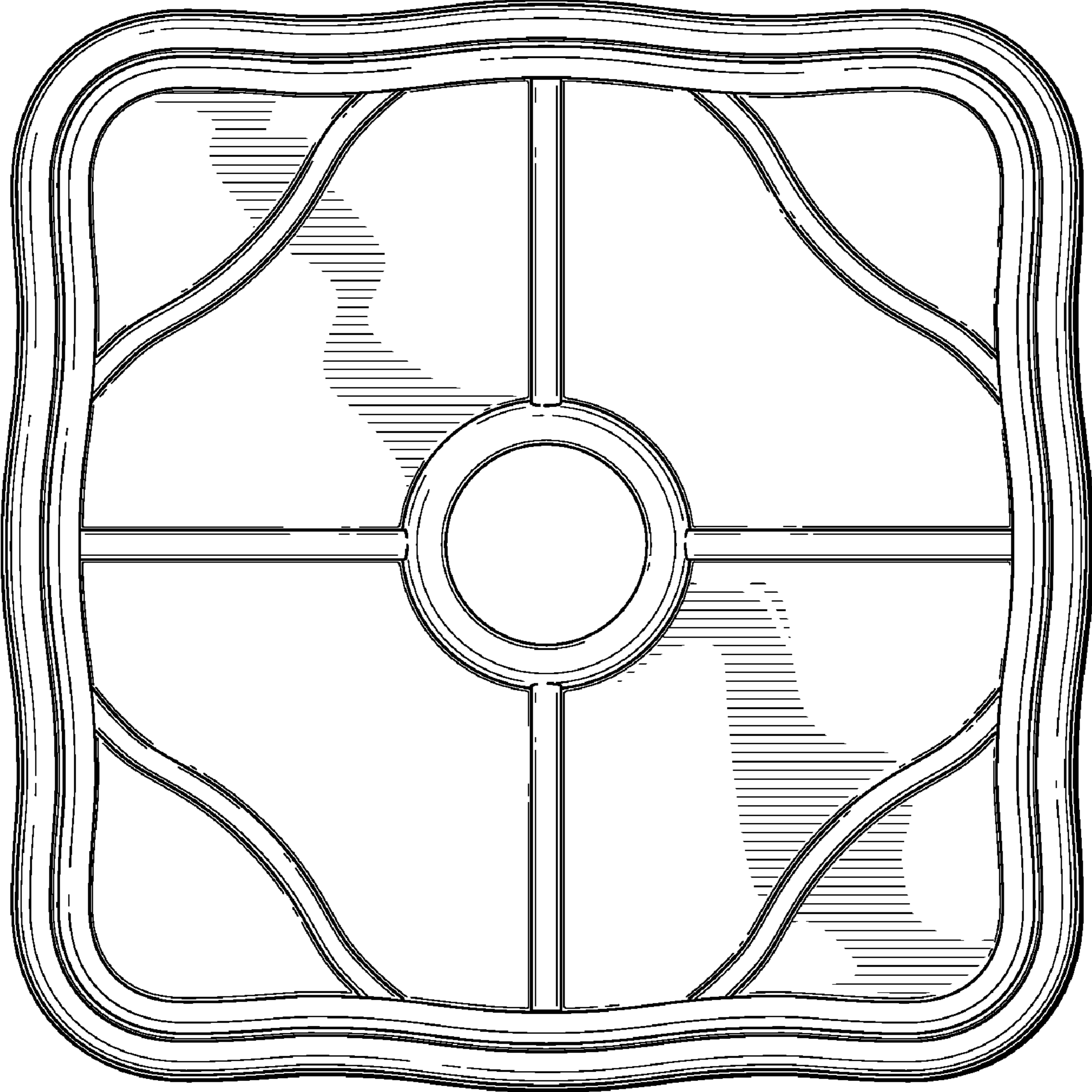


FIG. 2

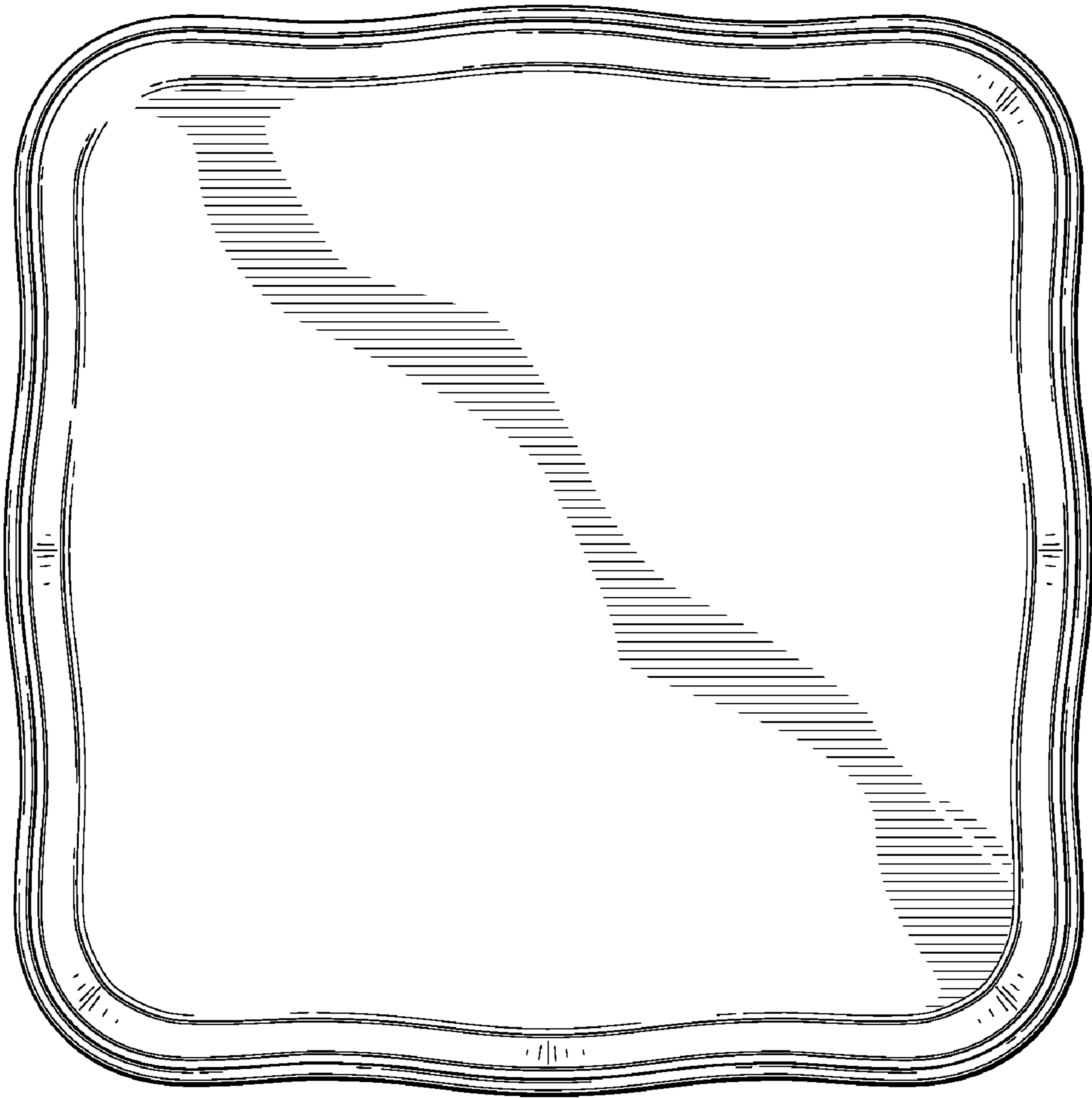


FIG. 3

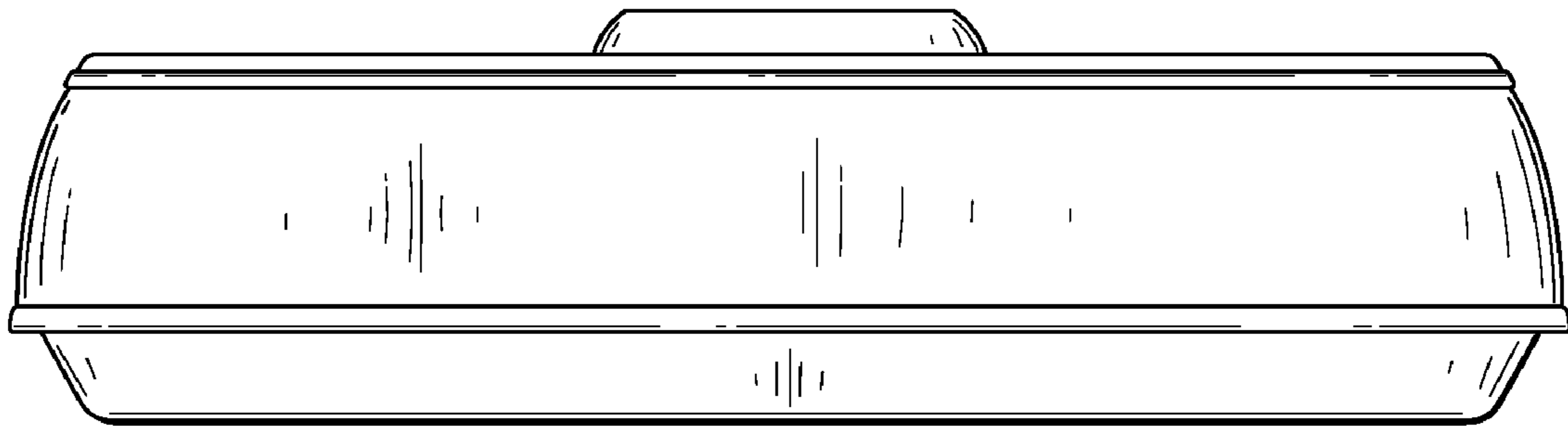


FIG. 4