



US00D592009S

(12) **United States Design Patent**
Crookshanks

(10) **Patent No.:** **US D592,009 S**

(45) **Date of Patent:** **** May 12, 2009**

(54) **PORTION OF AN APPLIANCE**

D568,682 S * 5/2008 Crookshanks D7/405
D571,149 S * 6/2008 Crookshanks D7/405

(75) Inventor: **Kent Allen Stephen Crookshanks**,
Anderson, SC (US)

* cited by examiner

(73) Assignee: **Electrolux Home Products, Inc.**,
Cleveland, OH (US)

Primary Examiner—Ruth McInroy
(74) *Attorney, Agent, or Firm*—Banner & Witcoff, Ltd.

(**) Term: **14 Years**

(57) **CLAIM**

(21) Appl. No.: **29/297,494**

The ornamental design for a portion of an appliance, as shown and described.

(22) Filed: **Nov. 13, 2007**

DESCRIPTION

(51) **LOC (9) Cl.** **07-02**

(52) **U.S. Cl.** **D7/405**

(58) **Field of Classification Search** D7/350.1–350.4,
D7/351, 402, 405; 126/19 M, 275 R, 275 E,
126/756–758, 386, 387, 21 A; D15/81; 99/327–328,
99/329 R, 331–332, 348, 357, 467, 448, 468,
99/483, 339; 366/98, 146; 219/393
See application file for complete search history.

FIG. 1 is a front perspective view of a portion of an appliance showing my new design;
FIG. 2 is a front view thereof;
FIG. 3 is a right side view thereof;
FIG. 4 is a left side view thereof;
FIG. 5 is a top view thereof; and
FIG. 6 is a bottom view thereof.

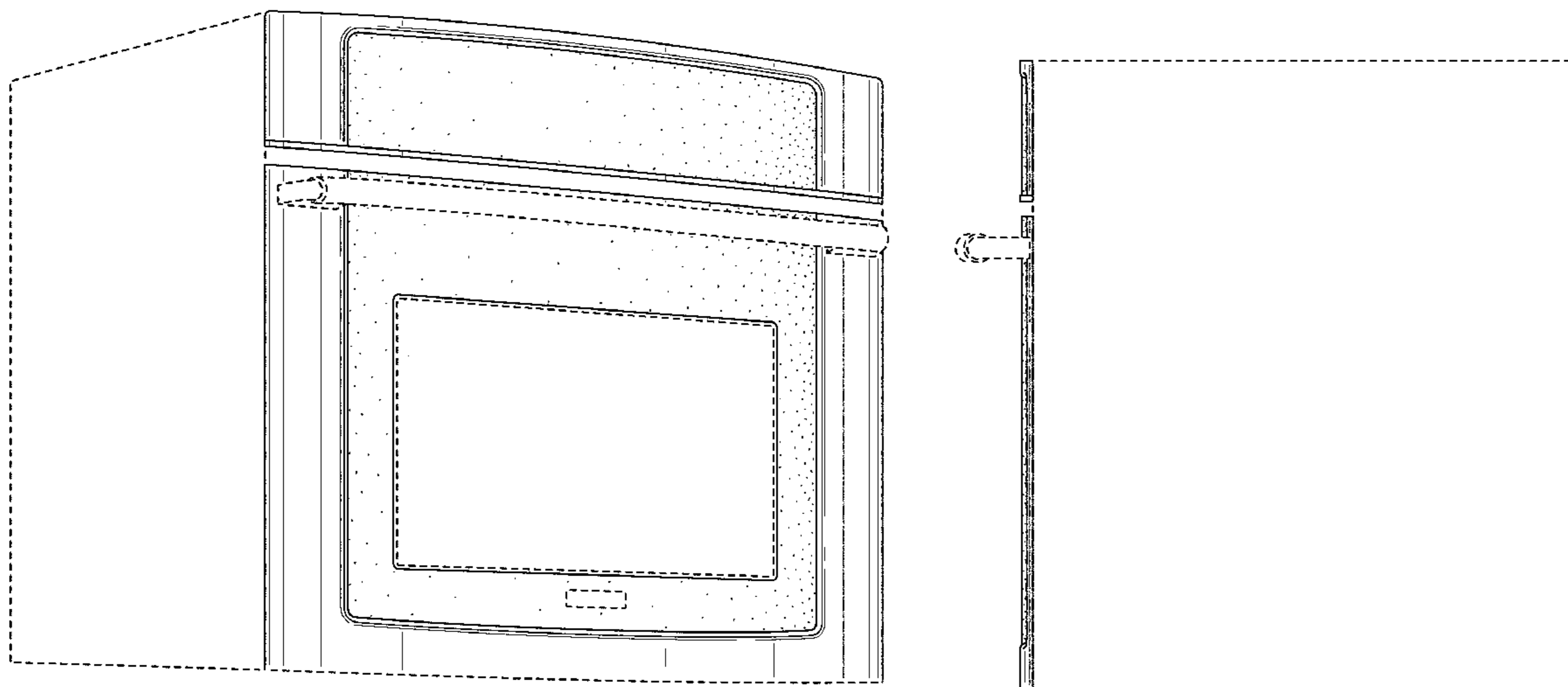
(56) **References Cited**

U.S. PATENT DOCUMENTS

D495,556 S * 9/2004 Milrud et al. D7/405
D521,805 S * 5/2006 Hessen et al. D7/405
D527,572 S * 9/2006 Lee et al. D7/350.1
D530,561 S * 10/2006 Kim D7/351
D541,578 S * 5/2007 Jeon D7/350.1

The difference in shading indicates a contrast of appearance and does not depict any particular color, texture, or material. The broken line showing of various regions, including the unshaded areas therein, is for illustrative purposes and forms no part of the claimed design.

1 Claim, 5 Drawing Sheets



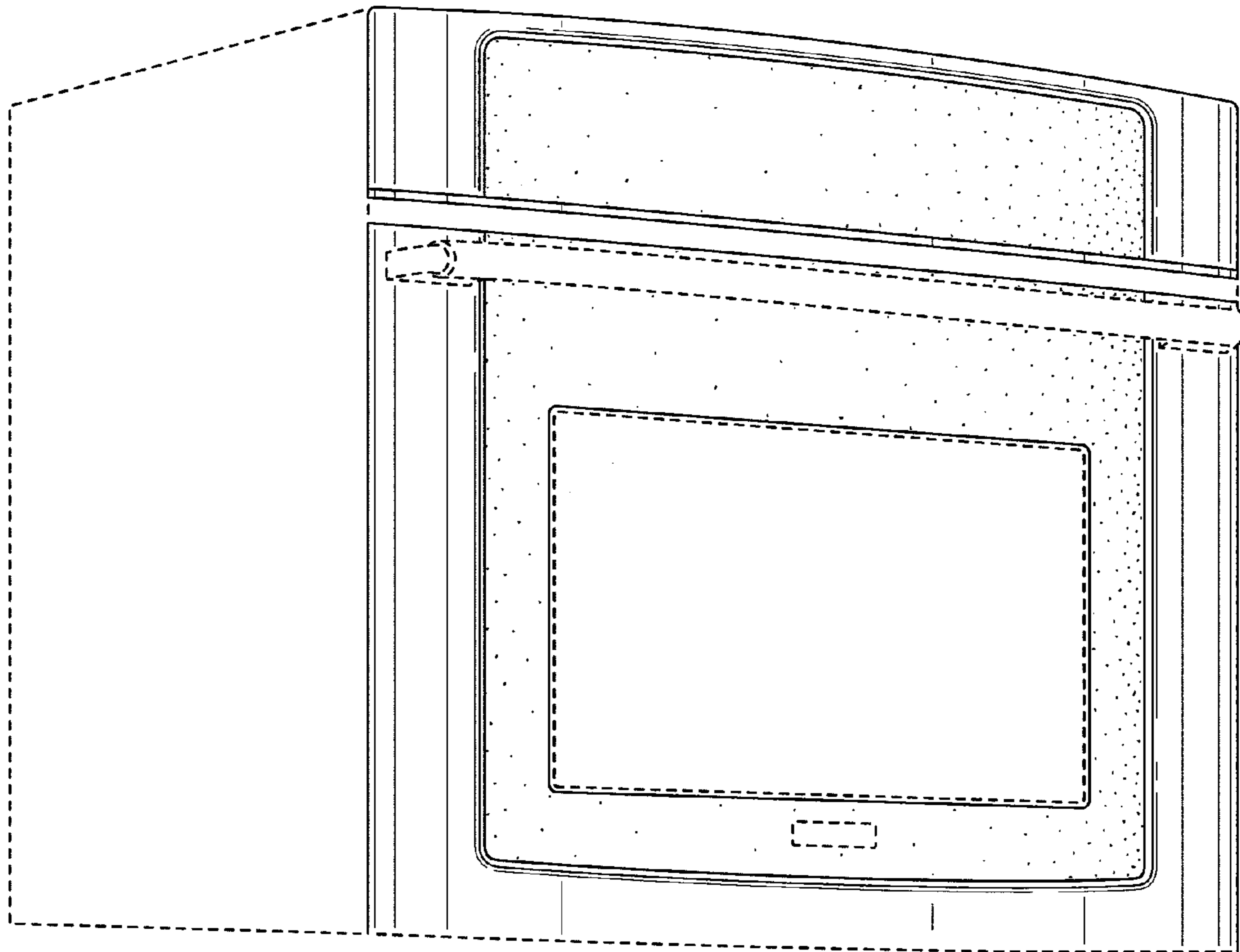


FIG. 1

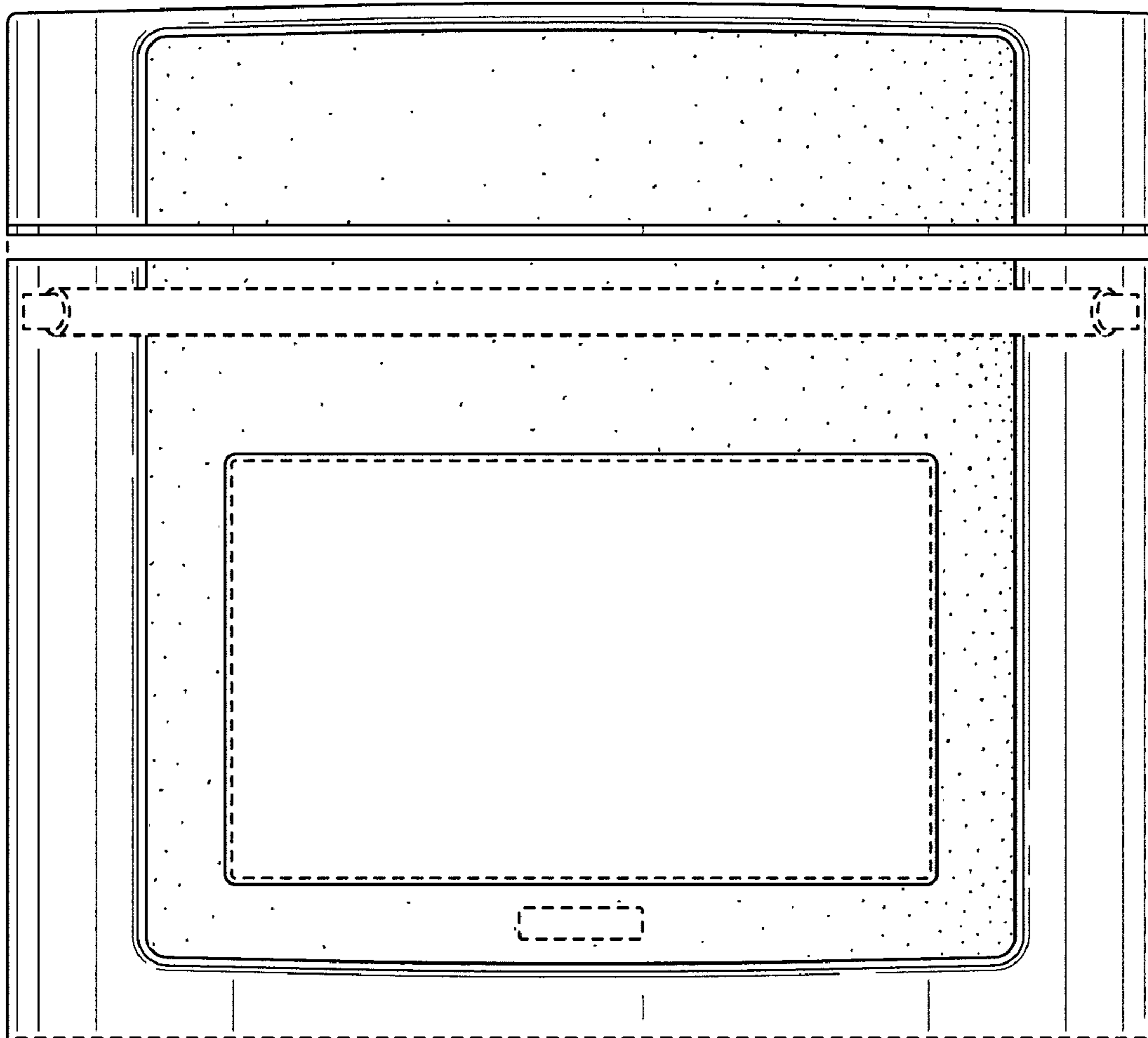


FIG. 2

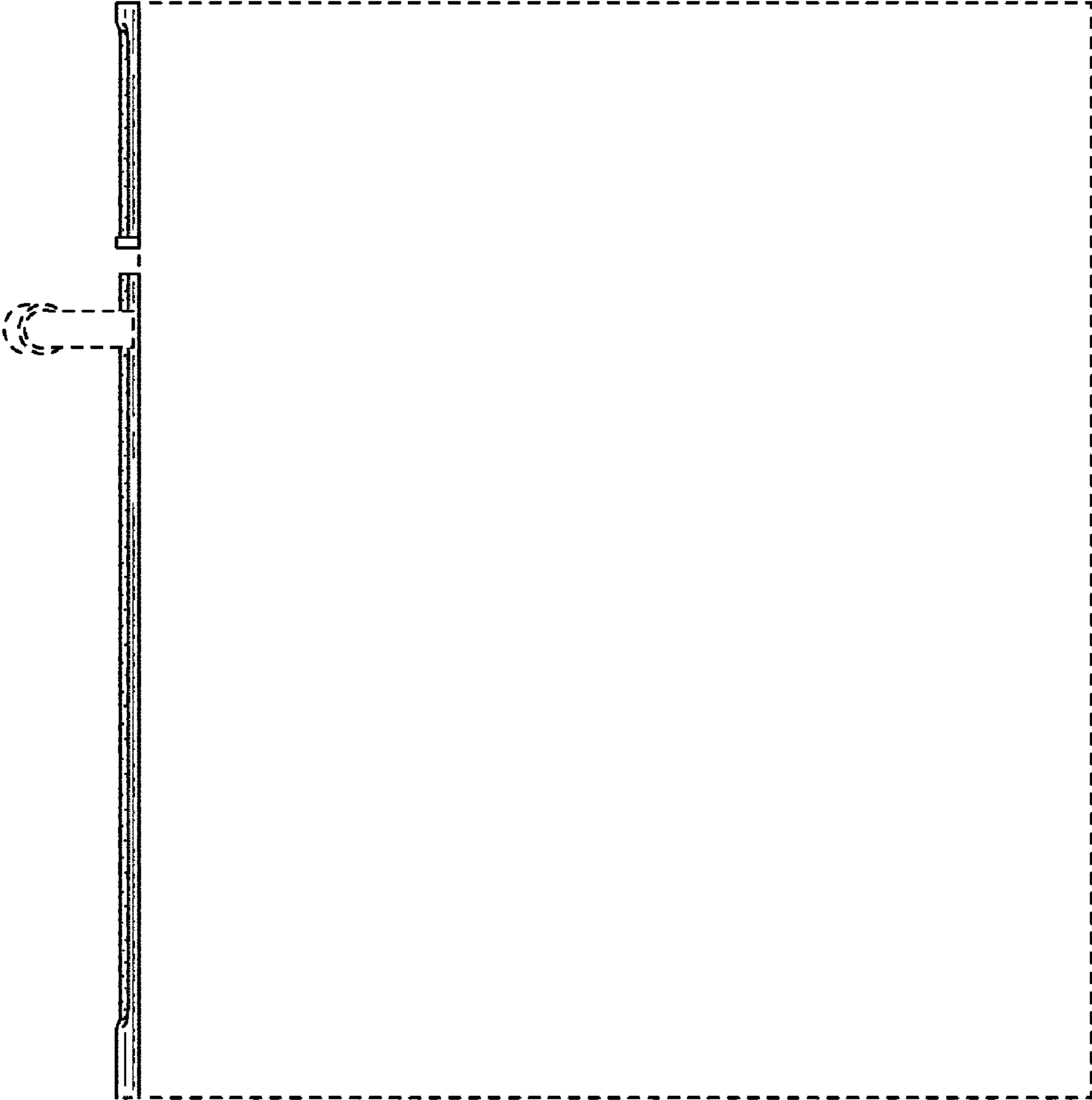


FIG. 3

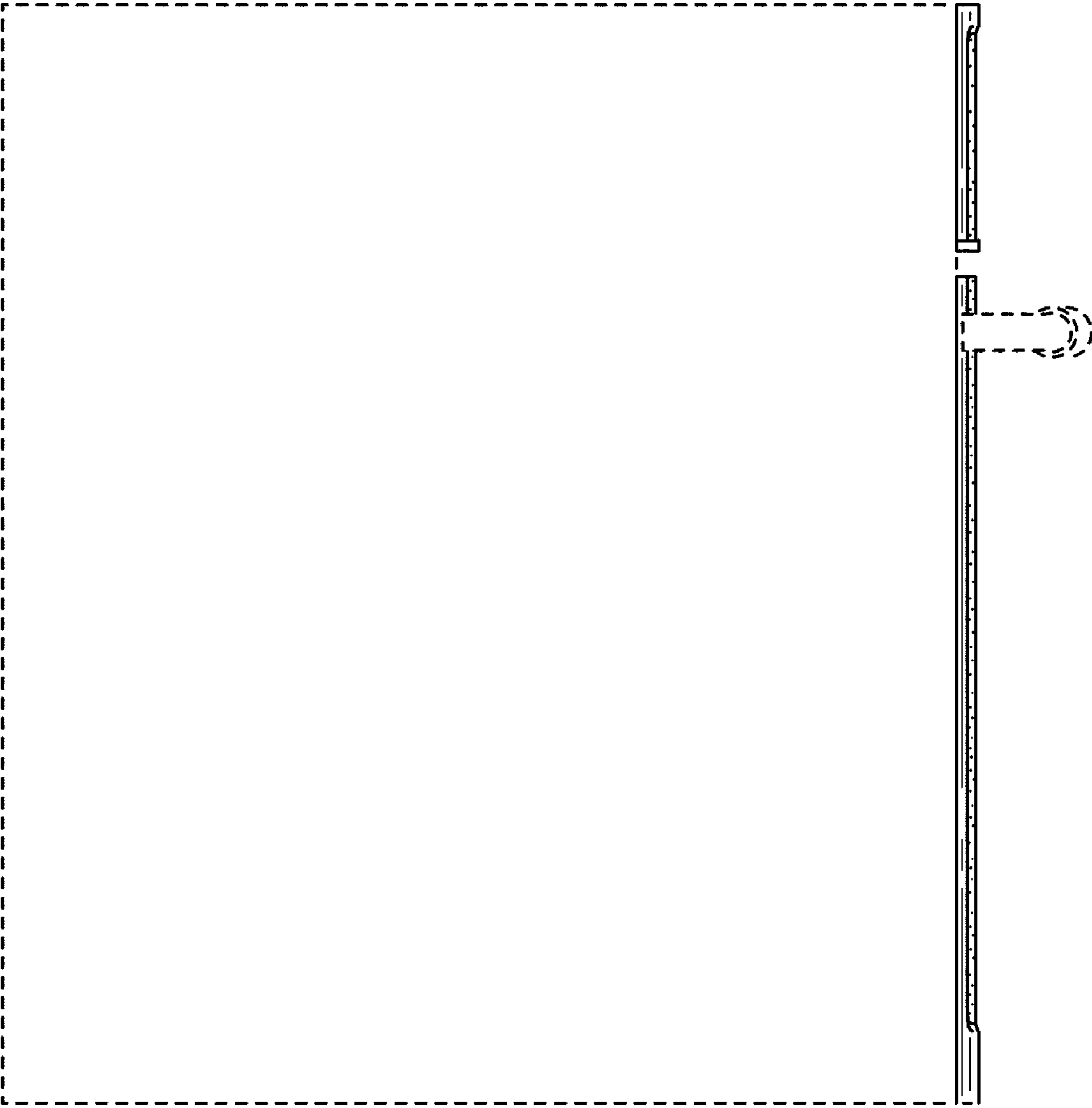


FIG. 4

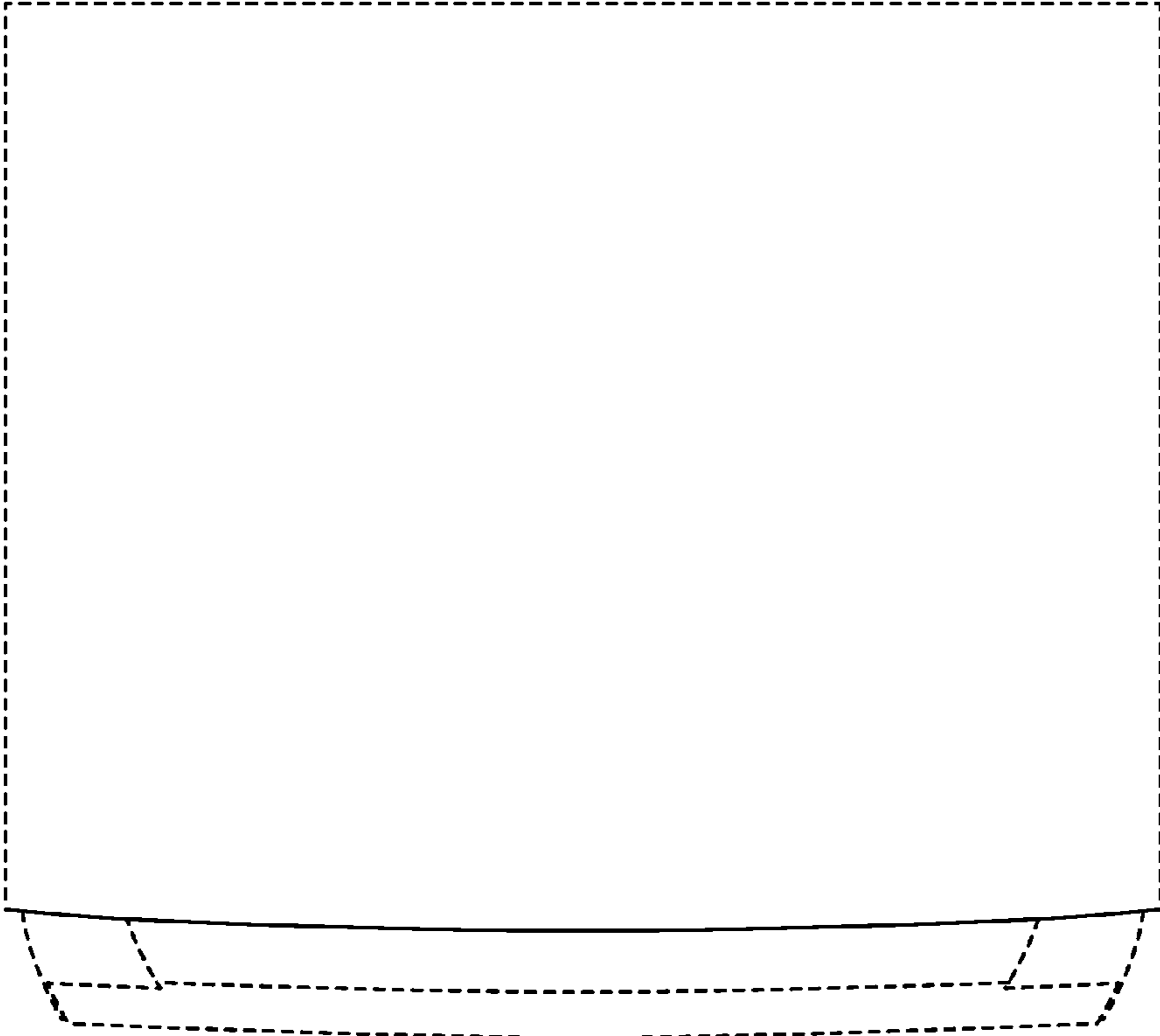


FIG. 5

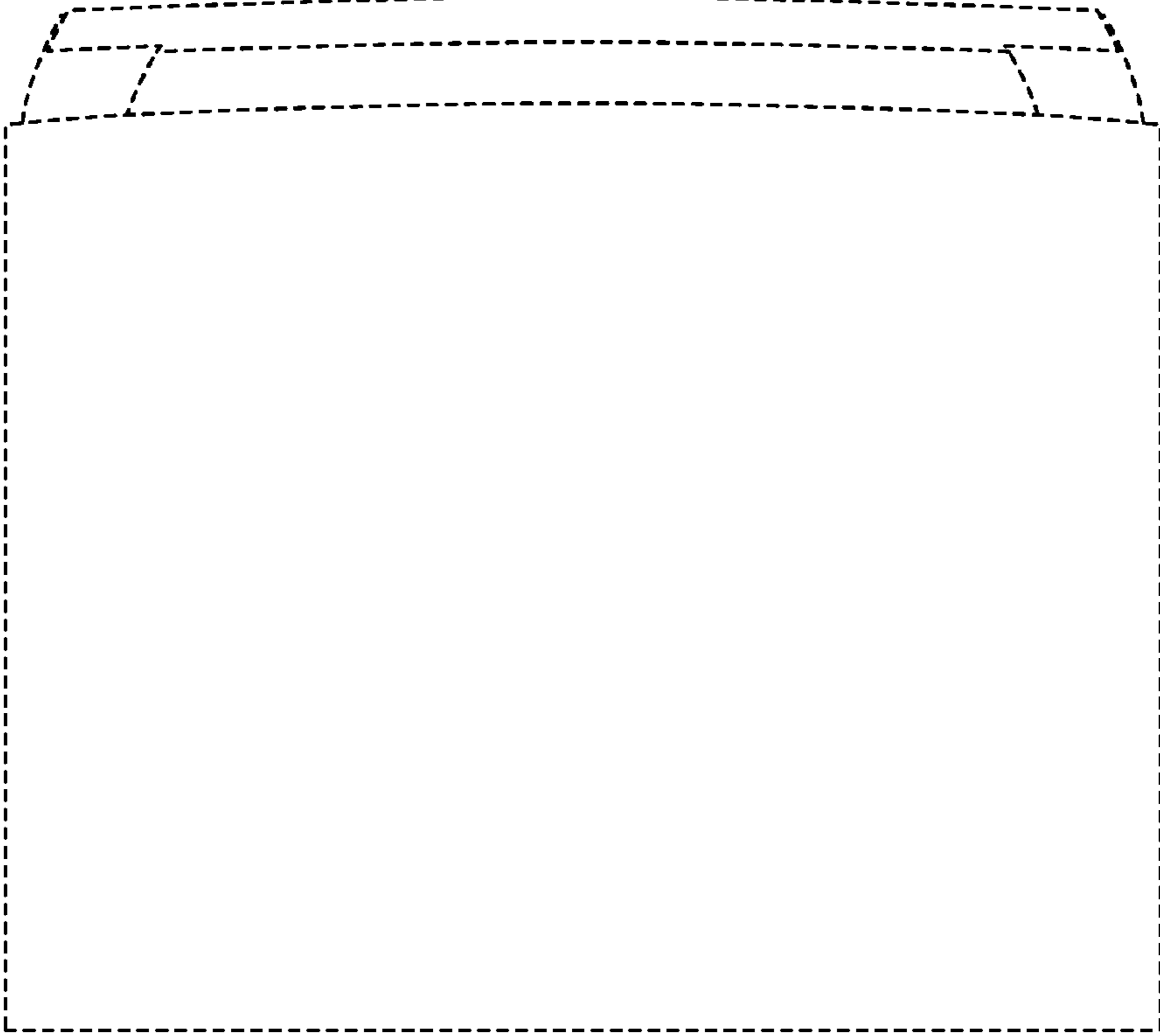


FIG. 6