

US00D592006S

(12) **United States Design Patent**  
**Griffard**

(10) **Patent No.:** **US D592,006 S**

(45) **Date of Patent:** **\*\* May 12, 2009**

(54) **BARBEQUE GRILL HAVING A FOOTBALL HELMET DESIGN**

(76) Inventor: **John D. Griffard**, 1022 Koch's La., Quincy, IL (US) 62305

(\*\*) Term: **14 Years**

(21) Appl. No.: **29/307,605**

(22) Filed: **Apr. 29, 2008**

(51) **LOC (9) Cl.** ..... **07-02**

(52) **U.S. Cl.** ..... **D7/337**

(58) **Field of Classification Search** ..... D7/332-337, D7/402-405, 352, 353; 126/519, 25 R, 25 A, 126/25 AA, 41 R, 29, 30, 9 R, 38, 37 R, 40, 126/50, 250; 99/444-445, 448, 481-482, 99/372, 375, 250, 389

See application file for complete search history.

(56) **References Cited**

**U.S. PATENT DOCUMENTS**

- D312,746 S \* 12/1990 Lutter ..... D7/337
- D324,153 S \* 2/1992 Wood ..... D7/402
- D325,319 S \* 4/1992 Zilber et al. .... D7/337

- D326,583 S \* 6/1992 Lutter et al. .... D7/332
- D358,527 S \* 5/1995 Danielson et al. .... D7/332
- D467,119 S \* 12/2002 McGargill ..... D7/332
- D481,255 S \* 10/2003 Mak ..... D7/332
- D516,365 S \* 3/2006 Baris et al. .... D7/332
- D537,669 S \* 3/2007 Loving ..... D7/332
- D573,398 S \* 7/2008 Puerto ..... D7/335

\* cited by examiner

*Primary Examiner*—Ruth McInroy

(74) *Attorney, Agent, or Firm*—Bryan Cave, LLP; Daniel A. Crowe

(57) **CLAIM**

I claim the ornamental design for a barbeque grill having a football helmet design, as shown.

**DESCRIPTION**

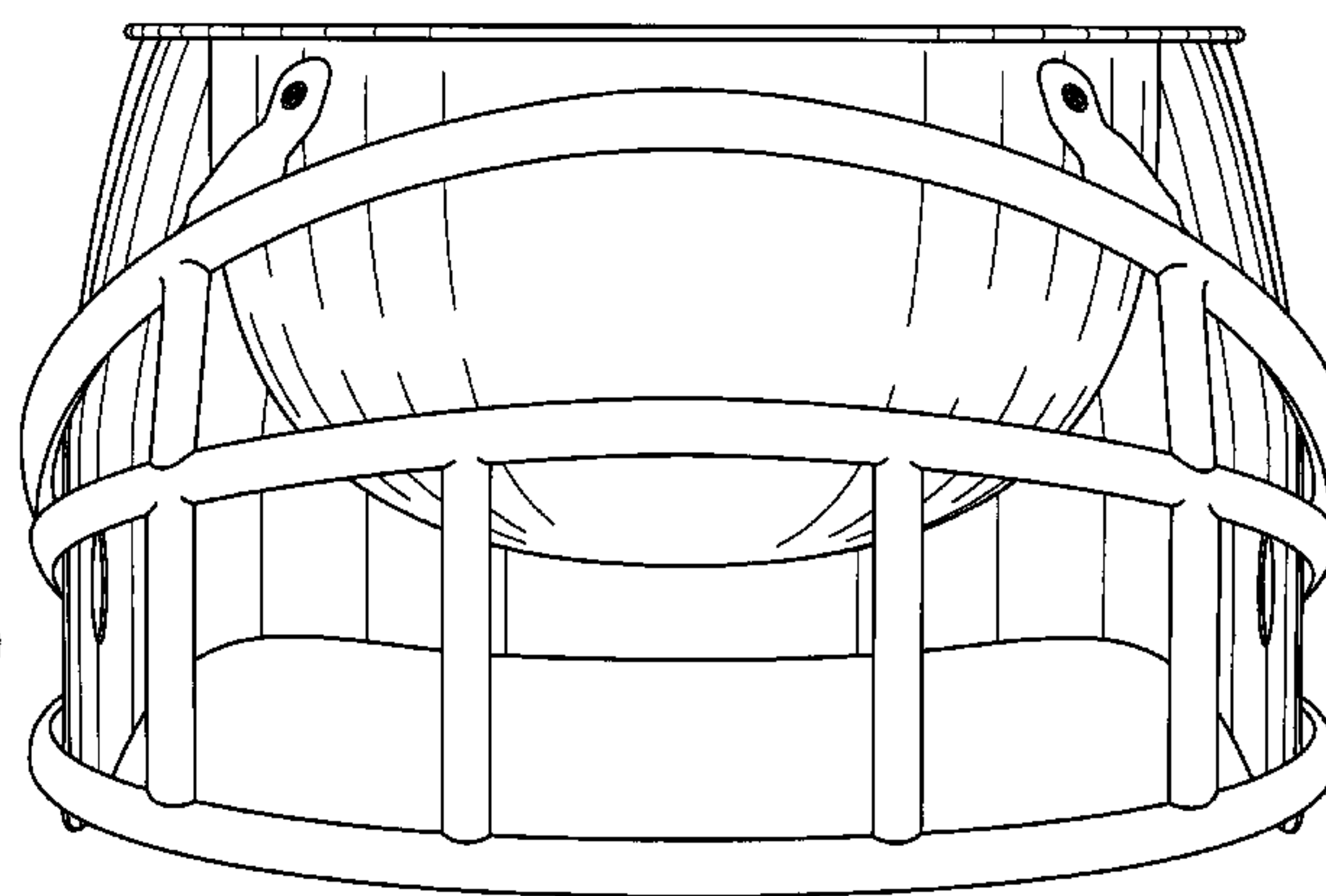
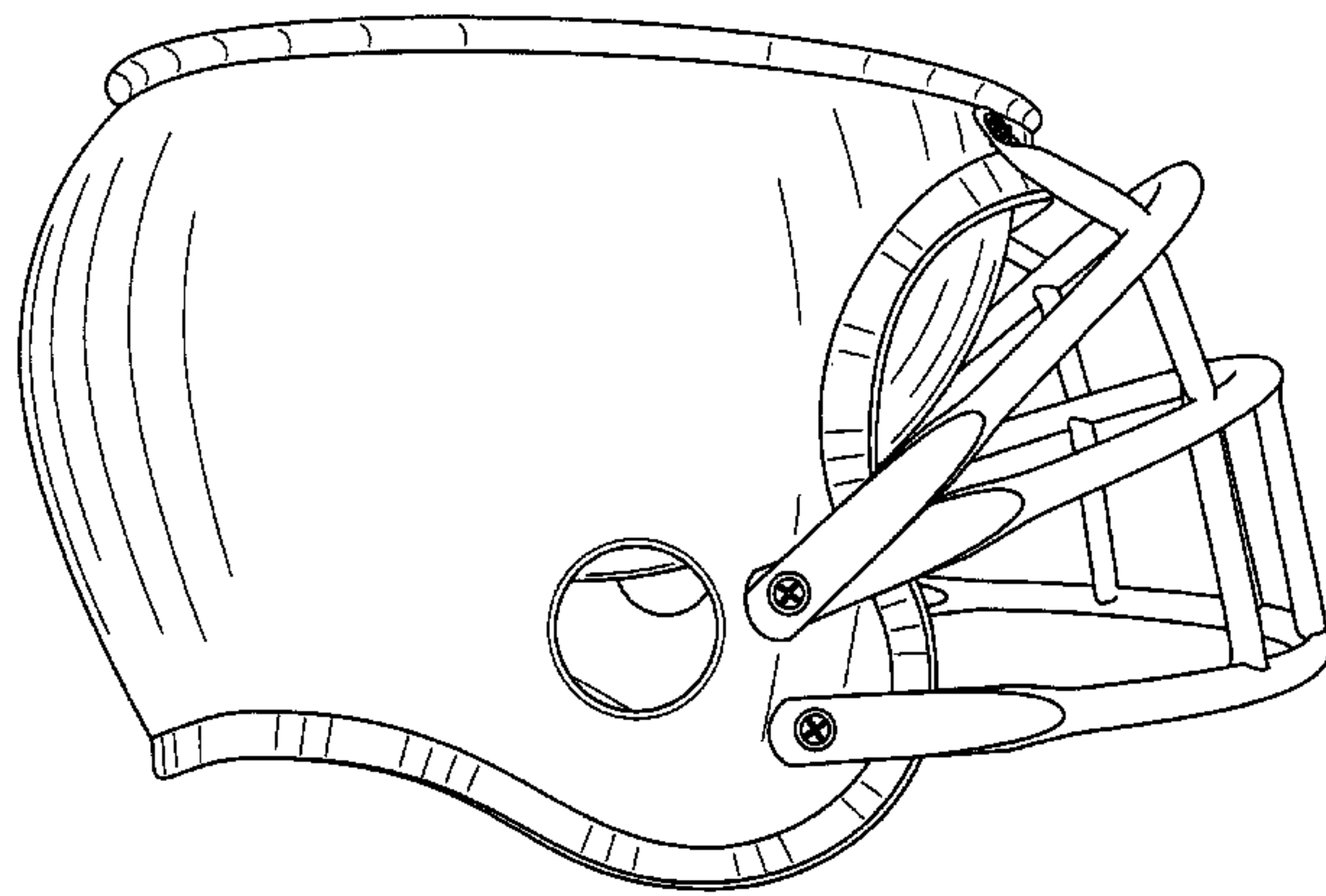
FIG. 1 is perspective view of a barbeque grill having a football helmet design showing my new design;

FIG. 2 is a right side elevation view thereof;

FIG. 3 is a front elevation view thereof; and,

FIG. 4 is a top elevation view thereof.

**1 Claim, 4 Drawing Sheets**



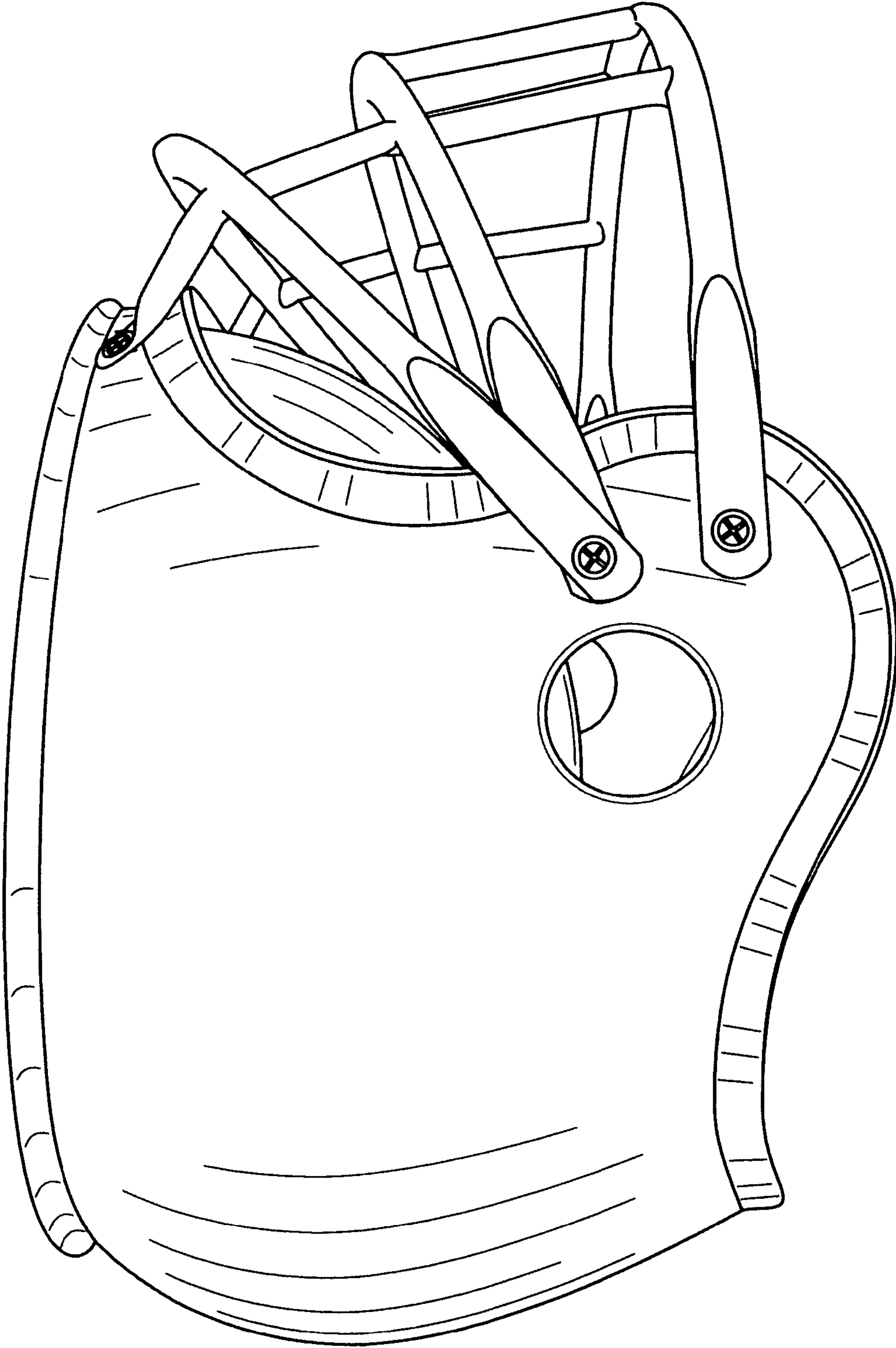


Fig. 1

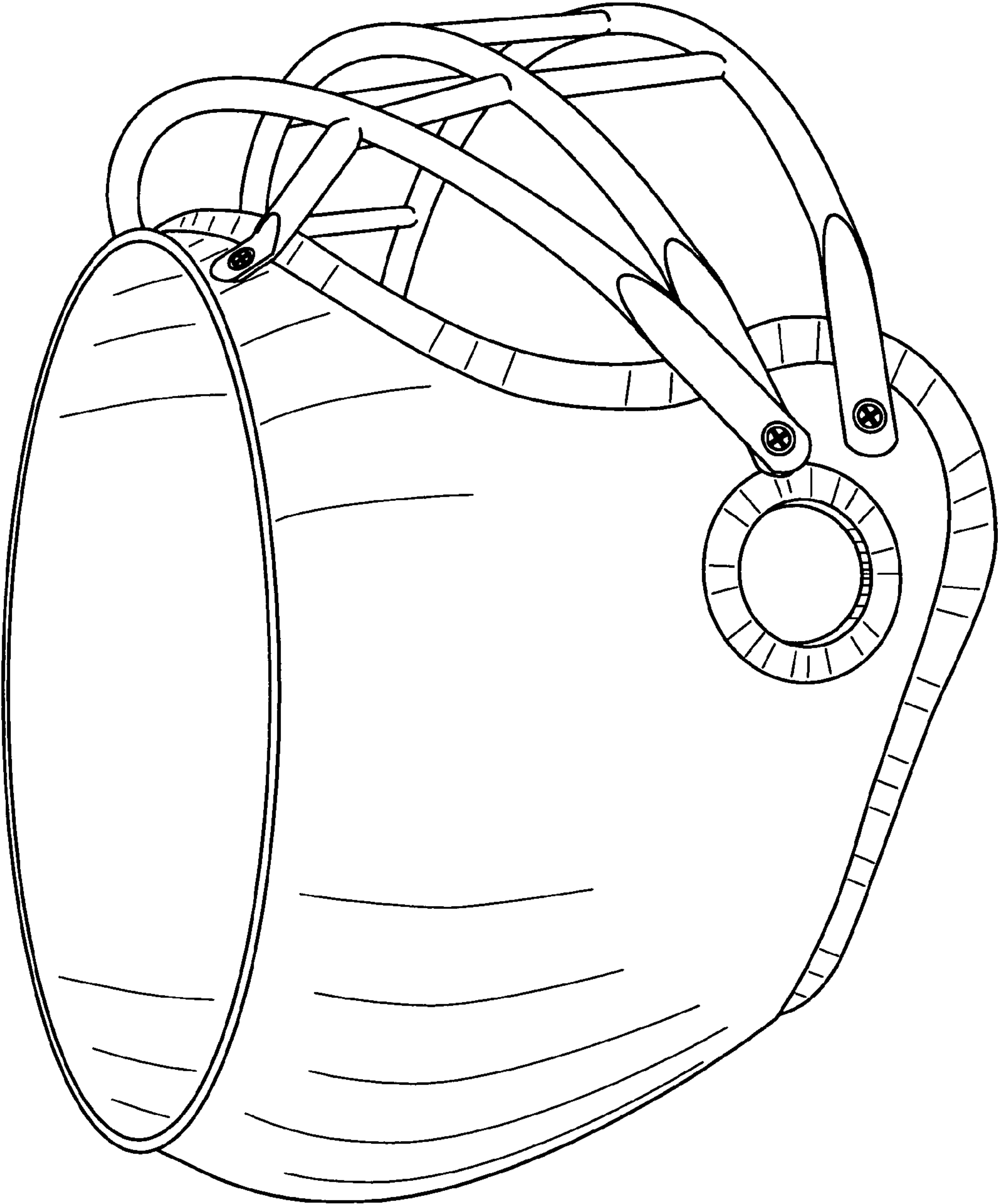


Fig. 2

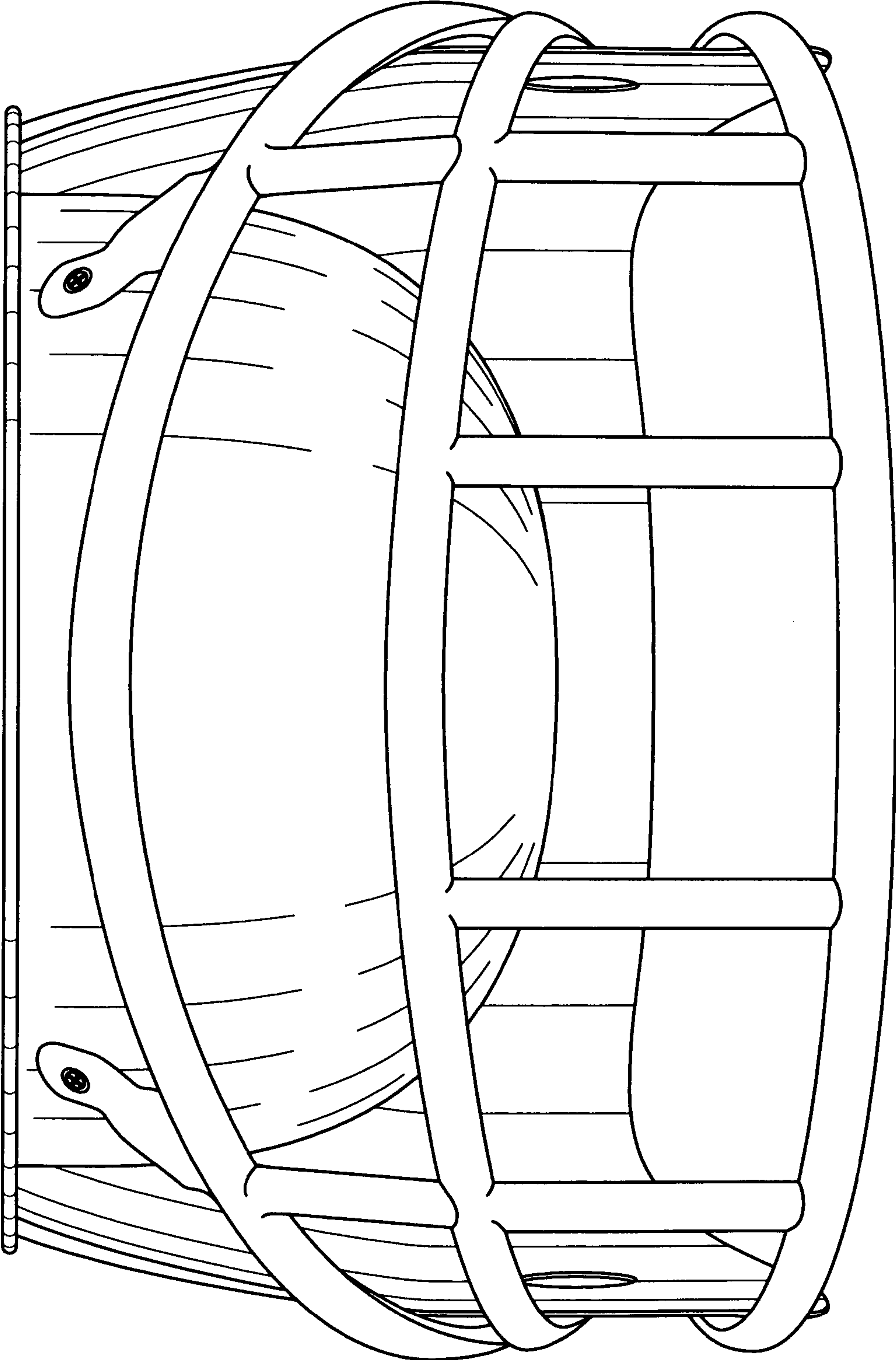


Fig. 3



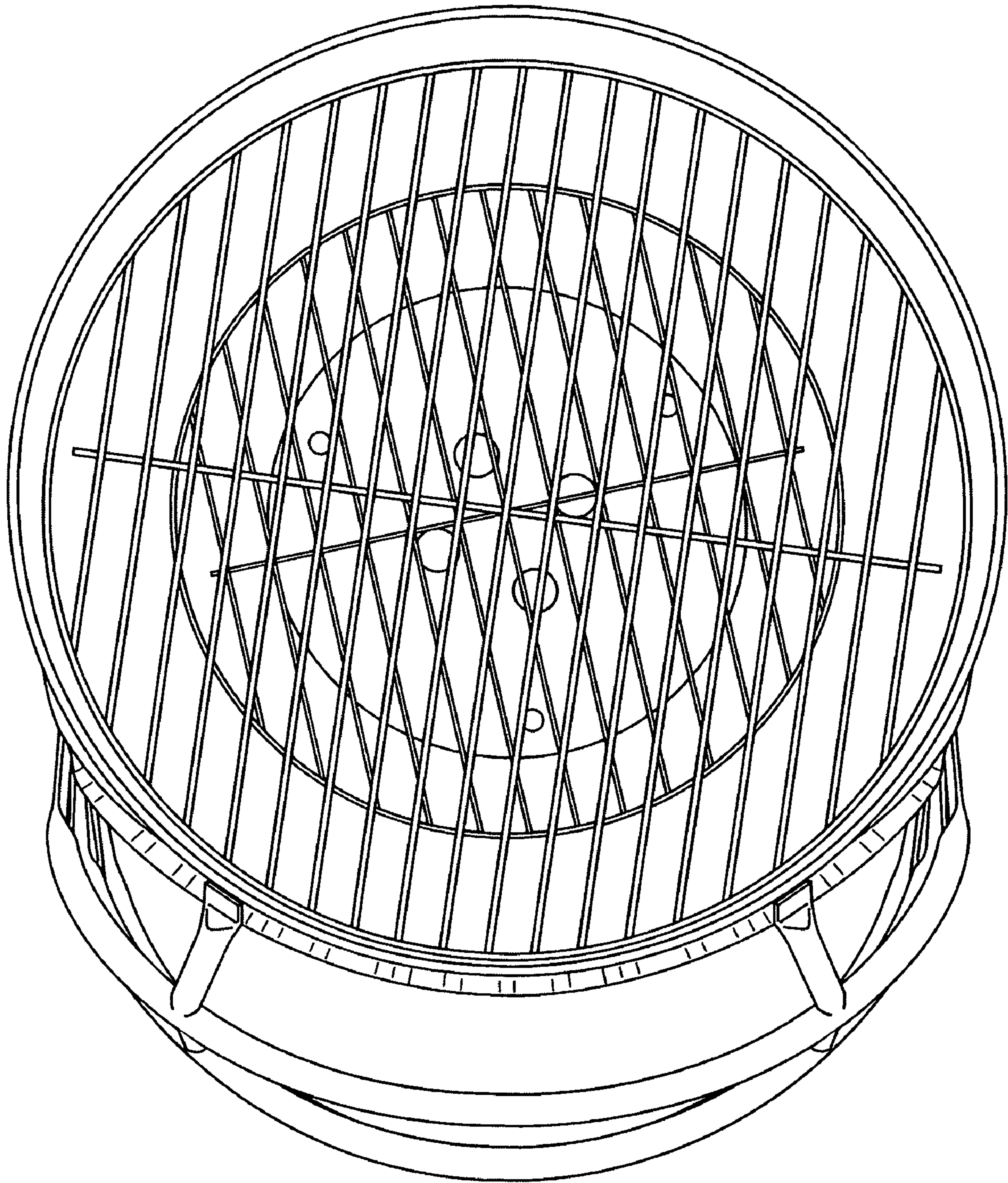


Fig. 4