



US00D592005S

(12) **United States Design Patent**
Richardson et al.

(10) **Patent No.:** **US D592,005 S**

(45) **Date of Patent:** **** *May 12, 2009**

(54) **GRILL**

(75) Inventors: **Mary K. Richardson**, Viola, KS (US);
Mitchell L. Wilgus, Andover, KS (US);
Robert F. Mosher, II, Wichita, KS (US)

(73) Assignee: **The Coleman Company, Inc.**, Wichita,
KS (US)

(*) Notice: This patent is subject to a terminal dis-
claimer.

(**) Term: **14 Years**

(21) Appl. No.: **29/298,765**

(22) Filed: **Dec. 12, 2007**

(51) **LOC (9) Cl.** **07-02**

(52) **U.S. Cl.** **D7/337**

(58) **Field of Classification Search** D7/332-337,
D7/402-405; 126/25 R, 29-30, 25 A, 25 AA,
126/9 R, 9 B, 8, 38, 41 R, 40, 50, 506, 144,
126/211, 304 R, 305; 99/447, 425, 450;
248/188.7, 165, 121, 431

See application file for complete search history.

(56) **References Cited**

U.S. PATENT DOCUMENTS

D446,679 S * 8/2001 Lin D7/352
D506,636 S * 6/2005 Schulte et al. D7/337
D522,306 S * 6/2006 Wilgus et al. D7/337
D532,642 S * 11/2006 Wilgus D7/337

2002/0153366 A1* 10/2002 Glucksman et al. 219/450.1
2006/0150964 A1* 7/2006 Chen 126/25 R

* cited by examiner

Primary Examiner—Ruth McInroy

(74) *Attorney, Agent, or Firm*—Kelly S. Elsea

(57) **CLAIM**

The ornamental design for a grill, as shown and described.

DESCRIPTION

FIG. 1 is a front side perspective view of our grill;

FIG. 2 is a front elevation view thereof;

FIG. 3 is a rear elevation view thereof;

FIG. 4 is a left side elevation view thereof,

FIG. 5 is a right side elevation view thereof;

FIG. 6 is a top plan view thereof;

FIG. 7 is a front side perspective view of a second embodi-
ment thereof;

FIG. 8 is a front elevation view of FIG. 7;

FIG. 9 is a rear elevation view of FIG. 7;

FIG. 10 is a left side elevation view of FIG. 7;

FIG. 11 is a right side elevation view of FIG. 7; and,

FIG. 12 is a top plan view of FIG. 7.

The broken line showing is for illustrative purposes only and
forms no part of the claimed design.

1 Claim, 8 Drawing Sheets

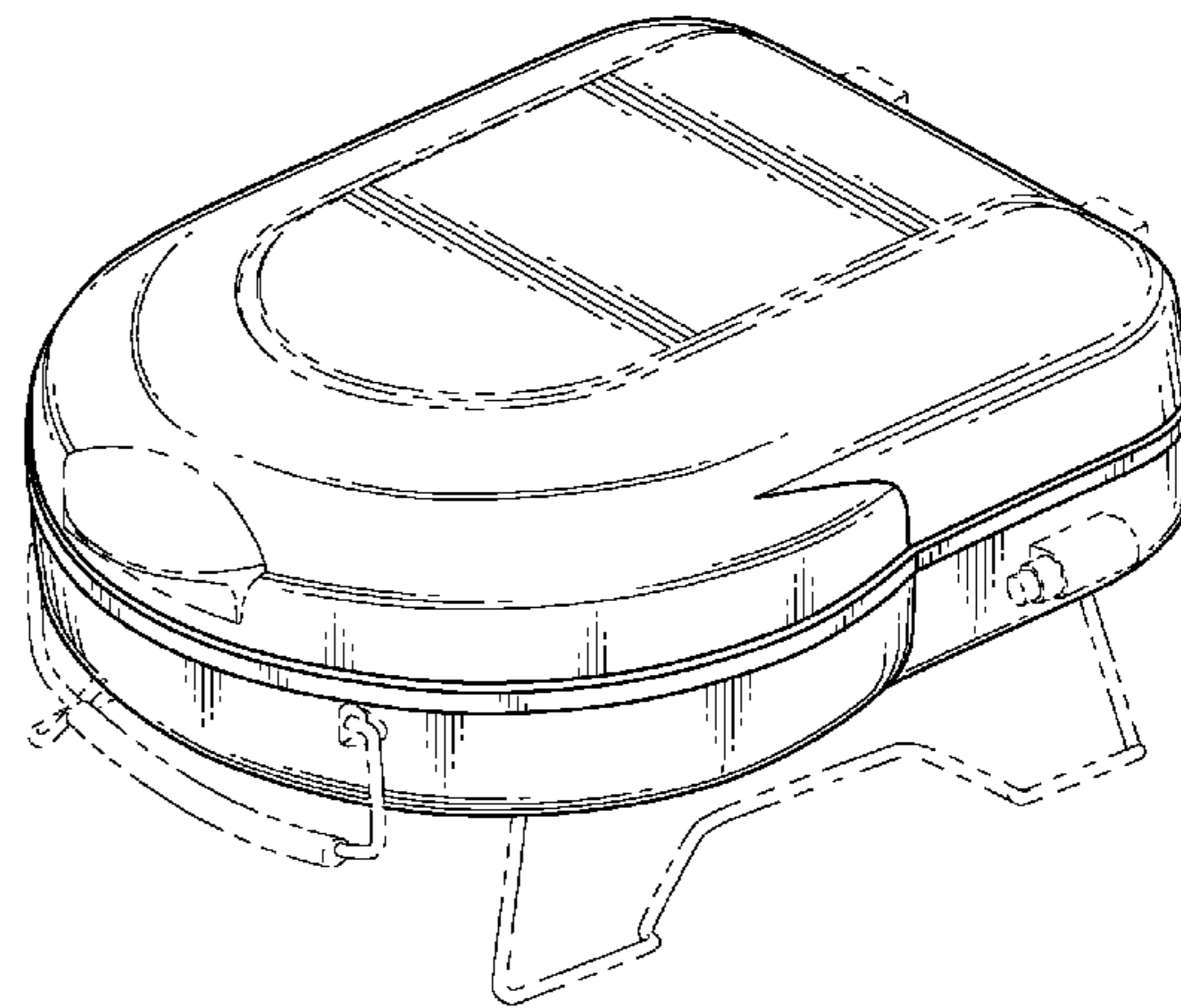
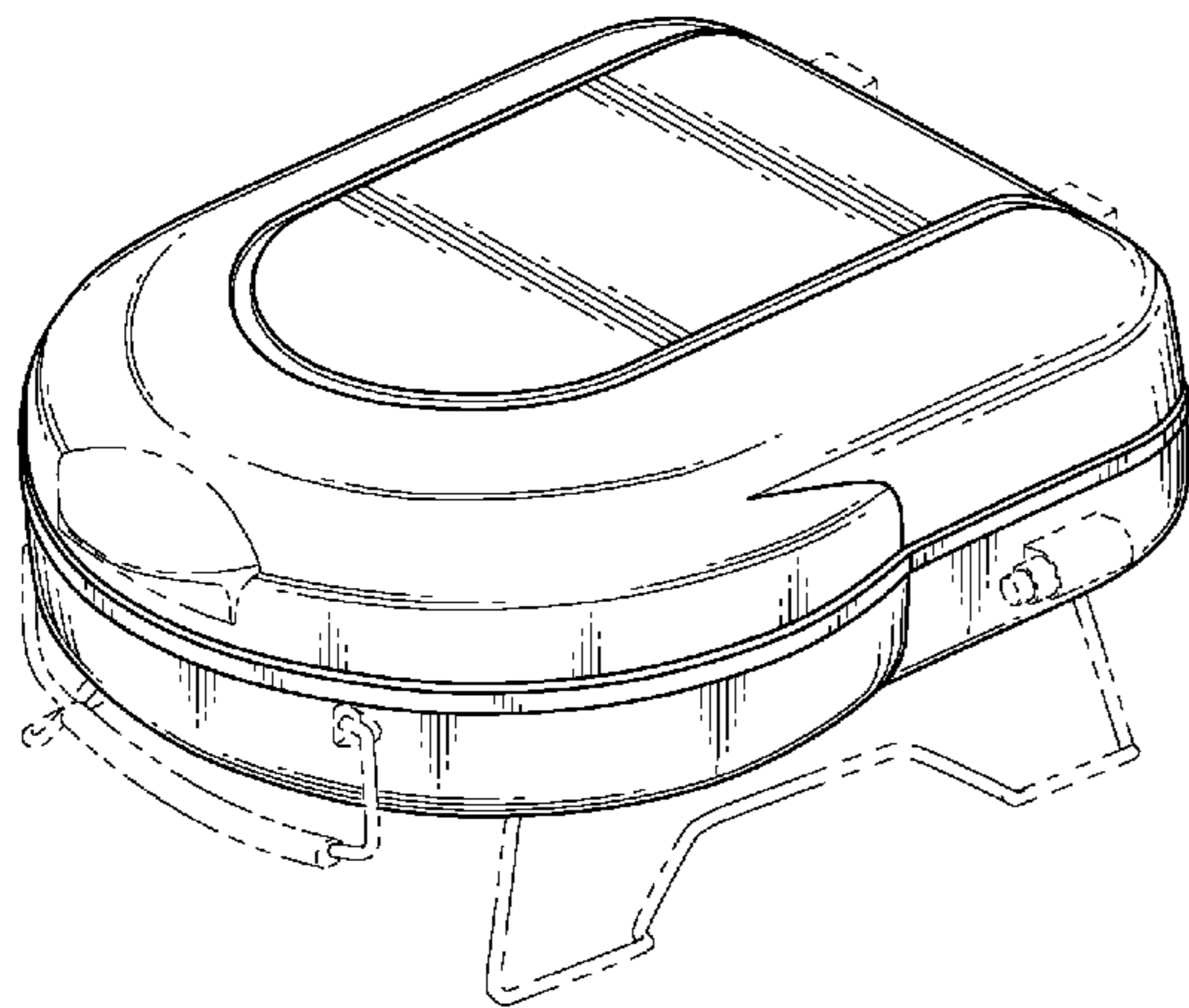


FIG. 1

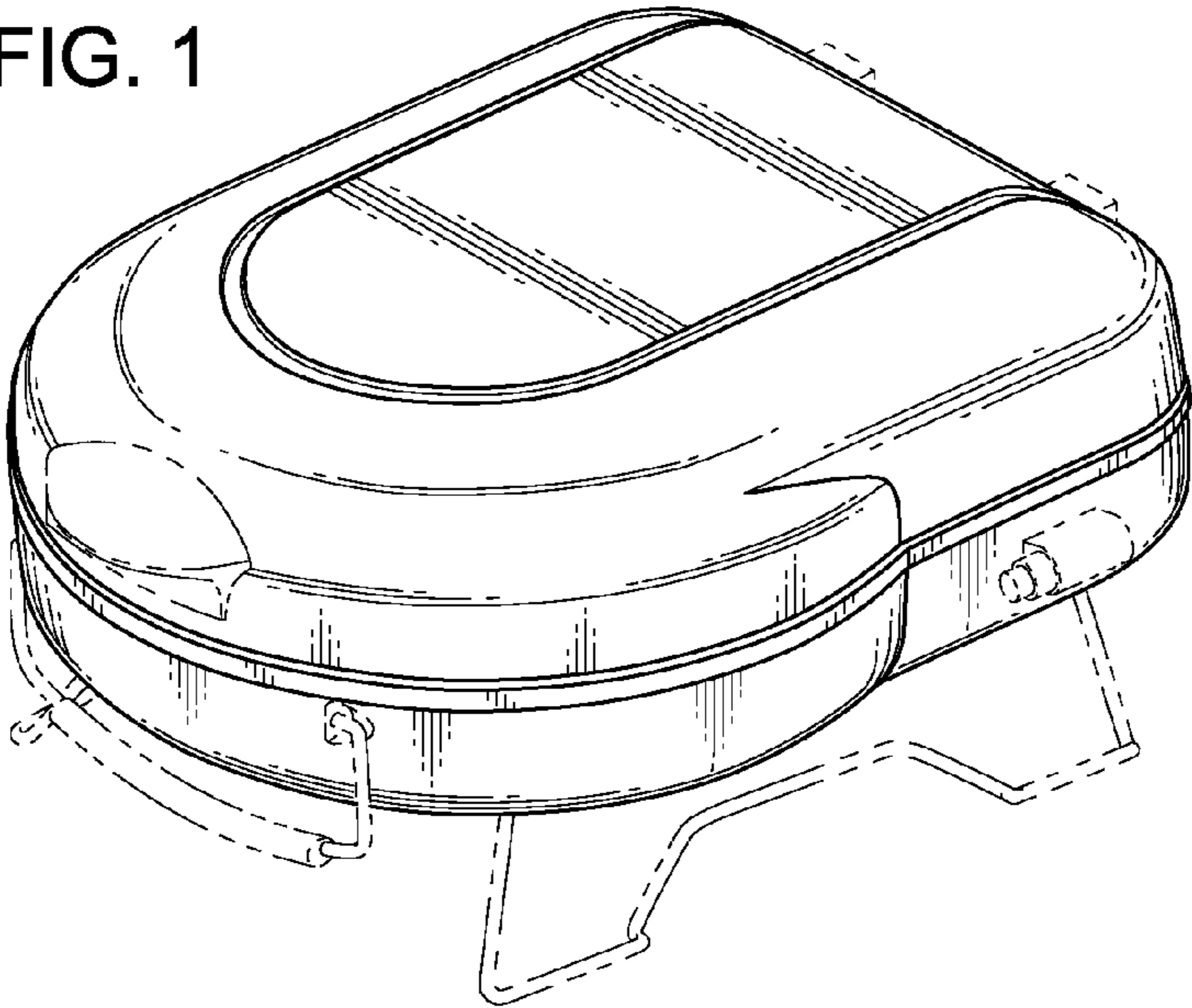


FIG. 2

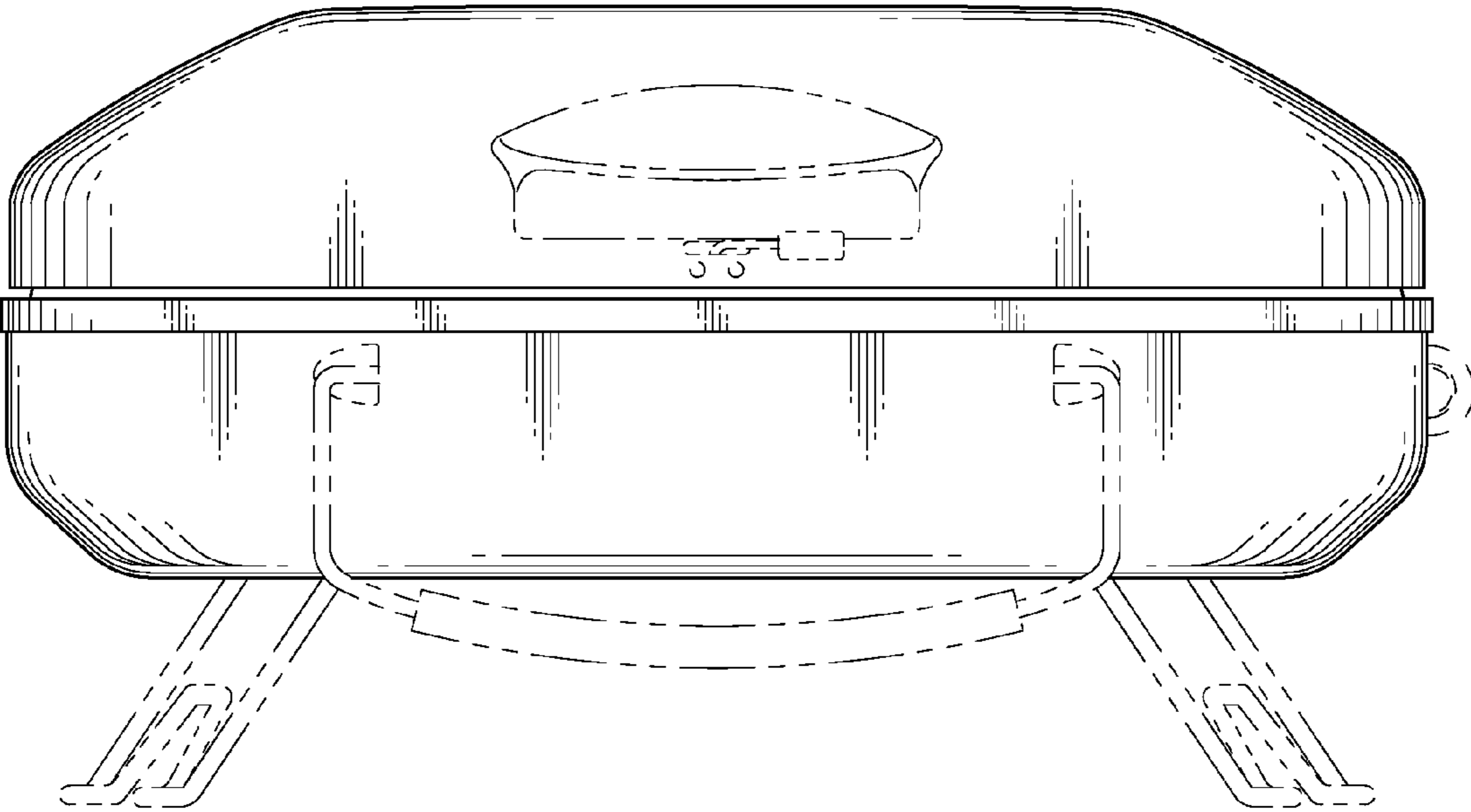


FIG. 3

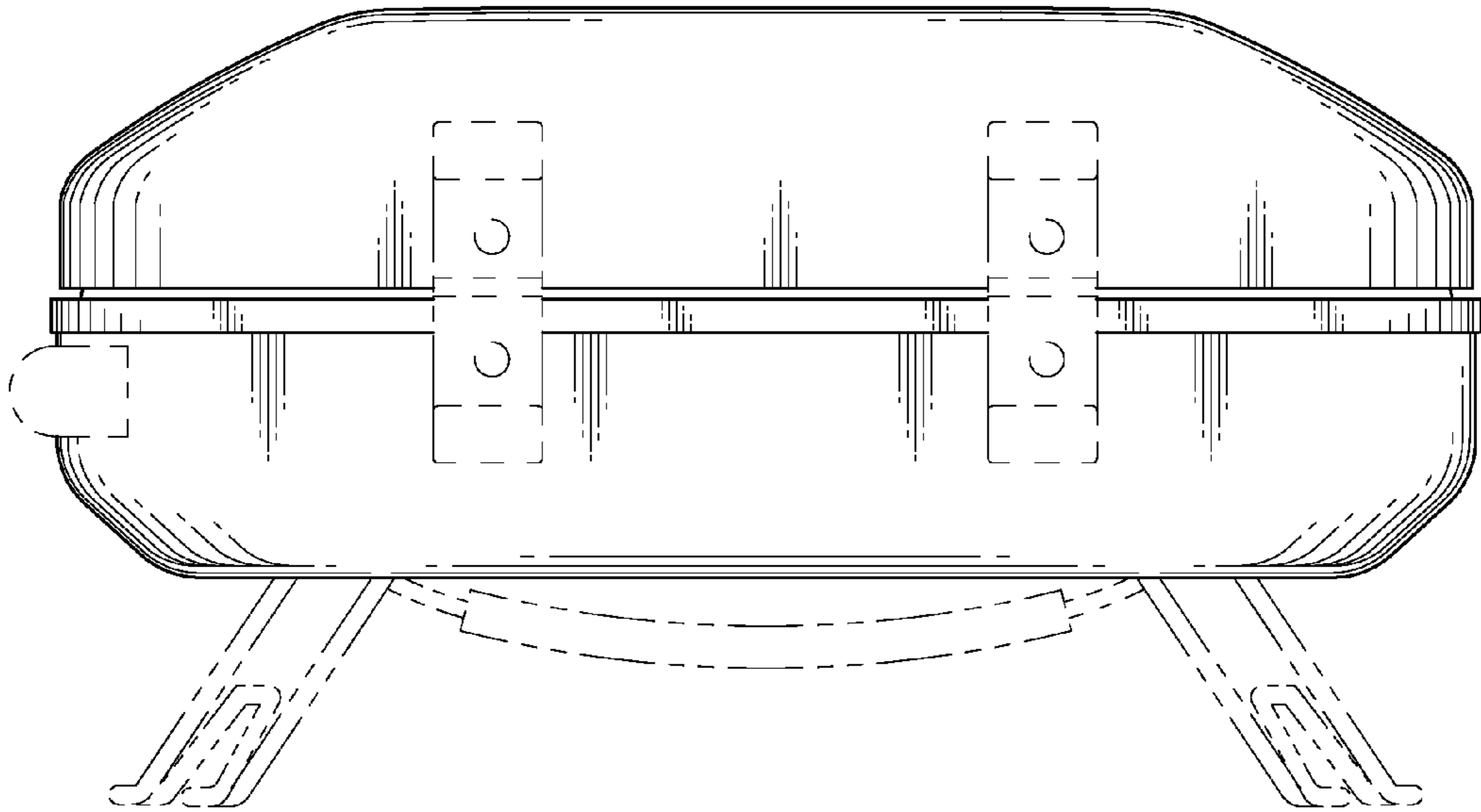


FIG. 4

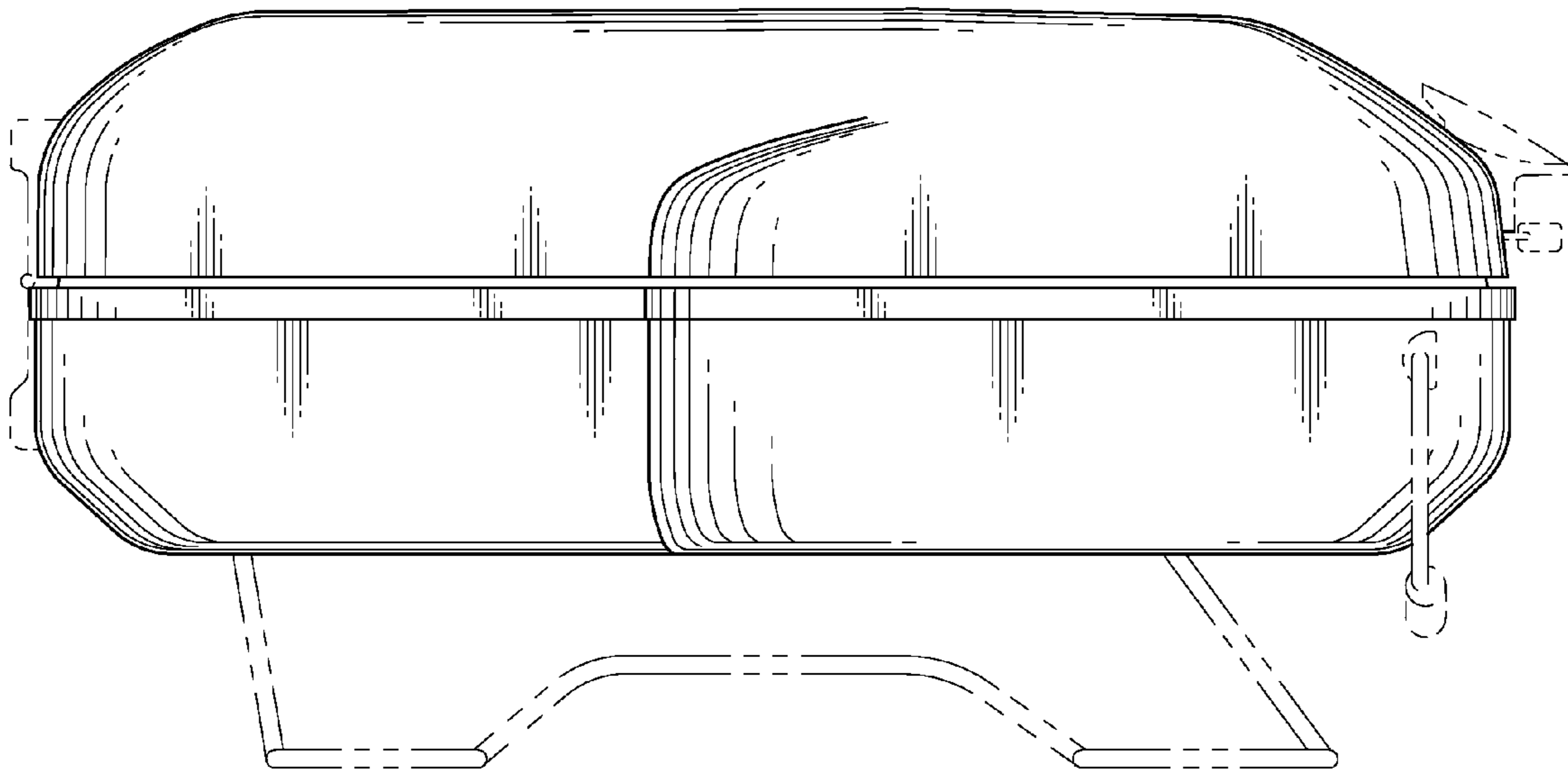


FIG. 5

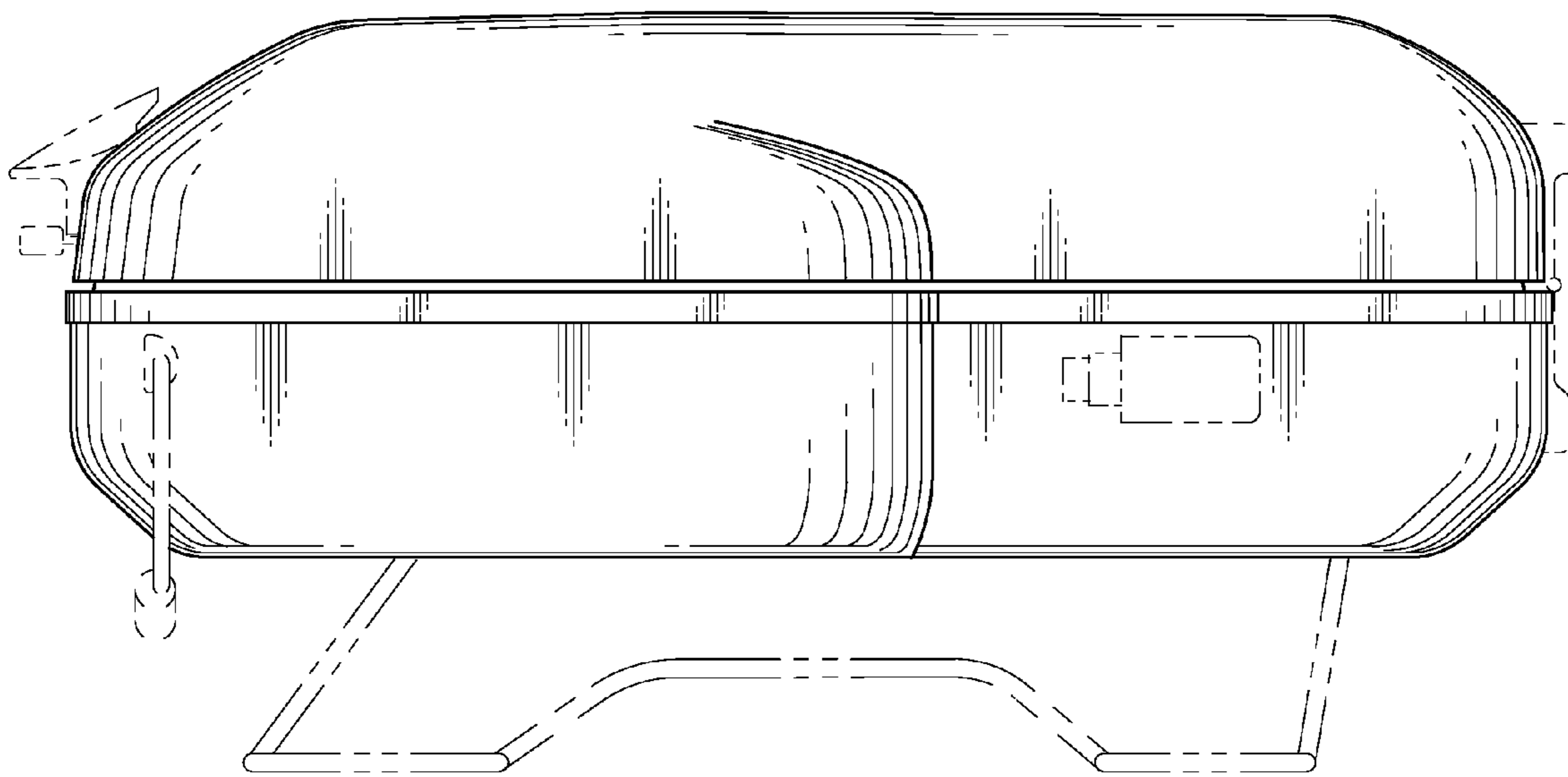


FIG. 6

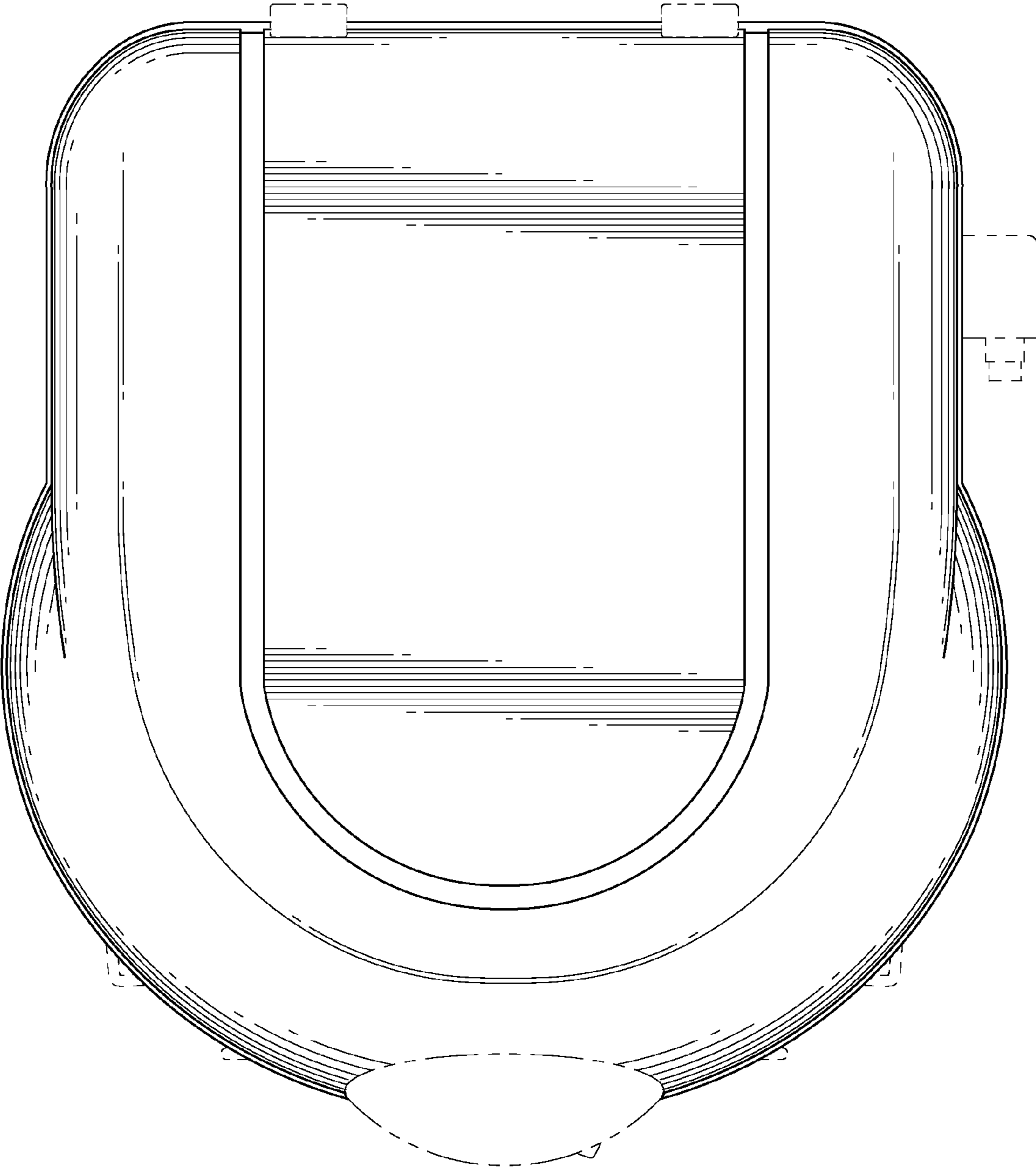


FIG. 7

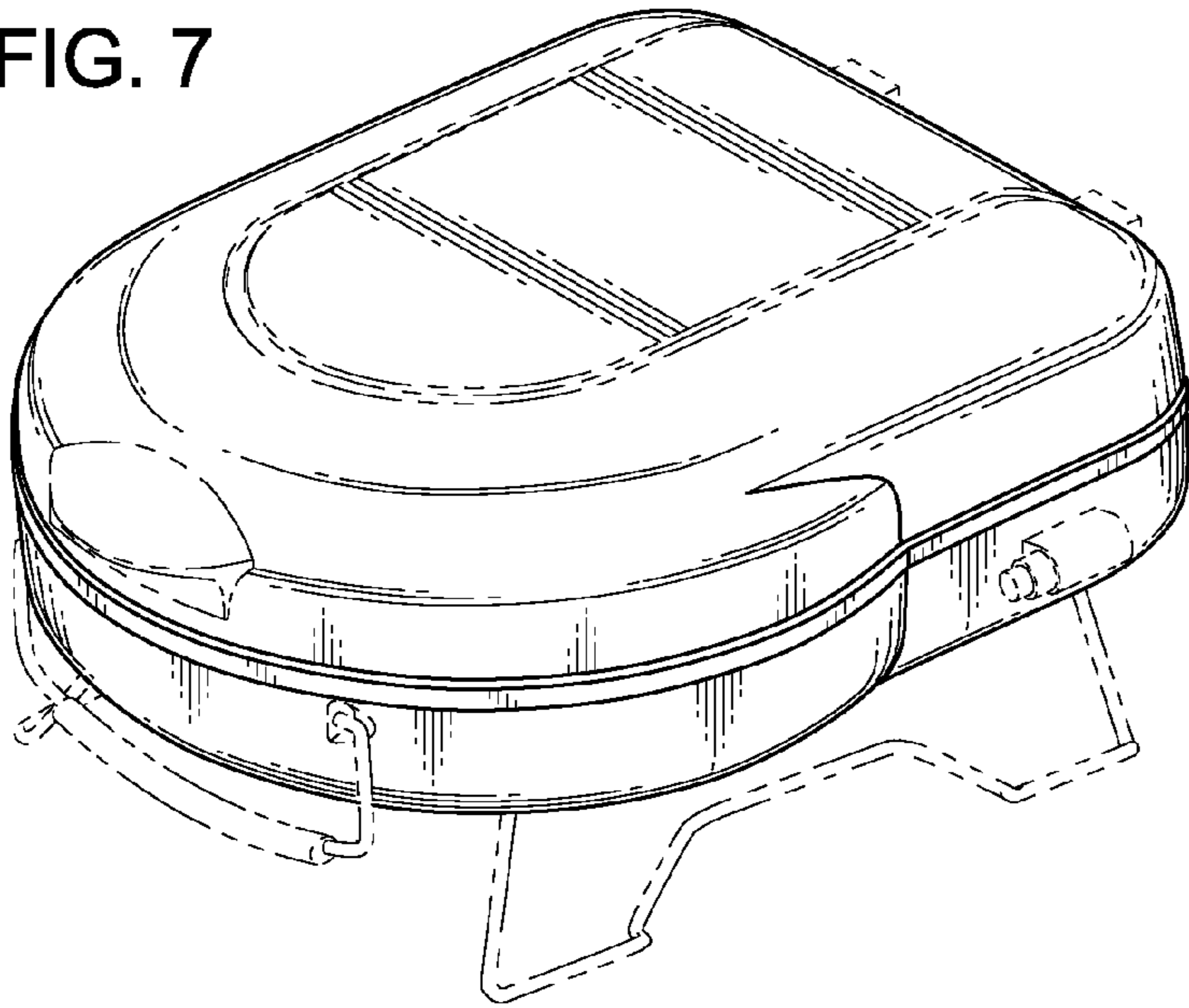


FIG. 8

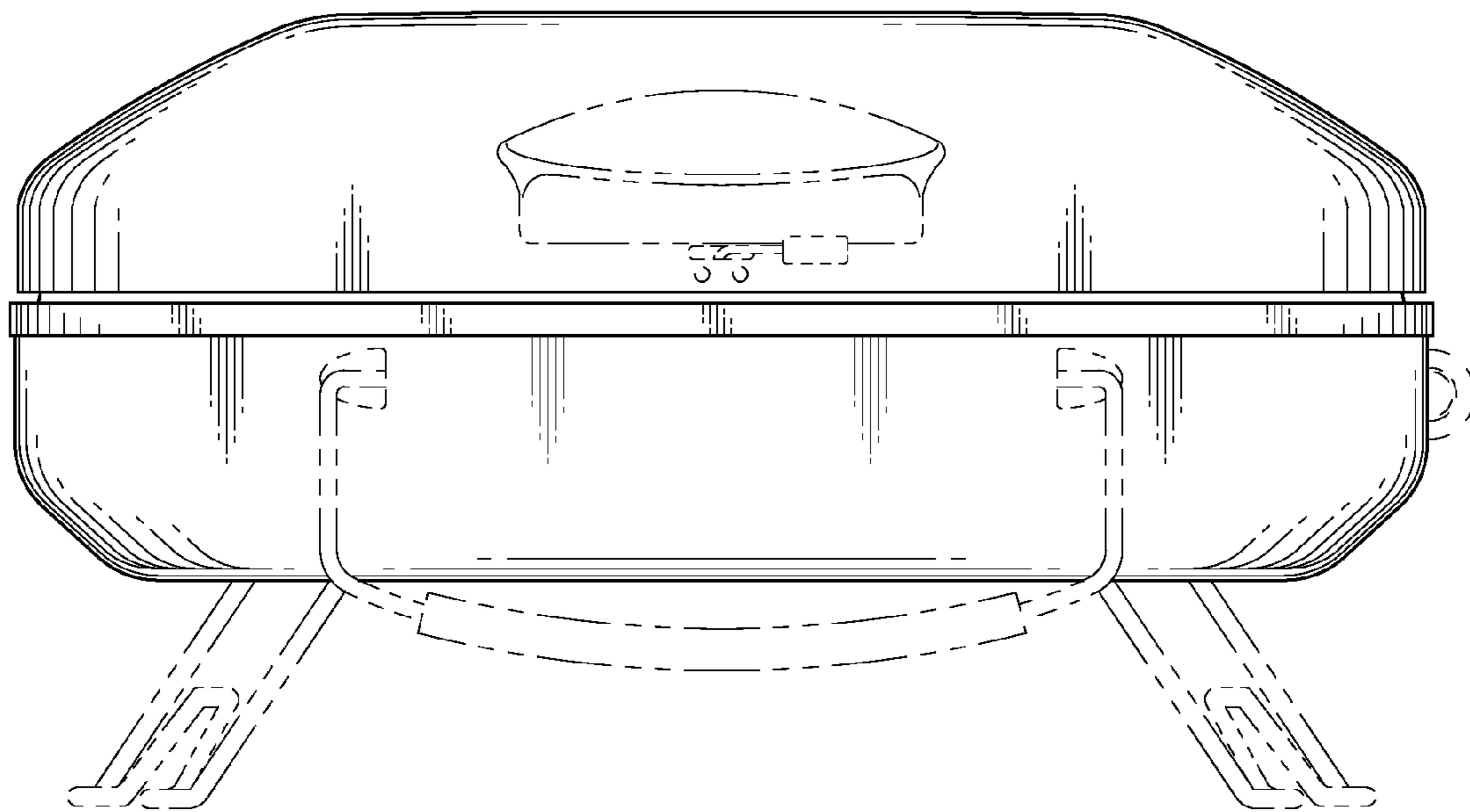


FIG. 9

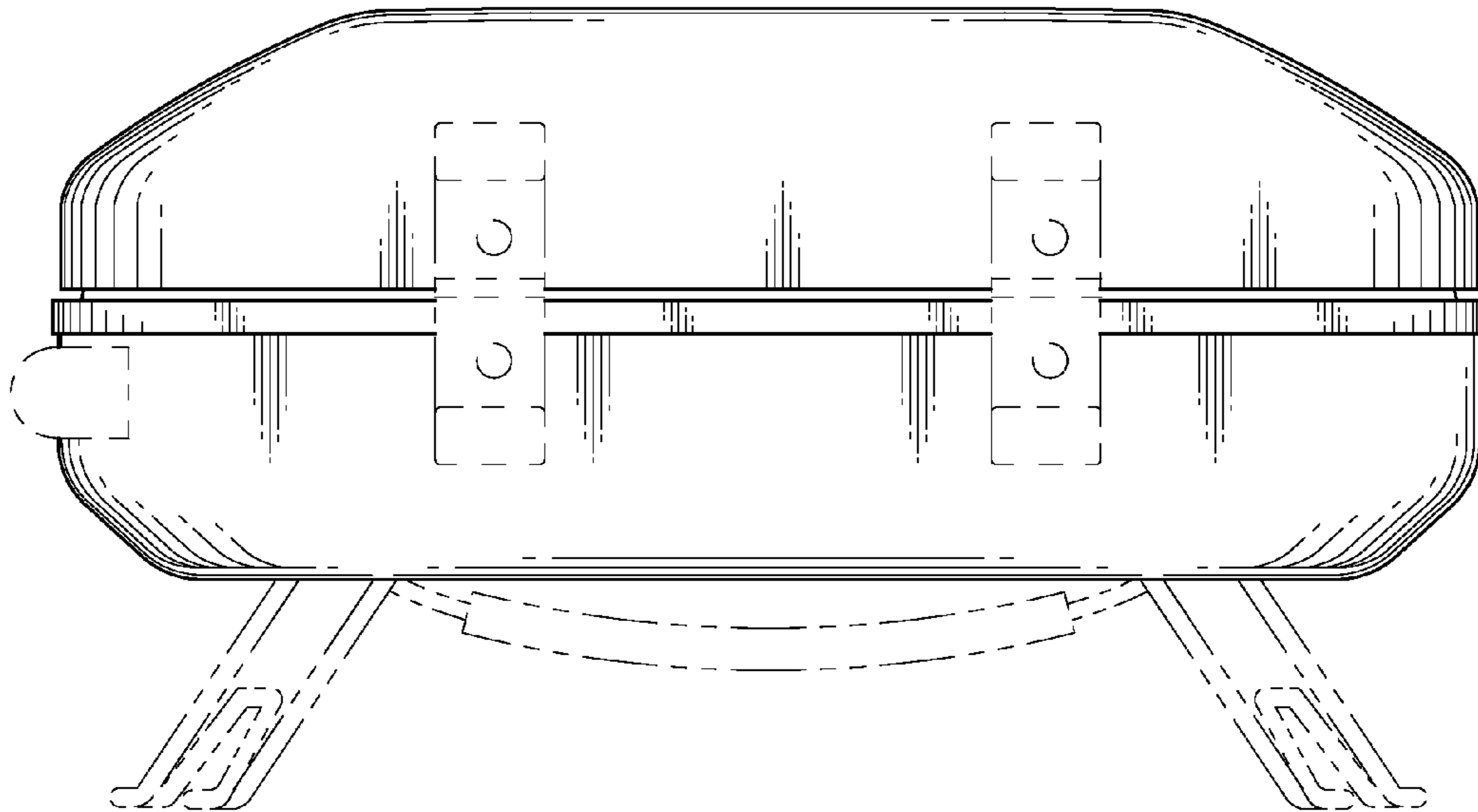


FIG. 10

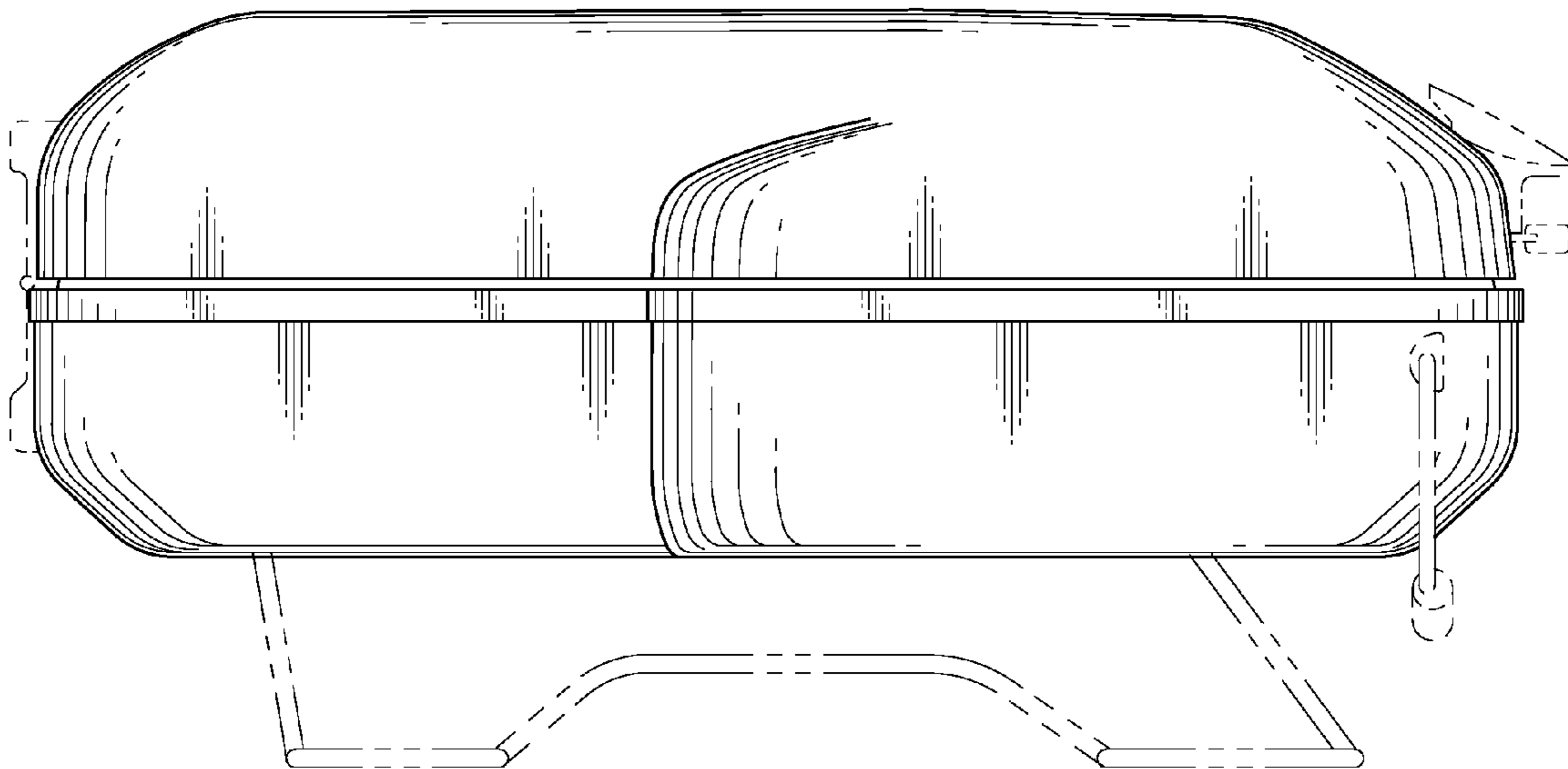


FIG. 11

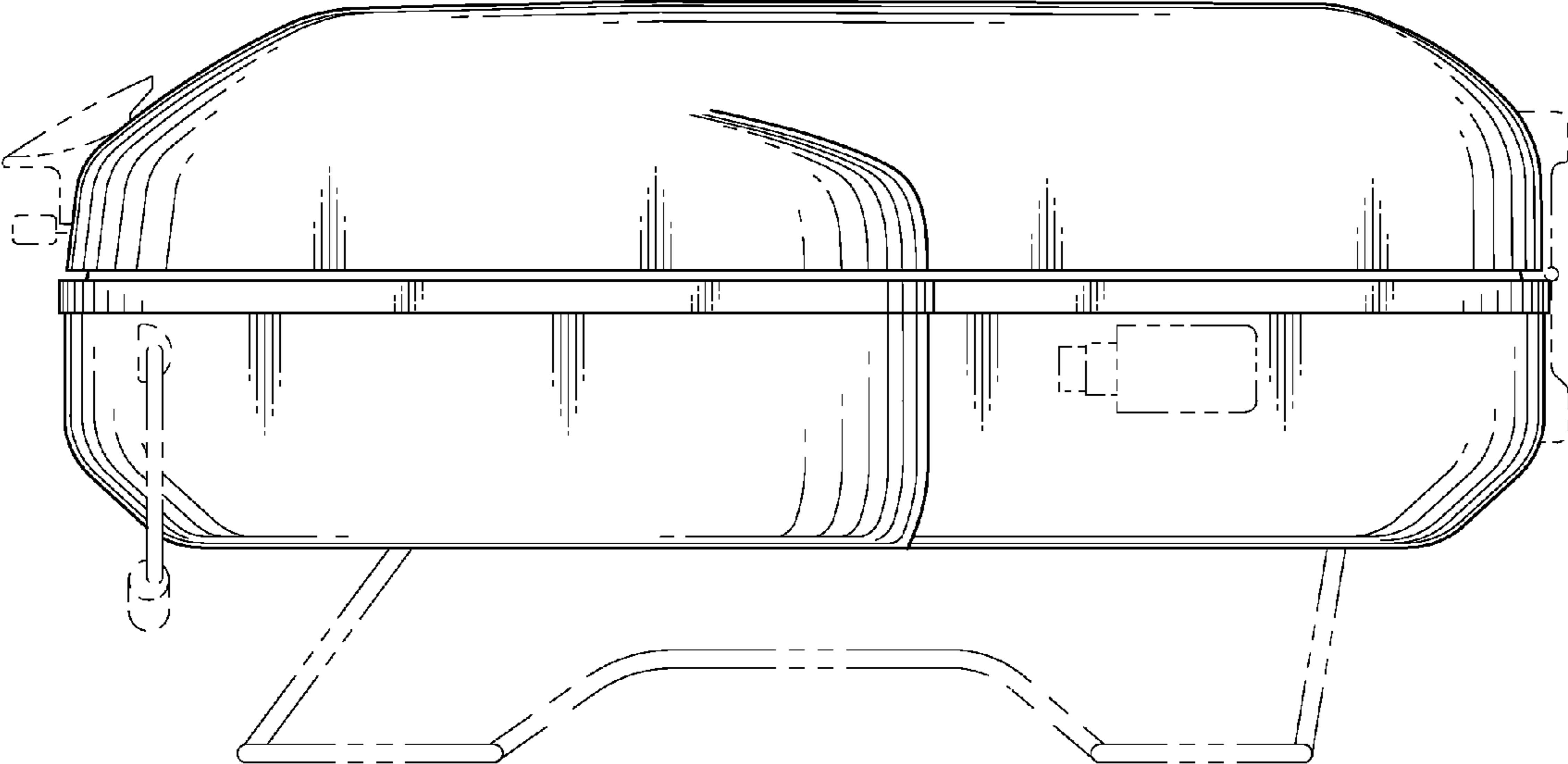


FIG. 12

