



US00D592004S

(12) **United States Design Patent**
Loving

(10) **Patent No.:** **US D592,004 S**

(45) **Date of Patent:** **** May 12, 2009**

(54) **BARBECUE GRILL**

D481,255 S * 10/2003 Mak D7/332
D497,078 S * 10/2004 Ethridge D7/402

(76) Inventor: **Christopher B. Loving**, 115 Bonami Ct., Fairburn, GA (US) 30213

* cited by examiner

(**) Term: **14 Years**

Primary Examiner—Ruth McInroy

(74) *Attorney, Agent, or Firm*—Jerome J. Norris

(21) Appl. No.: **29/222,658**

(57) **CLAIM**

(22) Filed: **Feb. 3, 2005**

The ornamental design for barbecue grill, as shown and described.

(51) **LOC (9) Cl.** **07-02**

(52) **U.S. Cl.** **D7/337**

(58) **Field of Classification Search** D7/332,
D7/334–337, 402–405; 126/25 R, 25 A,
126/25 AA, 25 B, 29–30, 41 R, 38, 37 R,
126/9 R, 40, 50, 304 R, 305, 276; 99/419,
99/421 R, 444, 450; 312/140.1, 140.3, 236;
248/129; 108/44, 519

DESCRIPTION

See application file for complete search history.

FIG. 1 is a front perspective view of a barbecue grill showing my new design;

FIG. 2 is a side elevational view thereof; the opposite side being a mirror image;

FIG. 3 is a rear elevational view thereof;

FIG. 4 is a side elevational view thereof with cap raised; the opposite side being a mirror image;

FIG. 5 is an exploded side perspective view thereof, the opposite side being a mirror image;

FIG. 6 is a reduced perspective view showing the grill in tow behind a vehicle, the broken lines form no part of the claimed design; and,

FIG. 7 shows the grill with the support disc removed and mounted on an alternate support, the support shown in broken lines forms no part of the claimed design.

(56) **References Cited**

U.S. PATENT DOCUMENTS

| | | | | | |
|------------|---|---------|------------------|-------|--------|
| D270,606 S | * | 9/1983 | McCrary et al. | | D7/334 |
| D312,746 S | * | 12/1990 | Lutter | | D7/337 |
| D324,153 S | * | 2/1992 | Wood | | D7/402 |
| D325,319 S | * | 4/1992 | Zilber et al. | | D7/337 |
| D326,583 S | * | 6/1992 | Lutter et al. | | D7/332 |
| D358,527 S | * | 5/1995 | Danielson et al. | | D7/332 |
| D373,047 S | * | 8/1996 | McCrary et al. | | D7/334 |
| D379,286 S | * | 5/1997 | Fincher | | D7/334 |
| D397,580 S | * | 9/1998 | Dunn et al. | | D7/402 |
| D467,119 S | * | 12/2002 | McGargill | | D7/332 |

1 Claim, 4 Drawing Sheets

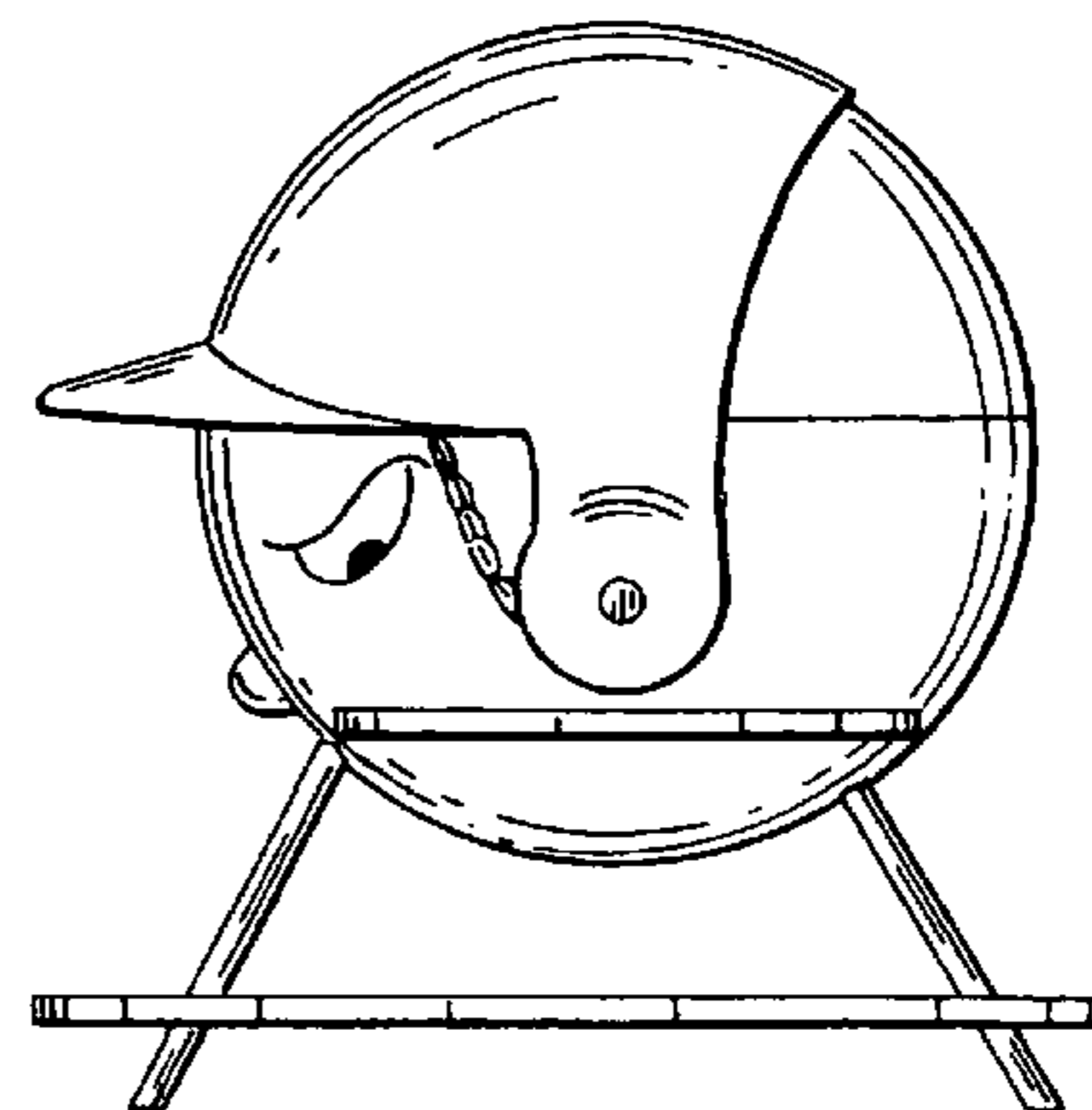
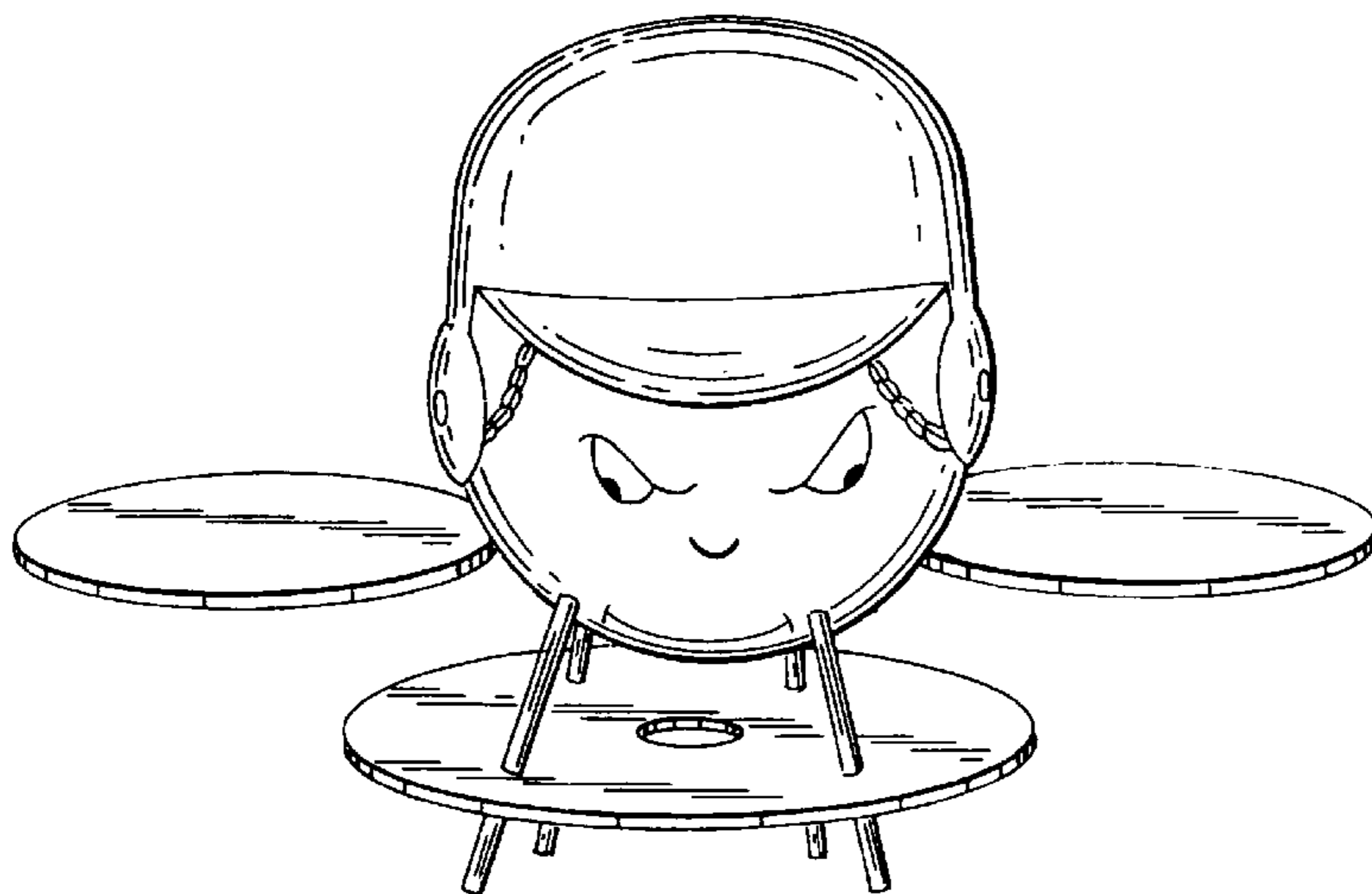


FIG. 1

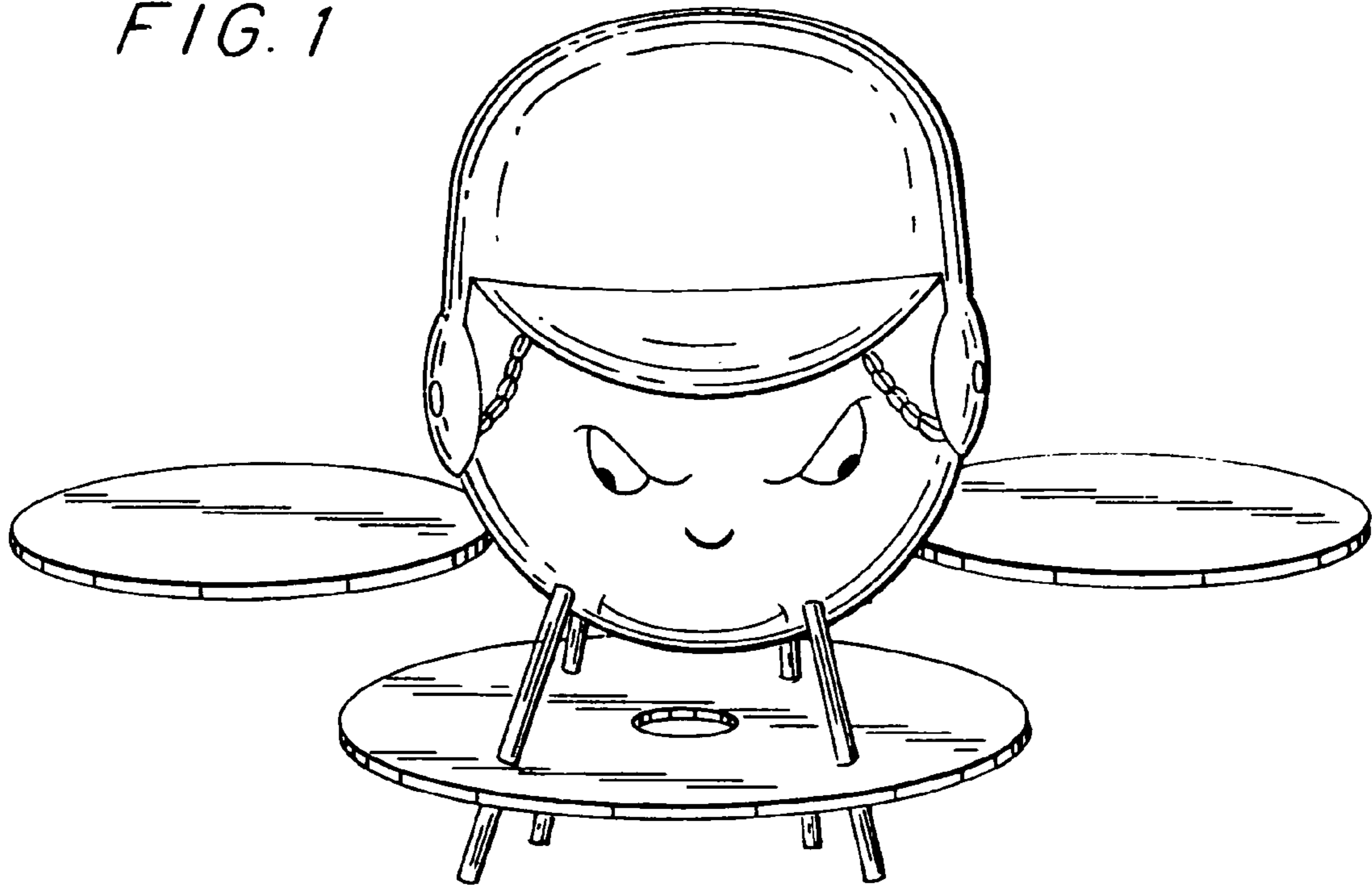


FIG. 2

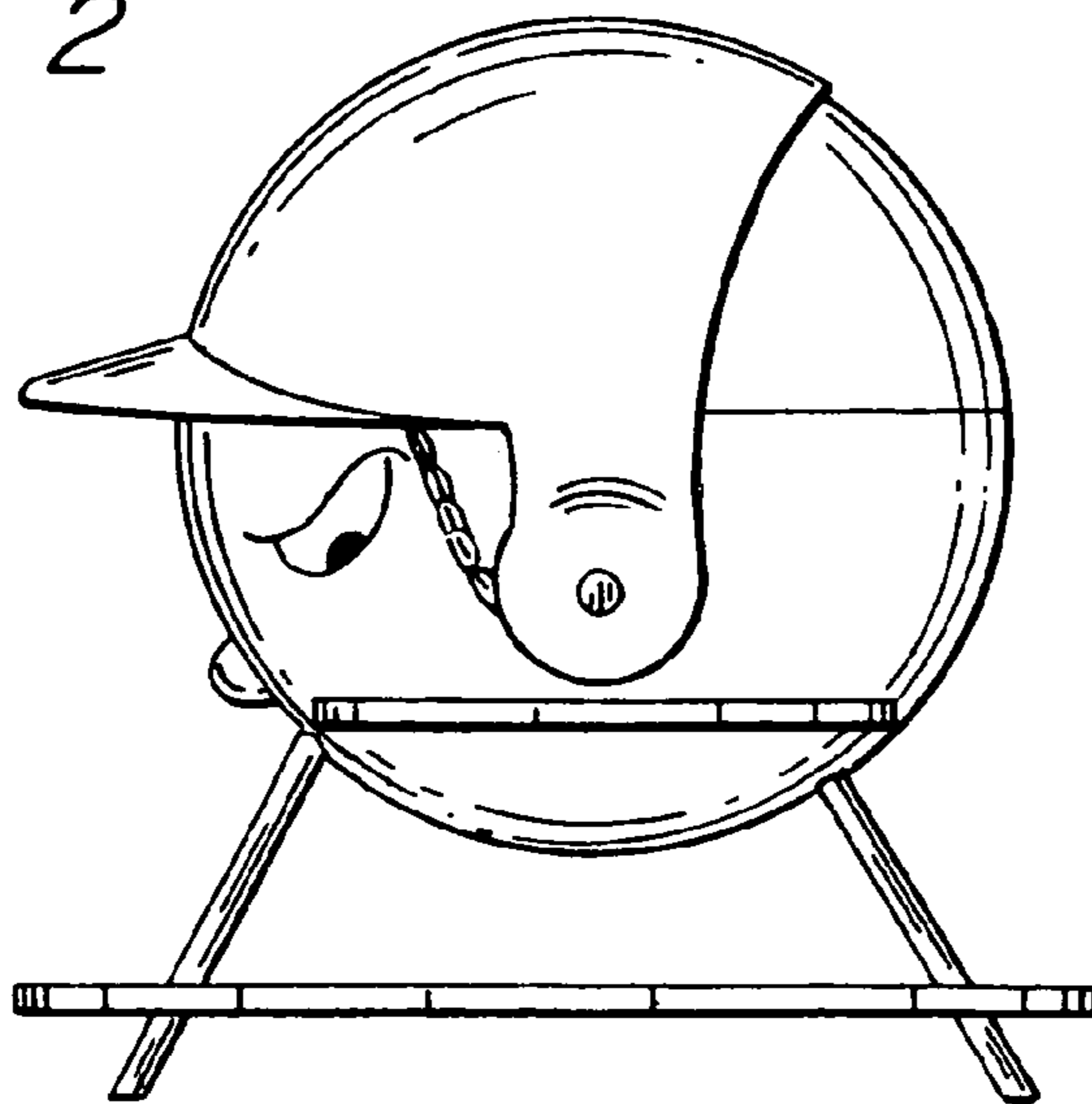


FIG. 3

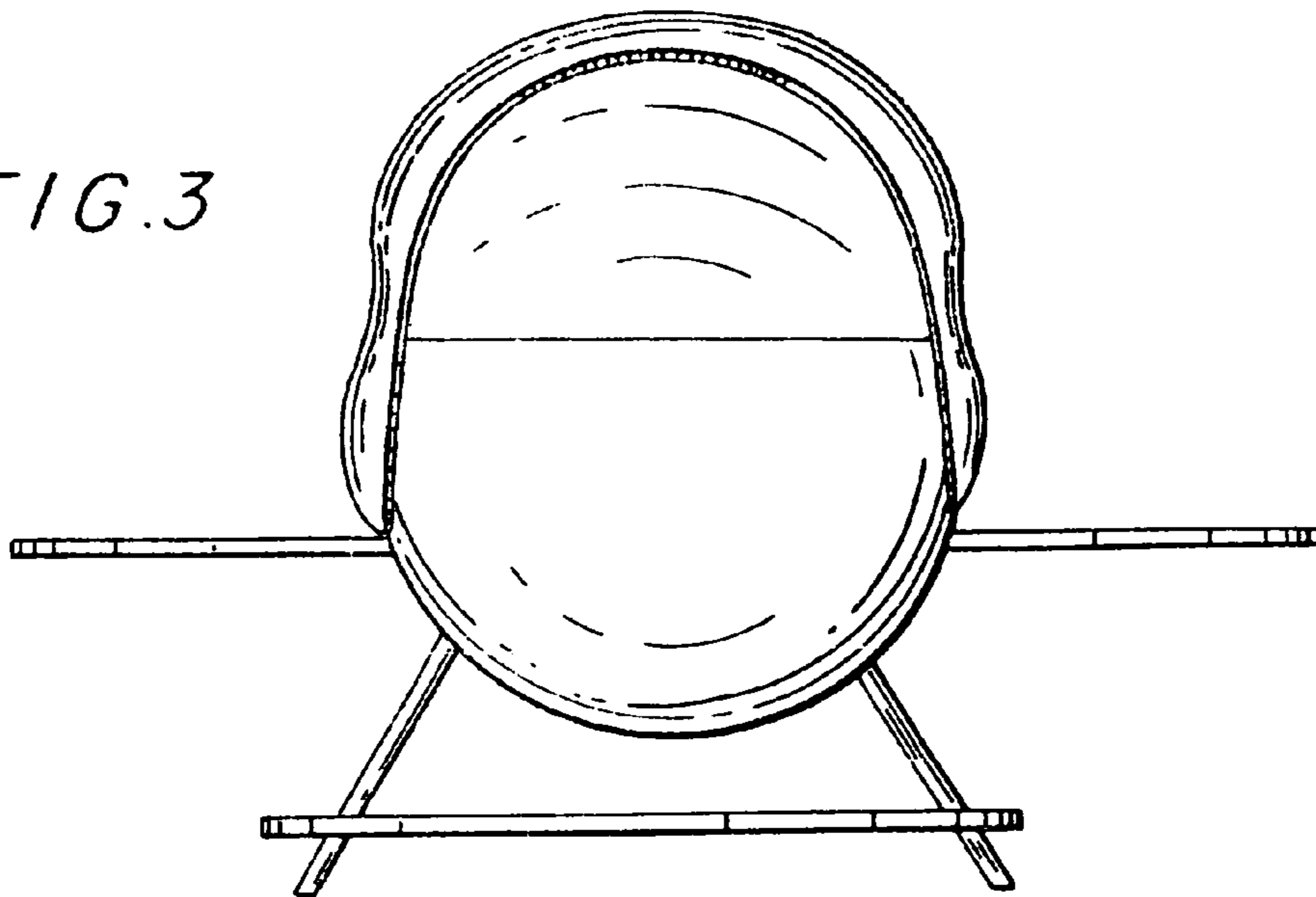


FIG. 4

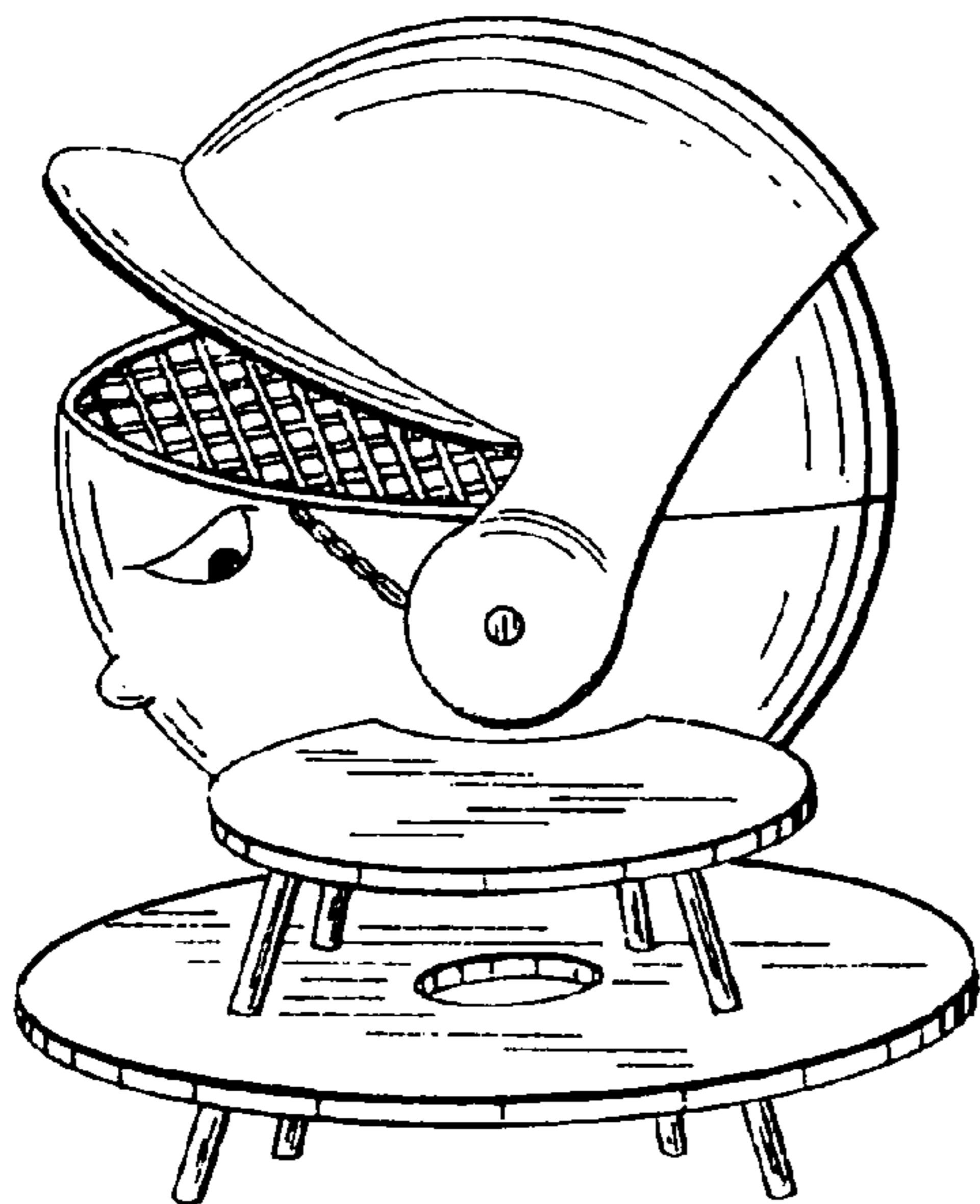


FIG. 5

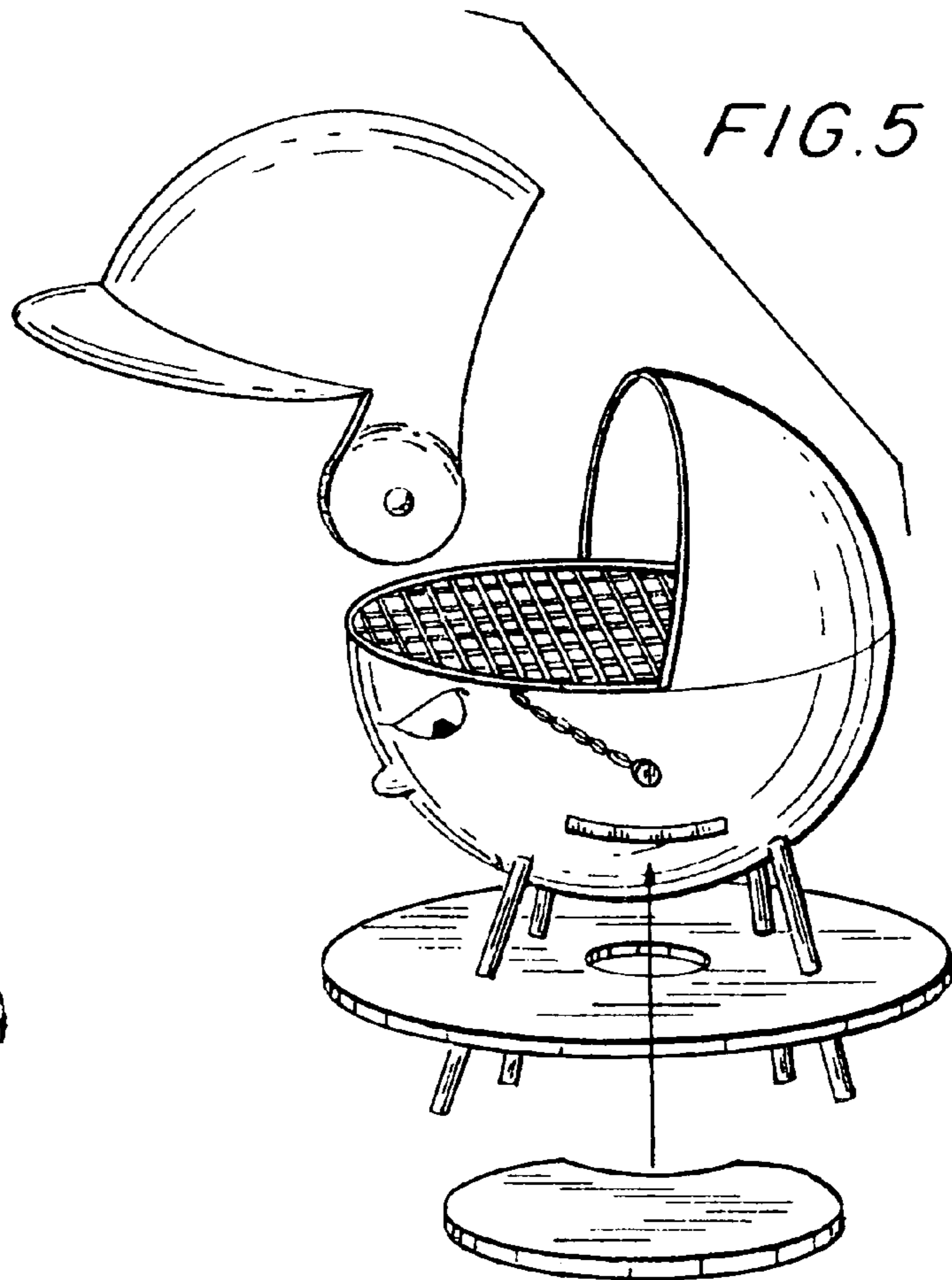


FIG. 6

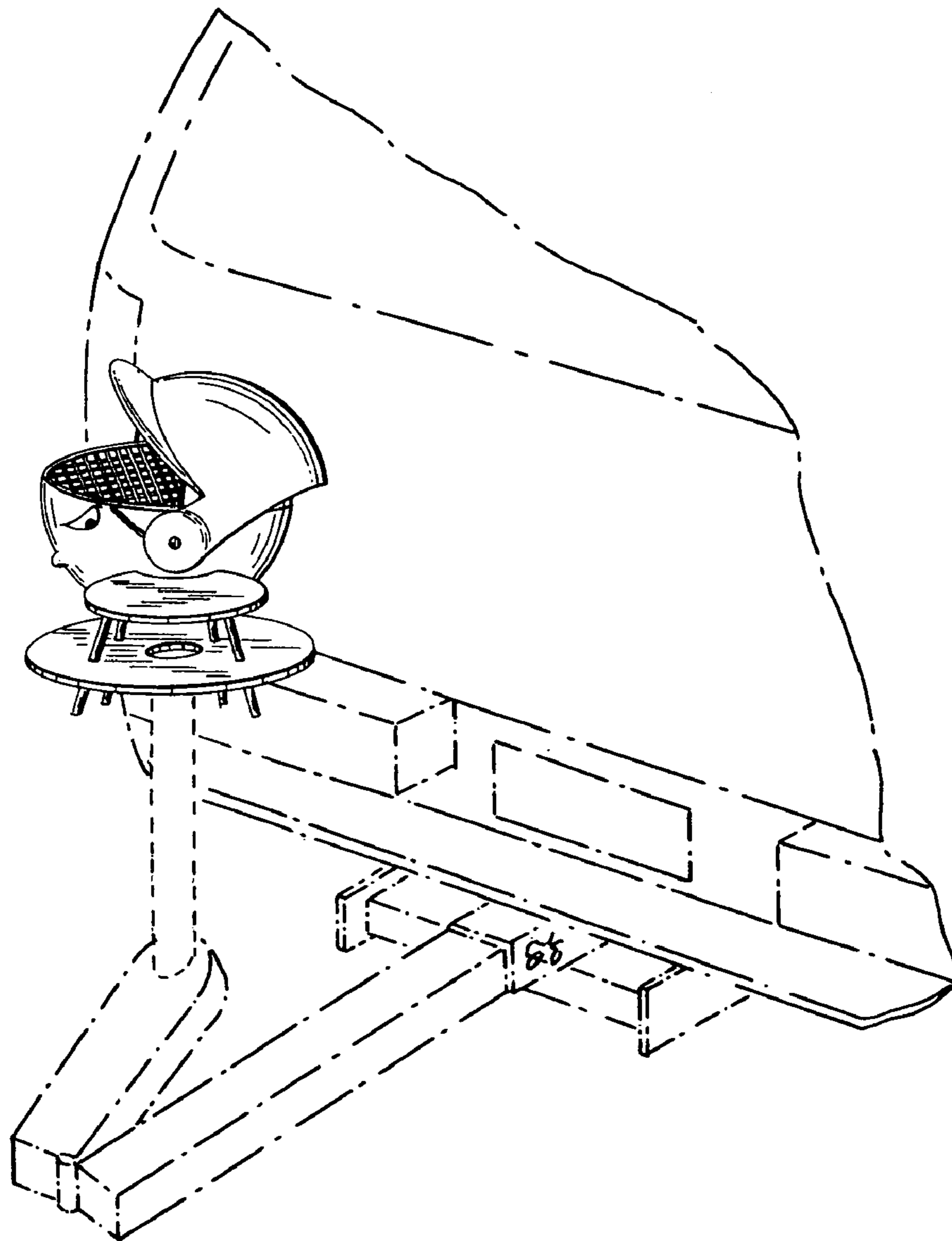


FIG. 7

