



US00D592003S

(12) **United States Design Patent**  
**Giugiaro**

(10) **Patent No.:** **US D592,003 S**

(45) **Date of Patent:** **\*\* \*May 12, 2009**

(54) **COFFEE MACHINE**

(75) Inventor: **Fabrizio Giugiaro**, Moncalieri IO (IT)

(73) Assignee: **Gruppo Cimbali S.p.A.**, Binasco, MI (IT)

(\*) Notice: This patent is subject to a terminal disclaimer.

(\*\*) Term: **14 Years**

(21) Appl. No.: **29/300,584**

(22) Filed: **Apr. 11, 2008**

(30) **Foreign Application Priority Data**

Nov. 10, 2007 (EM) ..... 000806682

(51) **LOC (9) Cl.** ..... **07-01**

(52) **U.S. Cl.** ..... **D7/309; D7/311; D7/308**

(58) **Field of Classification Search** ..... D7/300,  
D7/306-311; 99/297, 300, 302, 279  
See application file for complete search history.

(56) **References Cited**

**U.S. PATENT DOCUMENTS**

D395,975 S \* 7/1998 Munoz ..... D7/308  
D417,580 S \* 12/1999 Fusi ..... D7/309  
D439,788 S \* 4/2001 Bettini ..... D7/309

D476,842 S \* 7/2003 Cortese ..... D7/309  
D479,842 S \* 9/2003 Liu et al. .... D14/403  
6,766,728 B2 \* 7/2004 Fogagnolo et al. .... 99/280  
6,862,978 B1 \* 3/2005 Fogagnolo ..... 99/279  
D551,487 S \* 9/2007 Beretta ..... D7/309  
D573,393 S \* 7/2008 Trazzi ..... D7/309

\* cited by examiner

*Primary Examiner*—Marianne Pandozzi

(74) *Attorney, Agent, or Firm*—Nixon & Vanderhye

(57) **CLAIM**

The ornamental design for a “coffee machine,” as shown and described.

**DESCRIPTION**

FIG. 1 is a perspective view of the front and one side of the design;

FIG. 2 is a front elevational view of the design;

FIG. 3 is a rear elevational view of the design;

FIG. 4 is a plan view of the top of the design;

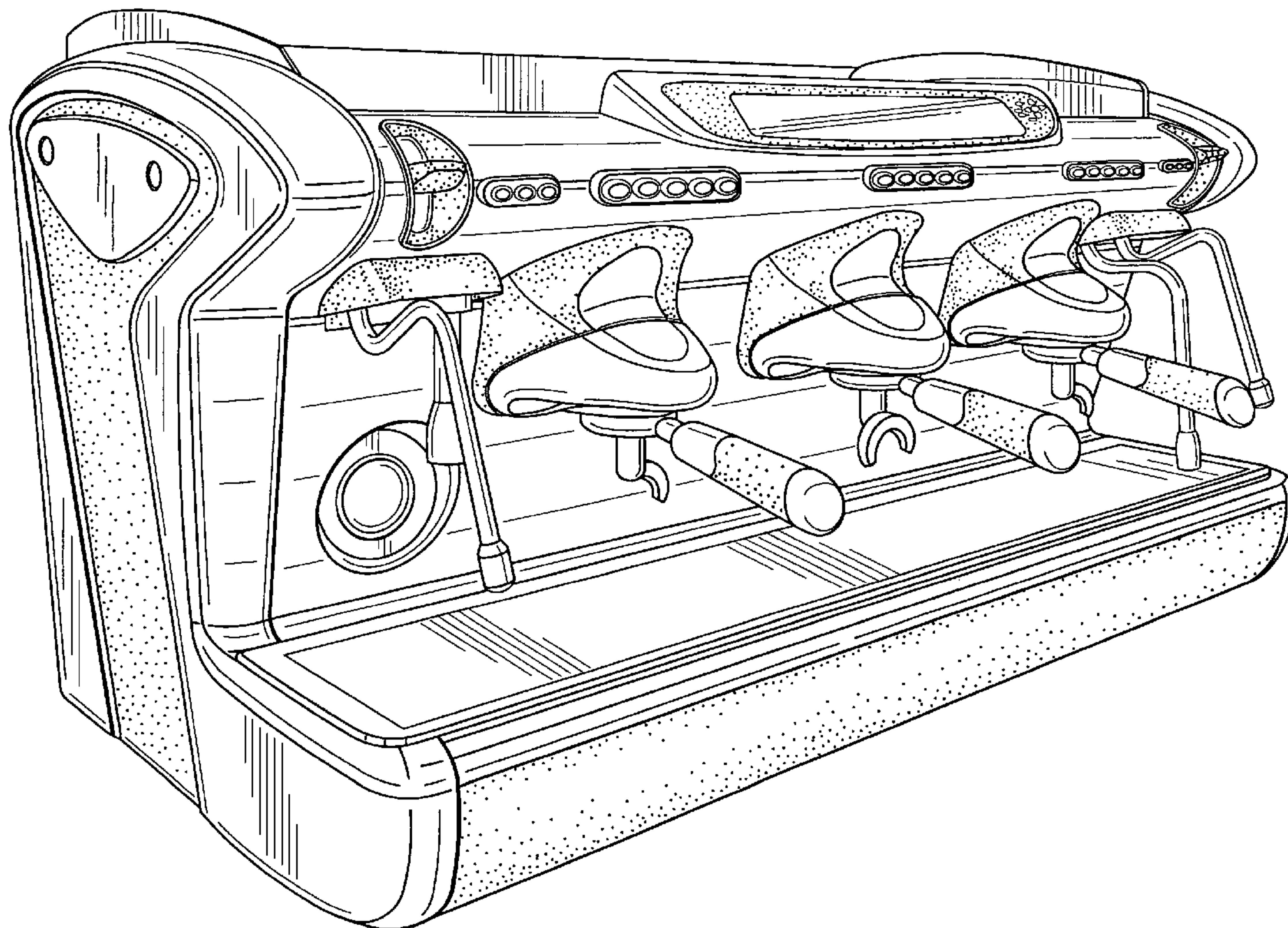
FIG. 5 is a plan view of the bottom of the design;

FIG. 6 is an elevational view of one side of the design; and,

FIG. 7 is an elevational view of the other side of the design.

The broken lines in FIG. 5 are included for the purpose of illustration and form no part of the claimed design.

**1 Claim, 7 Drawing Sheets**



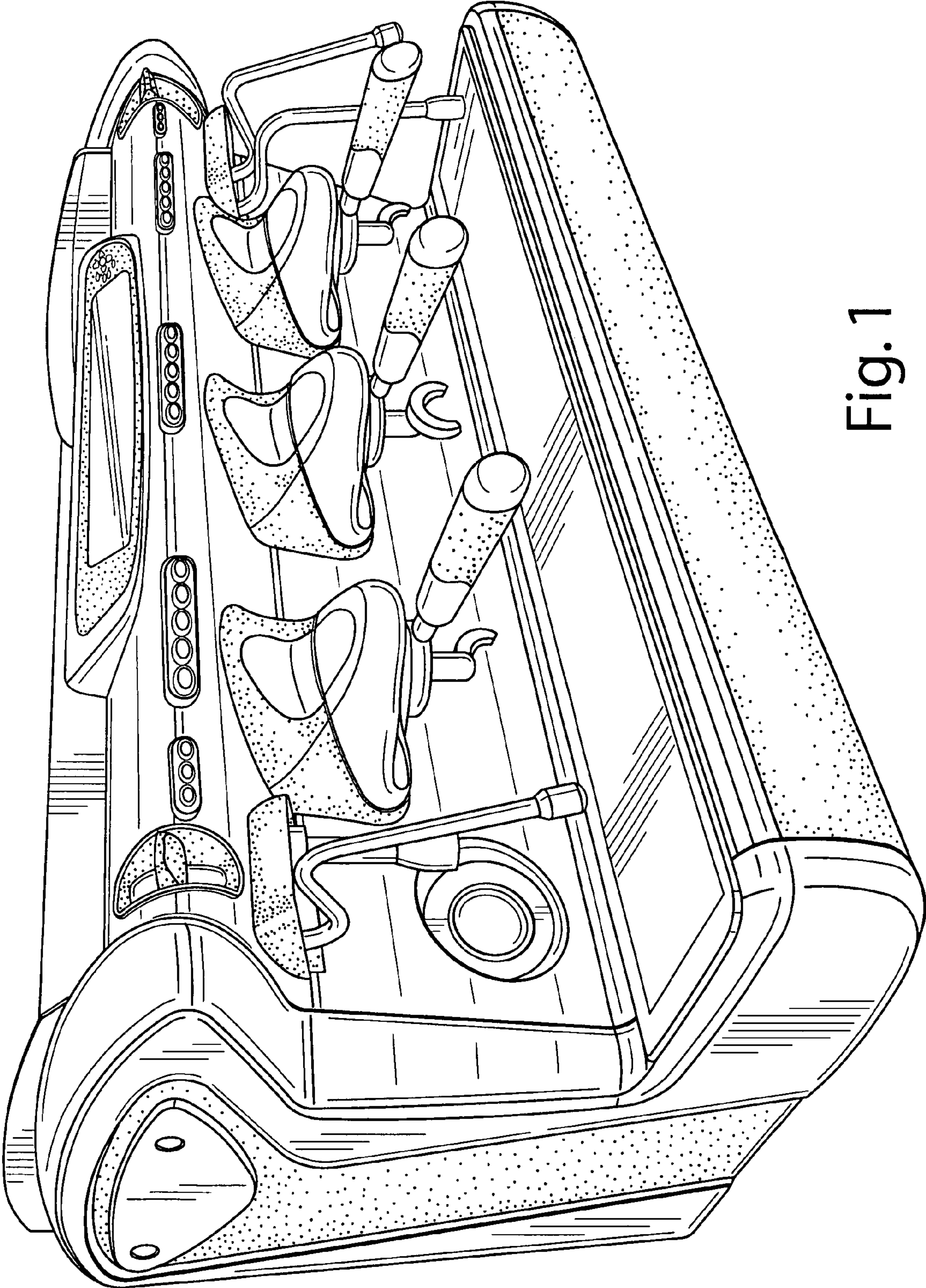


Fig. 1



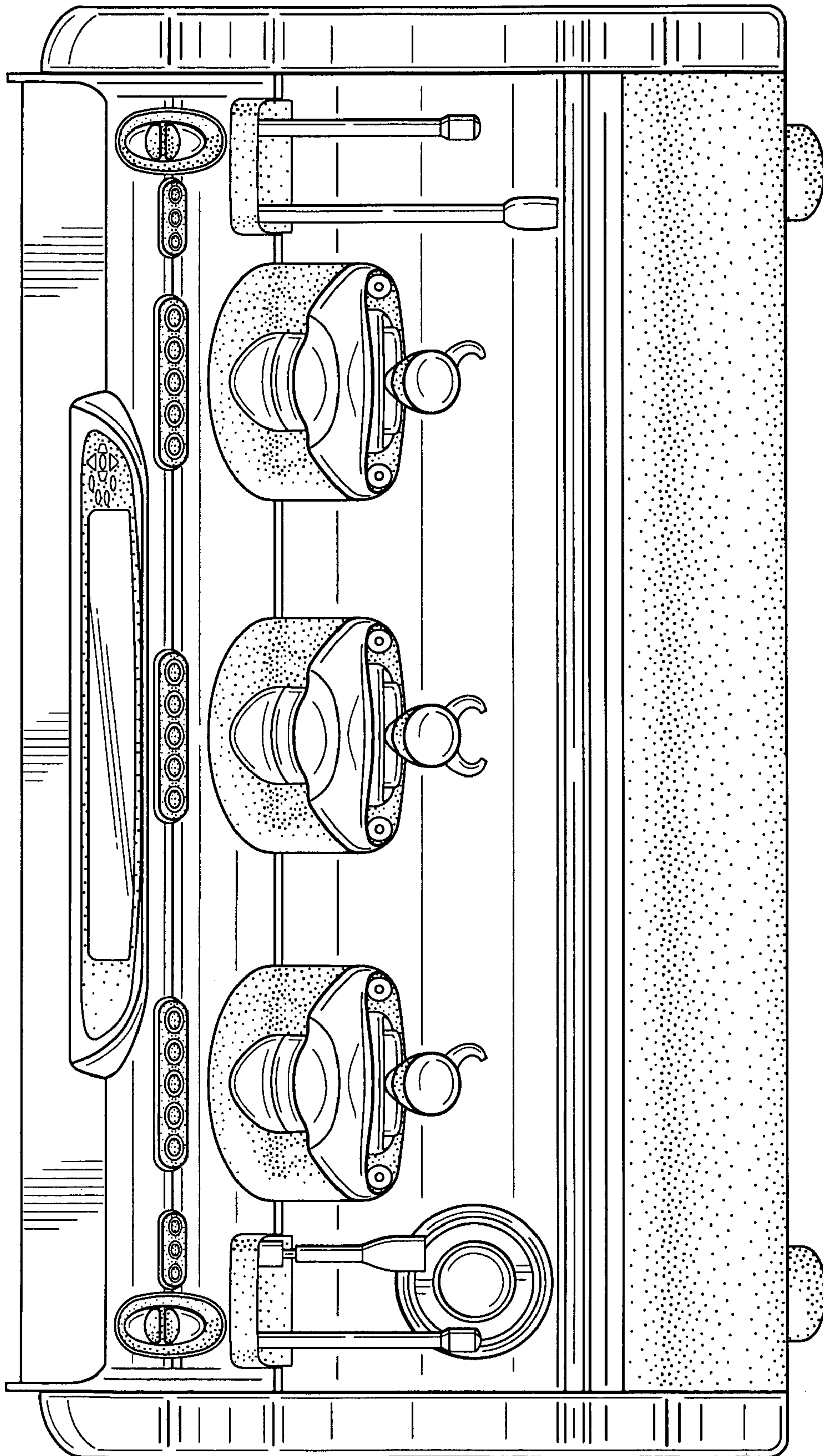


Fig. 2

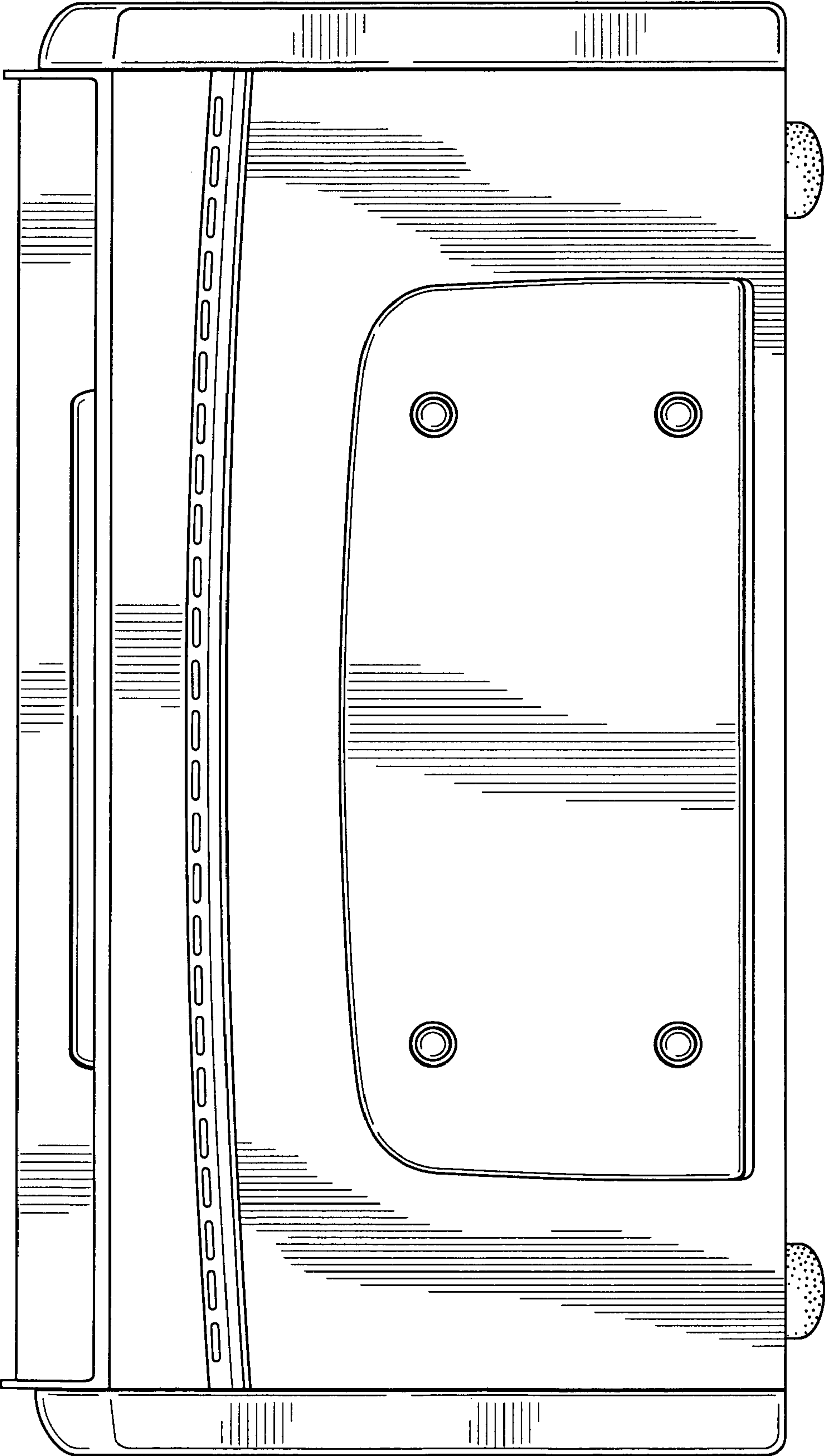


Fig. 3

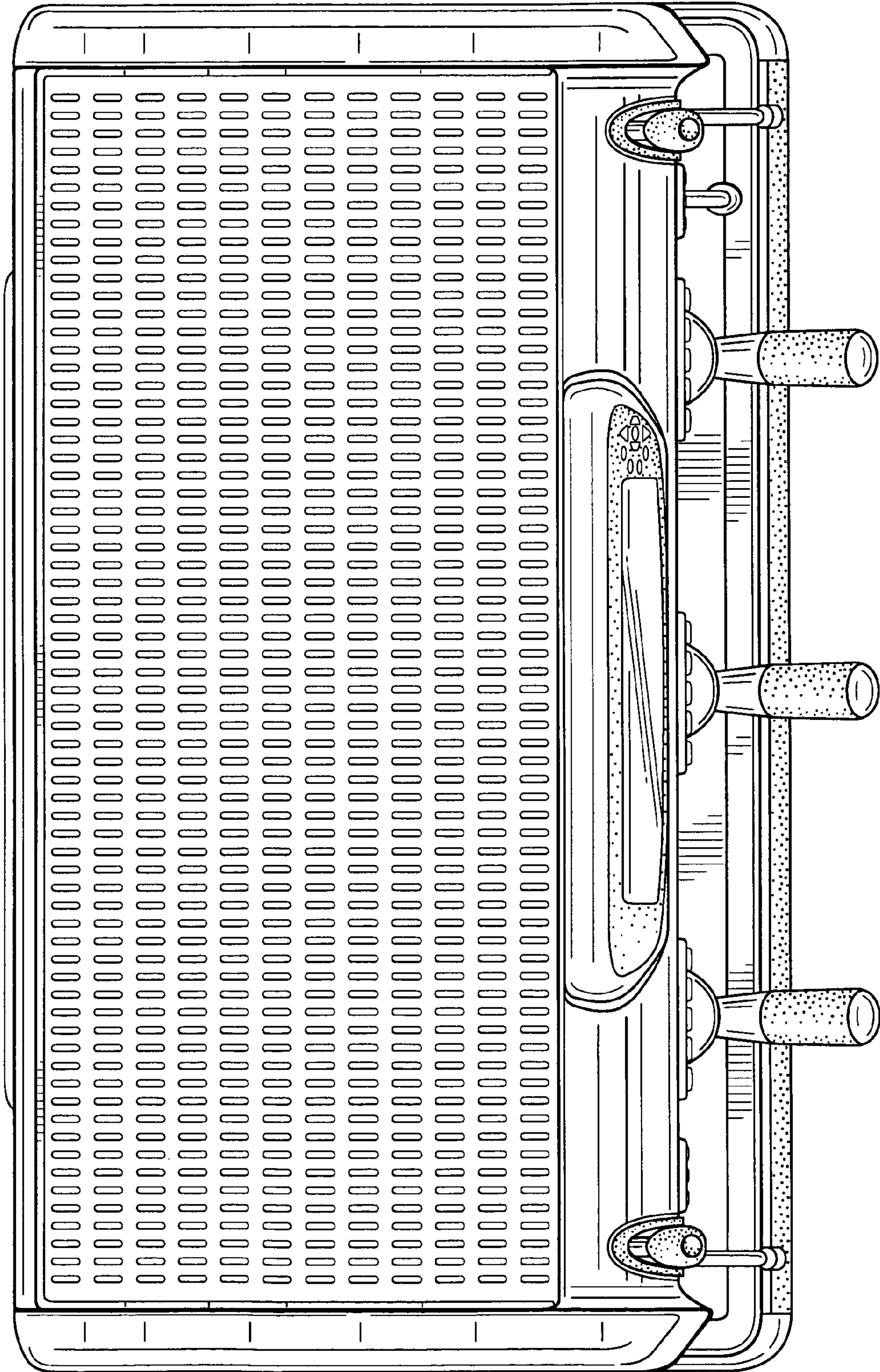


Fig. 4

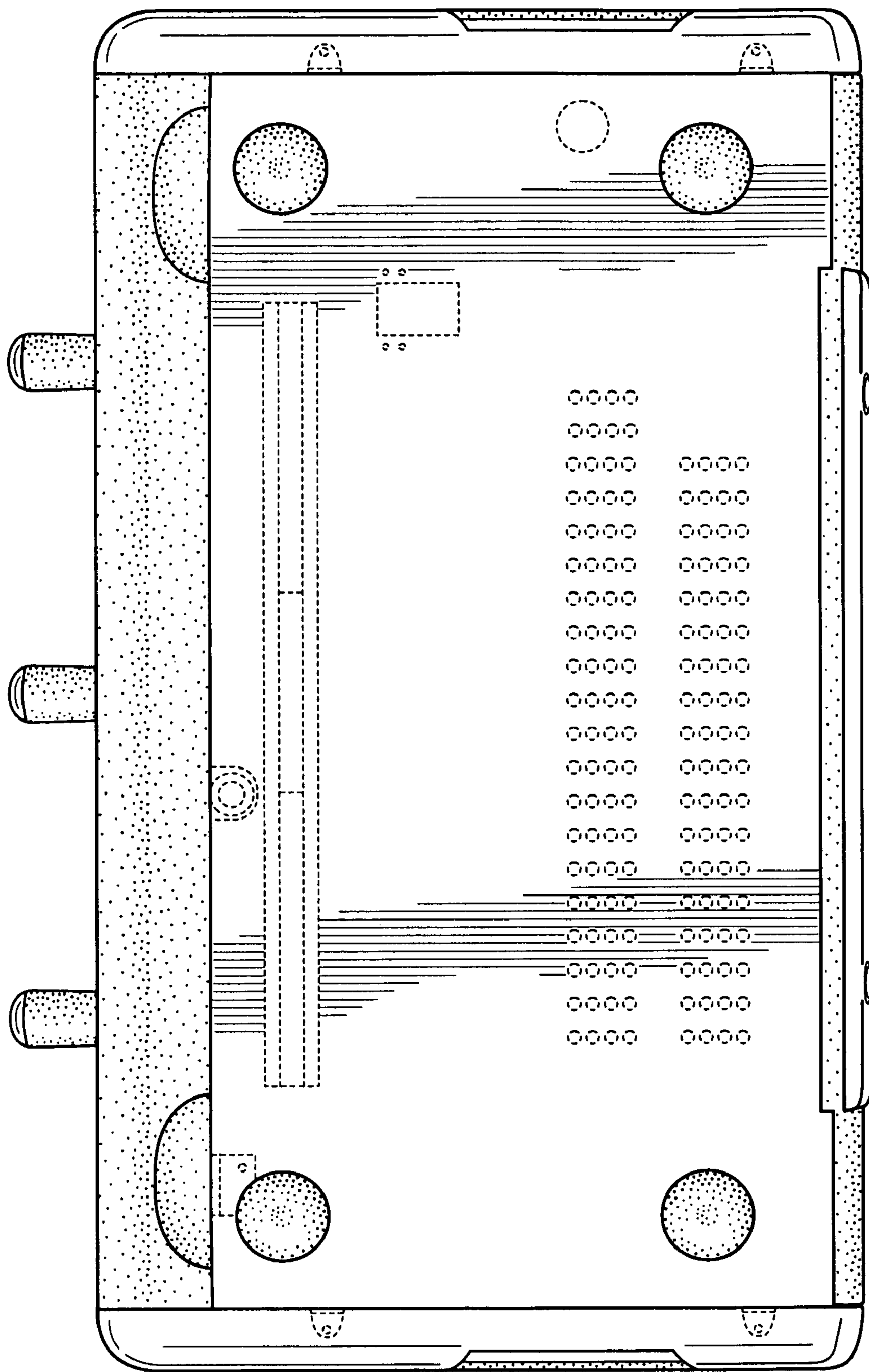


Fig. 5



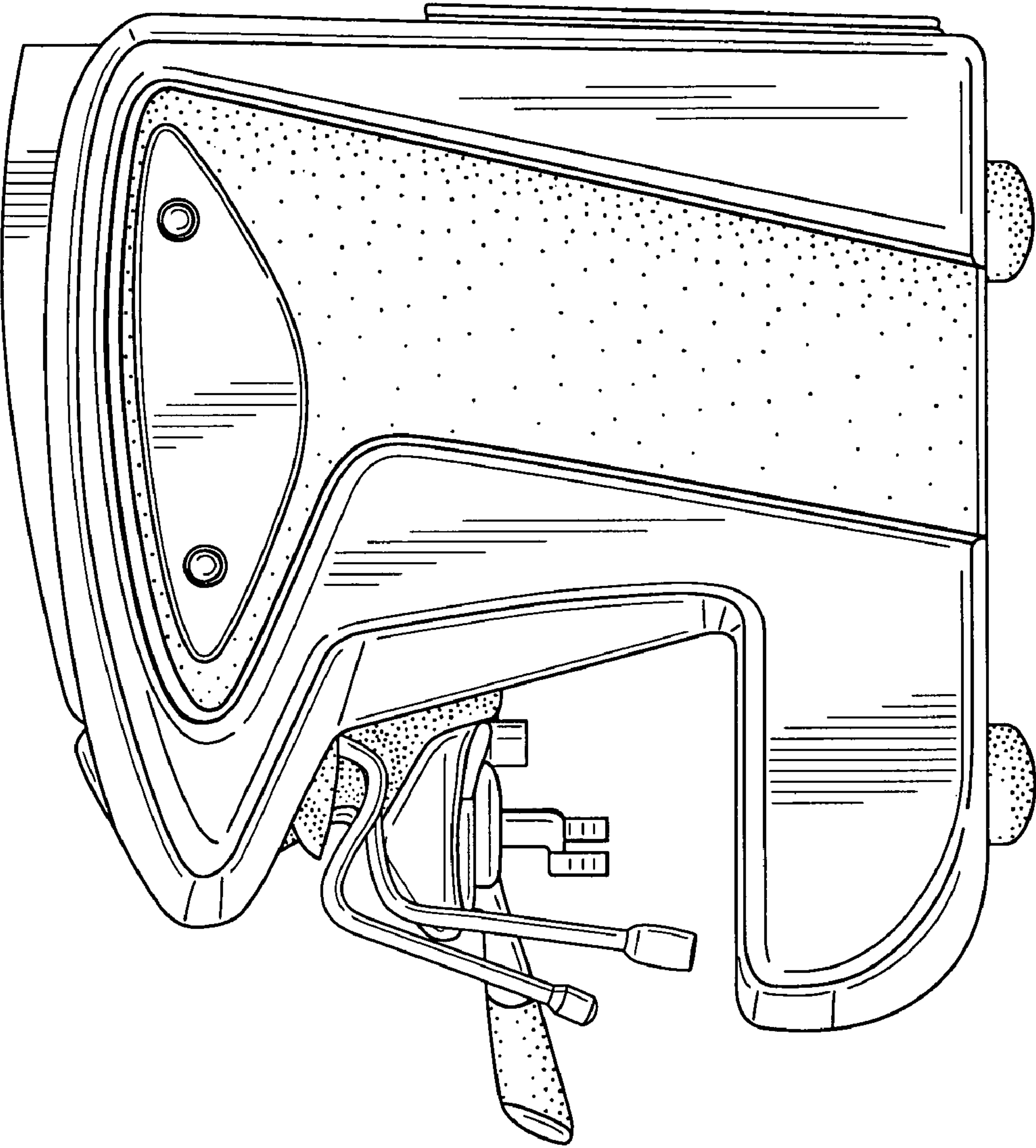


Fig. 6

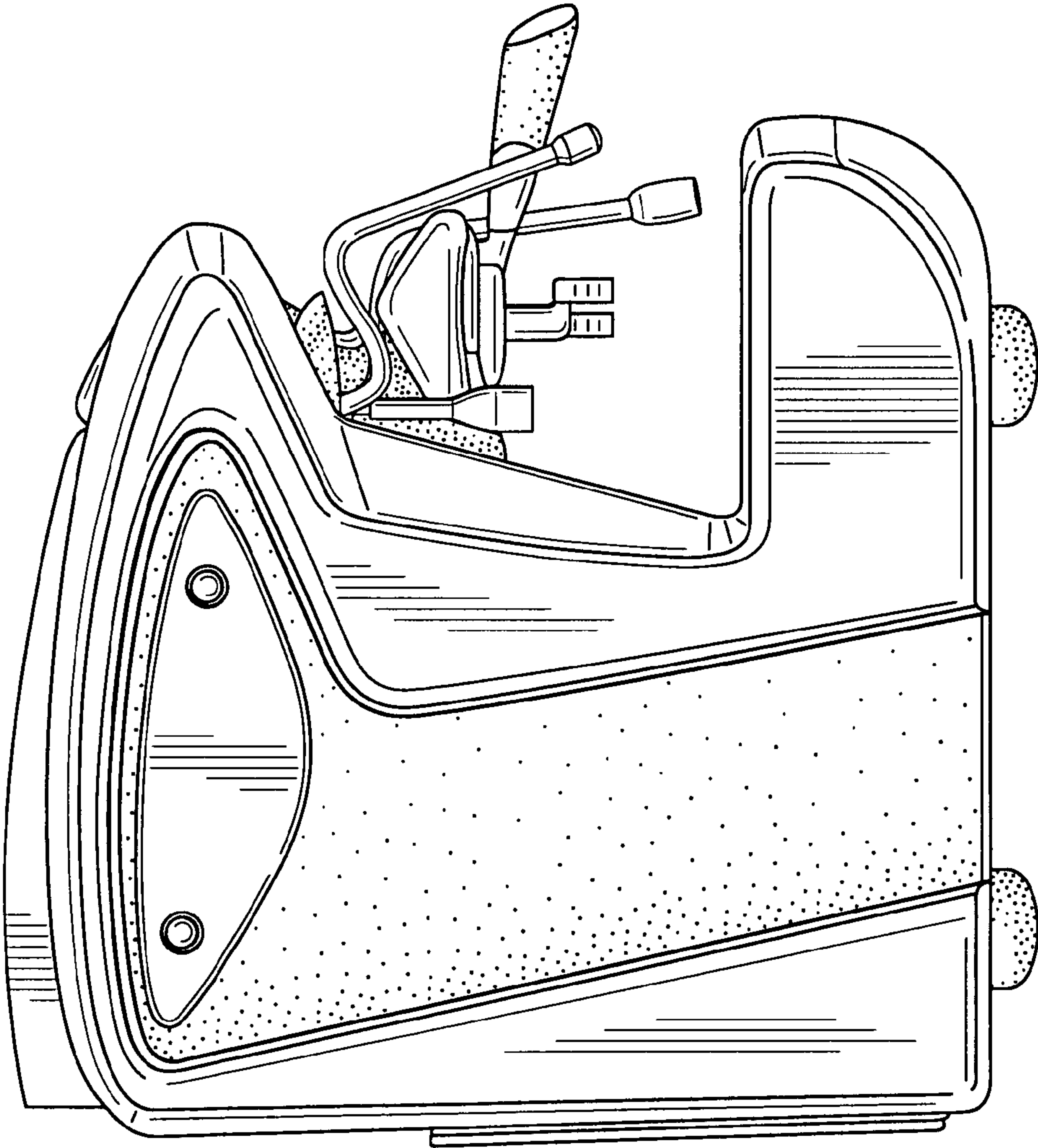


Fig. 7