



US00D591992S

(12) **United States Design Patent**
Brown

(10) **Patent No.:** **US D591,992 S**

(45) **Date of Patent:** **** May 12, 2009**

(54) **DRAPE CADDY**

(76) **Inventor:** **Steve J. Brown**, 11011 Watchful Fox
Dr., Austin, TX (US) 78748

(**) **Term:** **14 Years**

(21) **Appl. No.:** **29/329,985**

(22) **Filed:** **Dec. 24, 2008**

Related U.S. Application Data

(63) Continuation of application No. 11/625,292, filed on
Jan. 20, 2007.

(51) **LOC (9) Cl.** **06-10**

(52) **U.S. Cl.** **D6/580**

(58) **Field of Classification Search** D6/575,
D6/577, 579, 580, 581; D8/349, 354, 357,
D8/380, 382; 160/330; 403/167, 169; 248/300,
248/309.1, 674; 52/506.5, 586.1
See application file for complete search history.

(56) **References Cited**

U.S. PATENT DOCUMENTS

D343,979 S * 2/1994 Rapp et al. D6/581

D348,166 S * 6/1994 Richmond D6/580
D357,381 S * 4/1995 Anderson D6/580
D419,816 S * 2/2000 Harkinson D6/580
D513,144 S * 12/2005 Phillips-Brookshire D6/579
D569,158 S * 5/2008 Chou D6/580

* cited by examiner

Primary Examiner—Robert M. Spear

Assistant Examiner—Barbara B Lohr

(74) *Attorney, Agent, or Firm*—David Allen Hall

(57) **CLAIM**

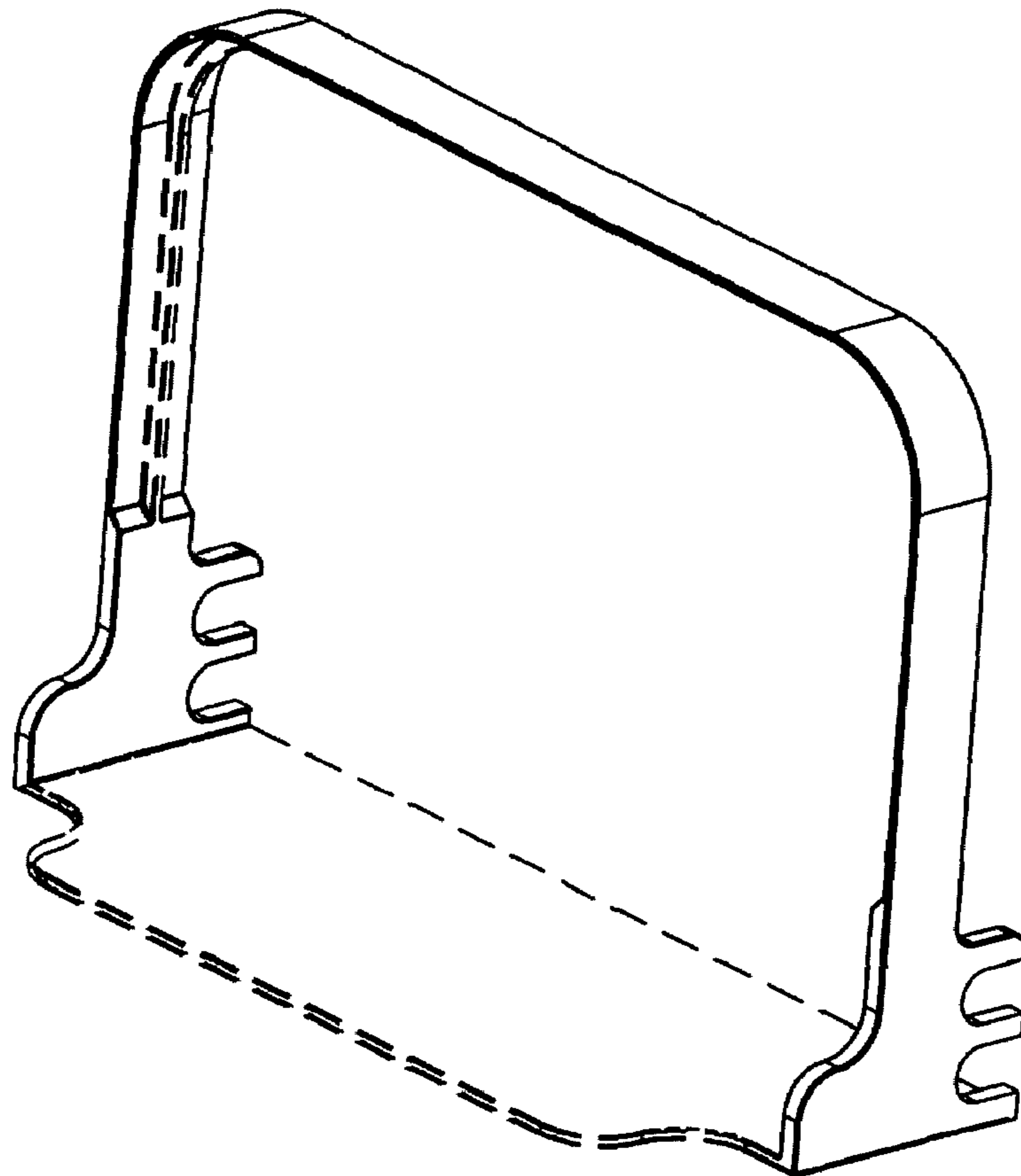
The ornamental design for a portion of a drape caddy, as
shown and described.

DESCRIPTION

FIGS. 1 and 2 are perspective views of Applicant's drape
caddy.

The dashed lines in FIGS. 1 and 2 illustrate possible acces-
sories for or appendages of Applicant's drape caddy, and form
no part of the claimed design.

1 Claim, 1 Drawing Sheet



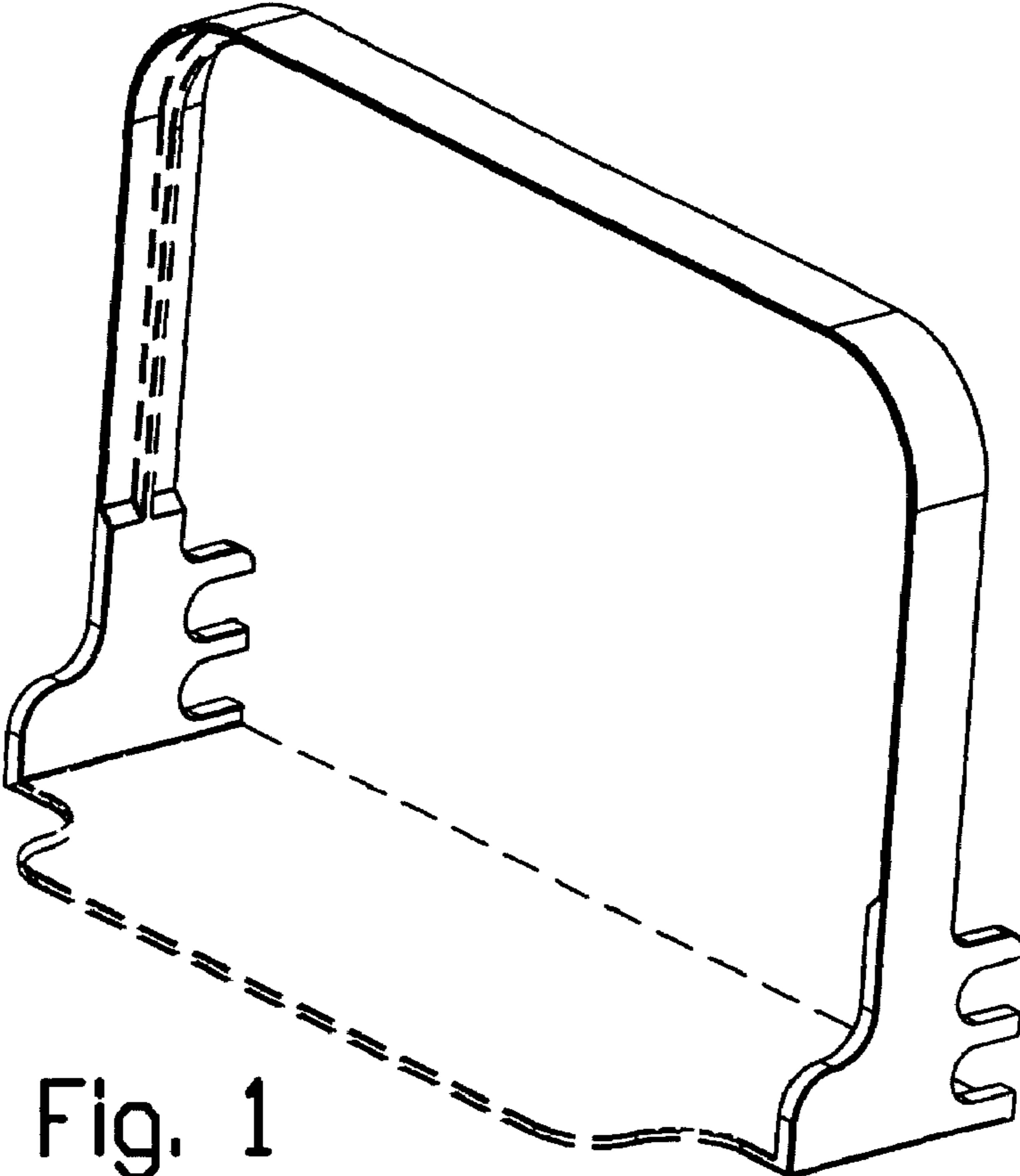


Fig. 1

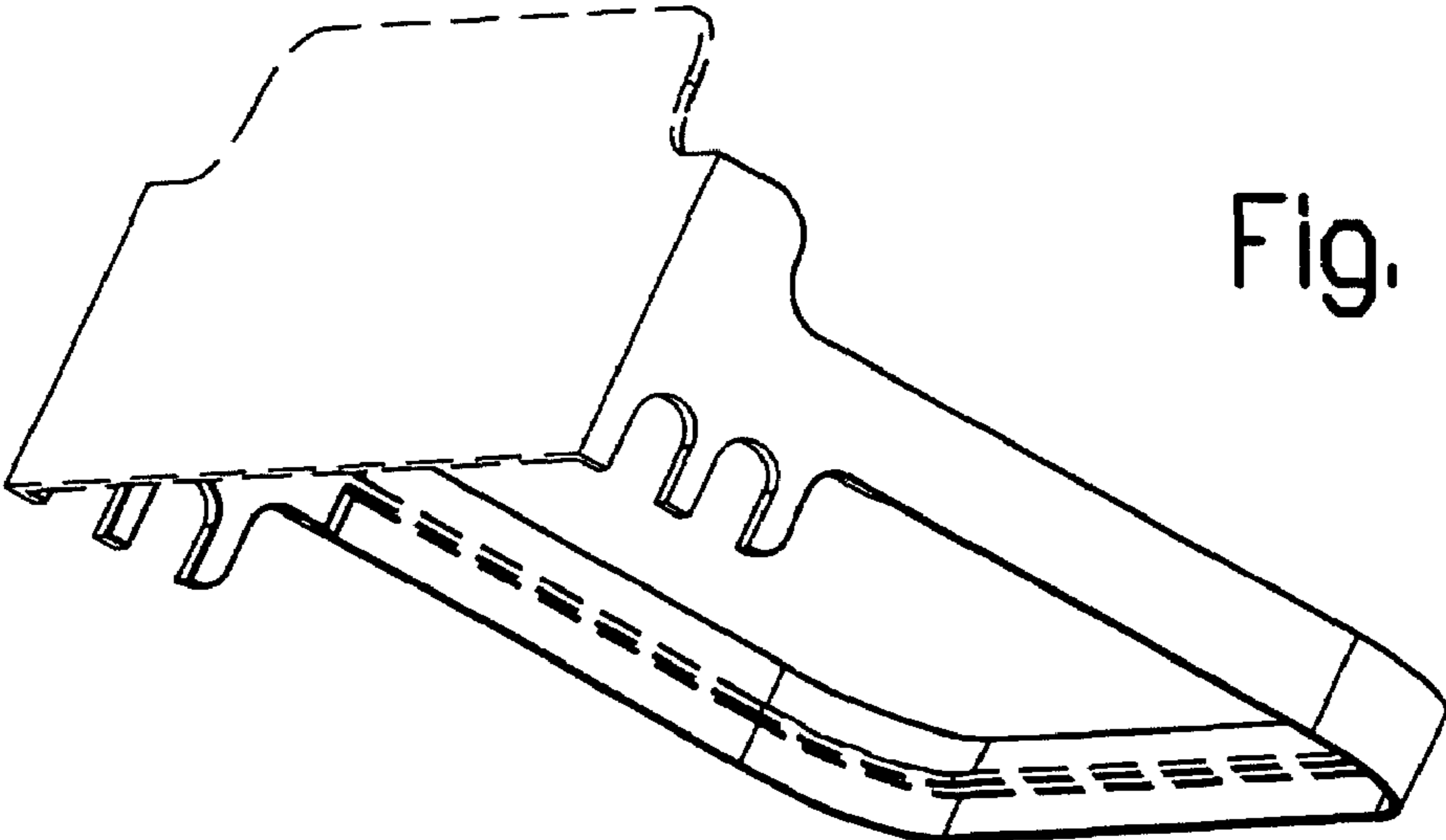


Fig. 2