



US00D591990S

(12) **United States Design Patent**  
**Serfaty**

(10) **Patent No.:** **US D591,990 S**

(45) **Date of Patent:** **\*\* May 12, 2009**

(54) **DISPENSER FOR WET AND DRY PAPER**

(76) Inventor: **Armand Serfaty**, 130 W. 57<sup>th</sup> St., New York, NY (US) 10019

(\*\*) Term: **14 Years**

(21) Appl. No.: **29/308,283**

(22) Filed: **Jun. 6, 2008**

(51) **LOC (9) Cl.** ..... **20-02**

(52) **U.S. Cl.** ..... **D6/518**

(58) **Field of Classification Search** ..... D6/518-523;  
206/389, 390, 395; 221/282-283; 312/34.8;  
242/570, 560, 590, 597.7, 598

See application file for complete search history.

(56) **References Cited**

**U.S. PATENT DOCUMENTS**

D462,860 S *	9/2002	Orlando	.....	D6/518
D488,655 S *	4/2004	Tramontina et al.	.....	D6/518
D504,794 S *	5/2005	Sellars	.....	D6/522
D522,780 S *	6/2006	Sellars	.....	D6/518
D550,008 S *	9/2007	Hager et al.	.....	D6/518
D550,999 S *	9/2007	Formon et al.	.....	D6/518
D551,477 S *	9/2007	Kikuchi	.....	D6/522
D557,959 S *	12/2007	Pommier et al.	.....	D6/523
D564,269 S *	3/2008	Paal et al.	.....	D6/518
D569,667 S *	5/2008	Ovelar	.....	D6/518
D571,135 S *	6/2008	Collado	.....	D6/518
D572,514 S *	7/2008	Bickler et al.	.....	D6/518

\* cited by examiner

*Primary Examiner*—Brian N Vinson  
(74) *Attorney, Agent, or Firm*—Ladas and Parry LLP

(57) **CLAIM**

The ornamental design for a dispenser for wet and dry paper, as shown and described.

**DESCRIPTION**

FIG. 1 is a top, front, and left side perspective view of a dispenser for wet and dry paper showing a first embodiment of my new design;

FIG. 2 is a right side elevational view thereof;

FIG. 3 is a front elevational view thereof;

FIG. 4 is a rear elevational view thereof;

FIG. 5 is a top plan view thereof, the bottom being a mirror image of that shown;

FIG. 6 is an exploded top, front, and right side perspective view thereof;

FIG. 7 is a top, front, and left side perspective view of a dispenser for wet and dry paper showing a second embodiment of my new design, the broken-line disclosure being for illustrative purposes only and forming no part of the claimed design;

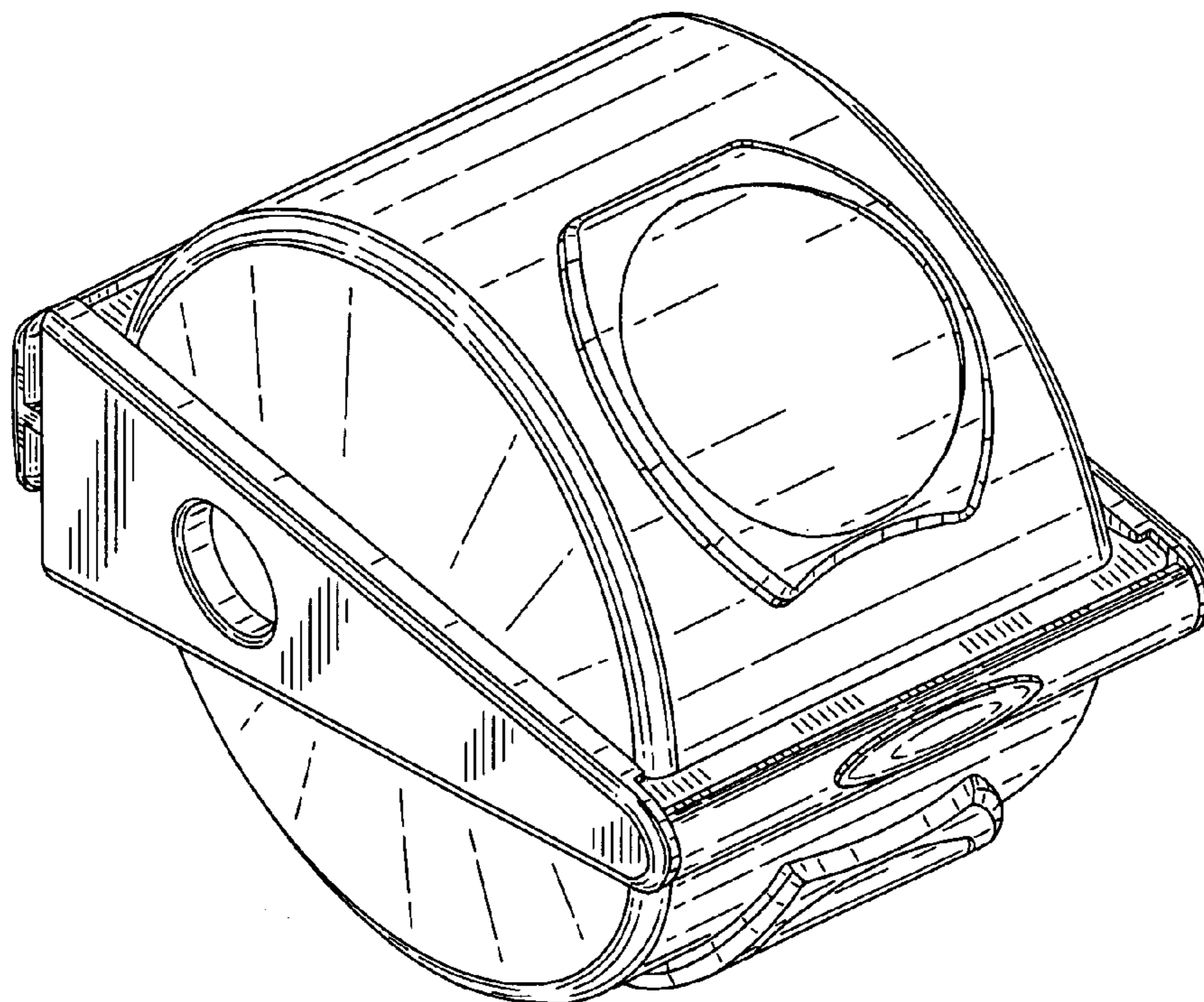
FIG. 8 is a right side elevational view thereof;

FIG. 9 is a front elevational view thereof;

FIG. 10 is a rear elevational view thereof; and,

FIG. 11 is a top plan view thereof, the bottom being a mirror image of that shown.

**1 Claim, 7 Drawing Sheets**



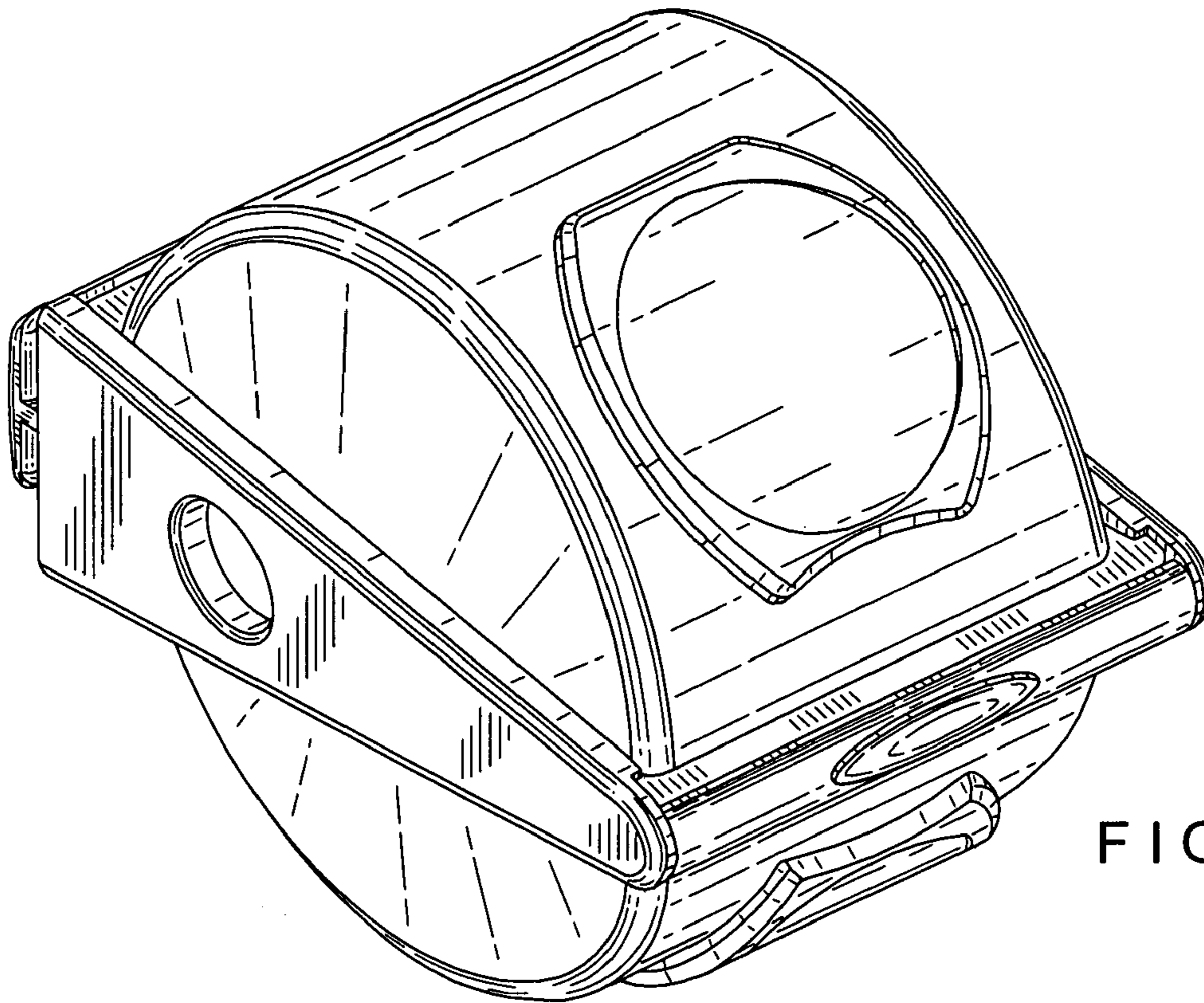


FIG. 1

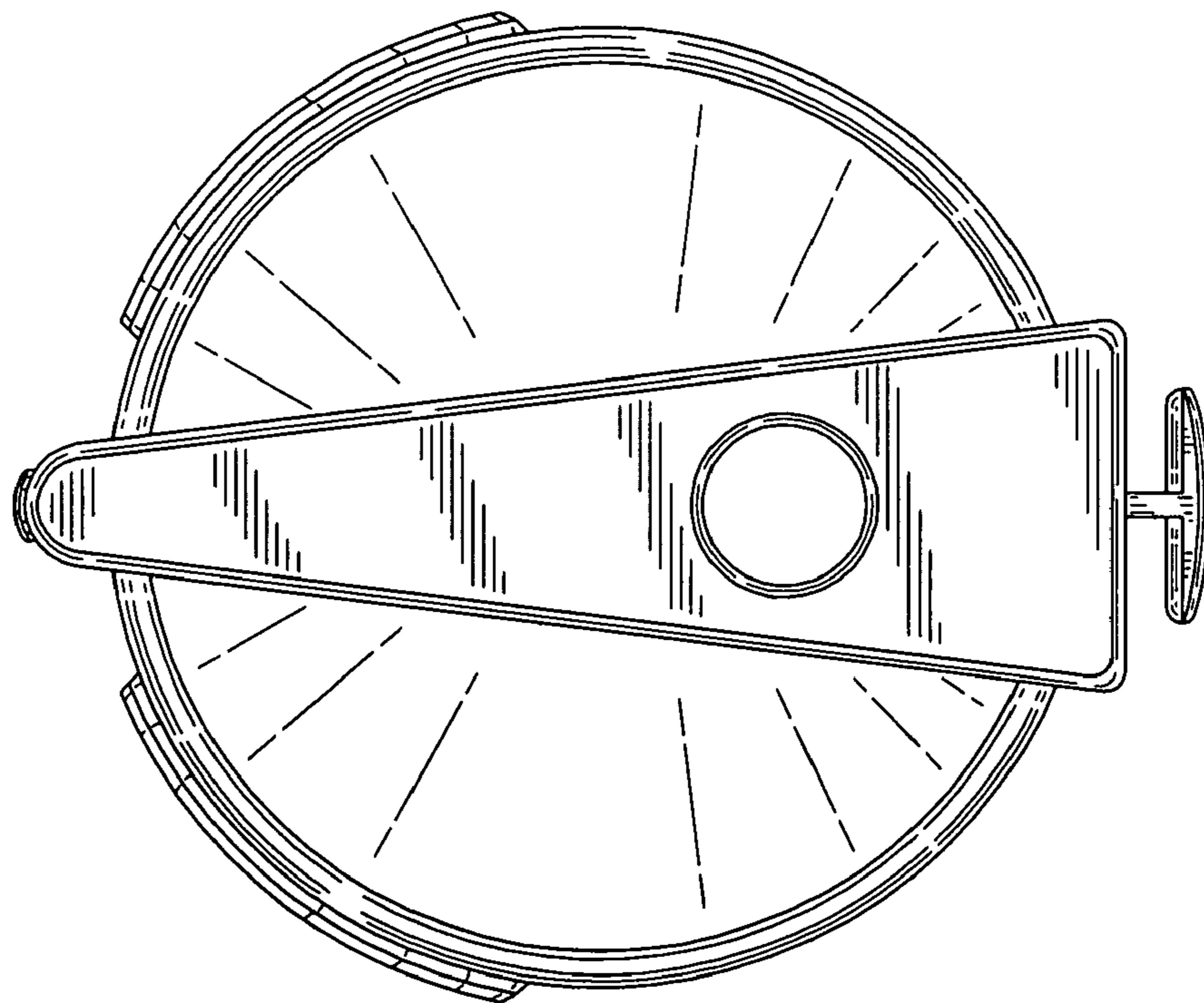


FIG. 2

FIG. 3

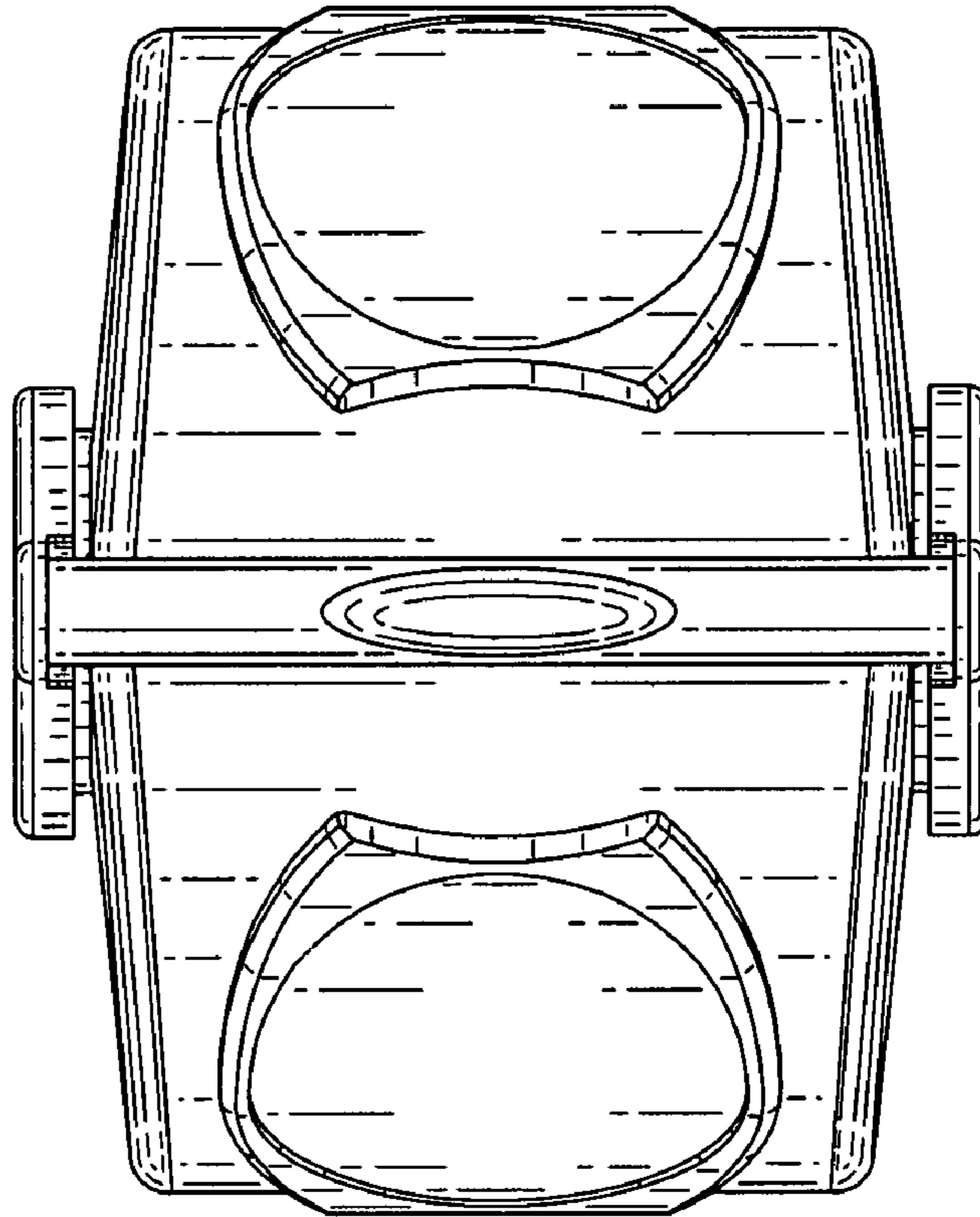
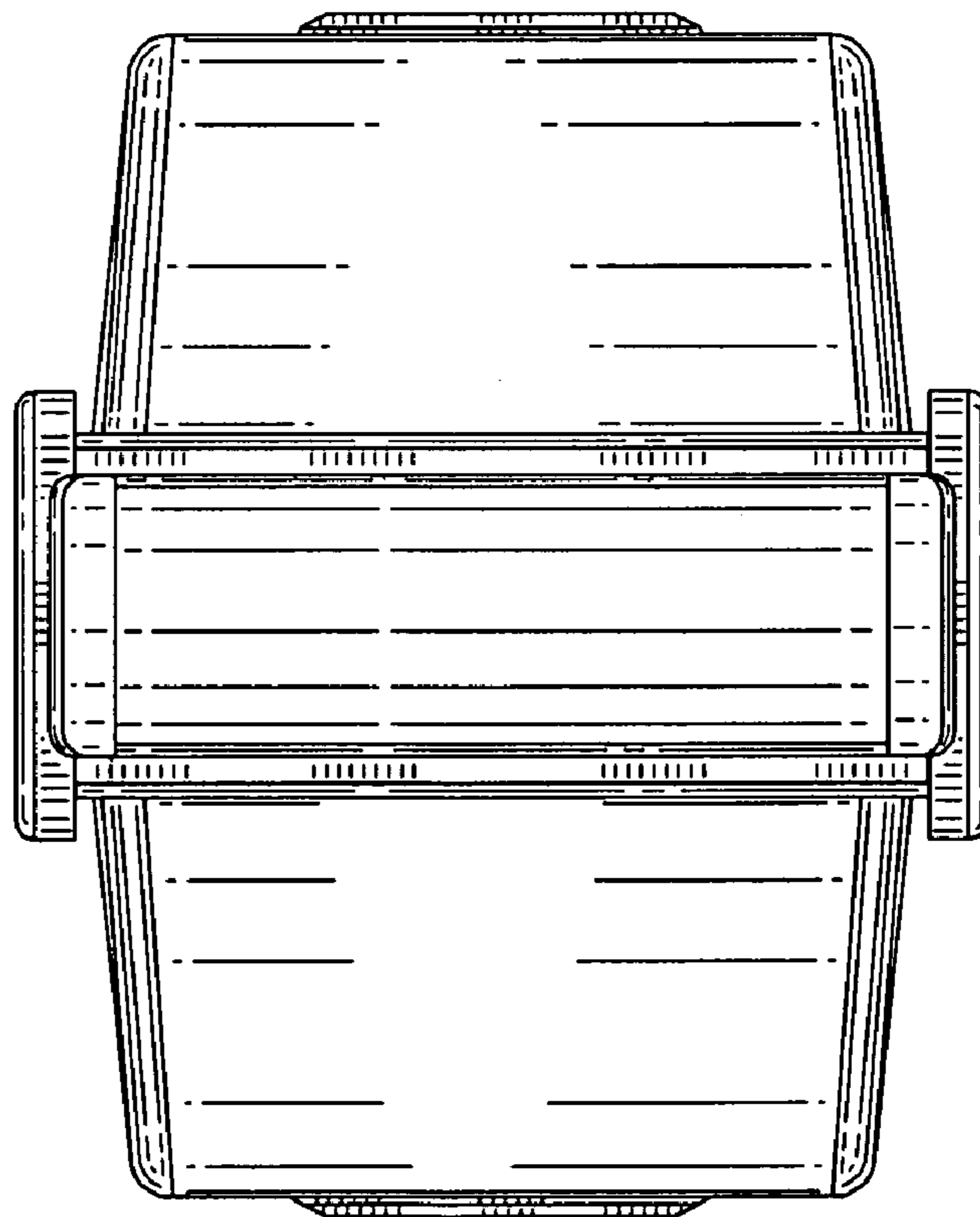


FIG. 4



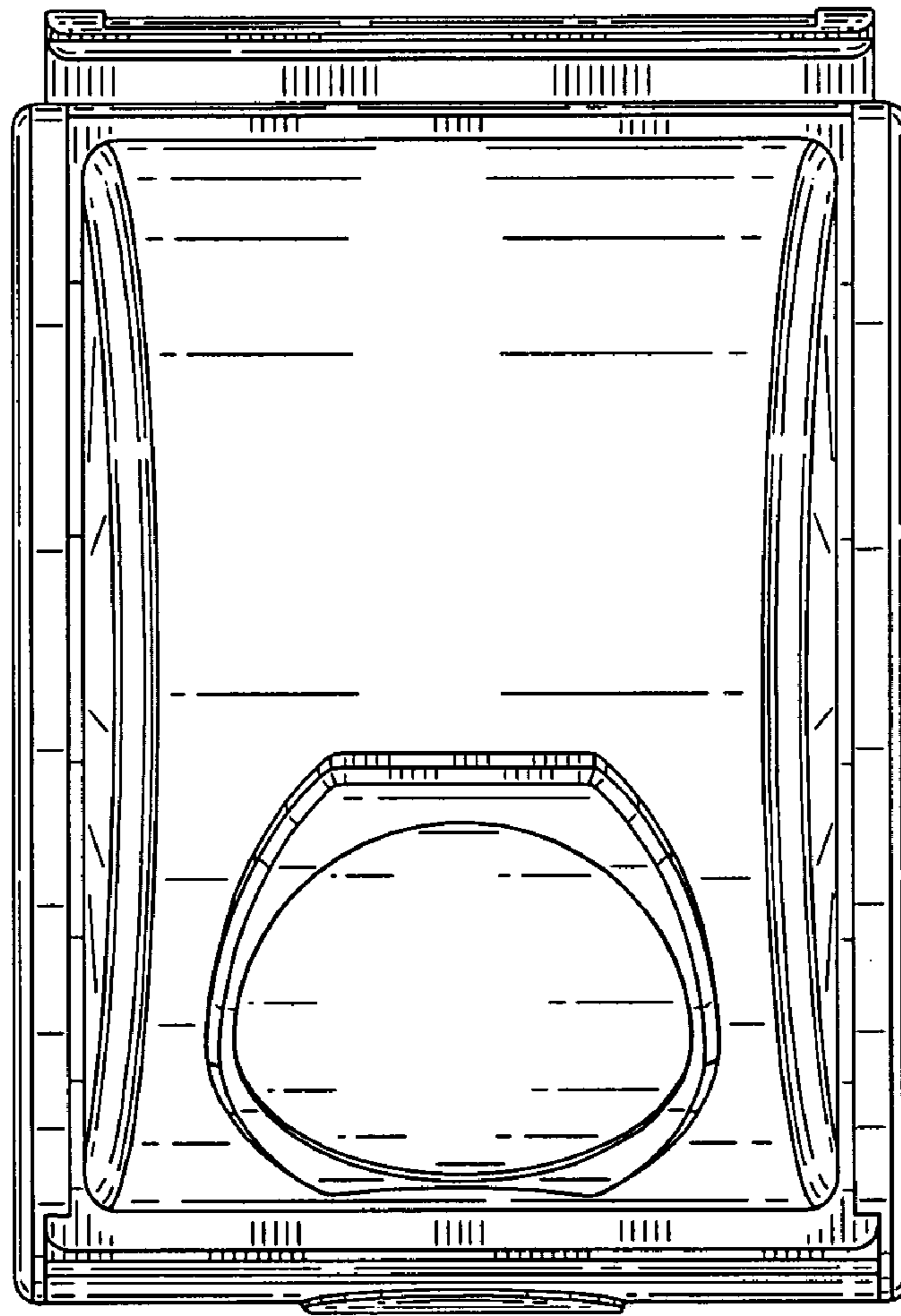


FIG. 5

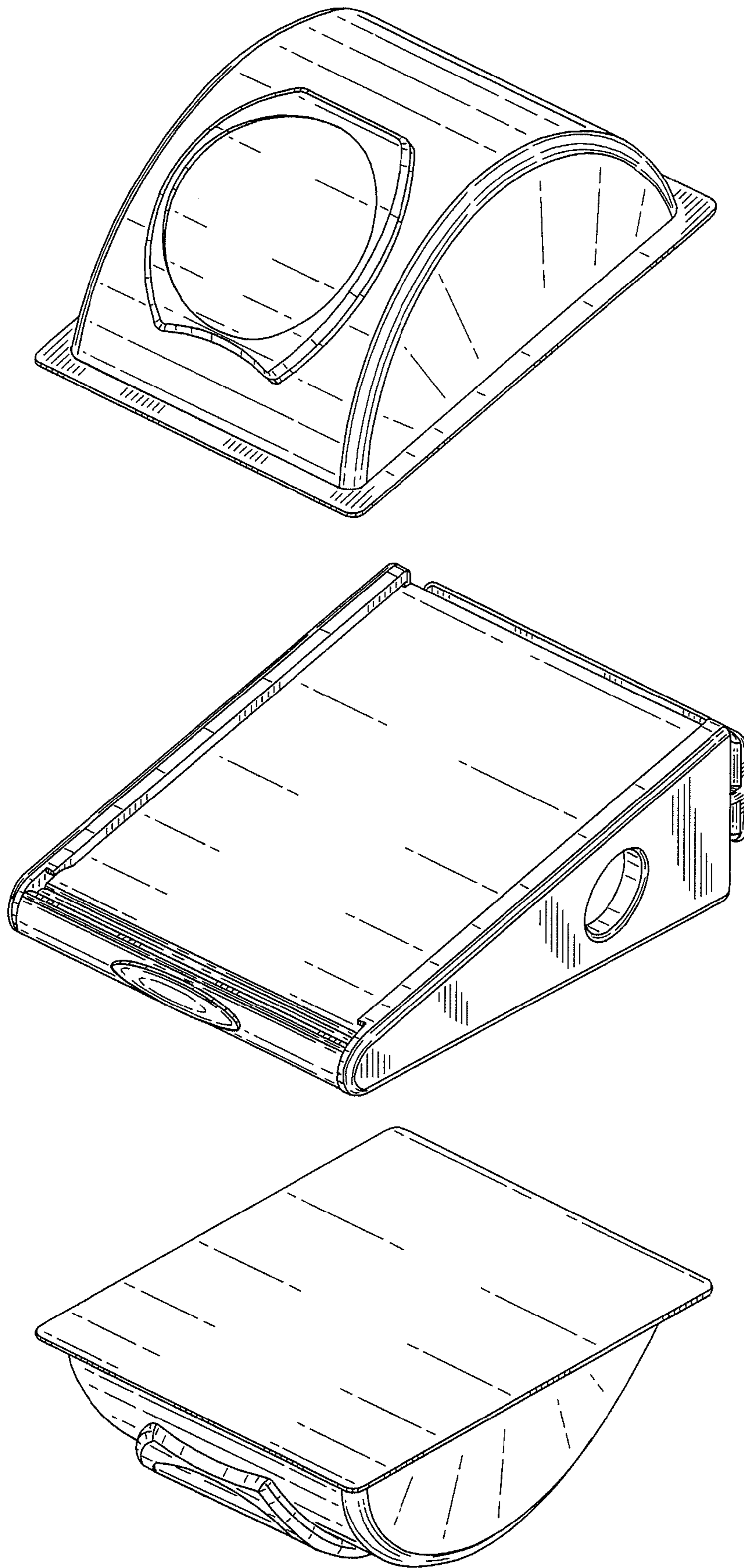
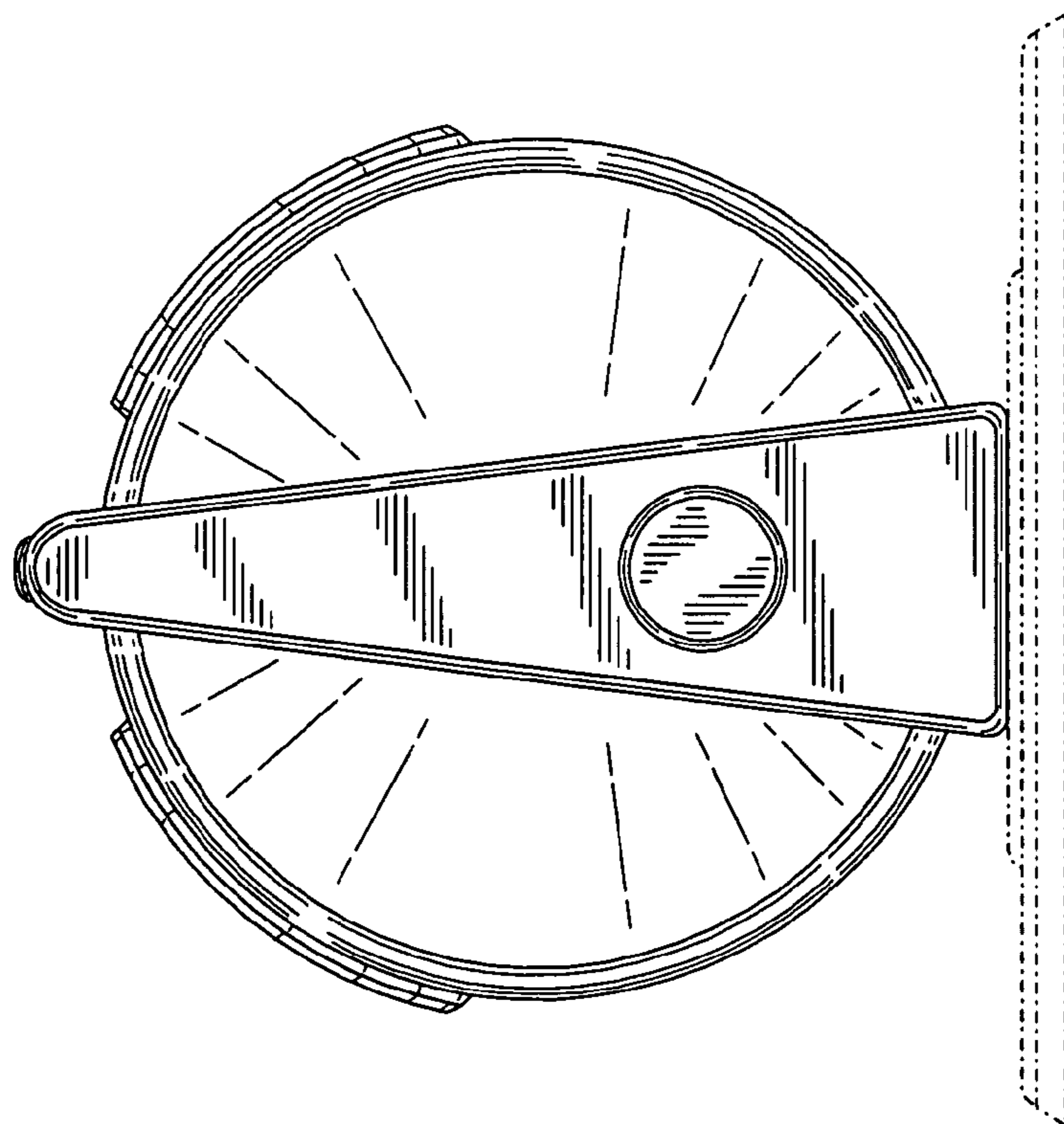
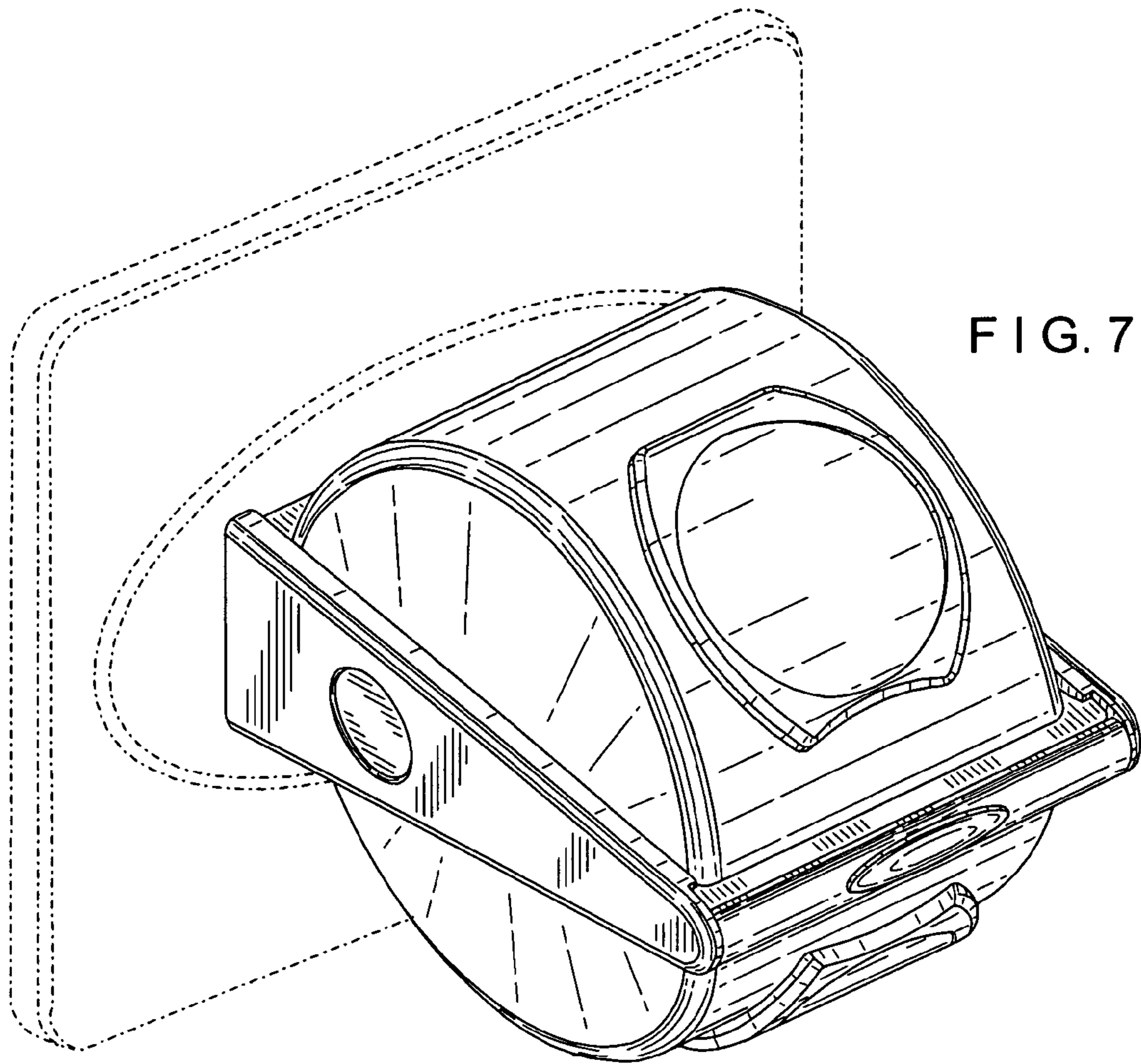


FIG. 6



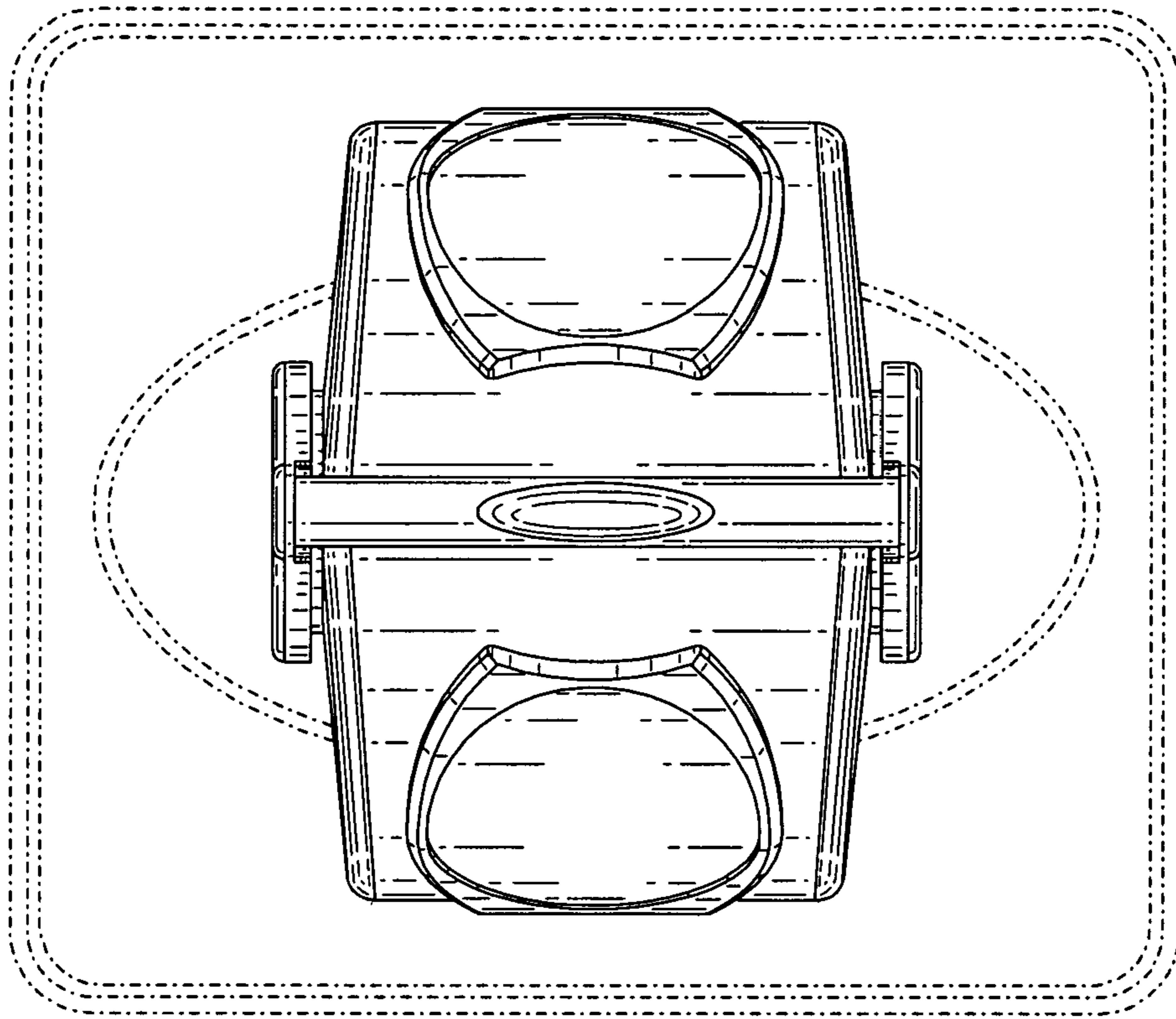


FIG. 9

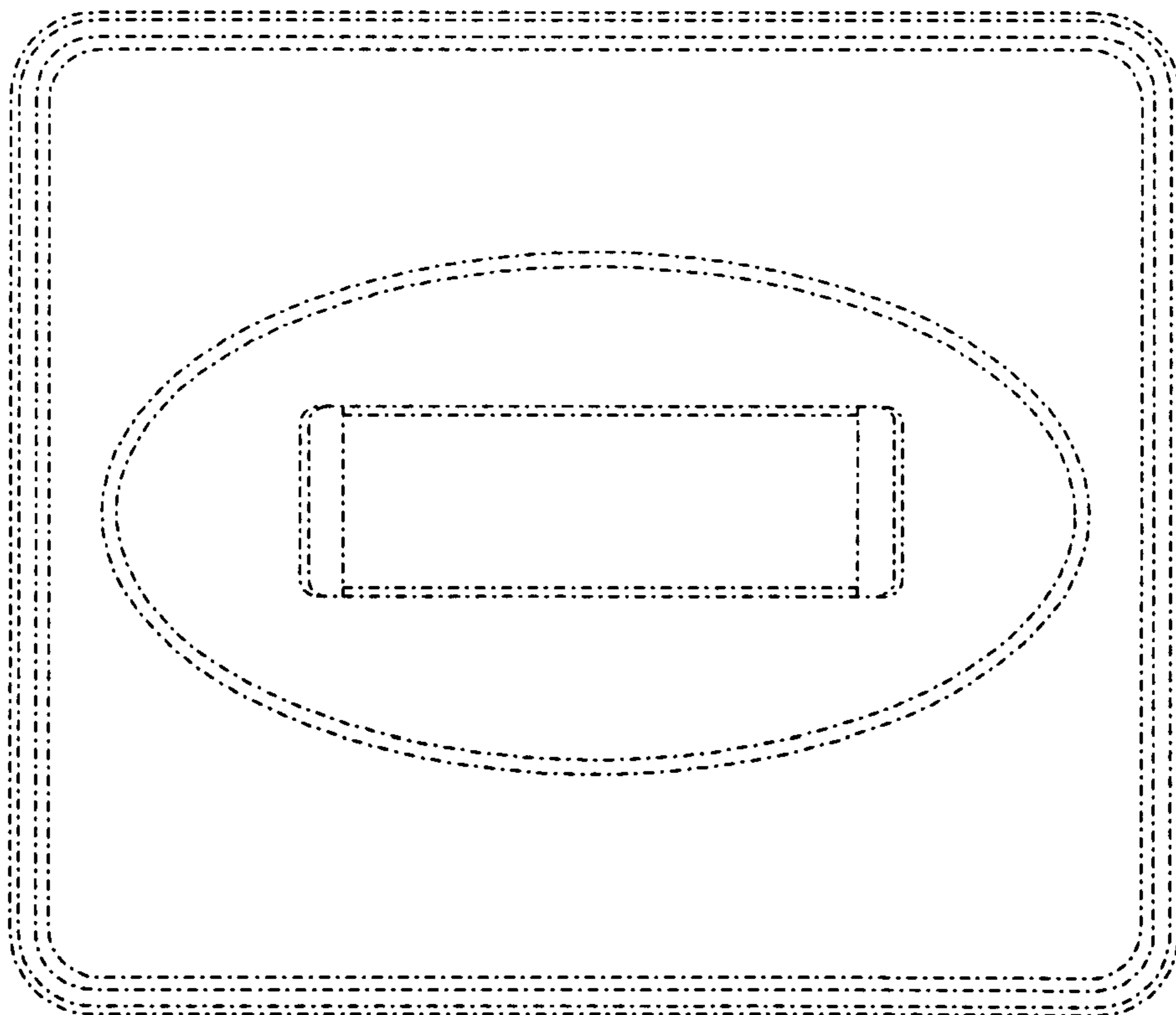


FIG. 10

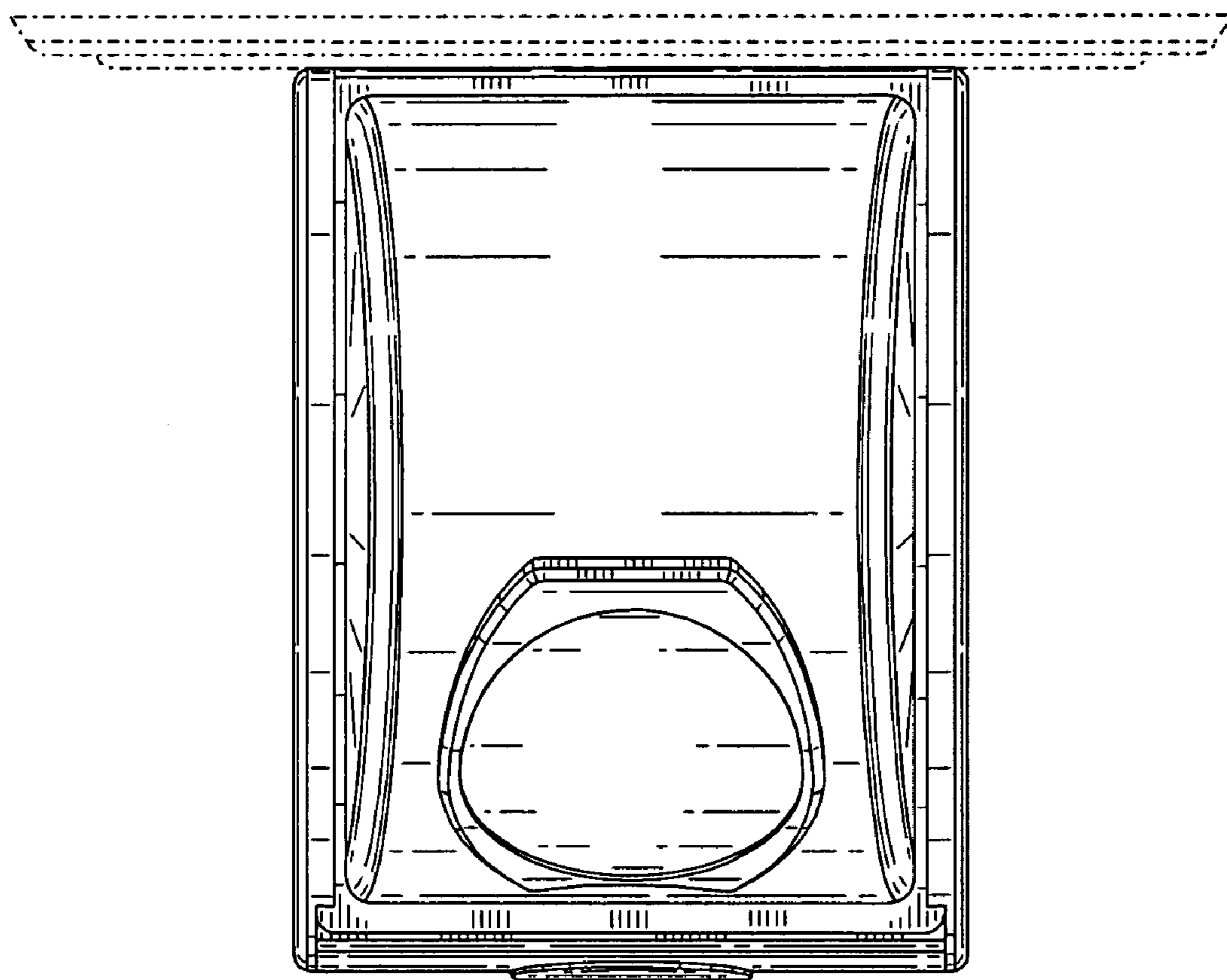


FIG. 11