

US00D591988S

(12) **United States Design Patent**  
**Clark et al.**

(10) **Patent No.:** **US D591,988 S**  
(45) **Date of Patent:** **\*\* May 12, 2009**

(54) **TOWER COVER AND HOOP EXTENDER**

(75) Inventors: **Jeremy A. Clark**, Minneapolis, MN (US); **Michael A. Whittier**, Minneapolis, MN (US); **David H. Cheney**, Shoreview, MN (US)

(73) Assignee: **Target Brands, Inc.**, Minneapolis, MN (US)

(\*\*) Term: **14 Years**

(21) Appl. No.: **29/306,296**

(22) Filed: **Apr. 4, 2008**

(51) **LOC (9) Cl.** ..... **06-04**

(52) **U.S. Cl.** ..... **D6/511**

(58) **Field of Classification Search** ..... D6/396, D6/491, 511, 486, 492, 509, 495, 449; D21/397, D21/385, 392; 211/163, 78, 135  
See application file for complete search history.

(56) **References Cited**

U.S. PATENT DOCUMENTS

2,710,241 A	6/1955	Lieberman
3,297,374 A	1/1967	Radek
3,411,634 A	11/1968	Pesce
3,601,256 A	8/1971	Bowers, Jr. et al.
3,737,048 A	6/1973	Giroux
3,830,374 A	8/1974	Kassimir
3,856,320 A	12/1974	Blanchard
3,865,250 A	2/1975	Jay
4,046,083 A	9/1977	Murdoch et al.
4,127,196 A	11/1978	Boucher
4,191,298 A	3/1980	Broudy
4,331,245 A	5/1982	Schell
4,380,298 A	4/1983	Harig
4,444,322 A	4/1984	Lee
4,460,097 A	7/1984	Darnell, II et al.
4,580,685 A	4/1986	Jorquez
4,609,975 A	9/1986	Badolato et al.
4,627,544 A	12/1986	Scarpa et al.

4,716,841 A 1/1988 Suttles  
D295,802 S \* 5/1988 Abraham ..... D6/511  
4,925,038 A 5/1990 Gajewski  
D318,194 S 7/1991 Terrell et al.

(Continued)

OTHER PUBLICATIONS

Jeremy A. Clark et al., Rack Accessories, U.S. Appl. No. 12/098,330, filed Apr. 4, 2008.

(Continued)

*Primary Examiner*—Caron Vaynar

*Assistant Examiner*—Sydney R Buffalow

(74) *Attorney, Agent, or Firm*—Griffiths & Seaton PLLC

(57) **CLAIM**

The ornamental design for a tower cover and hoop extender, as shown.

**DESCRIPTION**

This application is related to co-pending U.S. patent application Ser. No. 12/098330, filed Apr. 4, 2008, entitled RACK ACCESSORIES, the entire contents of which are incorporated herein by reference.

FIG. 1 is an isometric view of a tower cover and hoop extender;

FIG. 2 is a front view thereof, a back view being a substantially identical, mirror image of the front view;

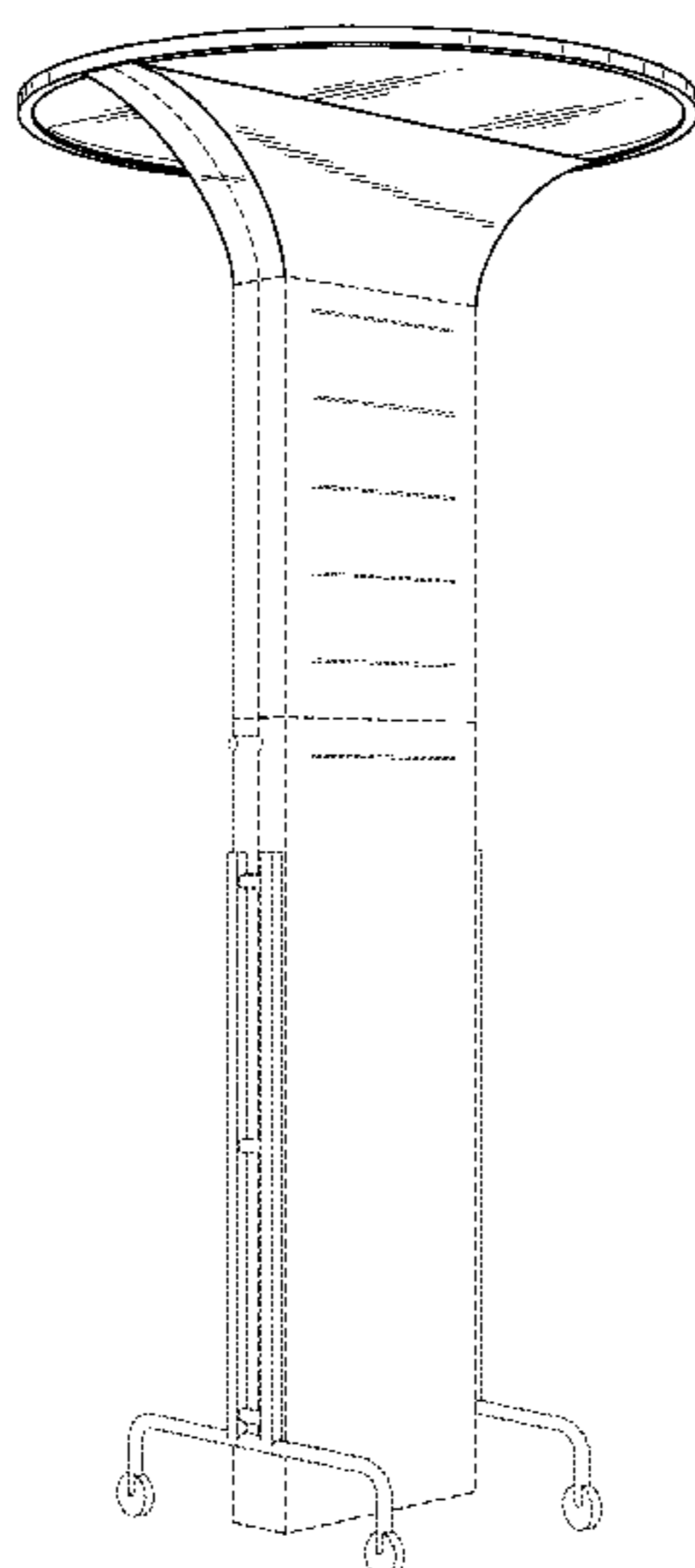
FIG. 3 is a right end view thereof, a left end view being a substantially identical, mirror image of the right end view;

FIG. 4 is a top view thereof; and,

FIG. 5 is a bottom view thereof.

The rack shown in broken lines in FIG. 1 is provided for environmental purposes and forms no part of the claimed design. The remaining broken lines in FIGS. 1–5 also set out unclaimed matter that forms no part of the claimed design.

**1 Claim, 4 Drawing Sheets**



# US D591,988 S

Page 2

## U.S. PATENT DOCUMENTS

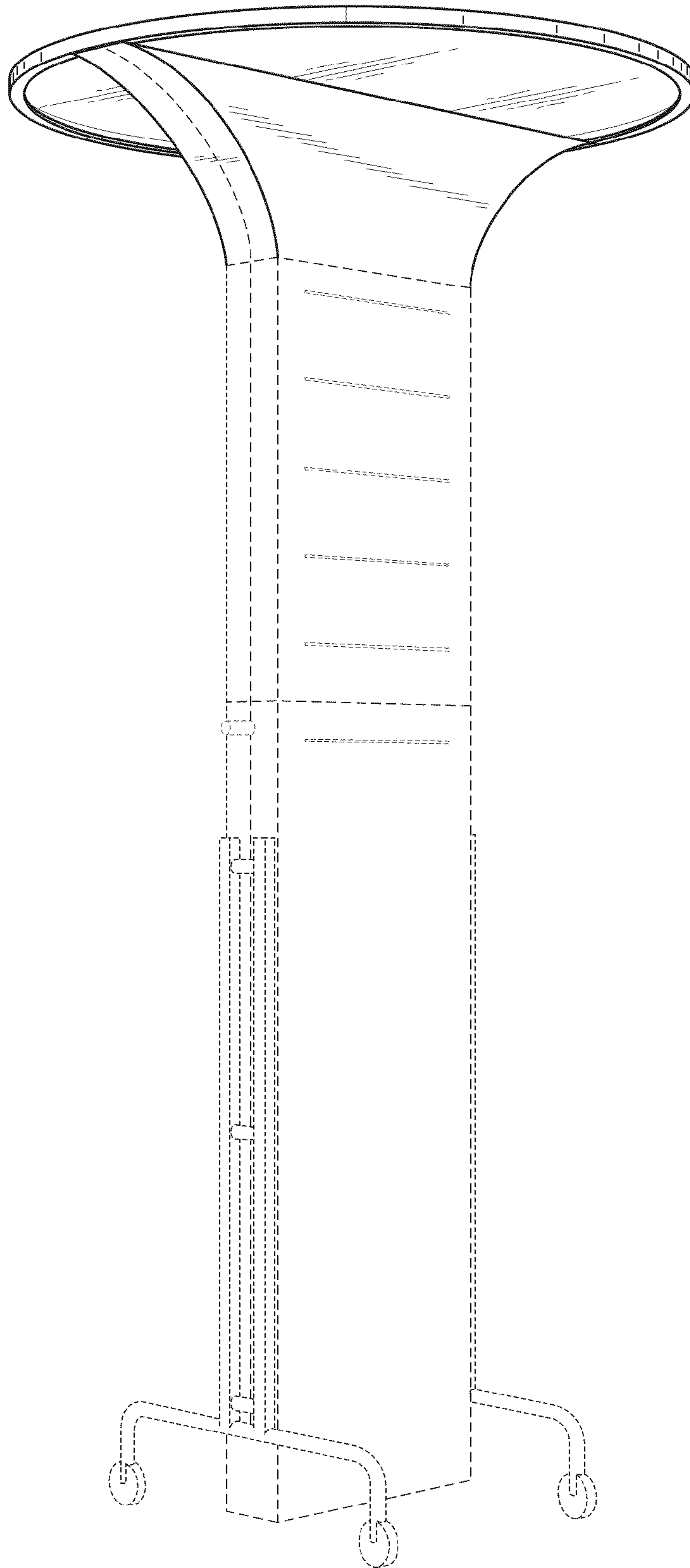
D319,934 S	9/1991	Terrell et al.	D427,457 S	7/2000	Heiny et al.
5,128,850 A	7/1992	Juodvarkis	D442,398 S *	5/2001	Waisbrod ..... D6/491
5,141,105 A	8/1992	Maye	D450,948 S	11/2001	Stafford et al.
5,272,991 A	12/1993	Carrigan, Jr.	D451,300 S	12/2001	Stafford et al.
5,274,938 A	1/1994	McDonald et al.	6,427,855 B2	8/2002	LaBruna, Jr. et al.
5,282,331 A	2/1994	Fell	D466,331 S	12/2002	Chang
5,433,046 A	7/1995	MacQuarrie et al.	D468,368 S *	1/2003	Jones ..... D21/397
5,535,898 A	7/1996	Burgess, Sr. et al.	D470,685 S	2/2003	Chang
5,584,398 A	12/1996	Lin	D474,350 S	5/2003	Sardis
5,607,070 A	3/1997	Hellyer	6,561,365 B2	5/2003	Bustos
5,611,442 A	3/1997	Howard	6,561,366 B2	5/2003	Kim-So
5,628,413 A	5/1997	Lu et al.	6,669,037 B1	12/2003	Ahn
5,653,349 A	8/1997	Dana et al.	D495,523 S	9/2004	Harwanko
5,660,637 A	8/1997	Dodge	6,935,523 B2	8/2005	Ahn
D394,360 S	5/1998	Geier et al.	6,951,291 B2 *	10/2005	Kleanthis ..... 211/163
5,794,782 A	8/1998	Ascik	6,959,824 B1	11/2005	Alperson
5,875,895 A	3/1999	Dardashti	7,083,052 B1	8/2006	Morle
D409,858 S	5/1999	Reed	D570,630 S *	6/2008	D'Angelo ..... D6/511
5,918,750 A	7/1999	Jackson			
5,921,190 A	7/1999	Wood			
5,944,203 A	8/1999	Vlah et al.			
D417,978 S	12/1999	Reed			
6,029,833 A	2/2000	Yeh			
6,053,115 A	4/2000	Felton			

## OTHER PUBLICATIONS

Jeremy A. Clark et al., Ceiling Hoop, U.S. Appl. No. 29/306,295, filed Apr. 4, 2008.

Jeremy A. Clark et al., Display Fixture Accessories, U.S. Appl. No. 11/627,262, filed Jan. 25, 2007.

\* cited by examiner



**Fig. 1**

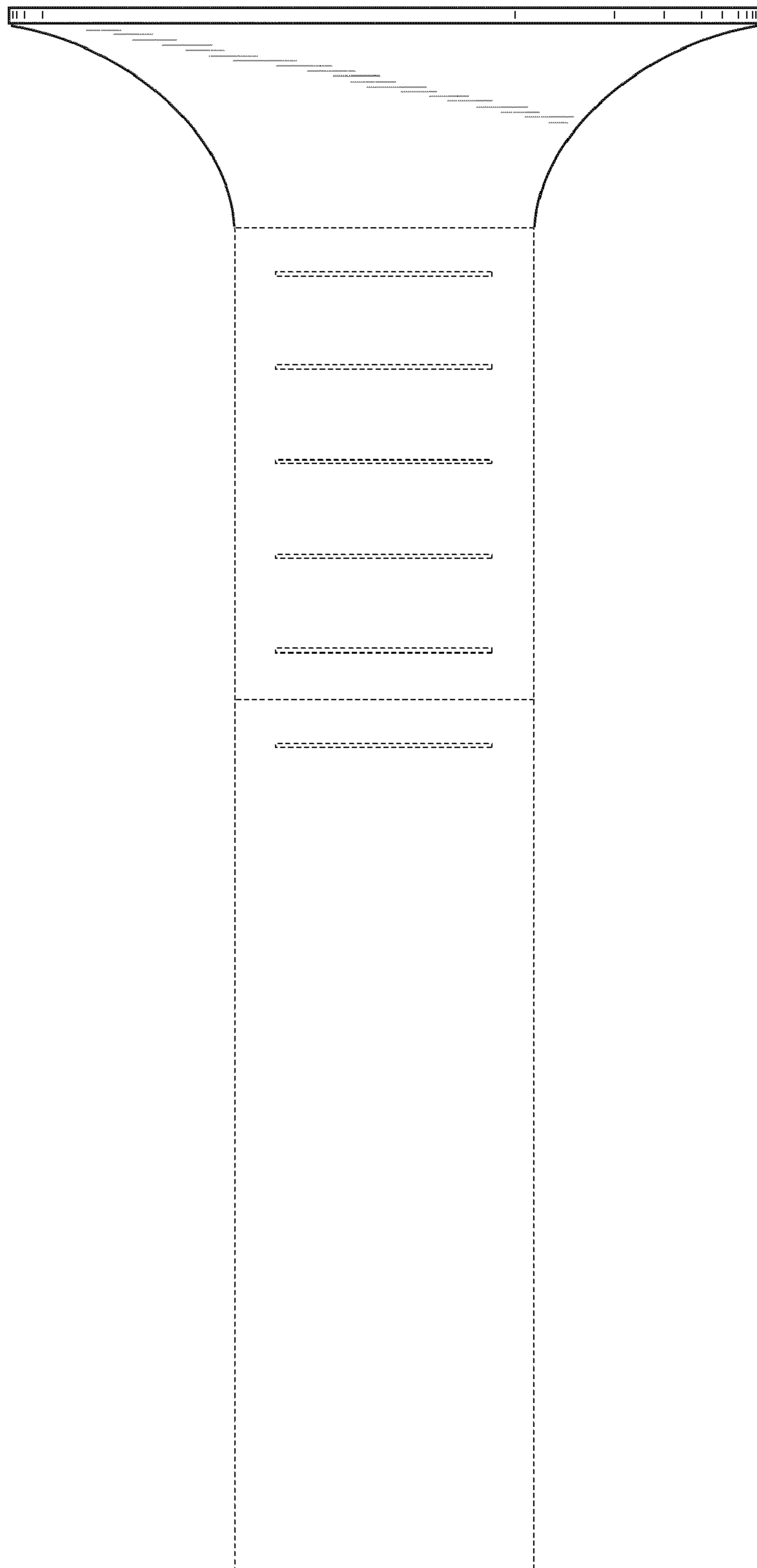
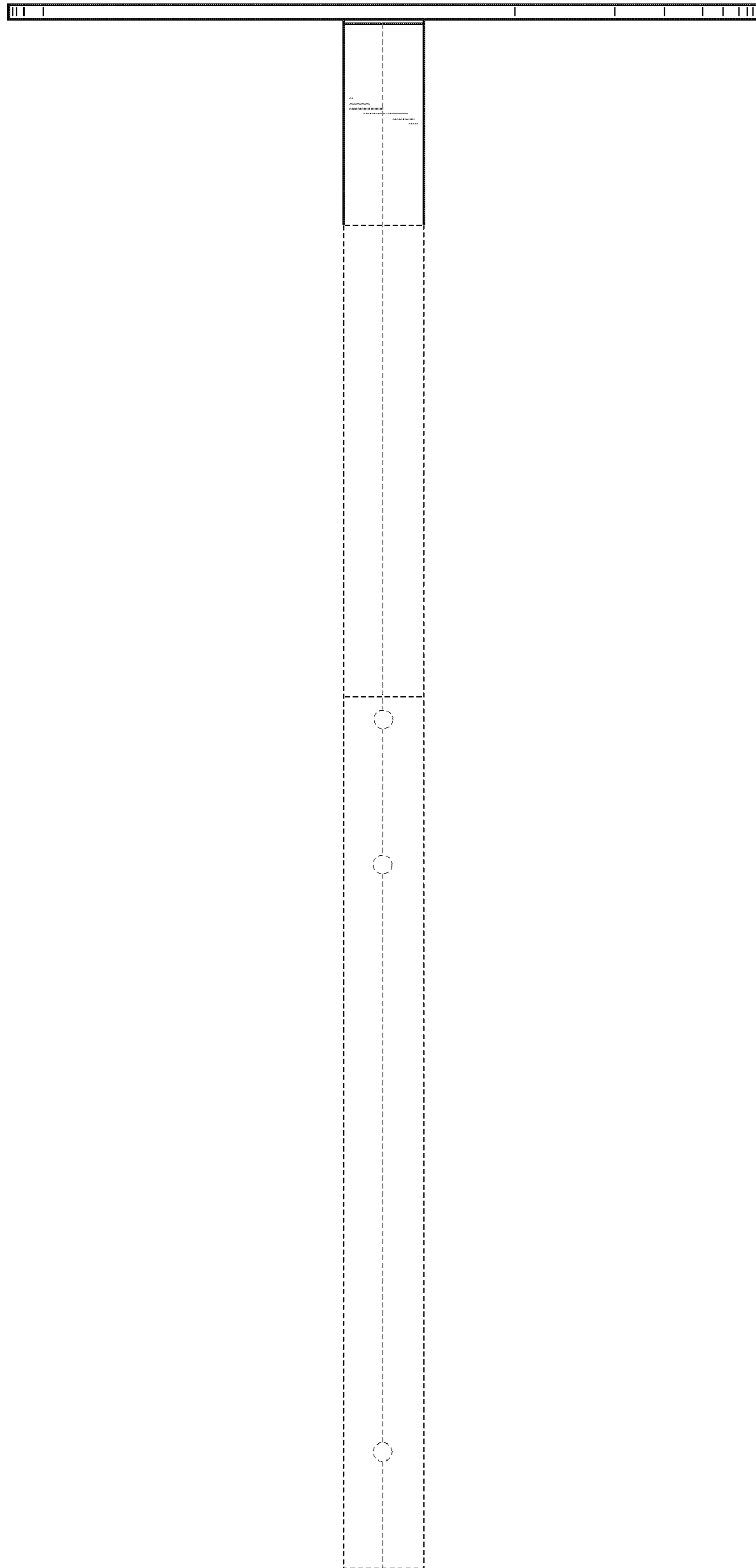


Fig. 2



**Fig. 3**



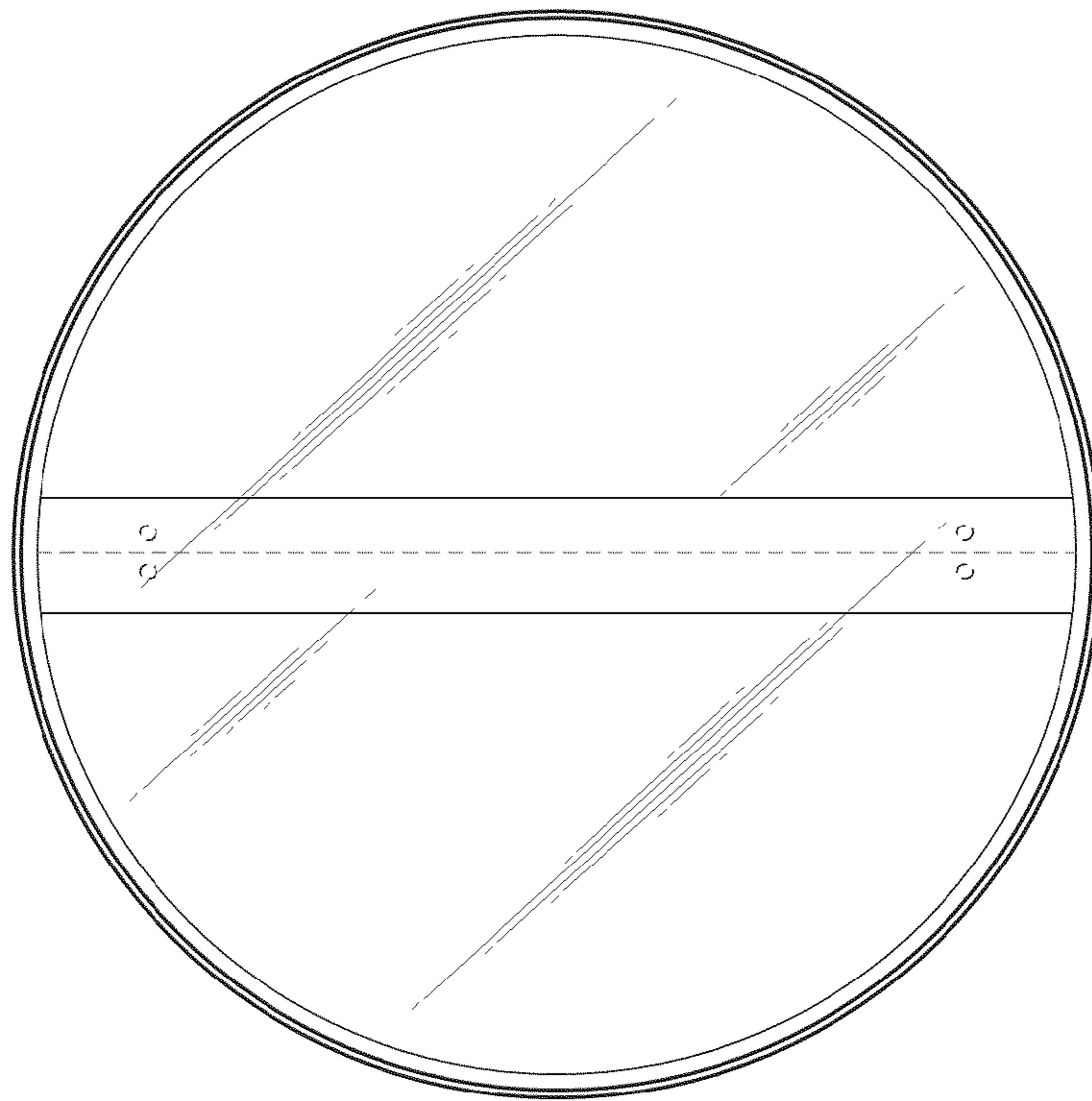


Fig. 4

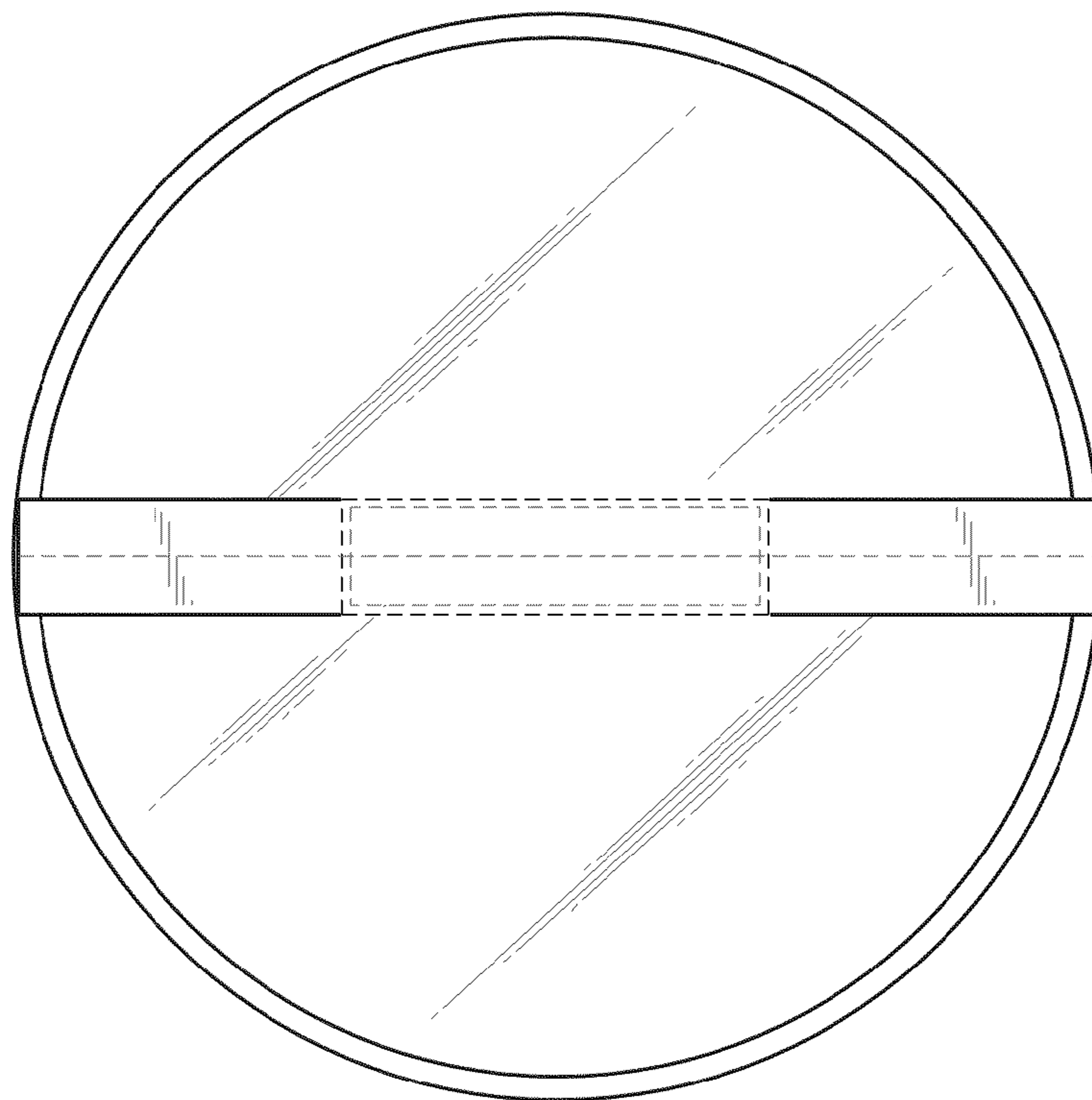


Fig. 5