

US00D591985S

(12) **United States Design Patent**  
**Musschoot**

(10) **Patent No.:** **US D591,985 S**

(45) **Date of Patent:** **\*\* May 12, 2009**

(54) **ROCKER LEG**

(75) Inventor: **Thomas P. Musschoot**, Marengo, IL  
(US)

(73) Assignee: **General Kinematics Corporation**,  
Crystal Lake, IL (US)

(\*\*) Term: **14 Years**

(21) Appl. No.: **29/303,595**

(22) Filed: **Feb. 12, 2008**

(51) **LOC (9) Cl.** ..... **06-01**

(52) **U.S. Cl.** ..... **D6/501**

(58) **Field of Classification Search** ..... D6/349,  
D6/364-366, 374, 376, 432-448, 477, 480-489,  
D6/491, 495-499; D8/21, 395-396, 499;  
D21/694; D34/29, 35, 38; 198/494, 497,  
198/755, 831, 837, 850, 852-853; 472/99,  
472/103; 474/207, 220; 482/130

See application file for complete search history.

(56) **References Cited**

**U.S. PATENT DOCUMENTS**

D28,195 S *	1/1898	Dunn	.....	D8/499
D198,760 S *	7/1964	Harris	.....	D8/499
3,335,861 A	8/1967	Musschoot et al.		
3,677,395 A	7/1972	Musschoot		
3,989,227 A	11/1976	Musschoot		
4,428,476 A	1/1984	Kraus et al.		
D280,224 S *	8/1985	Wilson	.....	D21/694
D315,935 S *	4/1991	Wilson et al.	.....	D21/694
D315,936 S *	4/1991	Wilson et al.	.....	D21/694
5,094,342 A	3/1992	Kraus et al.		
5,135,216 A *	8/1992	Bingham et al.	.....	482/130
D344,437 S *	2/1994	Cleland et al.	.....	D8/21
5,308,292 A *	5/1994	Mistry	.....	474/207

D349,055 S *	7/1994	Hawkins et al.	.....	D8/499
5,328,410 A *	7/1994	Amburgey et al.	.....	472/99
D361,261 S *	8/1995	Amburgey et al.	.....	D8/499
5,984,105 A	11/1999	Lease et al.		
6,053,816 A *	4/2000	Immel	.....	472/103
6,367,959 B1	4/2002	Kraus et al.		
6,390,943 B1 *	5/2002	Dreger et al.	.....	474/220
D479,638 S	9/2003	Didion		
6,782,995 B2	8/2004	Didion et al.		
2007/0221546 A1	9/2007	Mathis et al.		

**OTHER PUBLICATIONS**

General Kinematics brochure, entitled "Genuine Replacement Parts"  
(2002, USA, 1 page).

\* cited by examiner

*Primary Examiner*—Caron Veynar

*Assistant Examiner*—Ricky Pham

(74) *Attorney, Agent, or Firm*—Marshall, Gerstein & Borun  
LLP

(57) **CLAIM**

The ornamental design for a rocker leg, as shown and  
described.

**DESCRIPTION**

FIG. 1 is a perspective view of a rocker leg showing my new  
design;

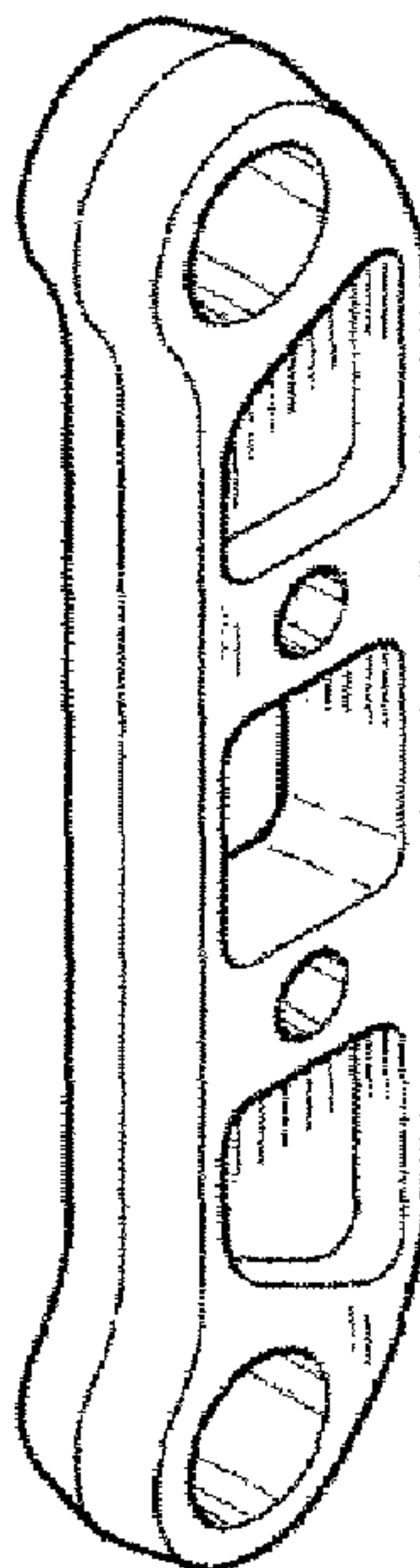
FIG. 2 is a top view thereof;

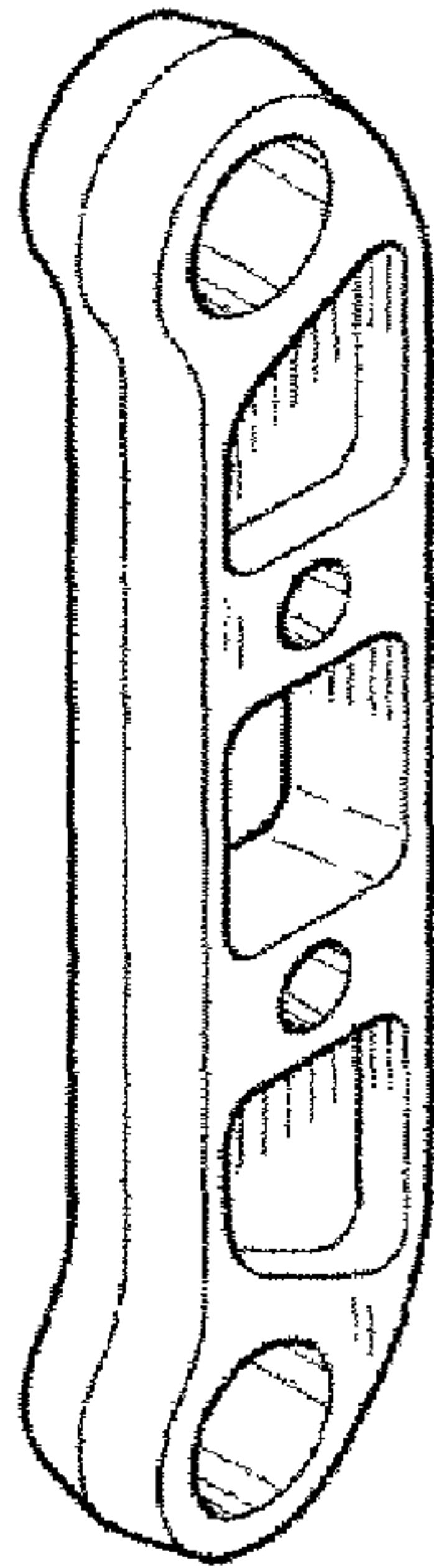
FIG. 3 is a side elevational view thereof, the other side eleva-  
tional view being a mirror image thereof;

FIG. 4 is a bottom view thereof; and,

FIG. 5 is an end view thereof, the other end view being  
identical.

**1 Claim, 1 Drawing Sheet**

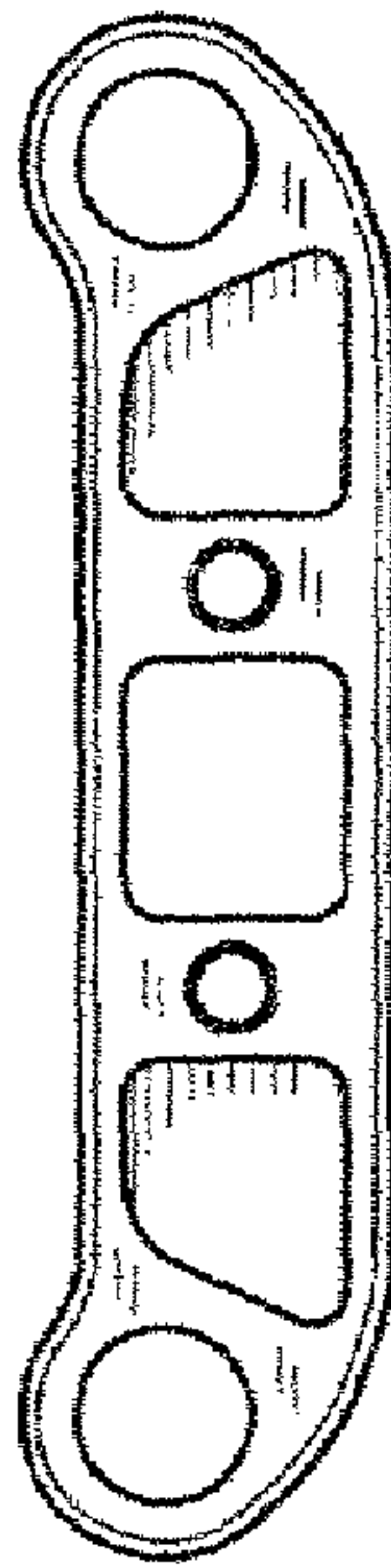




**FIG. 1**



**FIG. 2**



**FIG. 3**



**FIG. 4**



**FIG. 5**