



US00D591984S

(12) **United States Design Patent**
Steigerwalt

(10) **Patent No.:** **US D591,984 S**

(45) **Date of Patent:** **** May 12, 2009**

(54) **TABLE WITH ORNAMENTAL LEGS**

(76) Inventor: **Bradley A. Steigerwalt**, 103 The Oaks,
Pittsburgh, PA (US) 15215

(**) Term: **14 Years**

(21) Appl. No.: **29/305,455**

(22) Filed: **Mar. 20, 2008**

(51) **LOC (9) Cl.** **06-03**

(52) **U.S. Cl.** **D6/495; D6/482**

(58) **Field of Classification Search** D6/480-489,
D6/495-499, 429-430, 477, 479, 349, 436;
108/153.1, 155, 156, 161, 50.01, 50.02; 248/188,
248/188.1, 188.8

See application file for complete search history.

(56) **References Cited**

U.S. PATENT DOCUMENTS

D303,741 S	*	10/1989	Lefkowitz	D6/495
D380,916 S	*	7/1997	Rehmert	D6/488
D543,734 S	*	6/2007	Aubriot et al.	D6/495
D566,997 S	*	4/2008	Muller	D6/495

* cited by examiner

Primary Examiner—Janice E Seeger

(74) *Attorney, Agent, or Firm*—Jonathan C. Parks, Esq;
Cohen & Grigsby, P.C.

(57) **CLAIM**

The ornamental design for a table with ornamental legs, as shown and described.

DESCRIPTION

FIG. 1 is a perspective view of the table with ornamental legs embodying the new design.

FIG. 2 is a left side view of the table with ornamental legs shown in FIG. 1.

FIG. 3 is a right side view of the table with ornamental legs shown in FIG. 1.

FIG. 4 is a bottom plan view of the table with ornamental legs shown in FIG. 1.

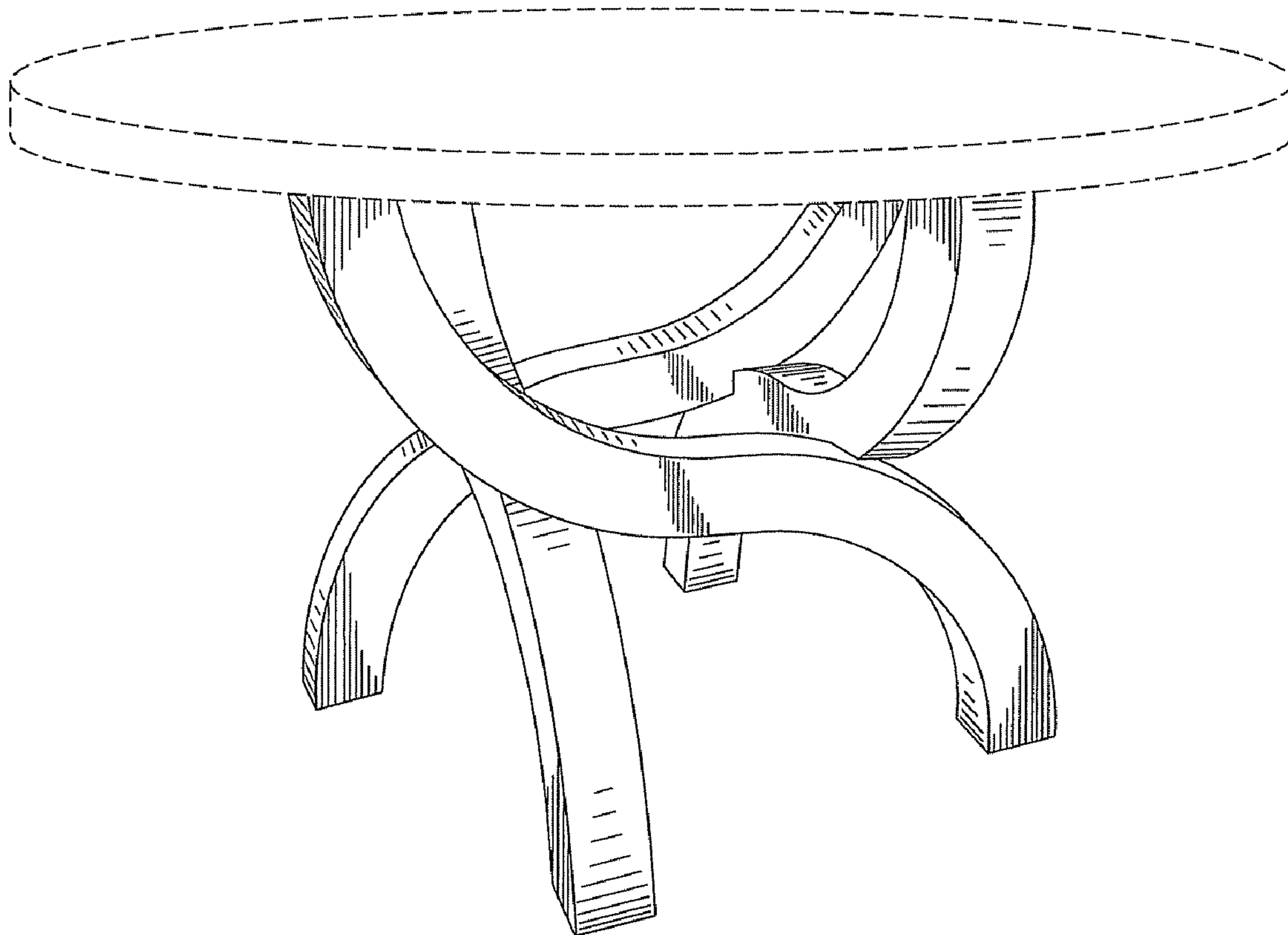
FIG. 5 is a top plan view of the table with ornamental legs shown in FIG. 1.

FIG. 6 is a front view of the table with ornamental legs shown in FIG. 1; and,

FIG. 7 is a back view of the table with ornamental legs shown in FIG. 1.

The broken lines shown in the drawings are for illustrative purposes only and form no part of the claimed design.

1 Claim, 5 Drawing Sheets



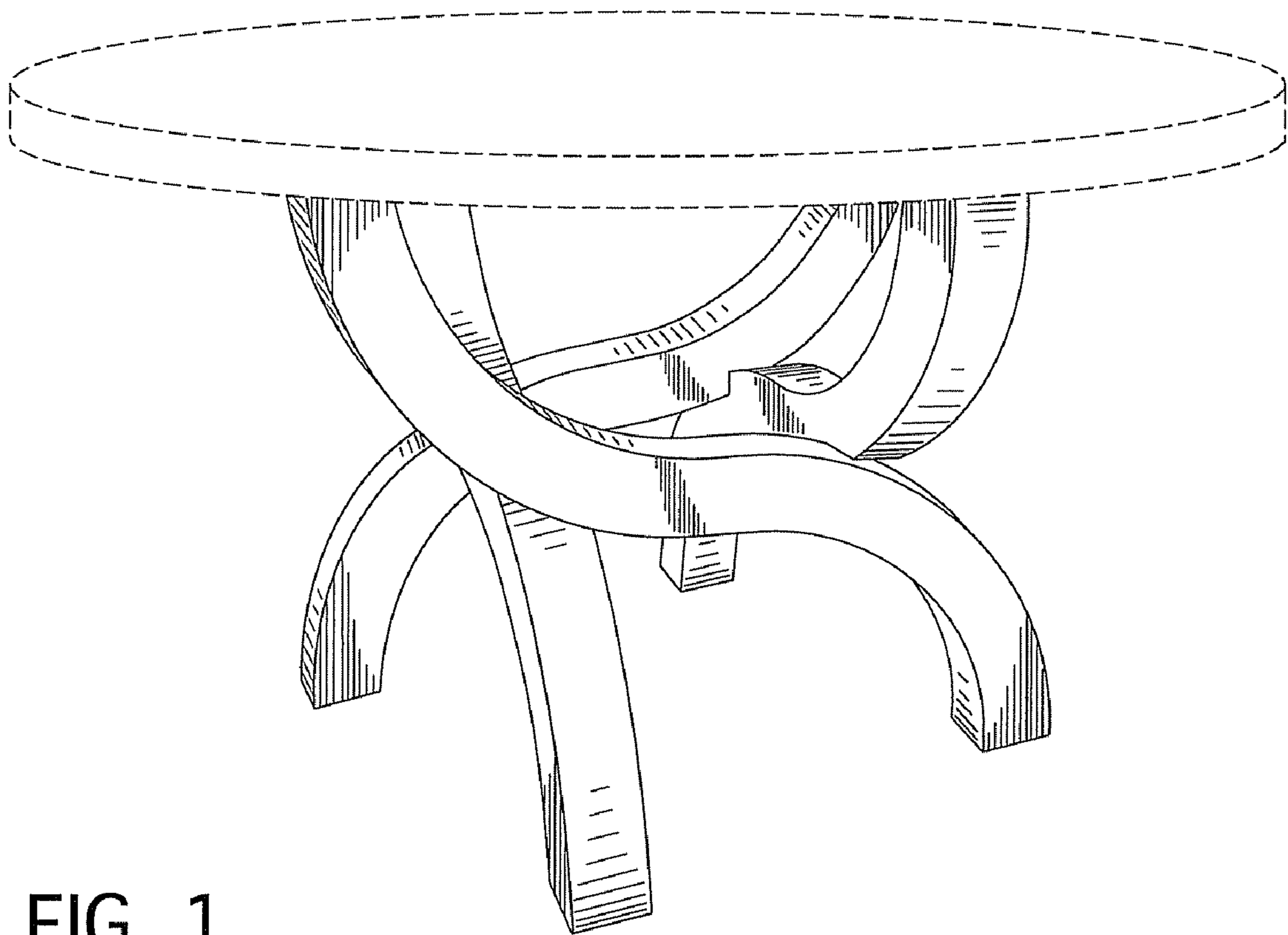


FIG. 1

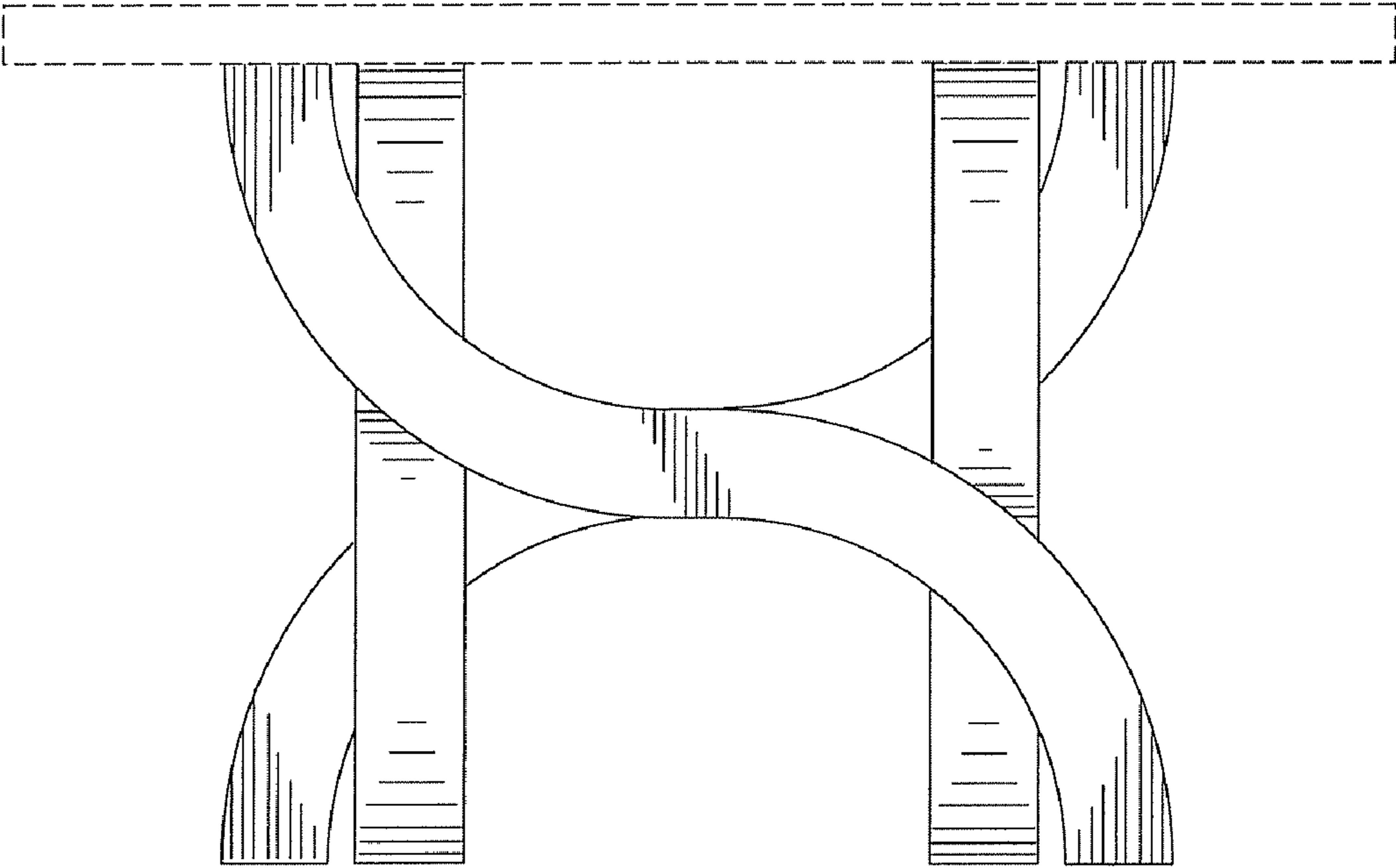


FIG. 2

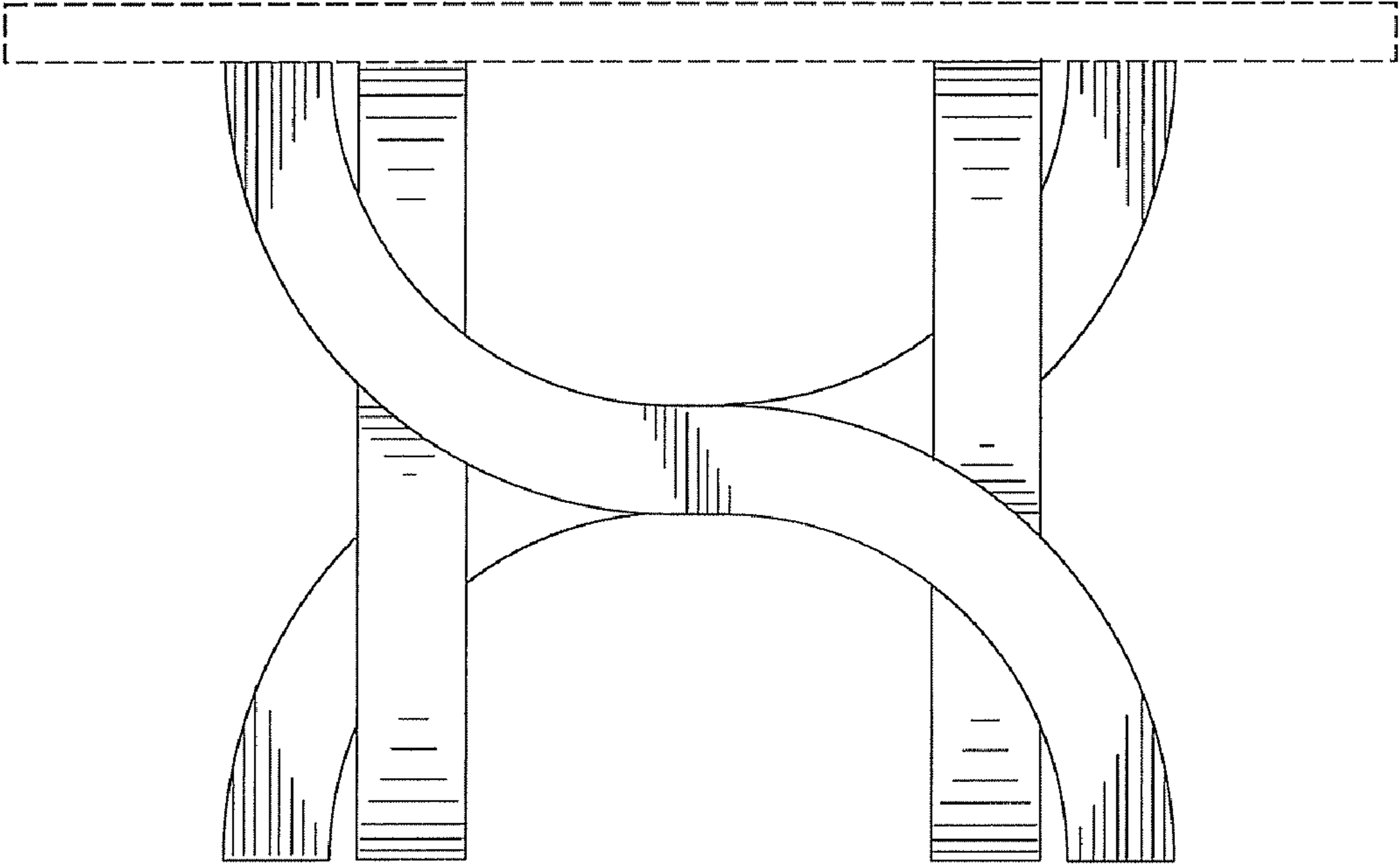


FIG. 3

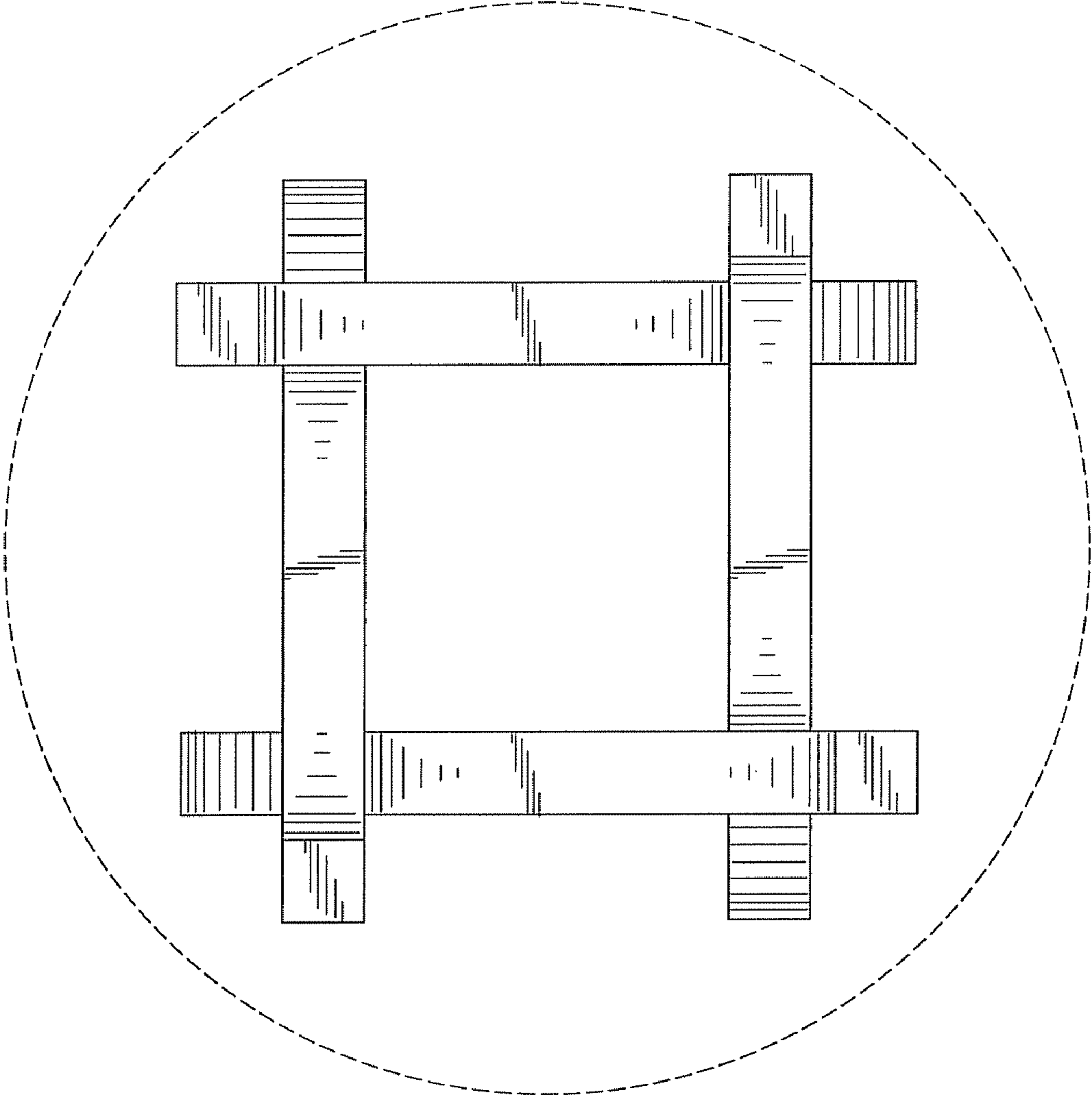


FIG. 4

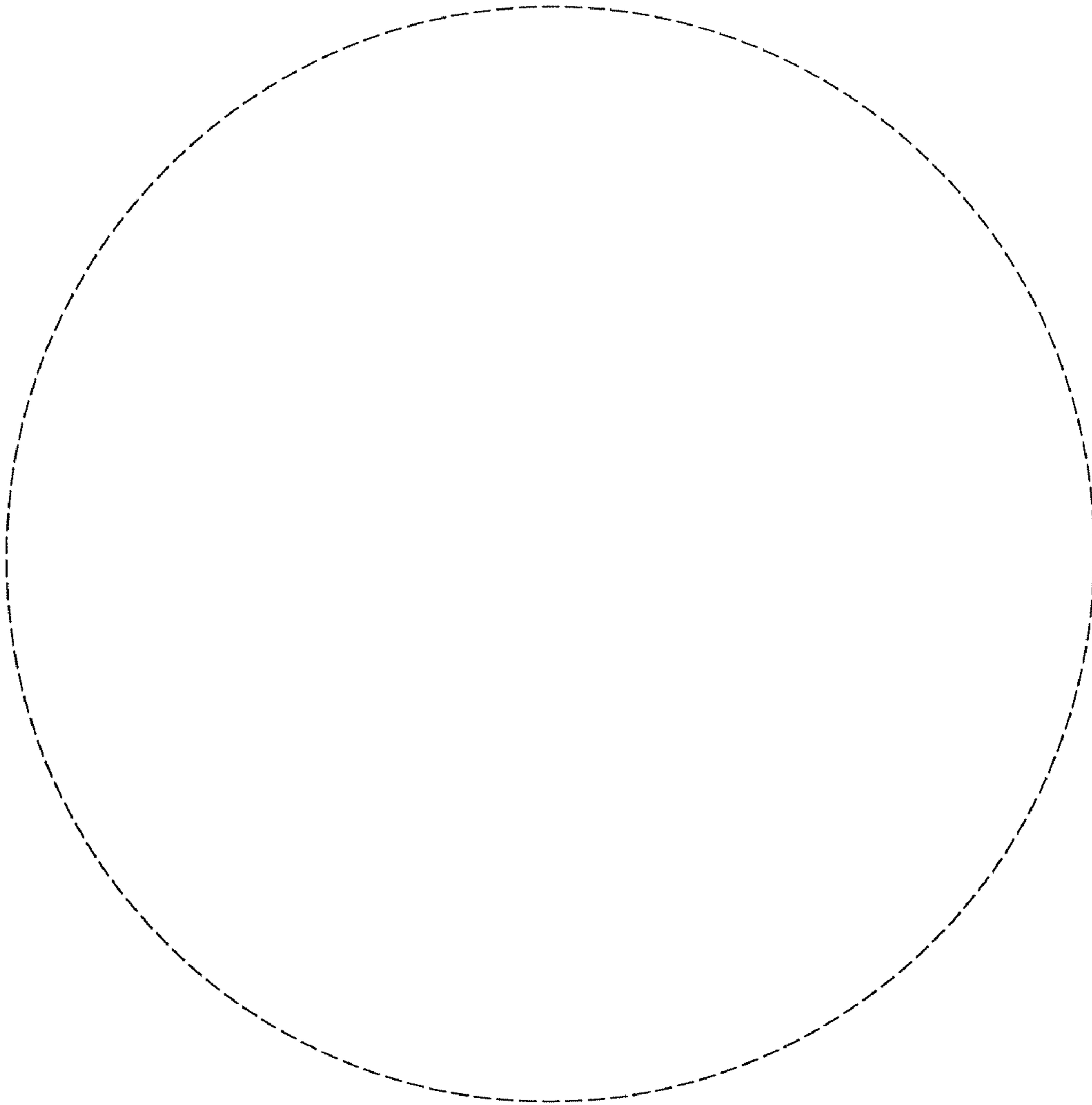


FIG. 5

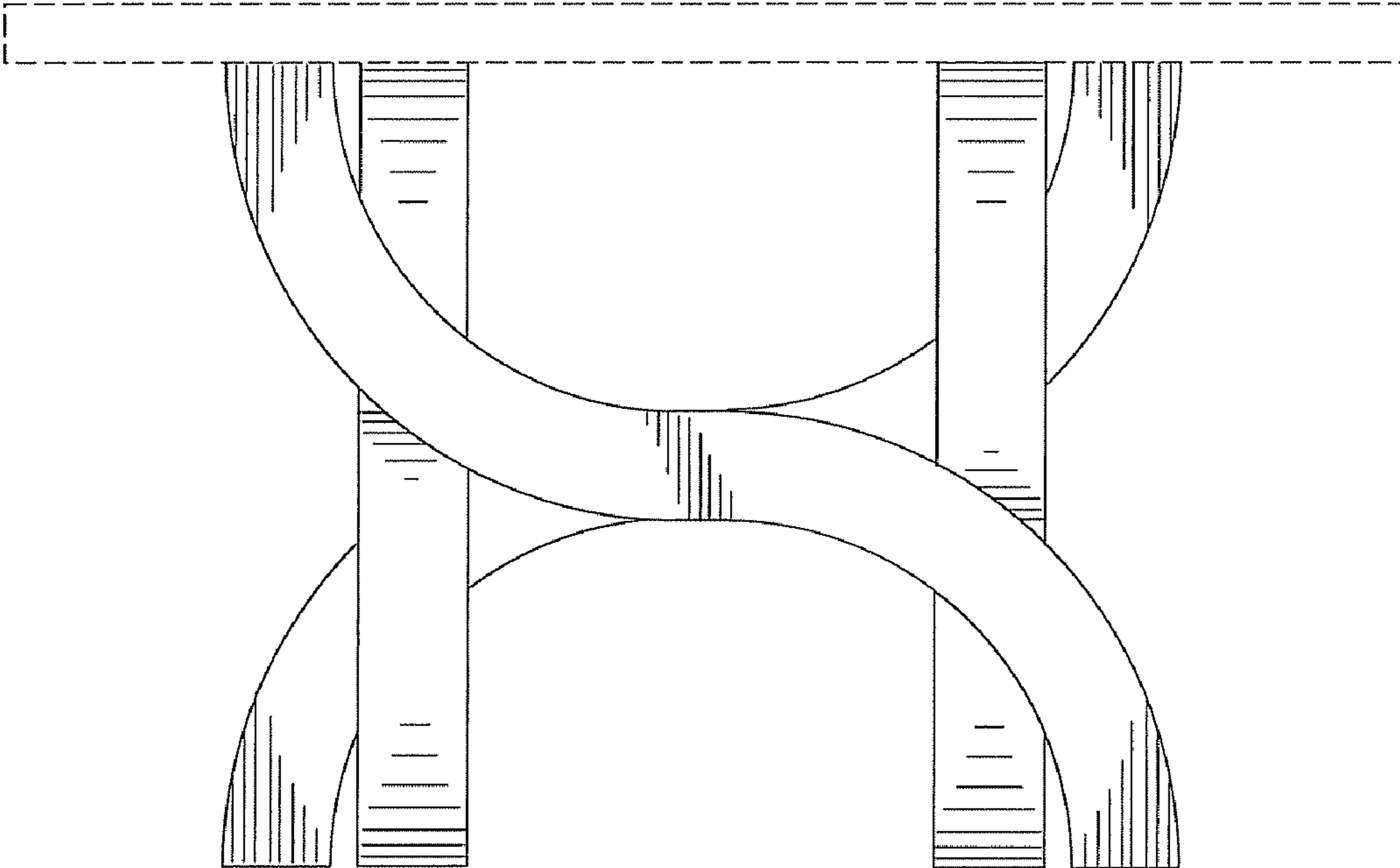


FIG. 6

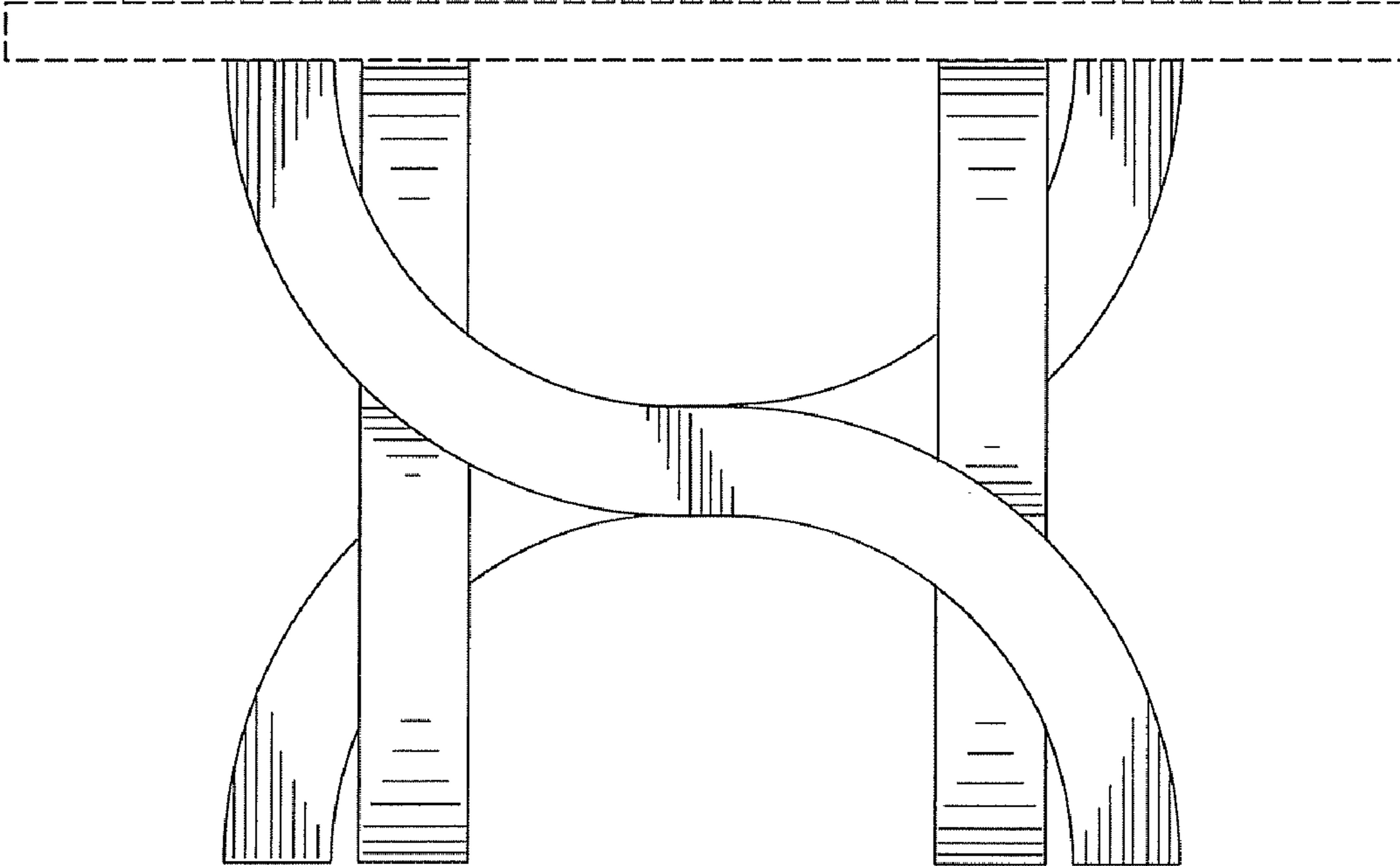


FIG. 7