

US00D591983S

(12) **United States Design Patent**  
**Mohundro**

(10) **Patent No.:** **US D591,983 S**

(45) **Date of Patent:** **\*\* May 12, 2009**

(54) **END TABLE**

(75) Inventor: **James Glenn Mohundro**, Taichung (TW)

(73) Assignee: **Pacific Marketing International (H.K.) Ltd.**, Taichung (TW)

(\*\*) Term: **14 Years**

(21) Appl. No.: **29/302,437**

(22) Filed: **Jan. 16, 2008**

(51) **LOC (9) Cl.** ..... **06-03**

(52) **U.S. Cl.** ..... **D6/480; D6/436**

(58) **Field of Classification Search** ..... D6/480-489, D6/495-499, 429-431, 511, 419, 420, 440, D6/436, 422-426, 477, 479, 492; 108/150, 108/153.1, 156, 157.1, 161, 93-97, 106, 108/40, 145, 144.11, 147.18; 248/188, 188.1, 248/188.8; 312/205, 241

See application file for complete search history.

(56) **References Cited**

**U.S. PATENT DOCUMENTS**

D164,622 S *	9/1951	Broad	.....	D6/436
D255,519 S *	6/1980	Friedman	.....	D6/480
D276,580 S *	12/1984	Mandl	.....	D6/397
D364,050 S *	11/1995	Paus	.....	D6/436
D485,451 S *	1/2004	De Blois	.....	D6/436
D491,738 S *	6/2004	Vanderminde	.....	D6/376

D509,375 S *	9/2005	O'Hare	.....	D6/425
D546,098 S *	7/2007	Roleder et al.	.....	D6/492
D563,121 S *	3/2008	Bates	.....	D6/446

\* cited by examiner

*Primary Examiner*—Janice E Seeger

(74) *Attorney, Agent, or Firm*—Egbert Law Offices PLLC

(57) **CLAIM**

The ornamental design for an end table, as shown and described.

**DESCRIPTION**

FIG. 1 is an upper perspective view of the end table showing my design.

FIG. 2 is a front view thereof;

FIG. 3 is a back view thereof;

FIG. 4 is a side view thereof;

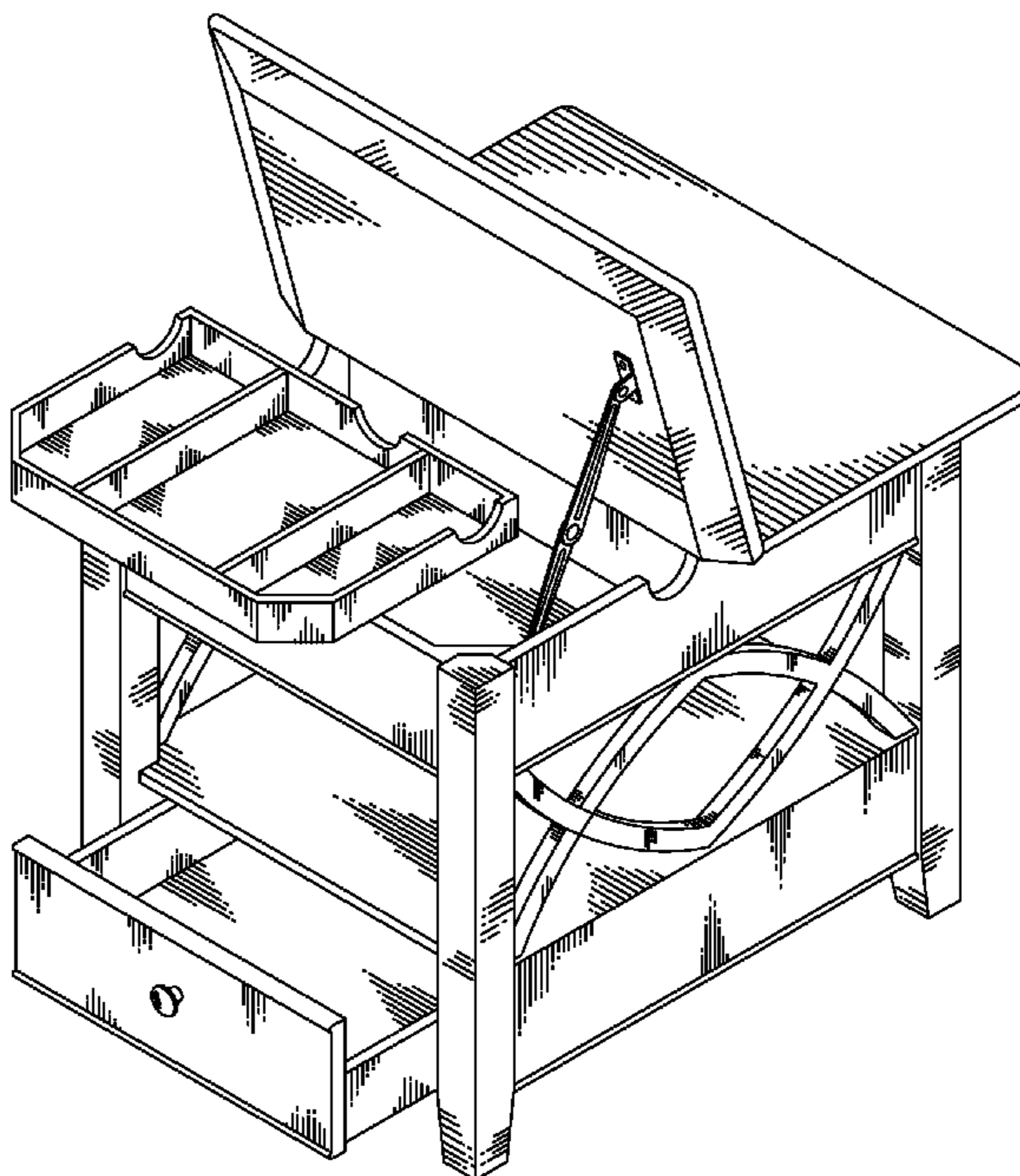
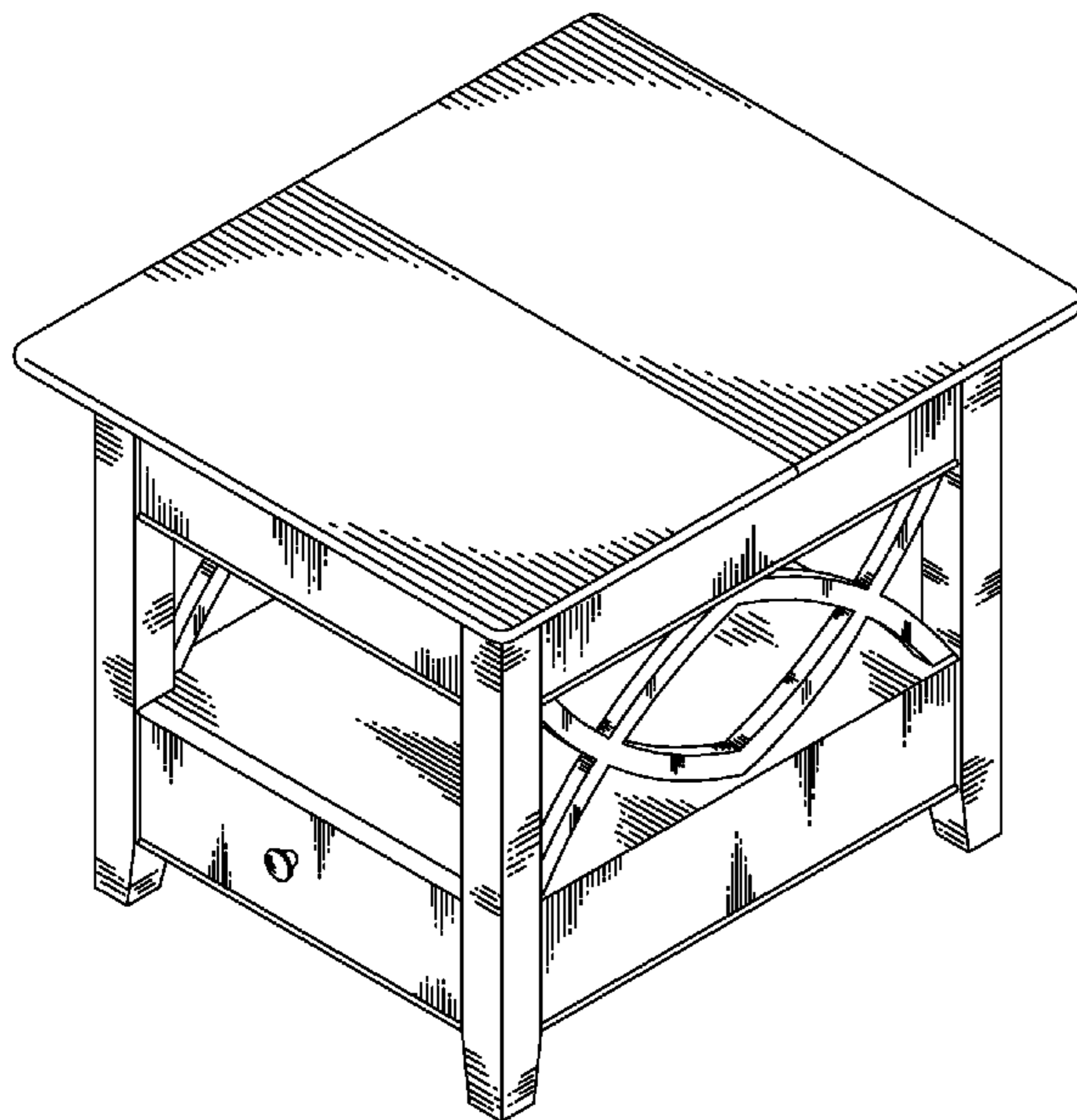
FIG. 5 is an opposite side view thereof;

FIG. 6 is top view thereof;

FIG. 7 is another perspective view, showing an open position; and,

FIG. 8 is still another perspective view, showing an extended position of the drawer and an alternate perspective view of the tray element. The bottom of the table forms no part of the claimed design.

**1 Claim, 6 Drawing Sheets**



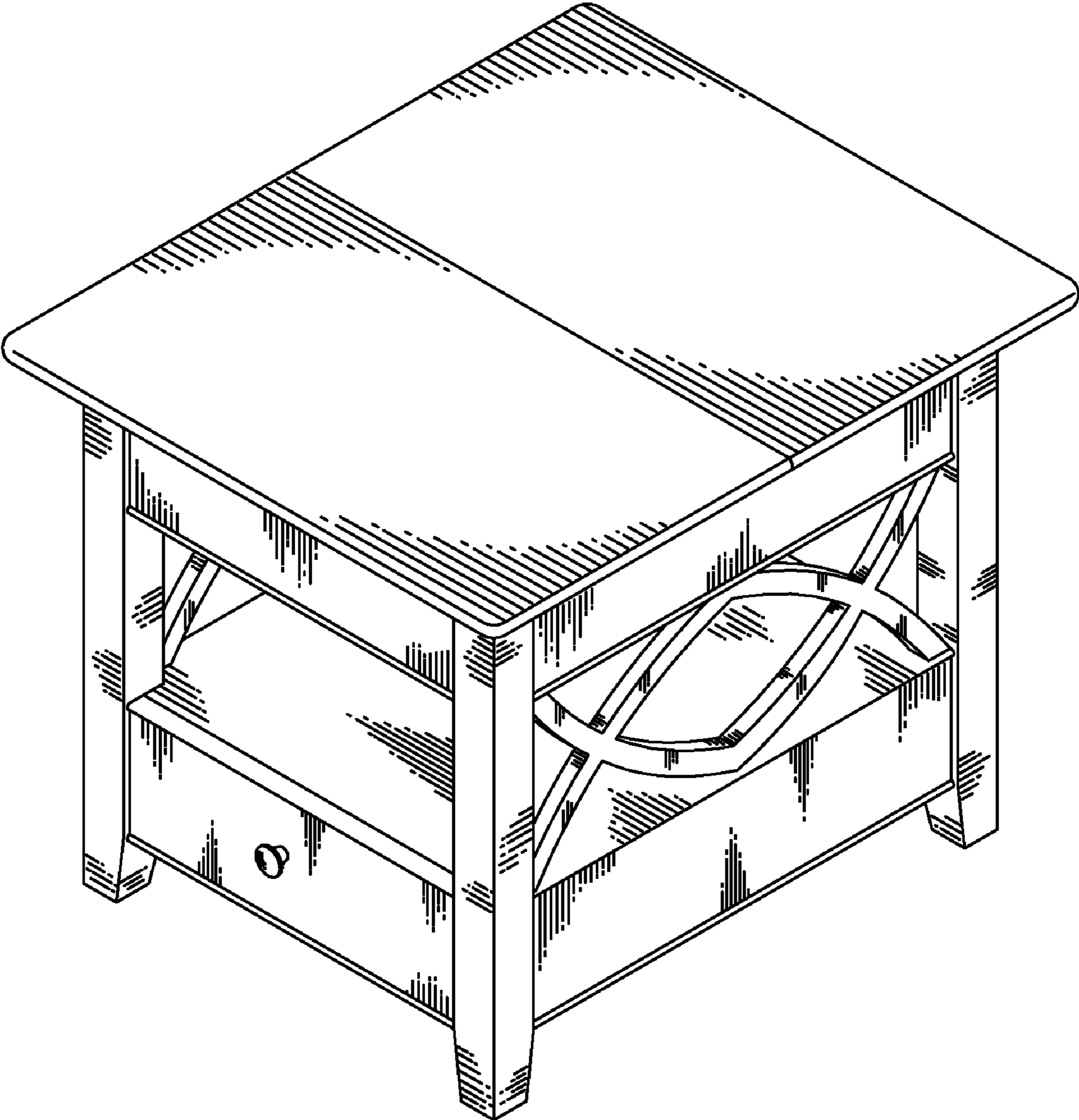


FIG.1

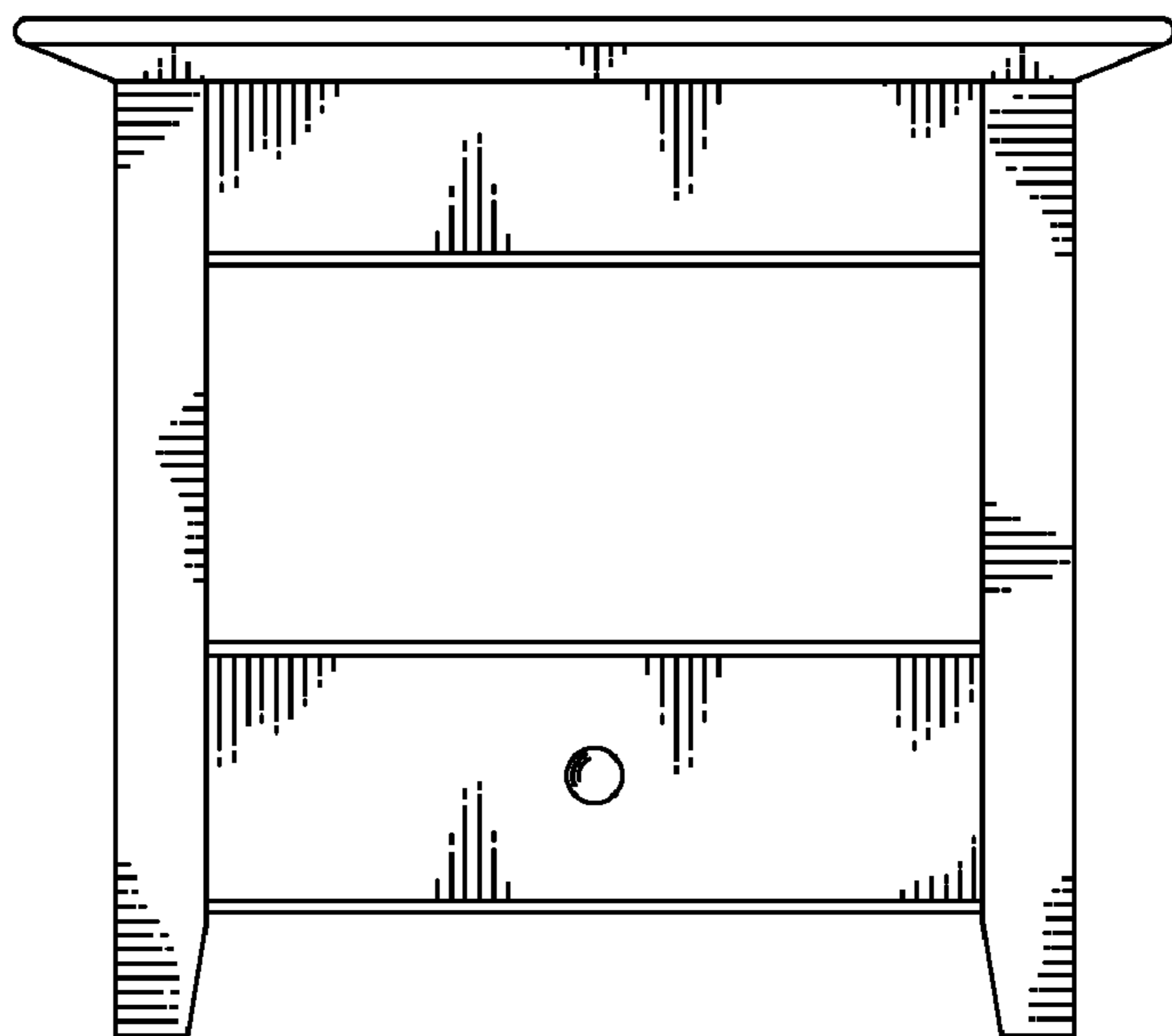


FIG. 2

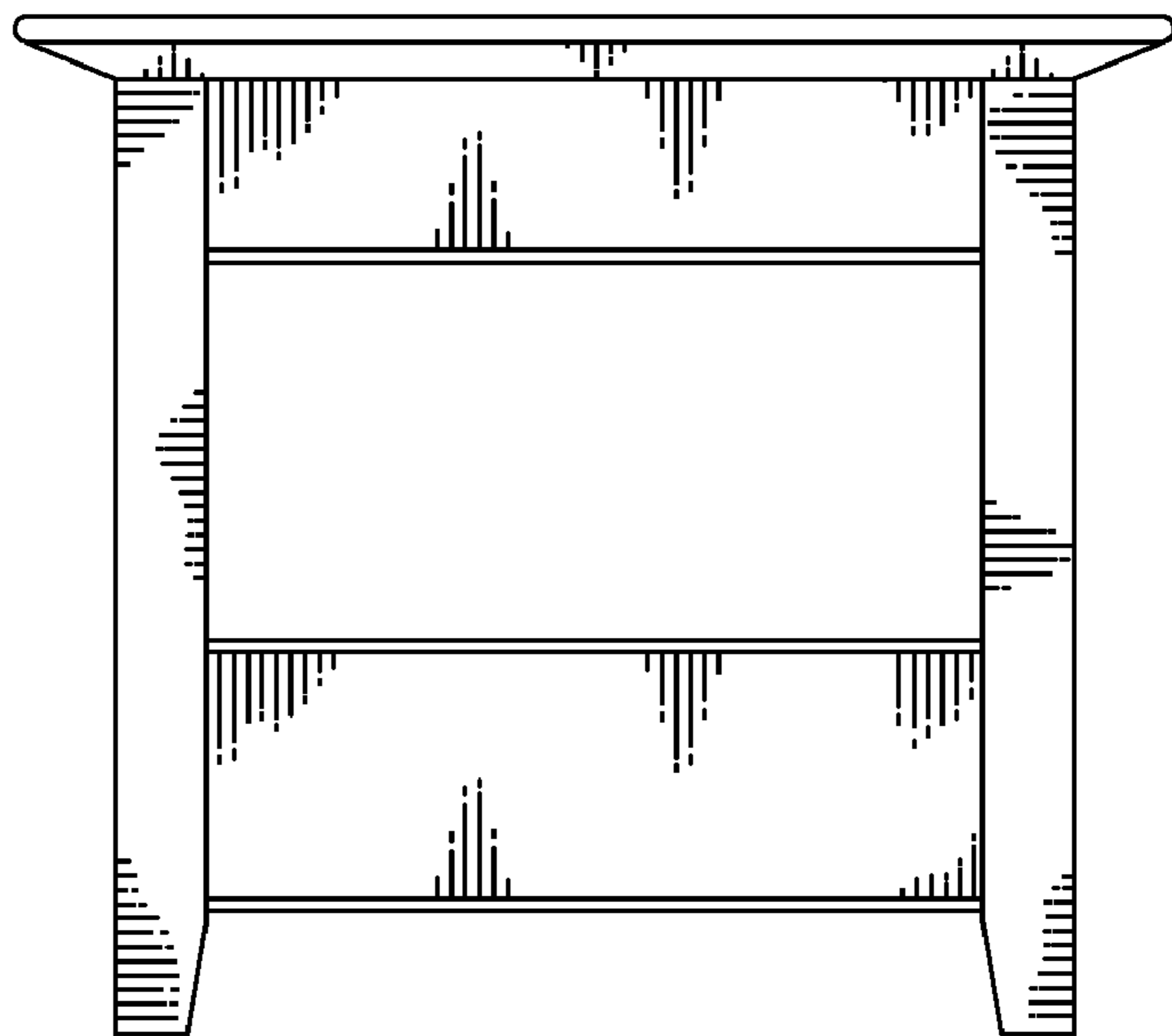


FIG. 3

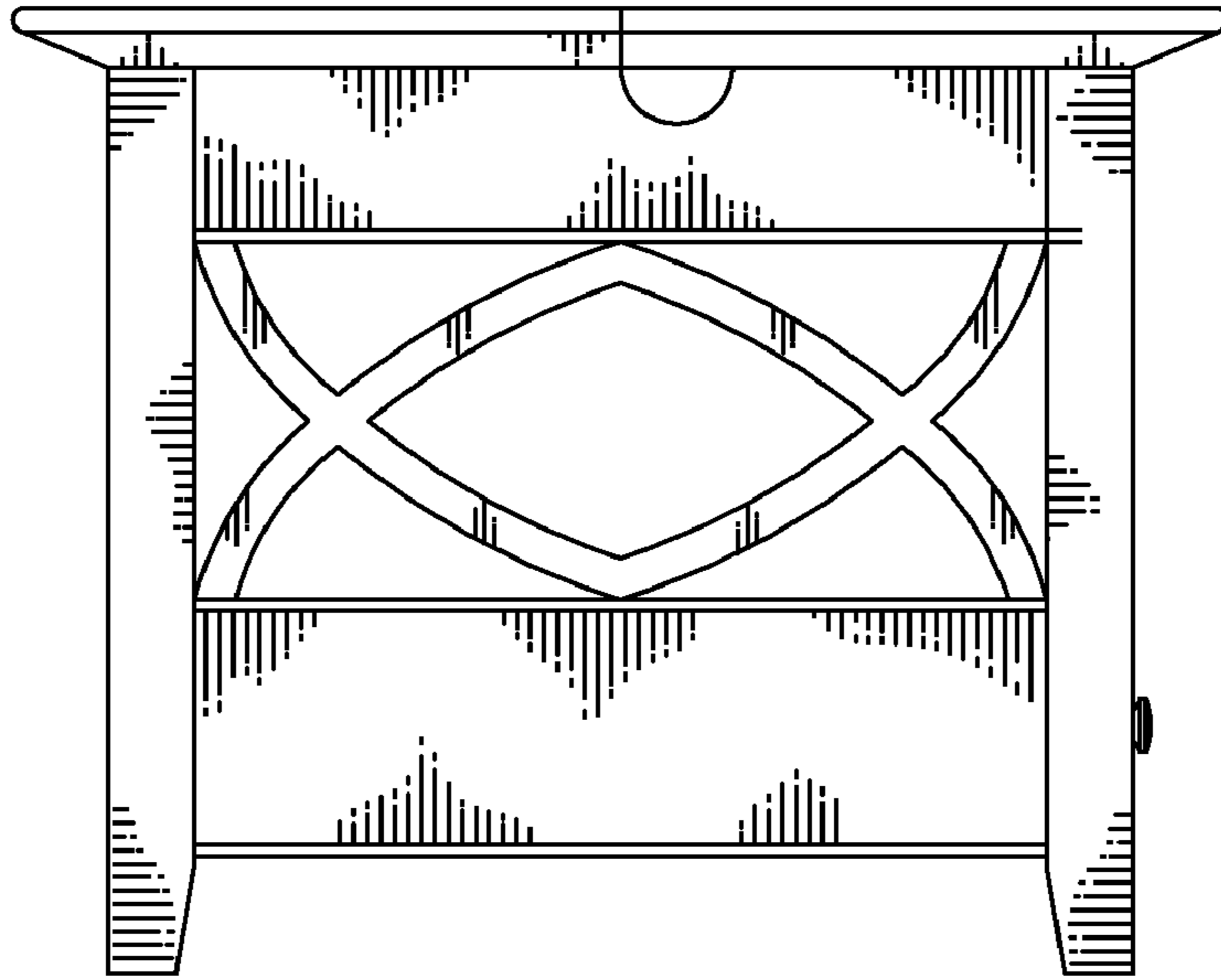


FIG. 4

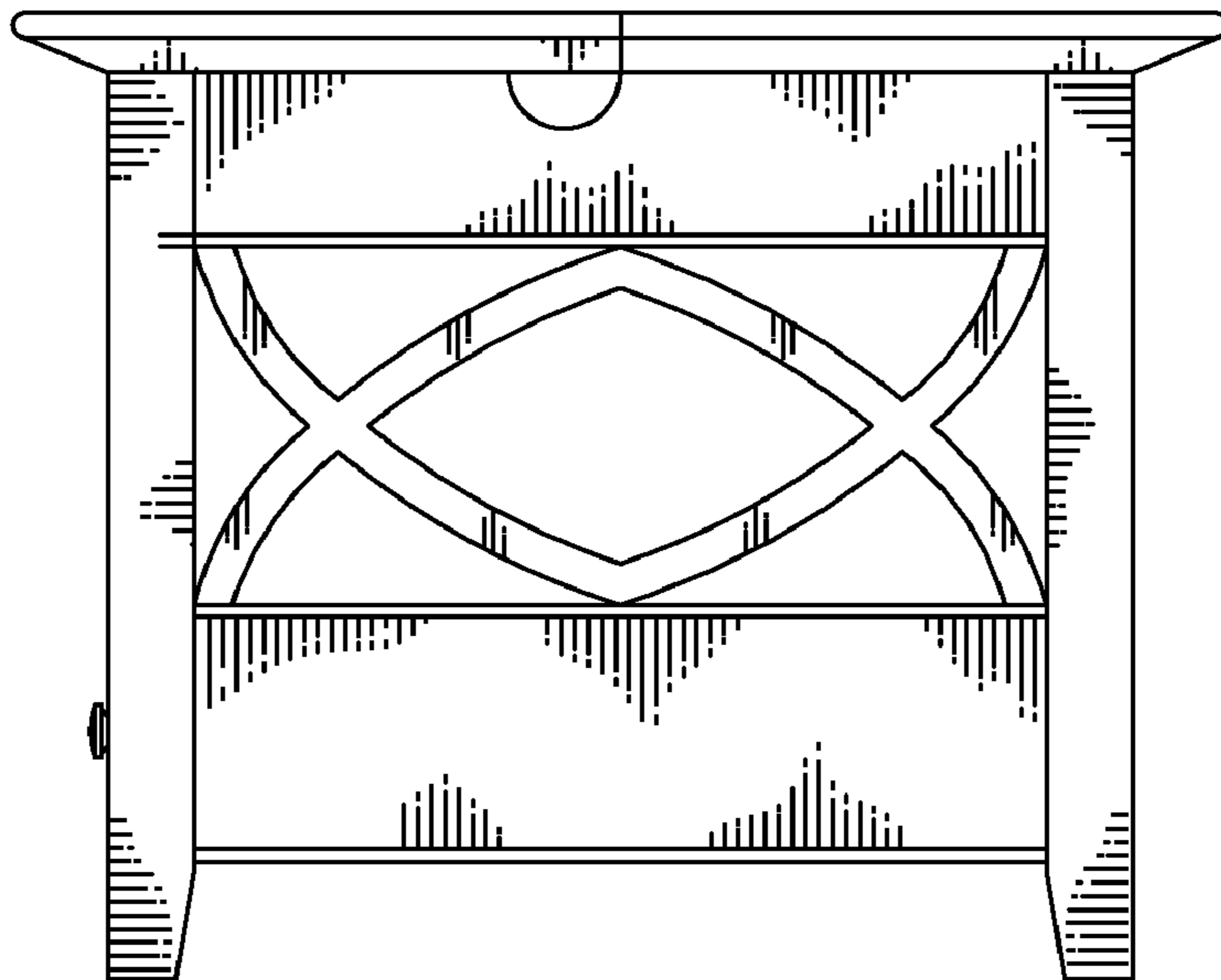


FIG. 5

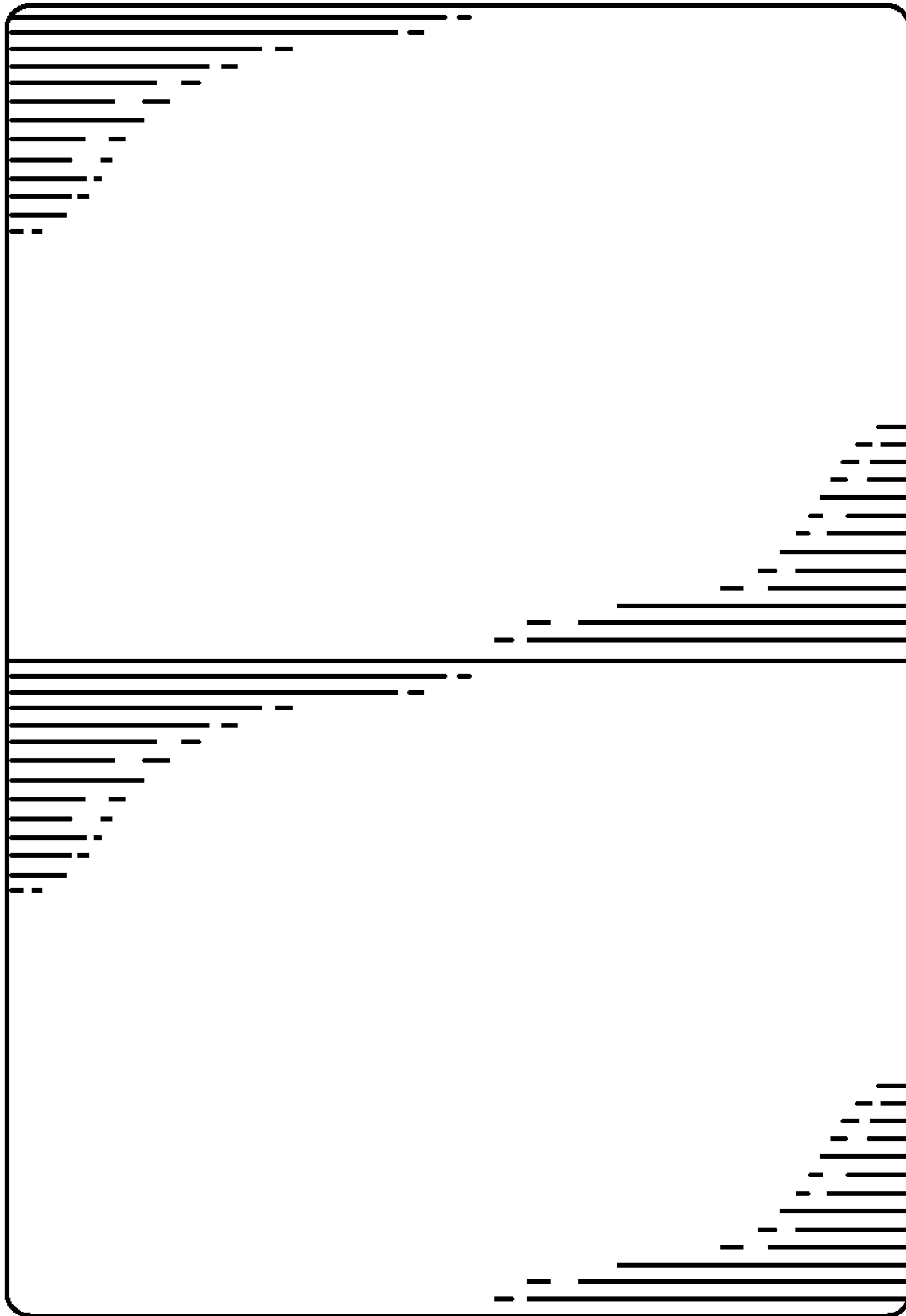


FIG. 6

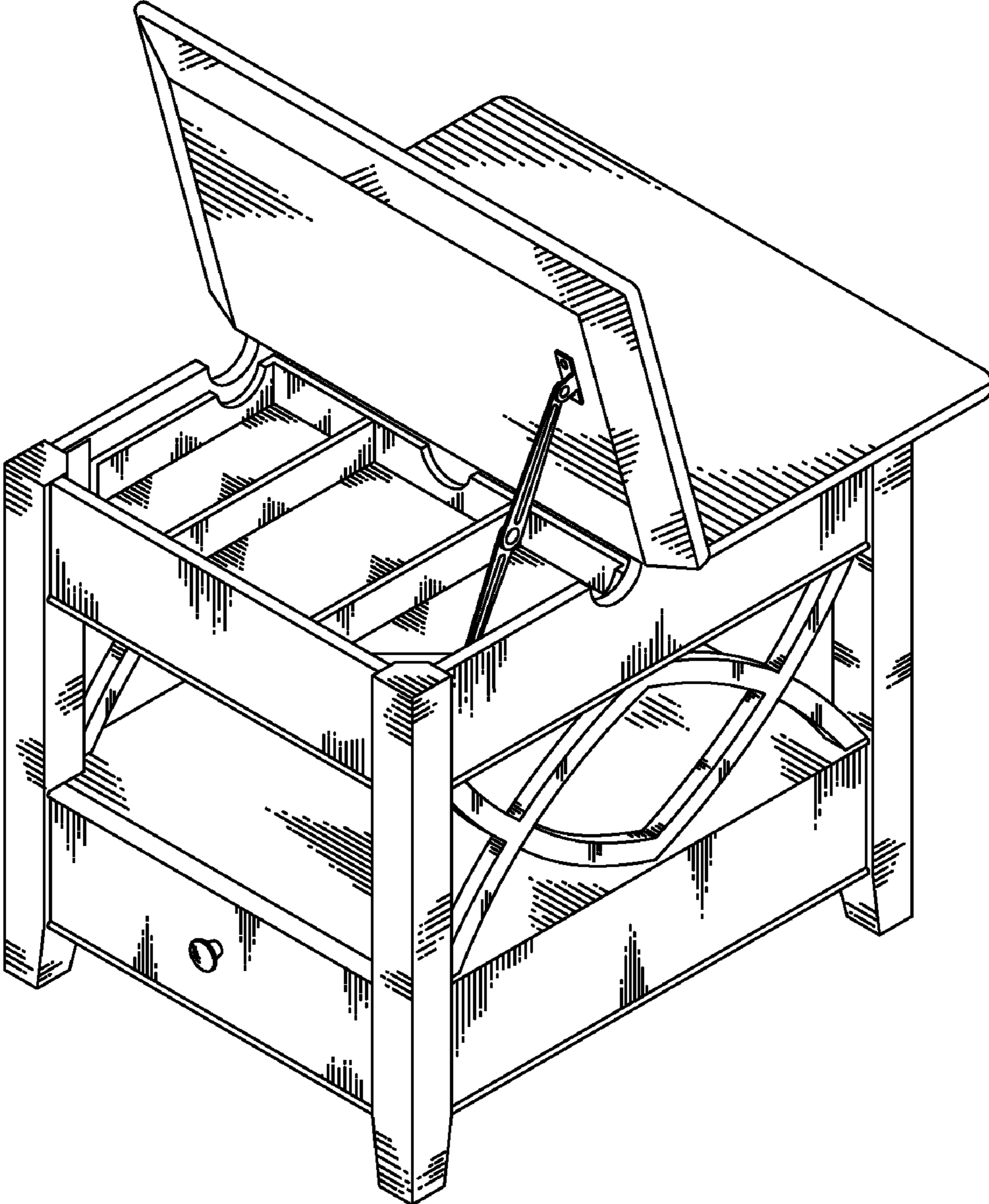


FIG. 7

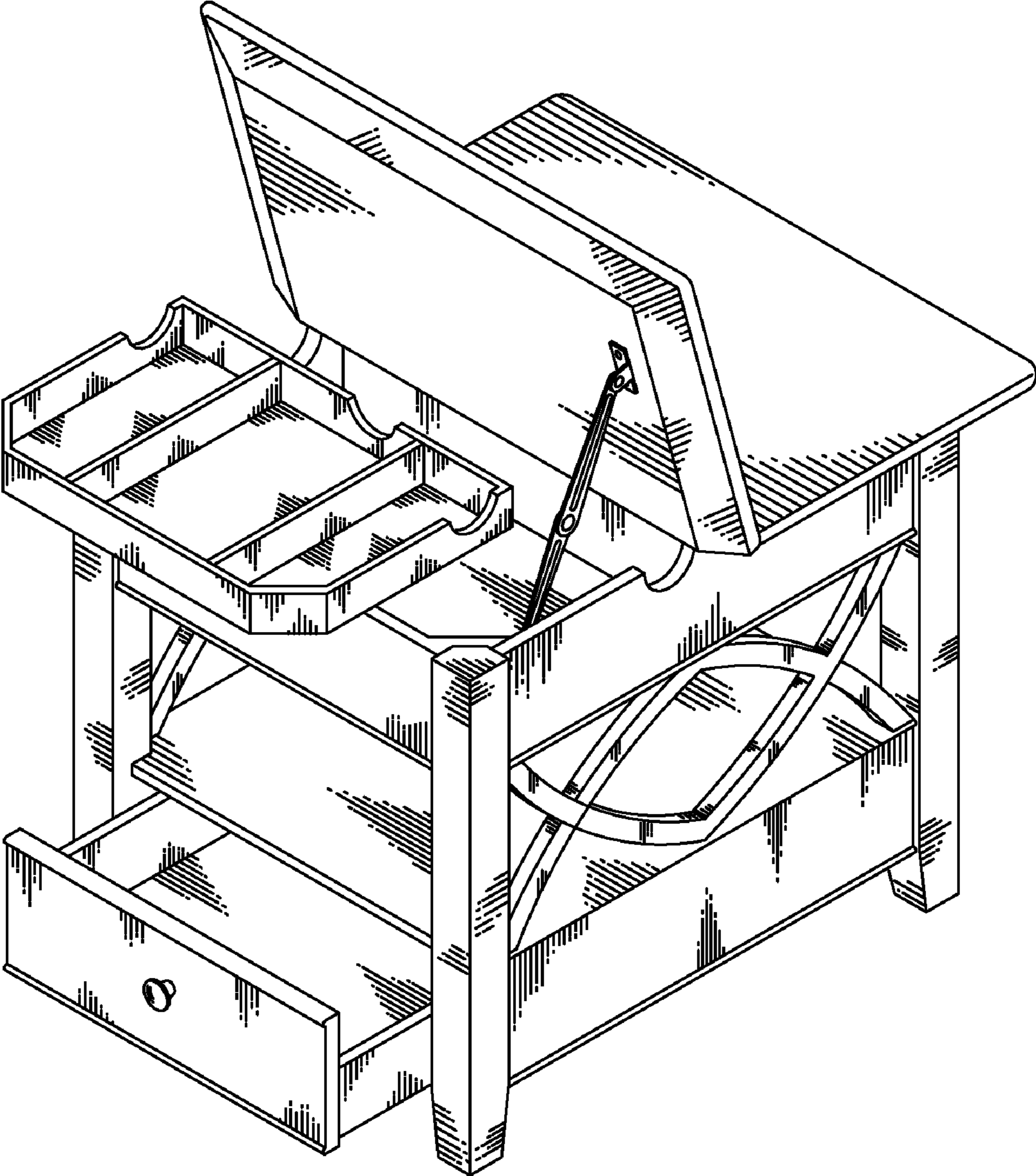


FIG. 8