

US00D591981S

(12) **United States Design Patent**
Colin

(10) **Patent No.:** **US D591,981 S**
(45) **Date of Patent:** **** May 12, 2009**

(54) **DISPLAY STAND**

(57) **CLAIM**

(75) Inventor: **Maria Alejandra Noble Colin**, Del
Magdalena Contreras, Mexico City (MX)

The ornamental design for a display stand, as shown and described.

(73) Assignee: **Frito-Lay North America, Inc.**, Plano,
TX (US)

DESCRIPTION

(**) Term: **14 Years**

FIG. 1 is a front perspective view of the first embodiment of the present invention with unclaimed environment;

(21) Appl. No.: **29/327,596**

FIG. 2 is a front perspective view of the first embodiment of the present invention;

(22) Filed: **Nov. 10, 2008**

FIG. 3 is a front elevation view of the first embodiment of the present invention;

(51) **LOC (9) Cl.** **06-04**

FIG. 4 is a left elevation view of the first embodiment of the present invention, with the right elevation view identical to the left elevation view;

(52) **U.S. Cl.** **D6/470**

FIG. 5 is a rear elevation view of the first embodiment of the present invention;

(58) **Field of Classification Search** D6/455,
D6/461, 470-472, 475, 457-458; 312/128,
312/116; 211/85.4, 70.3, 85.2, 85.1, 58,
211/70, 78; 108/91-92, 94, 59; D25/16,
D25/31; D18/36; D9/643

FIG. 6 is a top plan view of the first embodiment of the present invention;

See application file for complete search history.

FIG. 7 is a bottom plan view of the first embodiment of the present invention;

(56) **References Cited**

FIG. 8 is a front perspective view of the second embodiment of the present invention with unclaimed environment;

U.S. PATENT DOCUMENTS

FIG. 9 is a front perspective view of the second embodiment of the present invention;

D244,981 S *	7/1977	Austin	D6/464
D249,311 S *	9/1978	Coulthurst	D6/457
D294,208 S *	2/1988	Noyes et al.	D6/457
D296,169 S *	6/1988	Weaver	D6/476
D343,766 S *	2/1994	Bastidos	D7/614
D379,884 S *	6/1997	Eastman	D6/472
D381,433 S *	7/1997	Priestley et al.	D25/16
D404,600 S *	1/1999	Henry et al.	D6/509
D423,252 S *	4/2000	Miranda	D6/459
D429,091 S *	8/2000	Chen	D6/461
D462,545 S *	9/2002	Malle	D6/472
D473,075 S *	4/2003	Malle	D6/472
D550,480 S *	9/2007	Shoui et al.	D6/472
7,353,638 B2 *	4/2008	Salemi	52/27.5

FIG. 10 is a front elevation view of the second embodiment of the present invention;

* cited by examiner

FIG. 11 is a left elevation view of the second embodiment of the present invention, with the right elevation view identical to the left elevation view;

Primary Examiner—Elizabeth A Albert

FIG. 12 is a rear elevation view of the second embodiment of the present invention;

Assistant Examiner—Kelley A Donnelly

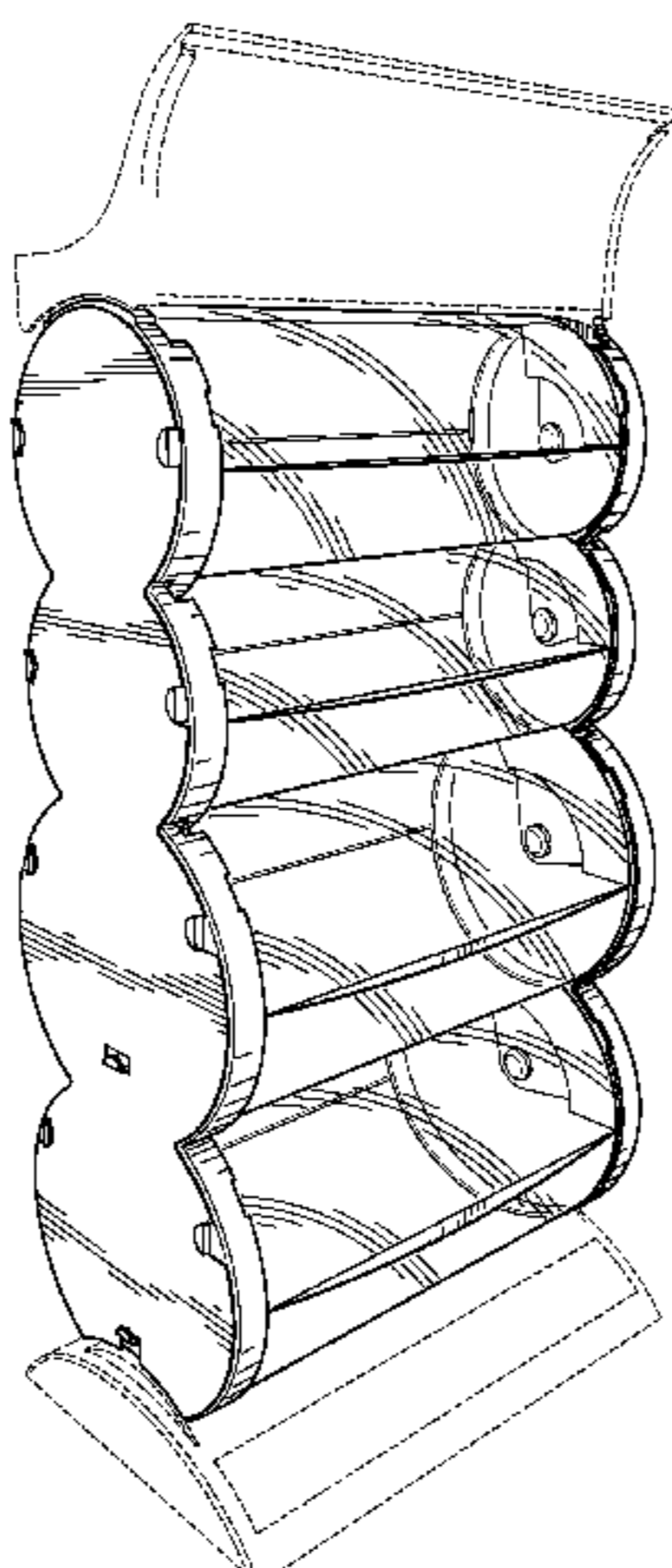
FIG. 13 is a top plan view of the second embodiment of the present invention; and,

(74) *Attorney, Agent, or Firm*—Colin P. Cahoon; Carstens & Cahoon, LLP

FIG. 14 is a bottom plan view of the second embodiment of the present invention.

The broken line showing of a base and header in FIGS. 1 and 8 is for the purpose of illustrating unclaimed environment and forms no part of the claimed design.

1 Claim, 12 Drawing Sheets



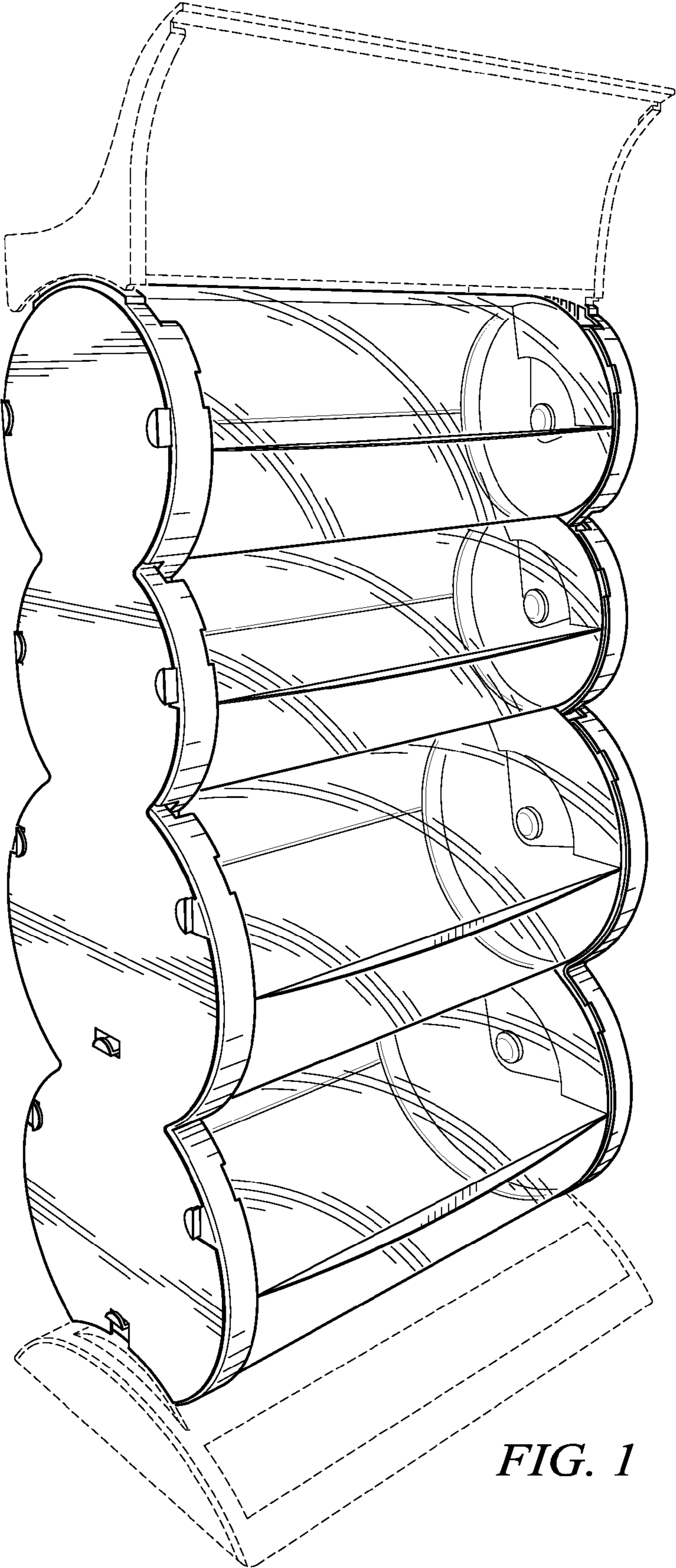


FIG. 1

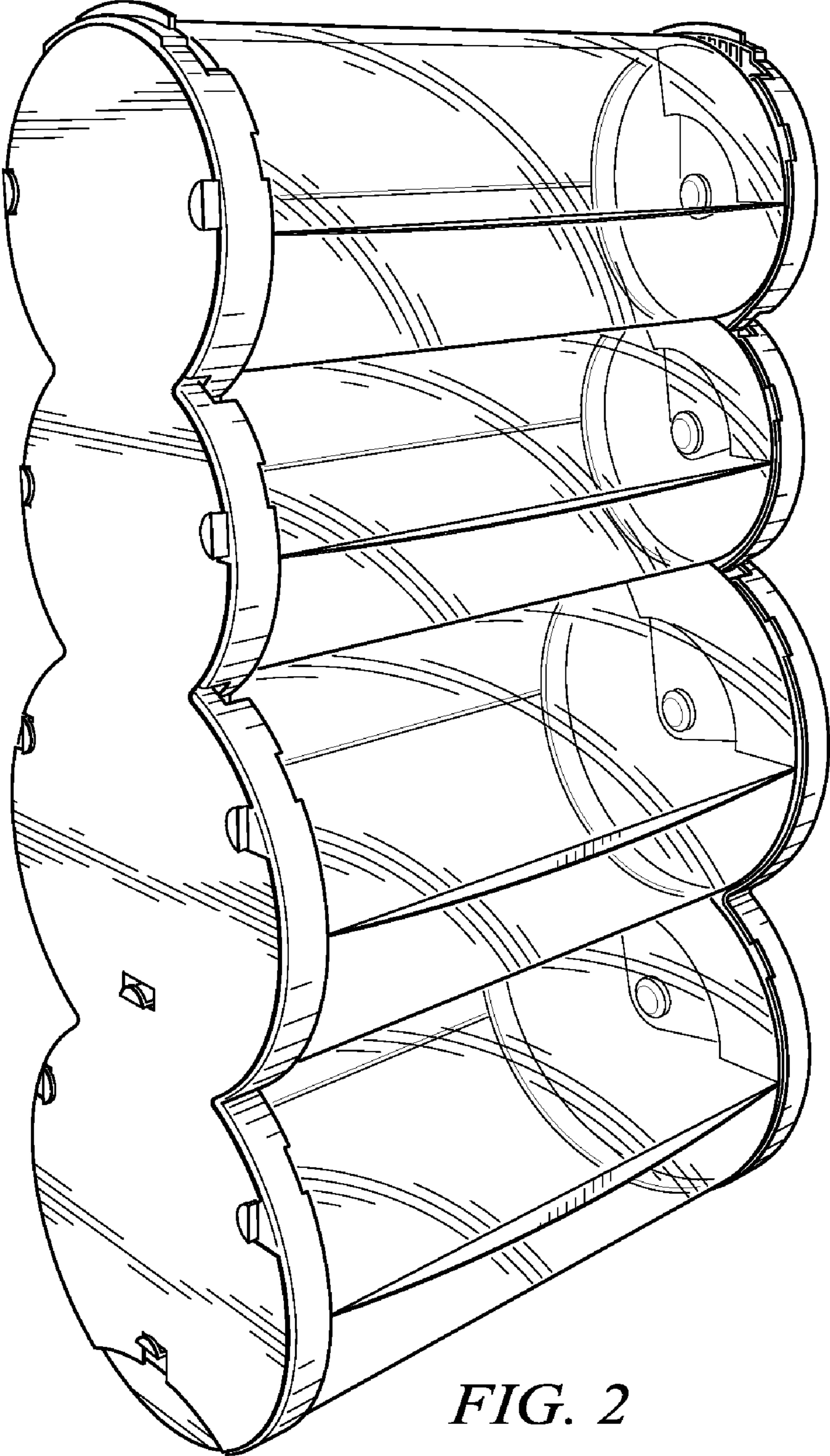


FIG. 2

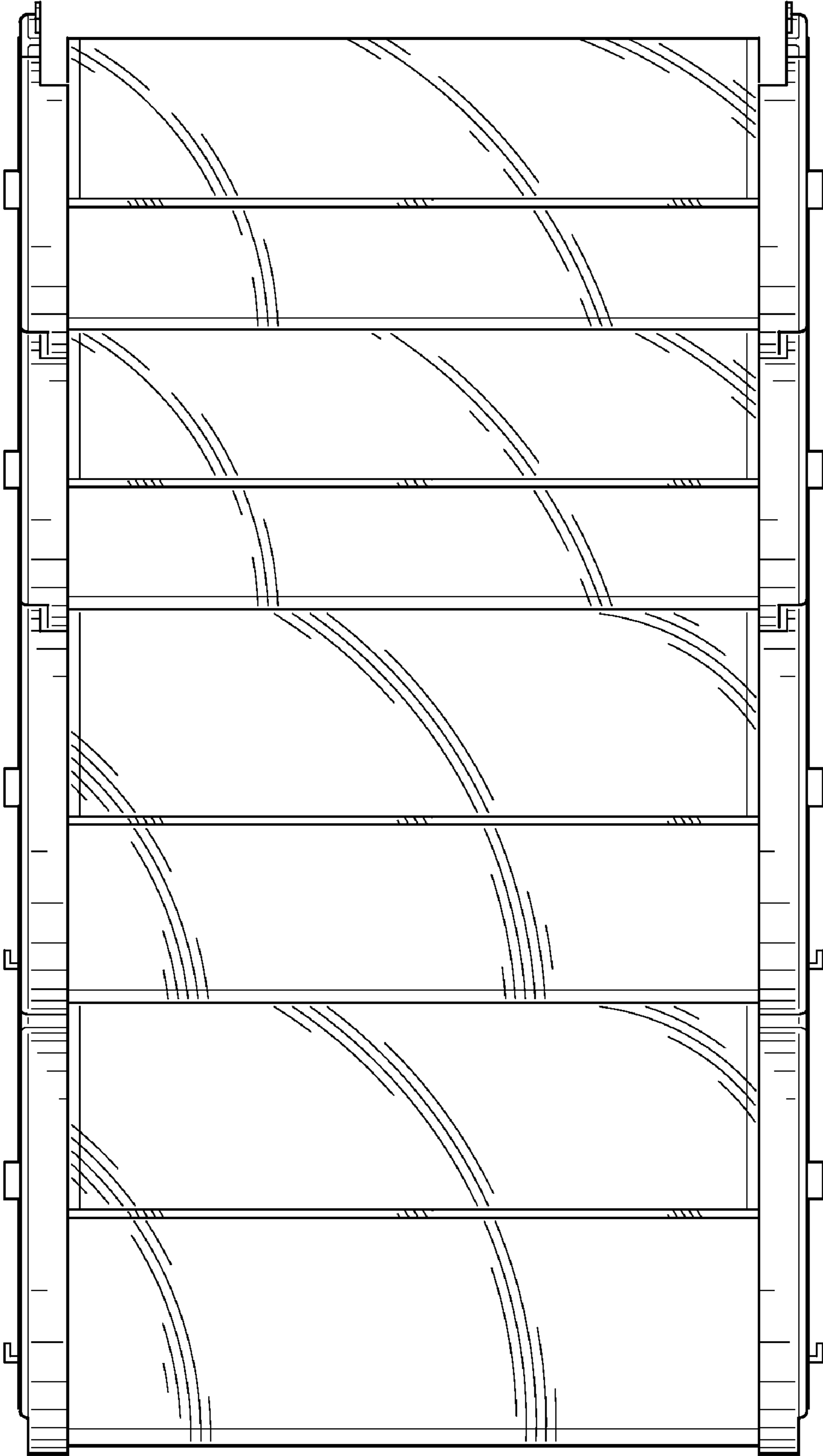


FIG. 3

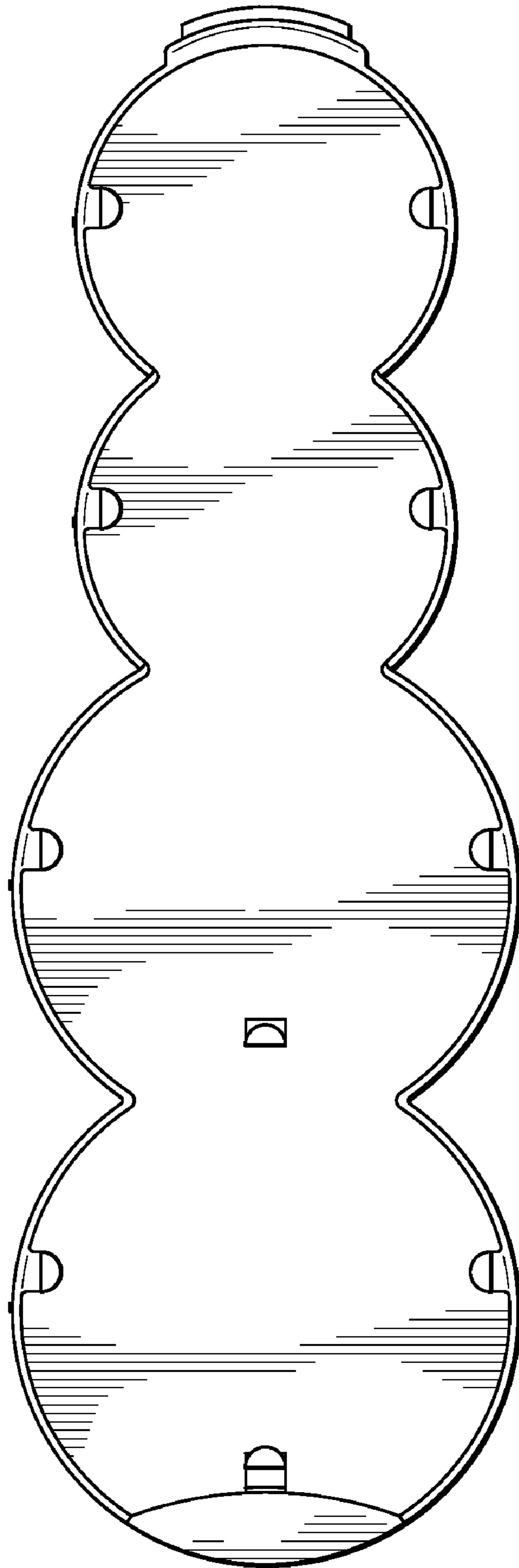


FIG. 4

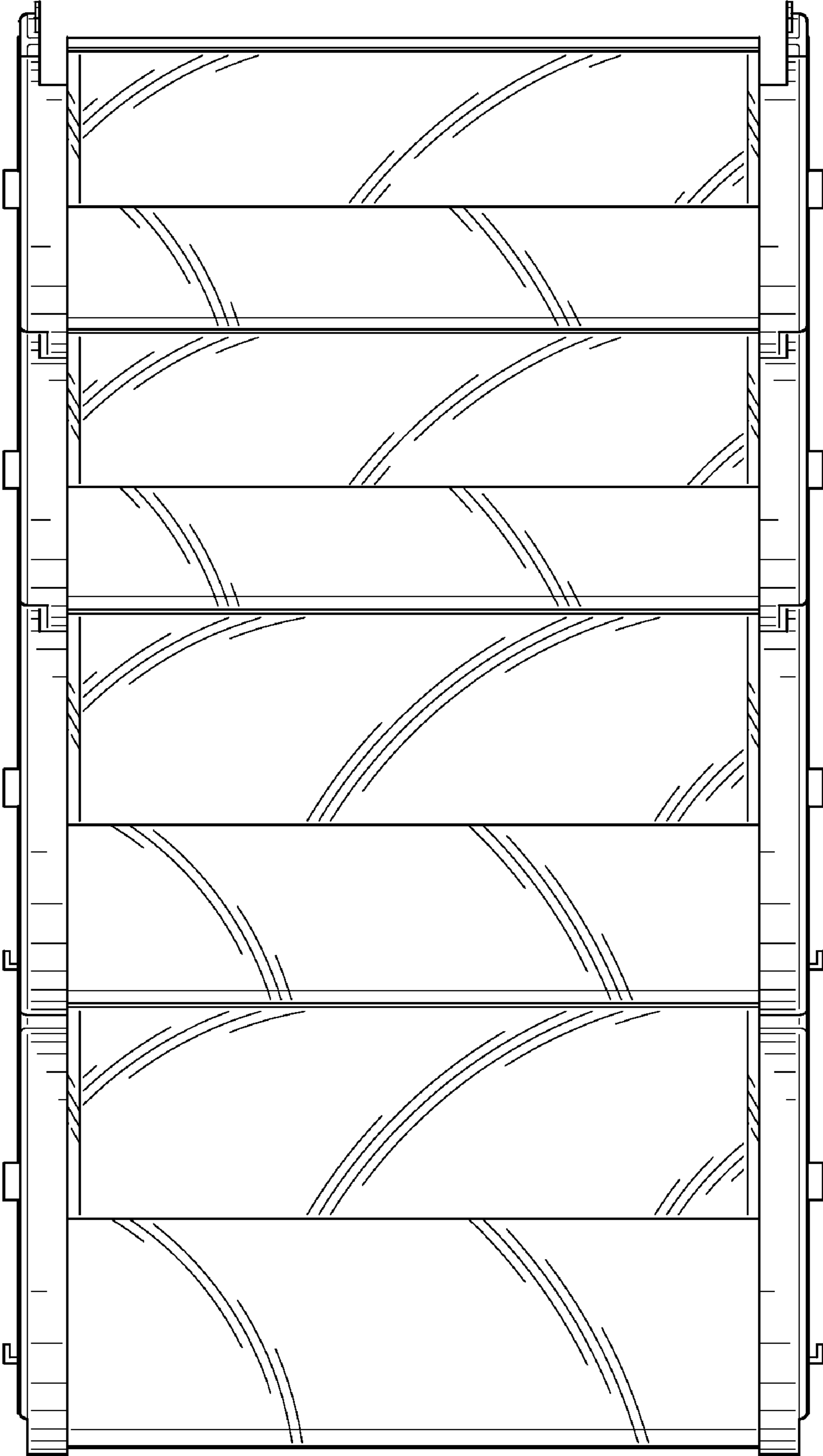


FIG. 5

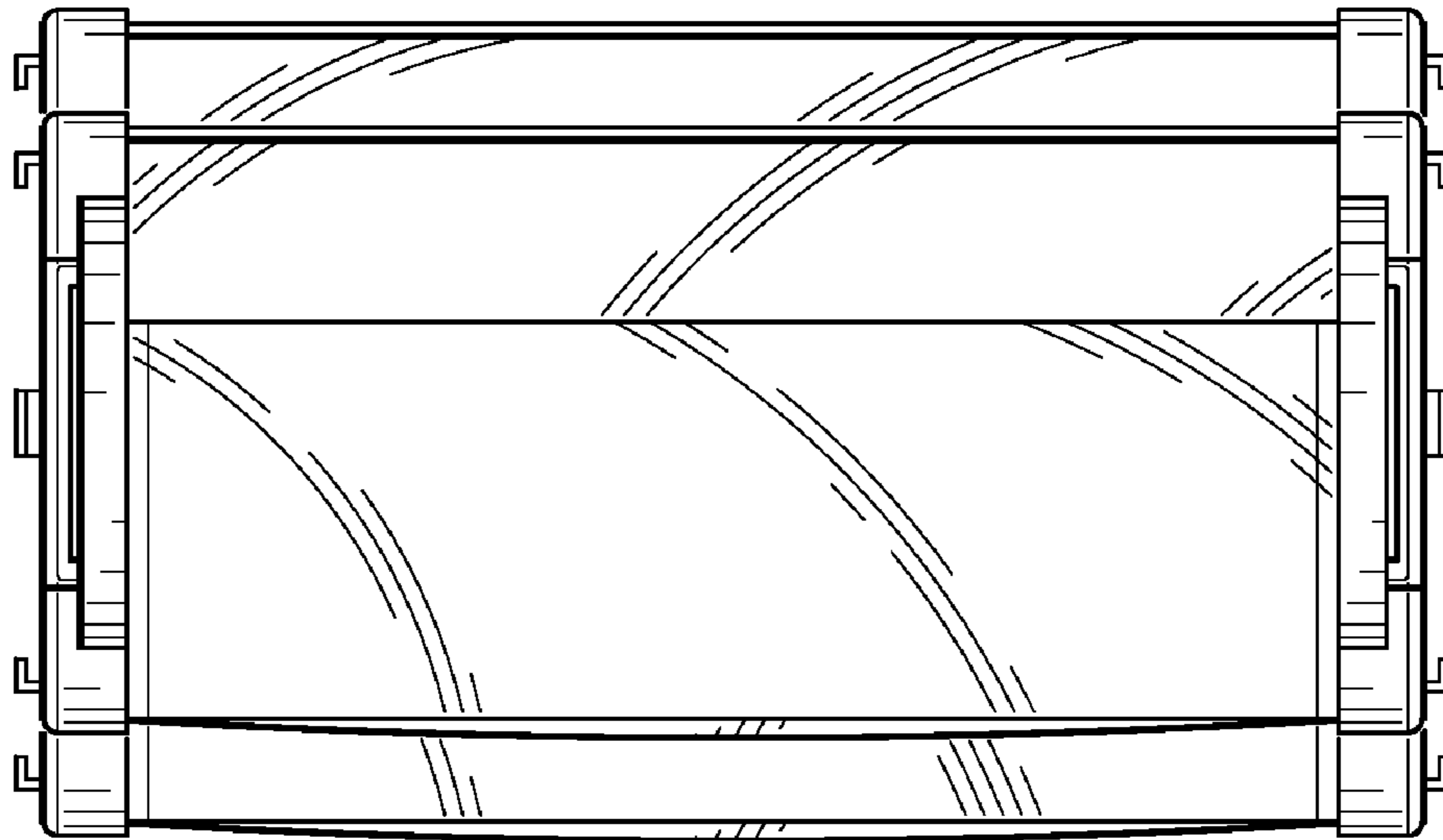


FIG. 6

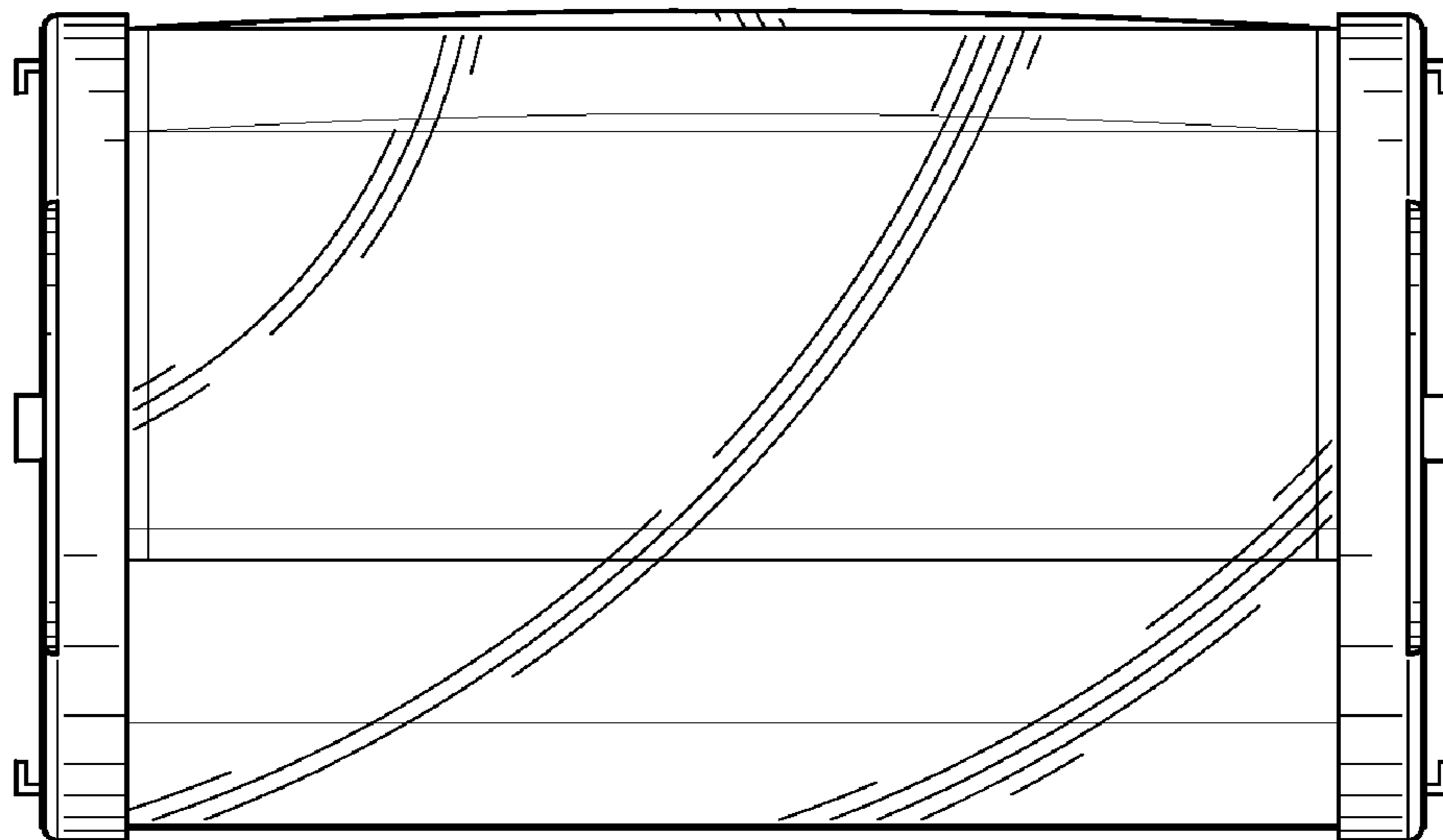


FIG. 7

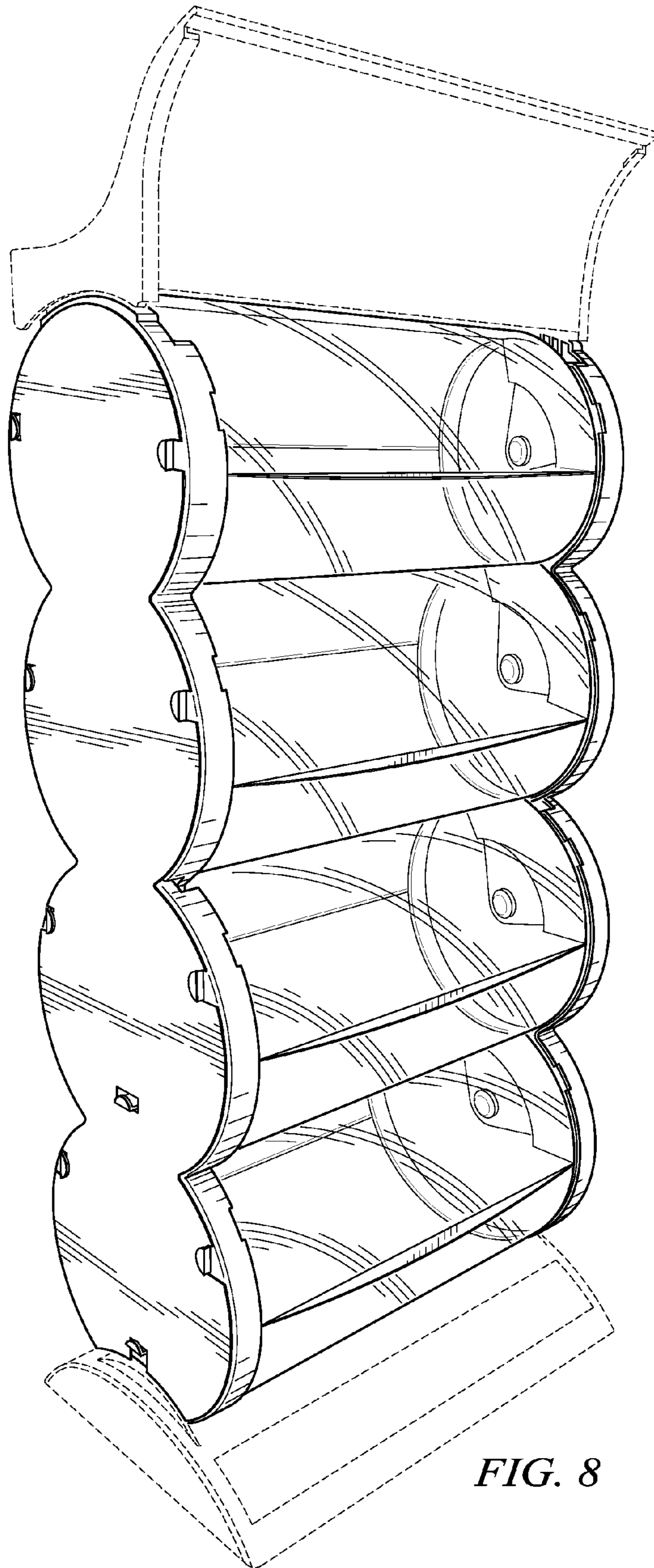


FIG. 8

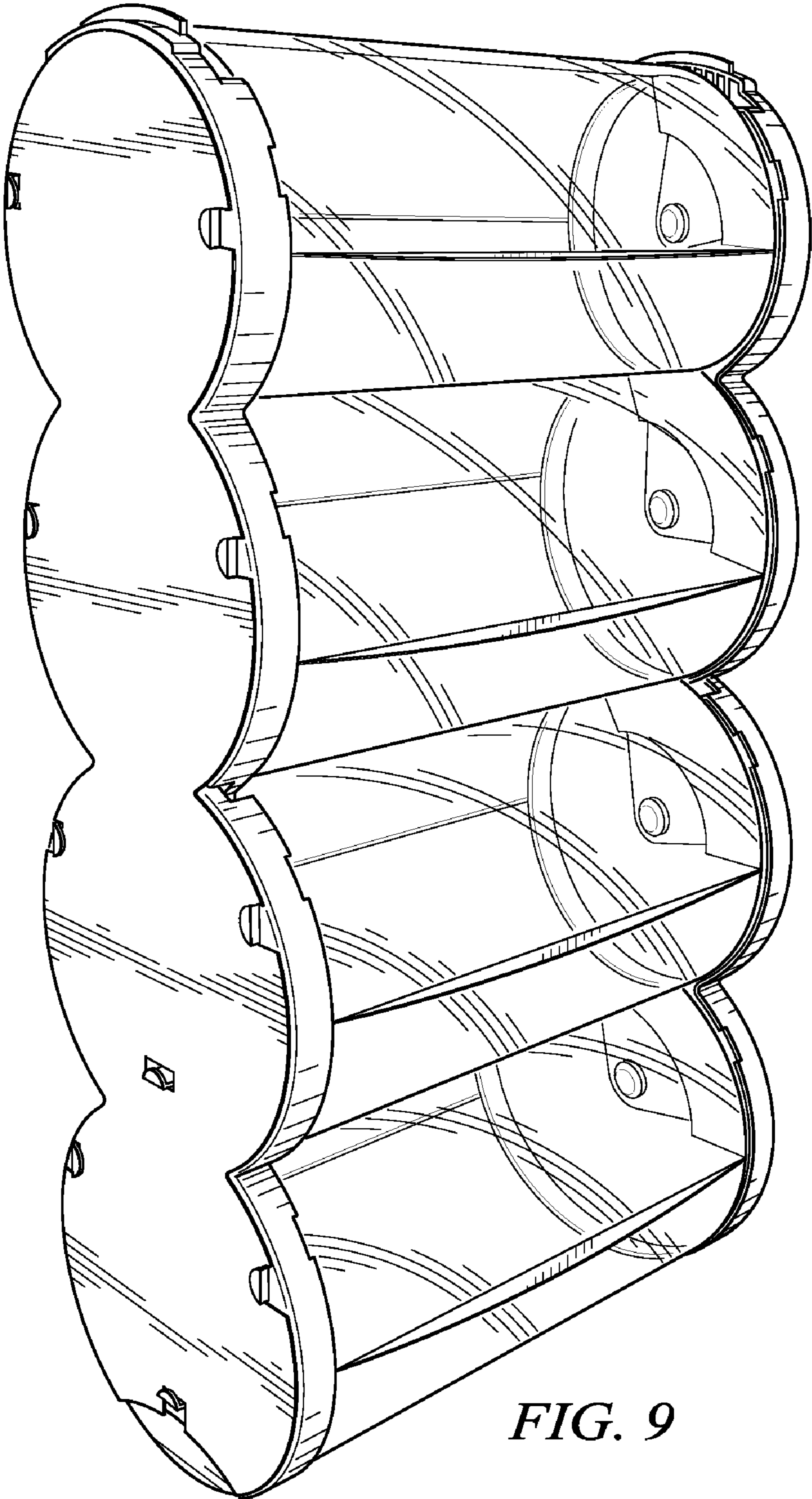


FIG. 9

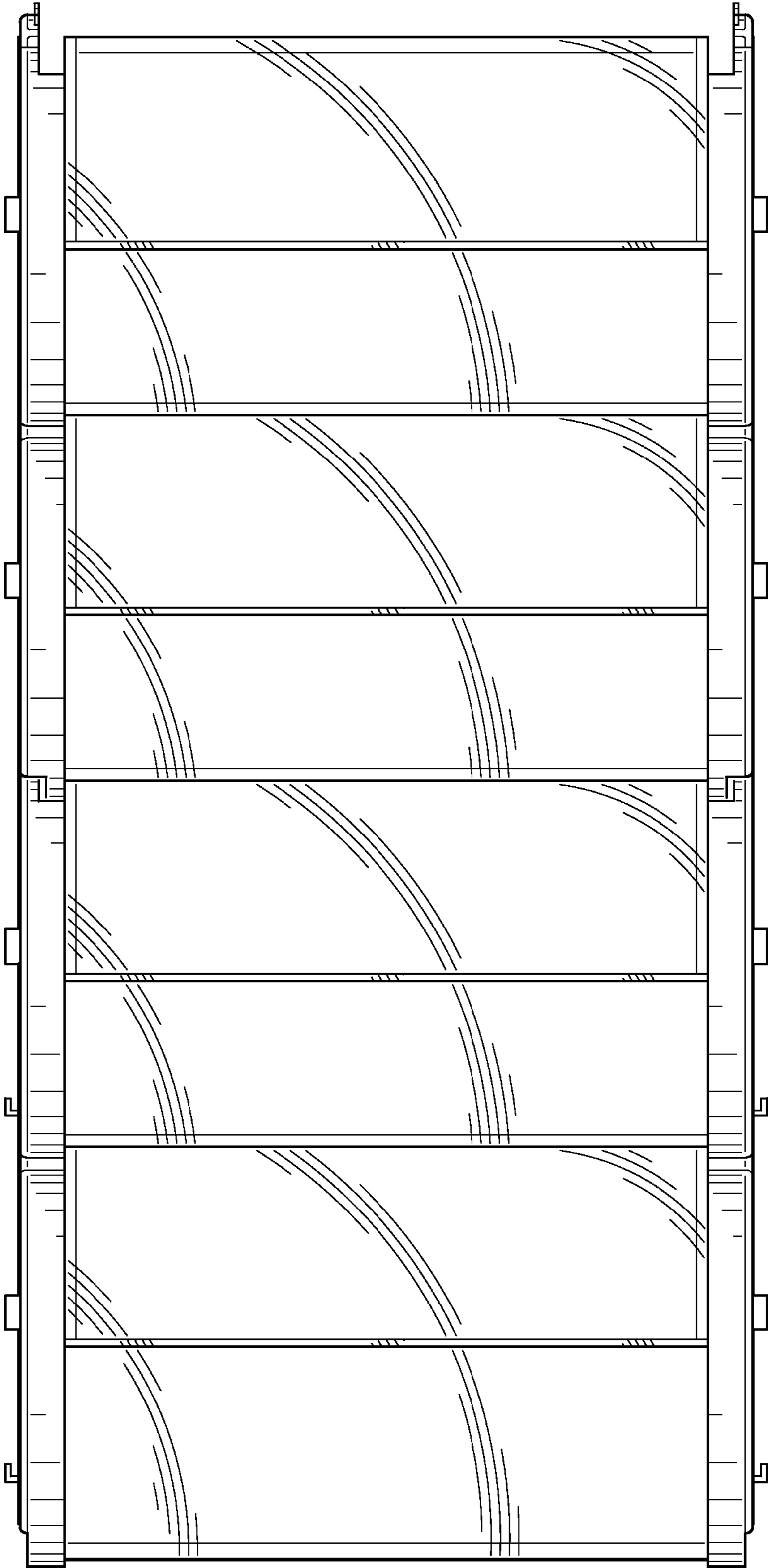


FIG. 10

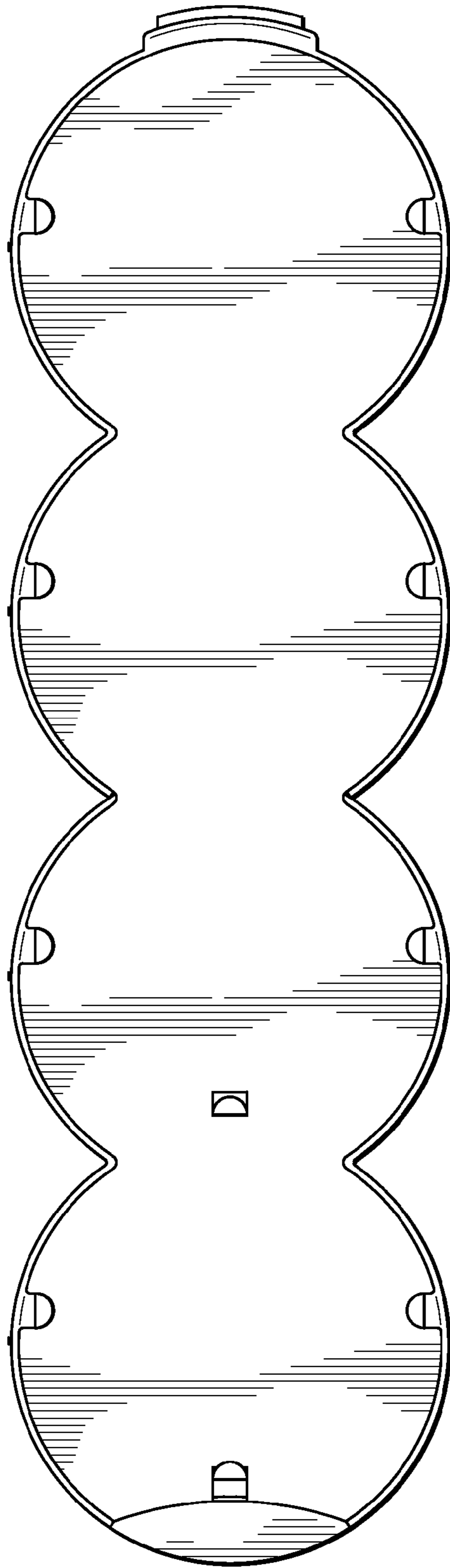


FIG. 11

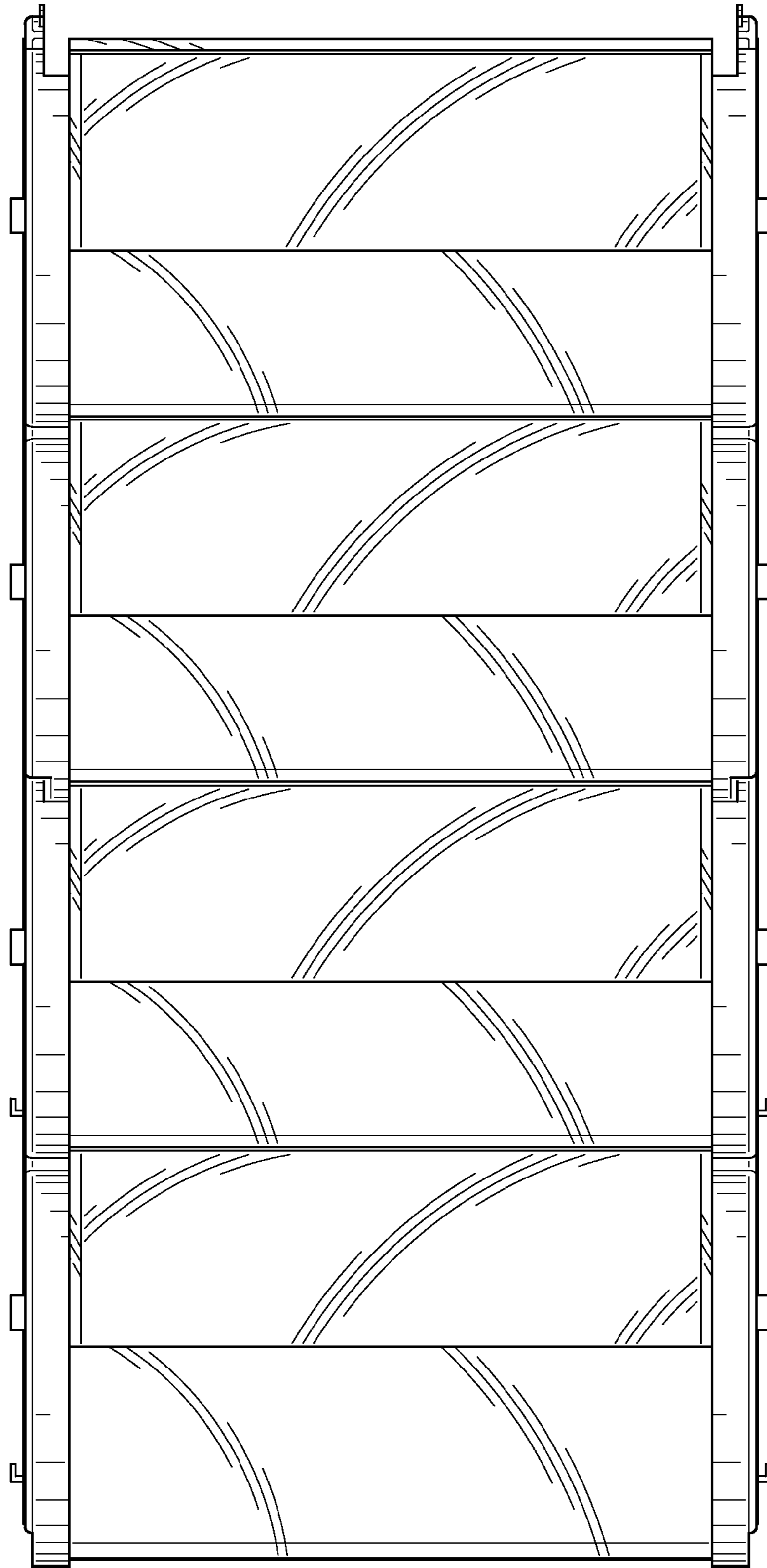


FIG. 12

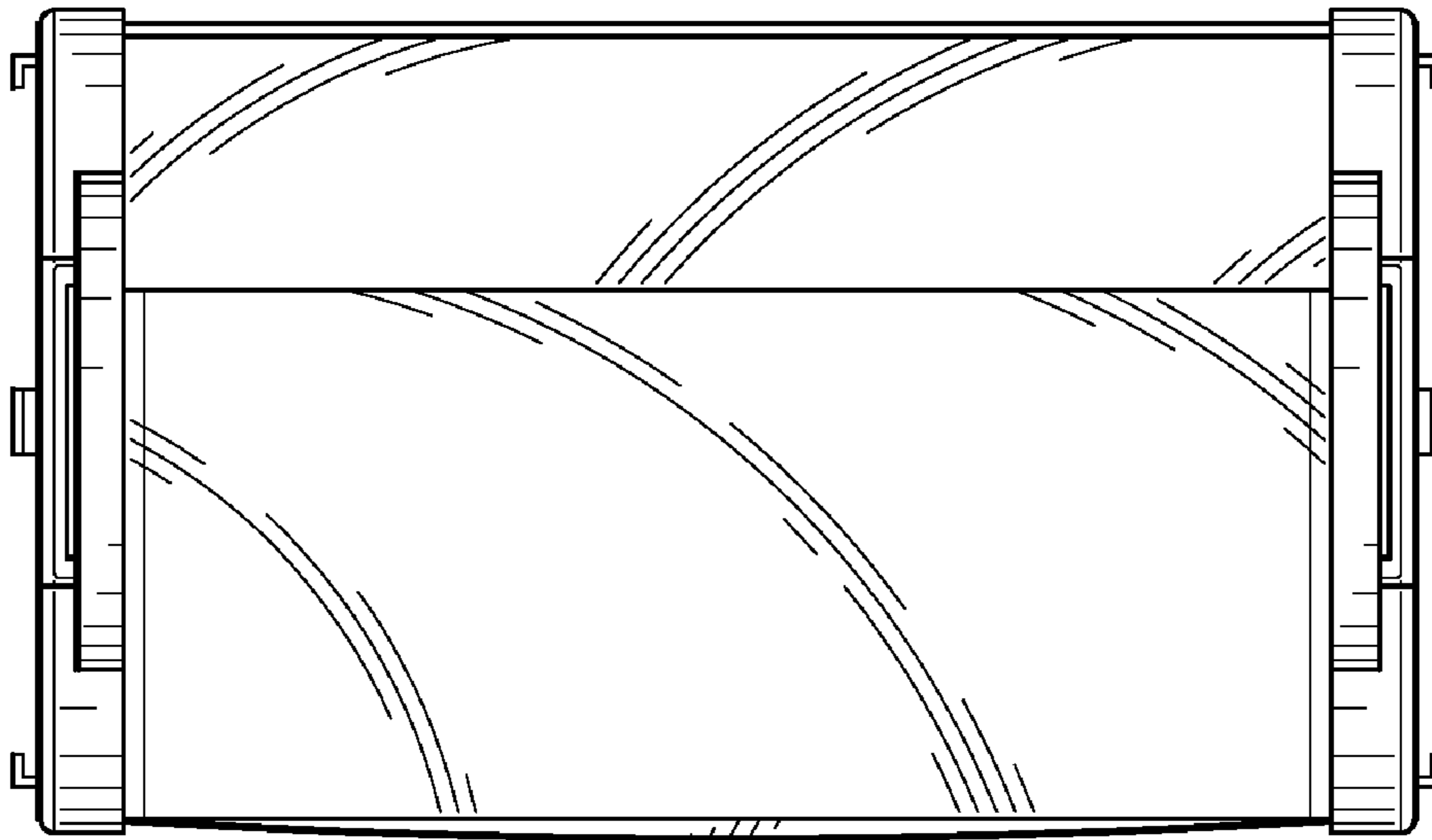


FIG. 13

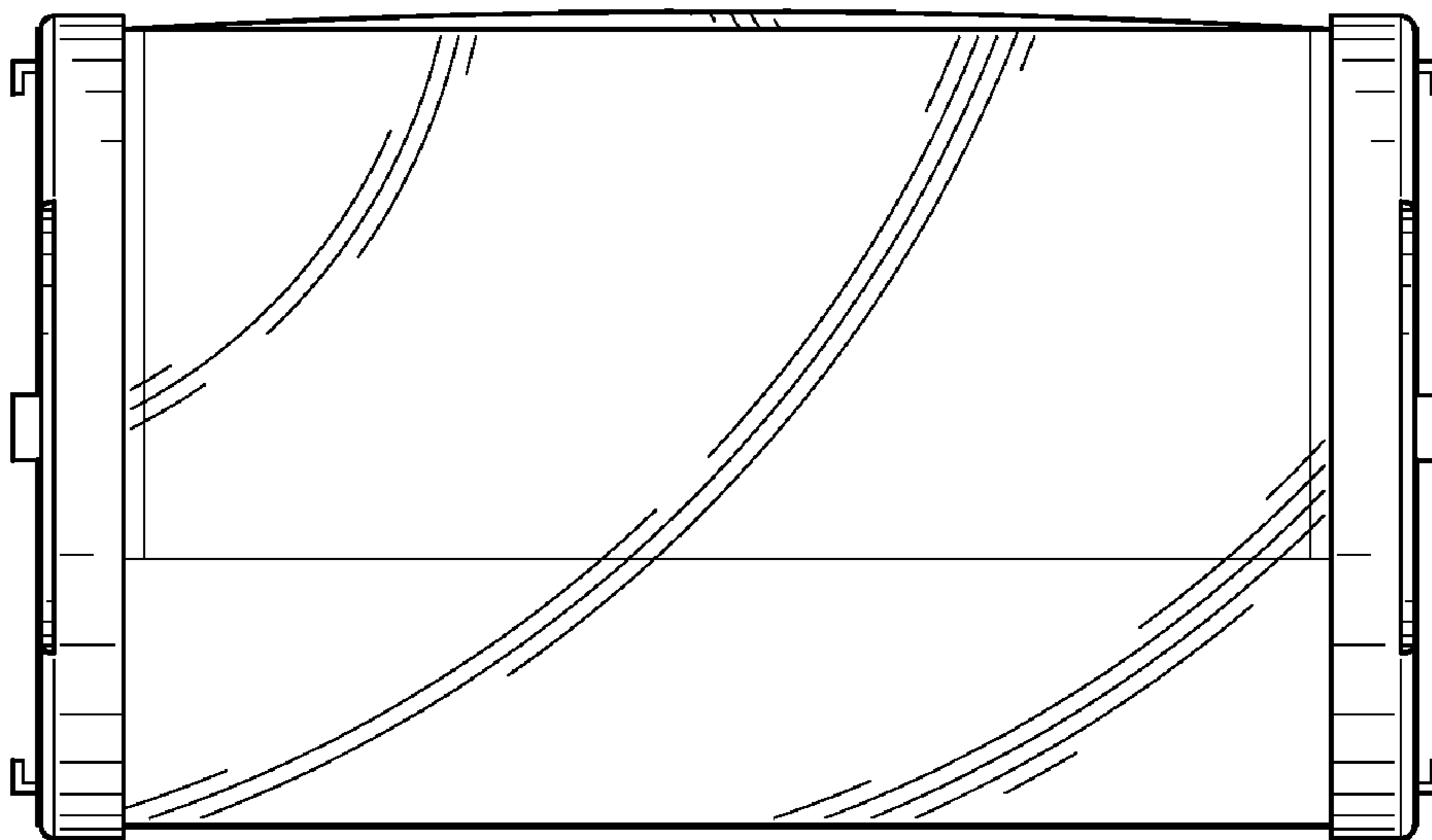


FIG. 14