



US00D591980S

(12) **United States Design Patent**
Brinson et al.

(10) **Patent No.:** **US D591,980 S**

(45) **Date of Patent:** **** May 12, 2009**

(54) **BODY FORM FOR DISPLAY CASE**

D537,638 S * 3/2007 Kamioka D6/303

(76) Inventors: **David M. Brinson**, 4909 Paces Trail
#511, Arlington, TX (US) 76017;
Garland R. Brinson, 12353 Silvermist
Trail, Burleson, TX (US) 76028

* cited by examiner

Primary Examiner—Caron Veynar
Assistant Examiner—Sydney R Buffalow
(74) *Attorney, Agent, or Firm*—James E. Walton

(**) Term: **14 Years**

(57) **CLAIM**

(21) Appl. No.: **29/318,100**

The ornamental design for a body form for display case, as shown and described.

(22) Filed: **May 13, 2008**

(51) **LOC (9) Cl.** **06-04**

(52) **U.S. Cl.** **D6/450; D20/31**

(58) **Field of Classification Search** D6/303,
D6/450, 467, 449; D20/31, 10, 19, 32; 223/67,
223/68, 69; 206/278, 284, 298; D27/148;
D9/415

See application file for complete search history.

DESCRIPTION

FIG. 1 is a perspective view of the body form for display case according to the present application.

FIG. 2 is a front view of the body form for display case according to the present application.

FIG. 3 is a right side view of the body form for display case according to the present application. The left side view is a mirror image of the right side view.

FIG. 4 is a rear view of the body form for display case according to the present application.

FIG. 5 is a top view of the body form for display case according to the present application; and,

FIG. 6 is a bottom view of the body form for display case according to the present application.

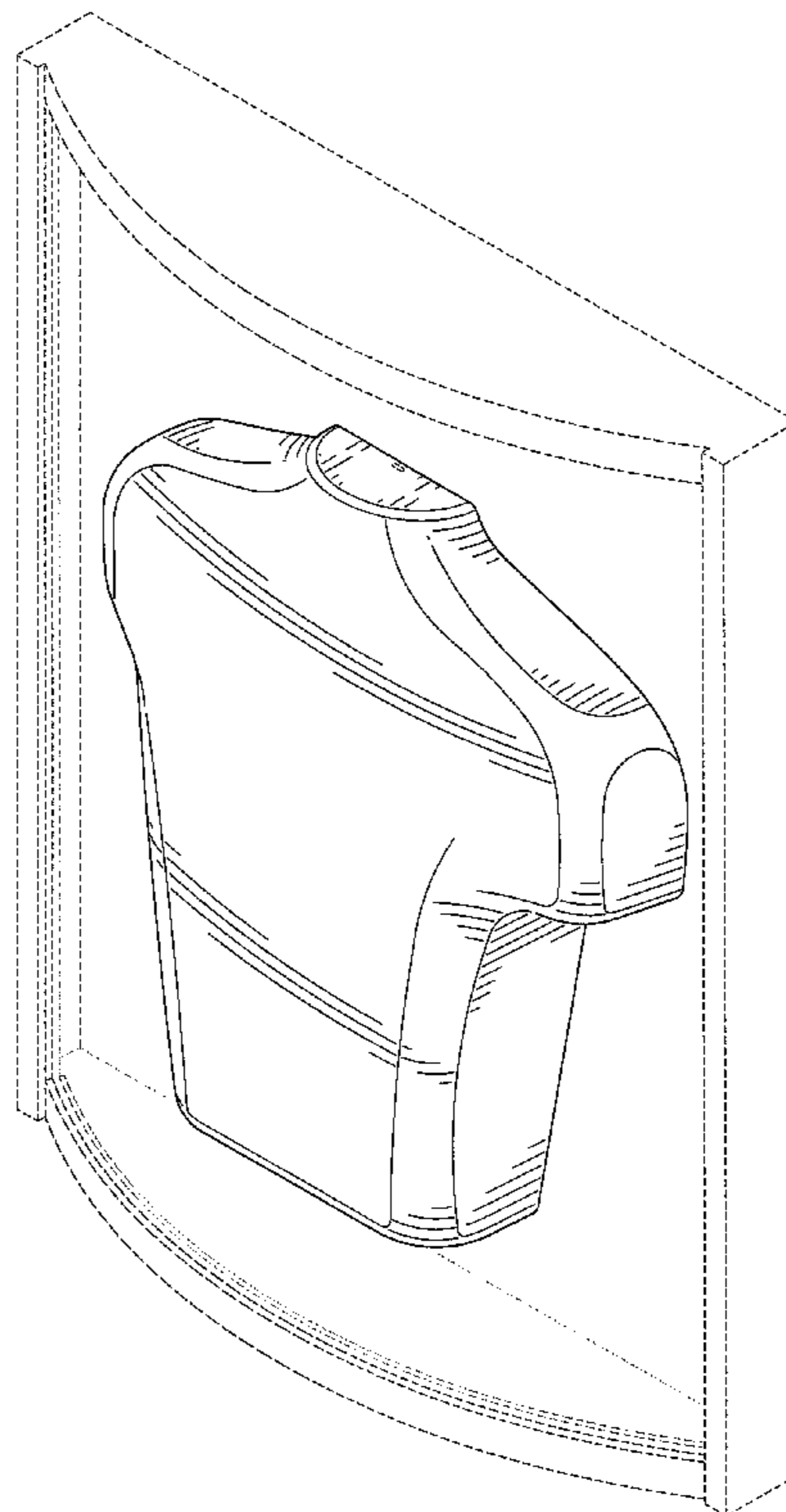
The broken lines in all views are for illustrative purposes only and form no part of the claimed design.

(56) **References Cited**

U.S. PATENT DOCUMENTS

3,082,920	A	*	3/1963	Stein et al.	223/67
D382,019	S	*	8/1997	King et al.	D20/31
D418,169	S	*	12/1999	Pace	D20/31
6,012,573	A	*	1/2000	Kurimoto	206/278
D432,412	S	*	10/2000	Gamboa	D9/415
D473,266	S	*	4/2003	Seymour	D20/31
D480,762	S	*	10/2003	Dykstra	D20/31
D480,763	S	*	10/2003	Dykstra	D20/31
D521,682	S	*	5/2006	Chen	D27/148
D535,827	S	*	1/2007	Kamioka	D6/303

1 Claim, 5 Drawing Sheets



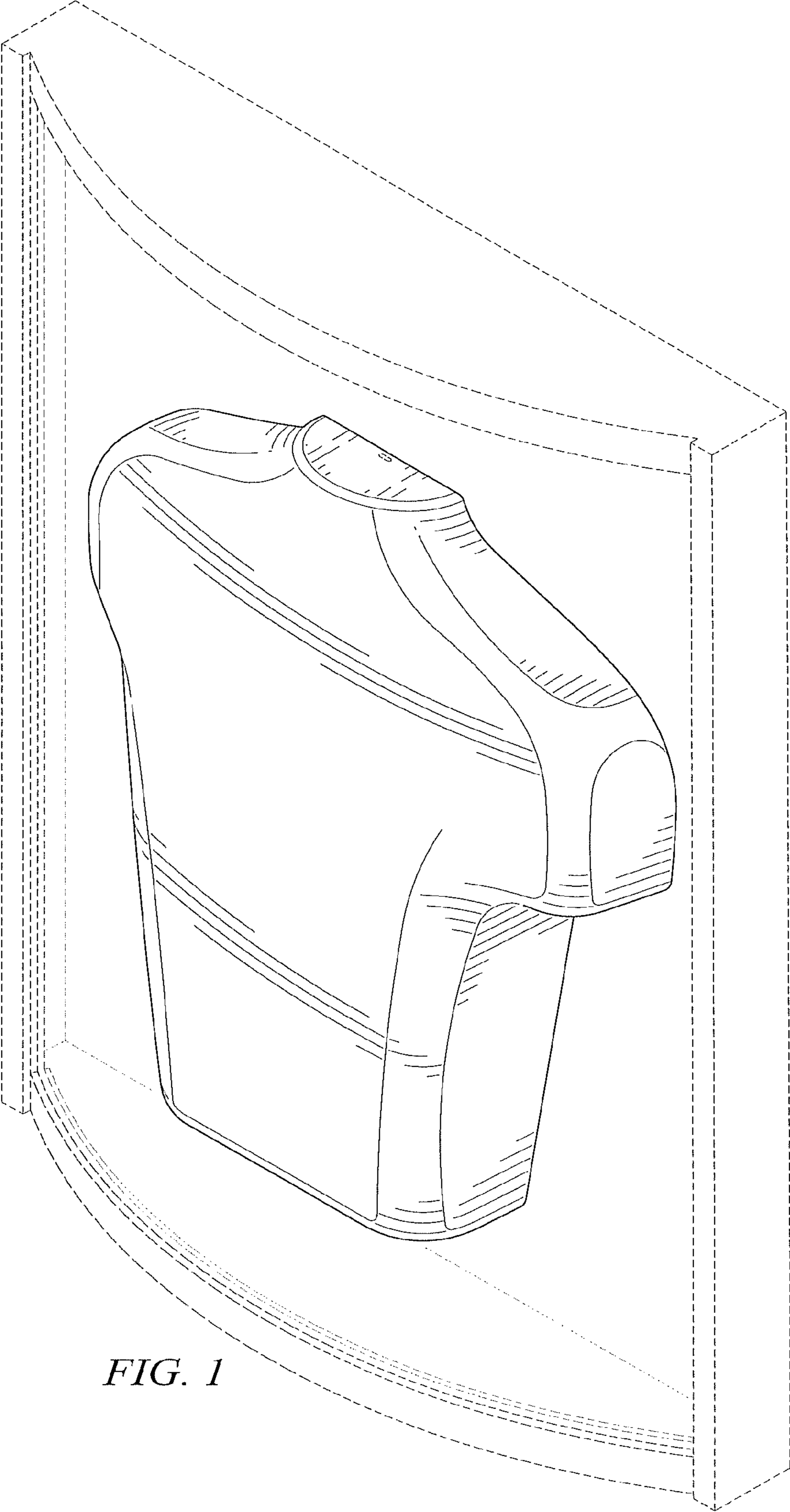


FIG. 1

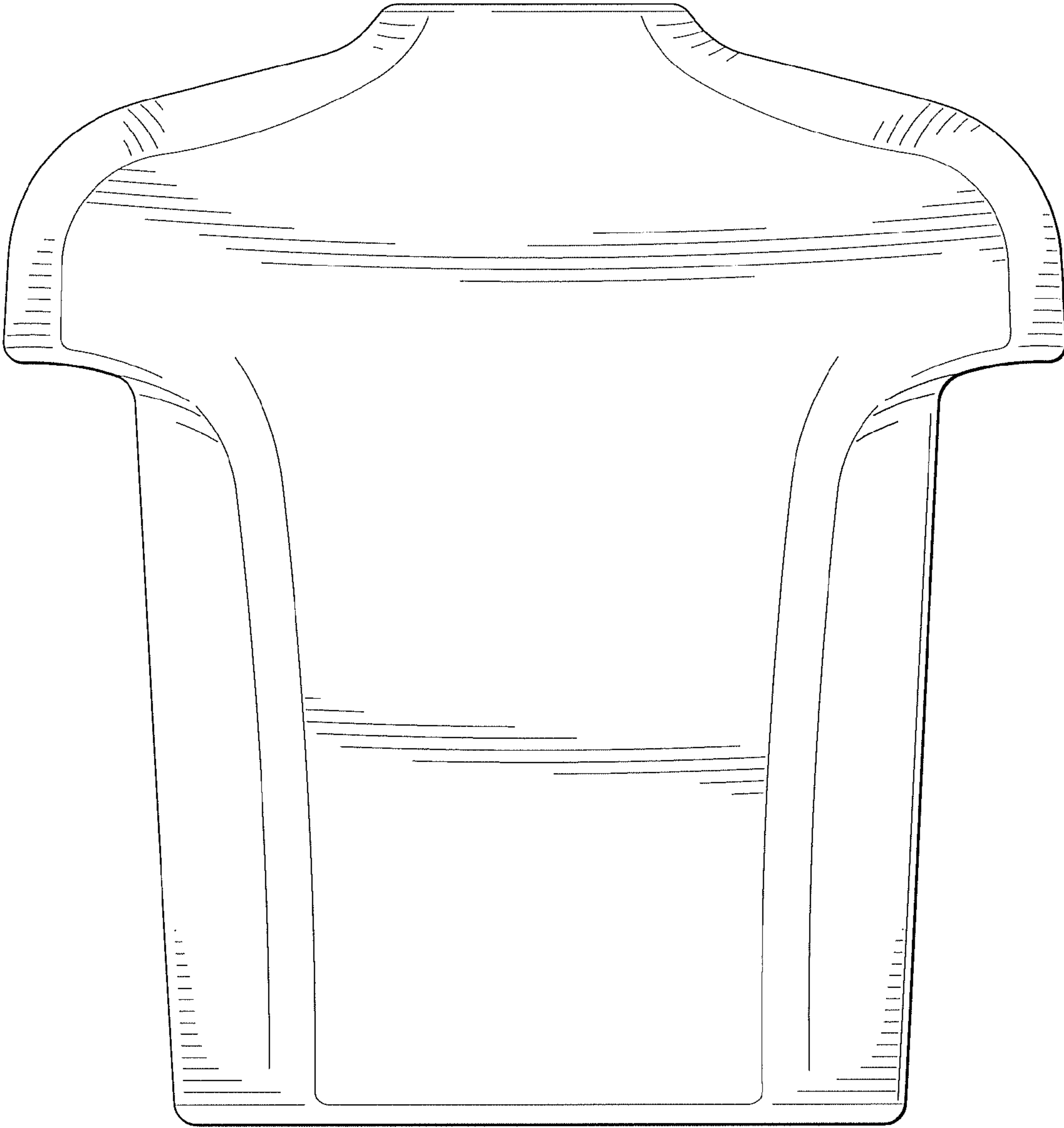


FIG. 2

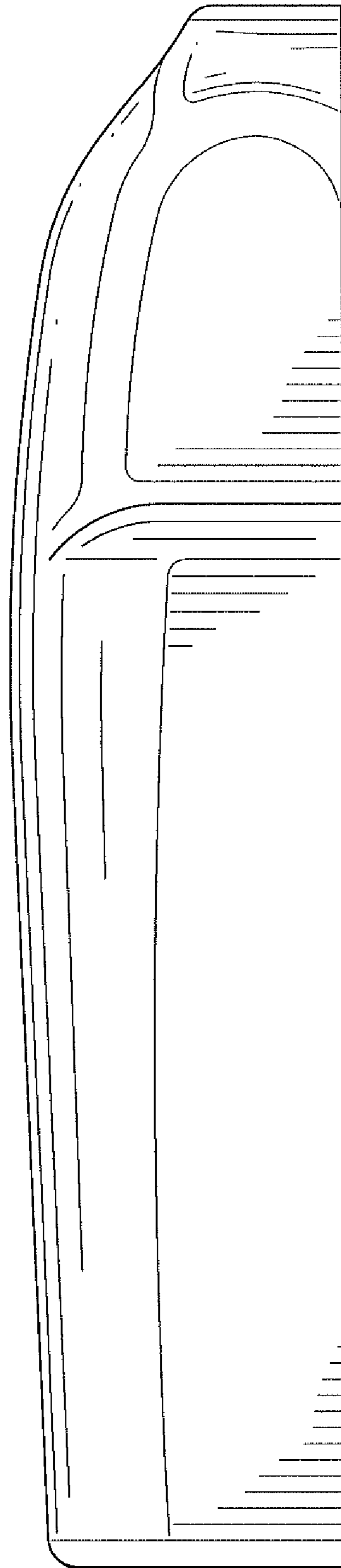


FIG. 3

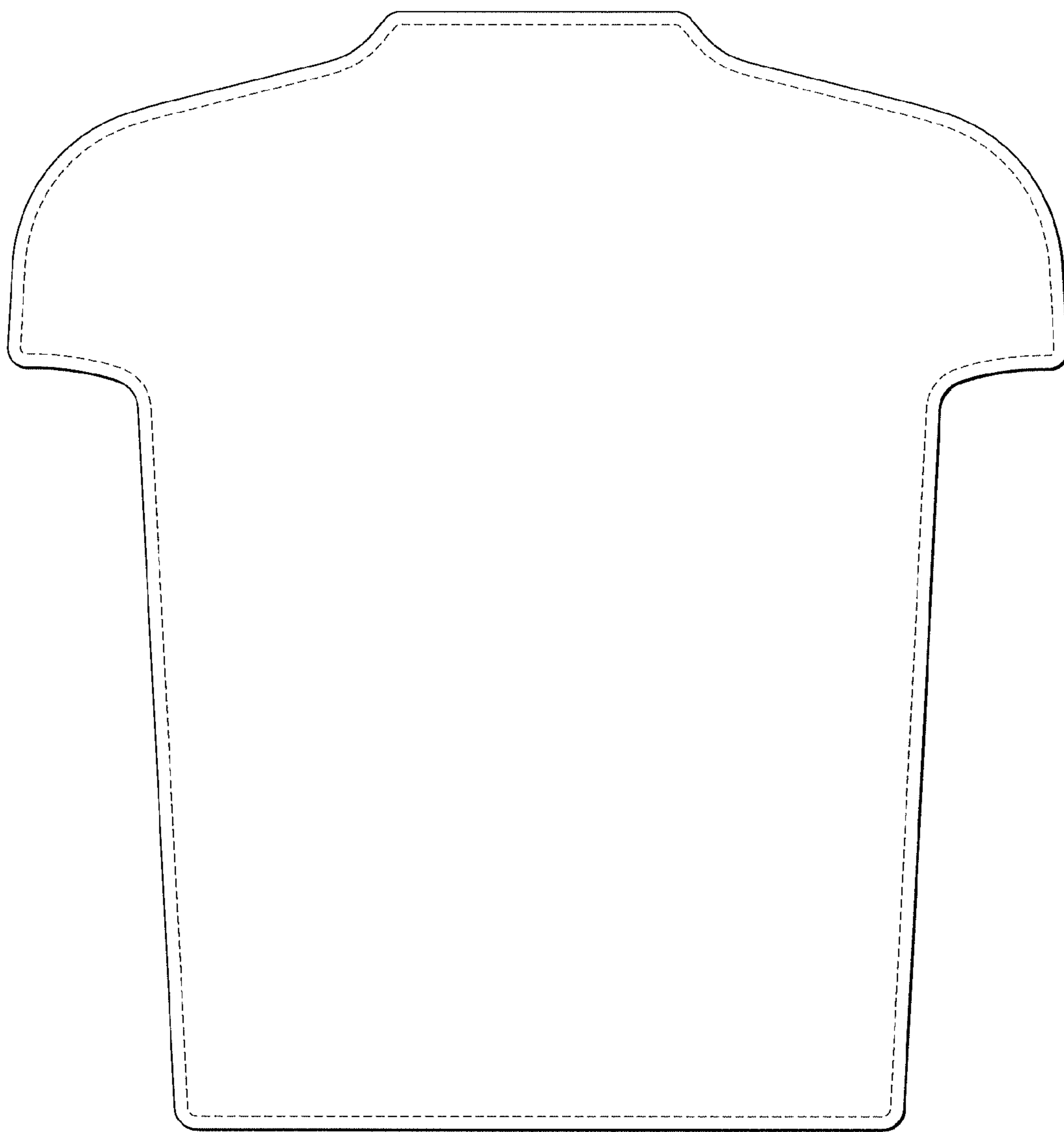


FIG. 4

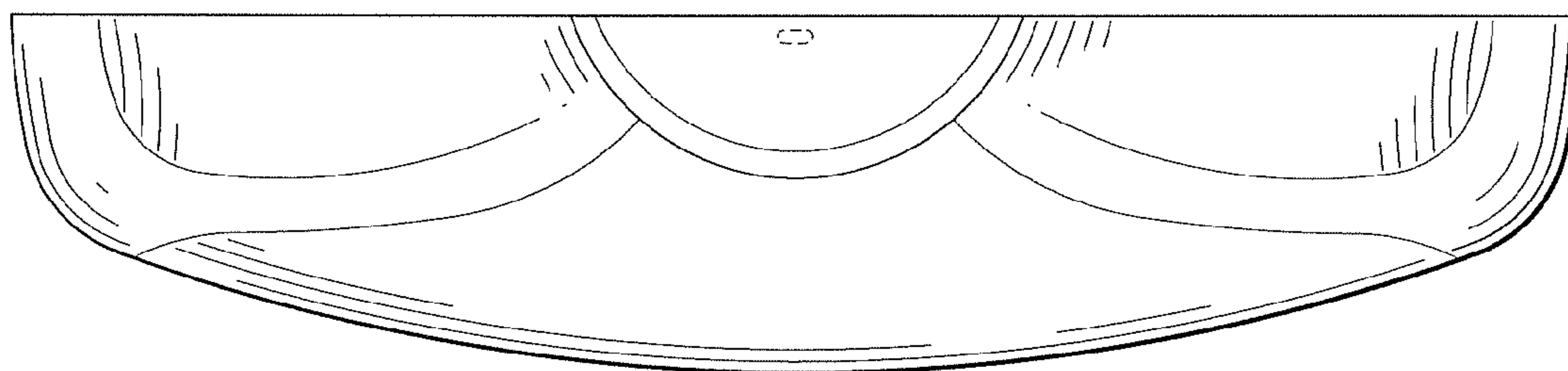


FIG. 5

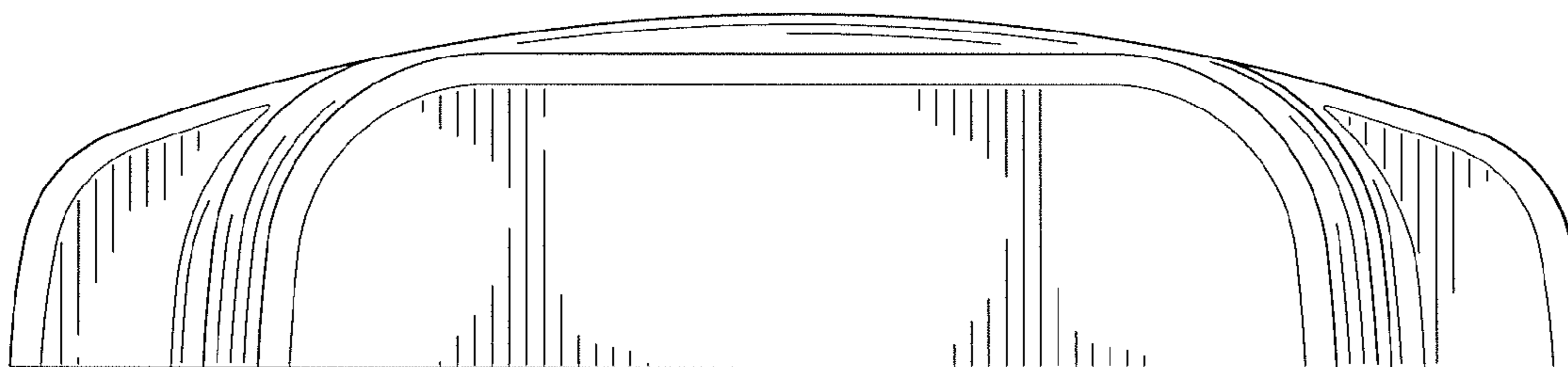


FIG. 6