



US00D591979S

(12) **United States Design Patent**  
**Singler et al.**

(10) **Patent No.:** **US D591,979 S**

(45) **Date of Patent:** **\*\* May 12, 2009**

(54) **DISPLAY STRUCTURE**

(75) Inventors: **Ronald David Singler**, Seattle, WA  
(US); **Christian John Jochman**, Seattle,  
WA (US)

(73) Assignee: **Microsoft Corporation**, Redmond, WA  
(US)

(\*\*) Term: **14 Years**

(21) Appl. No.: **29/320,553**

(22) Filed: **Jun. 27, 2008**

(51) **LOC (9) Cl.** ..... **06-07**

(52) **U.S. Cl.** ..... **D6/449**

(58) **Field of Classification Search** ..... D6/474,  
D6/397, 505, 384, 426, 436, 396, 402, 481;  
312/204, 237, 140.4, 140.2, 140.1, 239, 278;  
108/50.01

See application file for complete search history.

(56) **References Cited**

**U.S. PATENT DOCUMENTS**

D205,976 S	*	10/1966	Emhoff	.....	D6/474
D282,986 S	*	3/1986	Keller	.....	D6/397
D375,211 S	*	11/1996	Mizzi	.....	D6/397
D384,846 S	*	10/1997	Zaidman et al.	.....	D6/505
D403,878 S	*	1/1999	Zaidman	.....	D6/384
D405,625 S	*	2/1999	Zaidman et al.	.....	D6/426

D444,959 S	*	7/2001	Trazzi	.....	D6/436
D458,048 S	*	6/2002	Camfferman et al.	.....	D6/436
D487,853 S	*	3/2004	Woods	.....	D6/436
D518,974 S	*	4/2006	Kelley et al.	.....	D6/397
D553,878 S	*	10/2007	Edison et al.	.....	D6/436
D576,421 S	*	9/2008	Grabowski et al.	.....	D6/426
D577,509 S	*	9/2008	Grabowski et al.	.....	D6/426
D584,902 S	*	1/2009	Neff et al.	.....	D6/396

\* cited by examiner

*Primary Examiner*—Caron Veynar

*Assistant Examiner*—Sydney R Buffalow

(74) *Attorney, Agent, or Firm*—Banner & Witcoff, Ltd.

(57) **CLAIM**

The ornamental design for a display structure, as shown and described.

**DESCRIPTION**

FIG. 1 is a front perspective view of the display structure showing the new design;

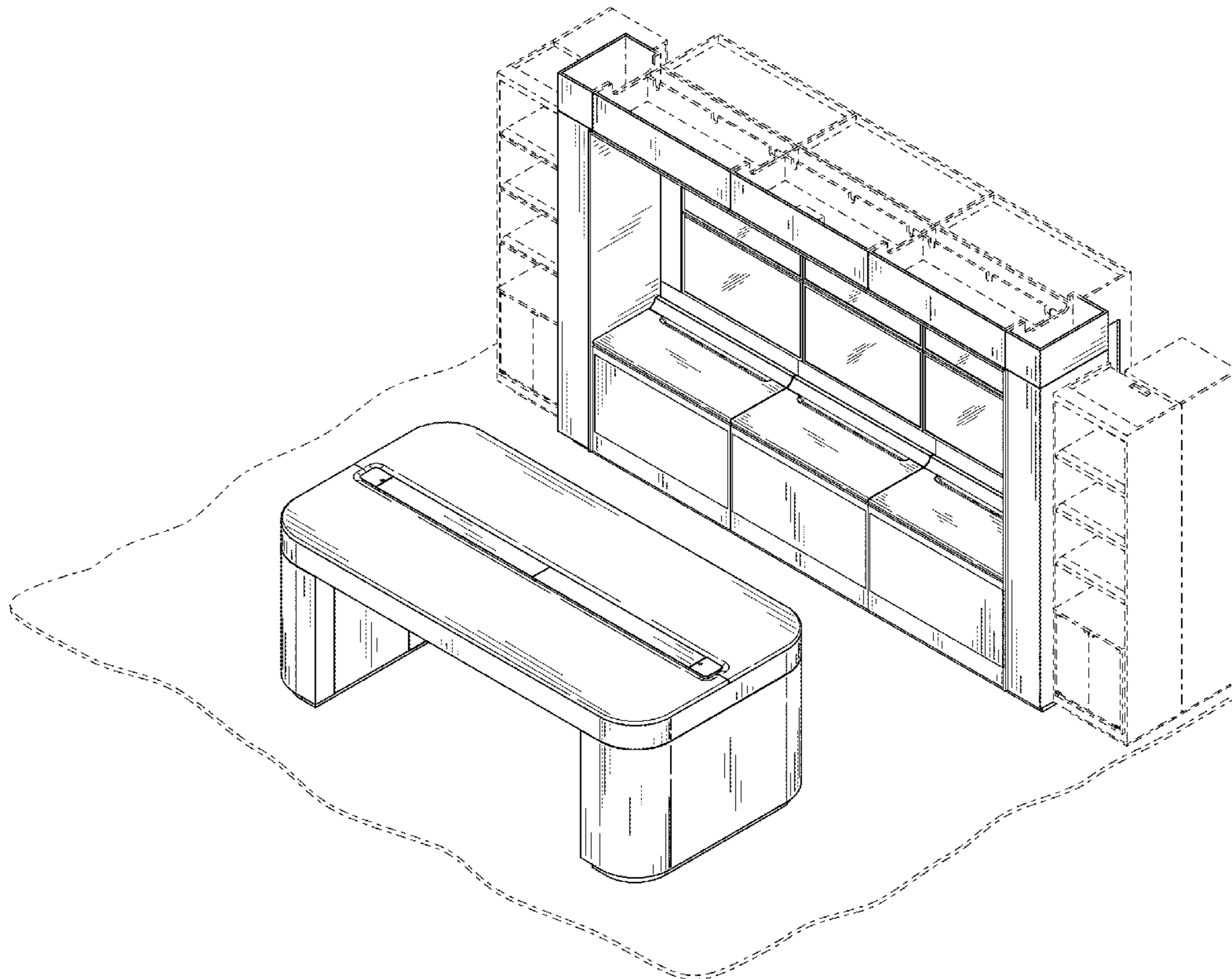
FIG. 2 is a front view thereof;

FIG. 3 is a right side view thereof; and,

FIG. 4 is a left side view thereof.

The broken line showing of various regions and the unshaded areas there within are for illustrative purposes only and forms no part of the claimed design.

**1 Claim, 3 Drawing Sheets**



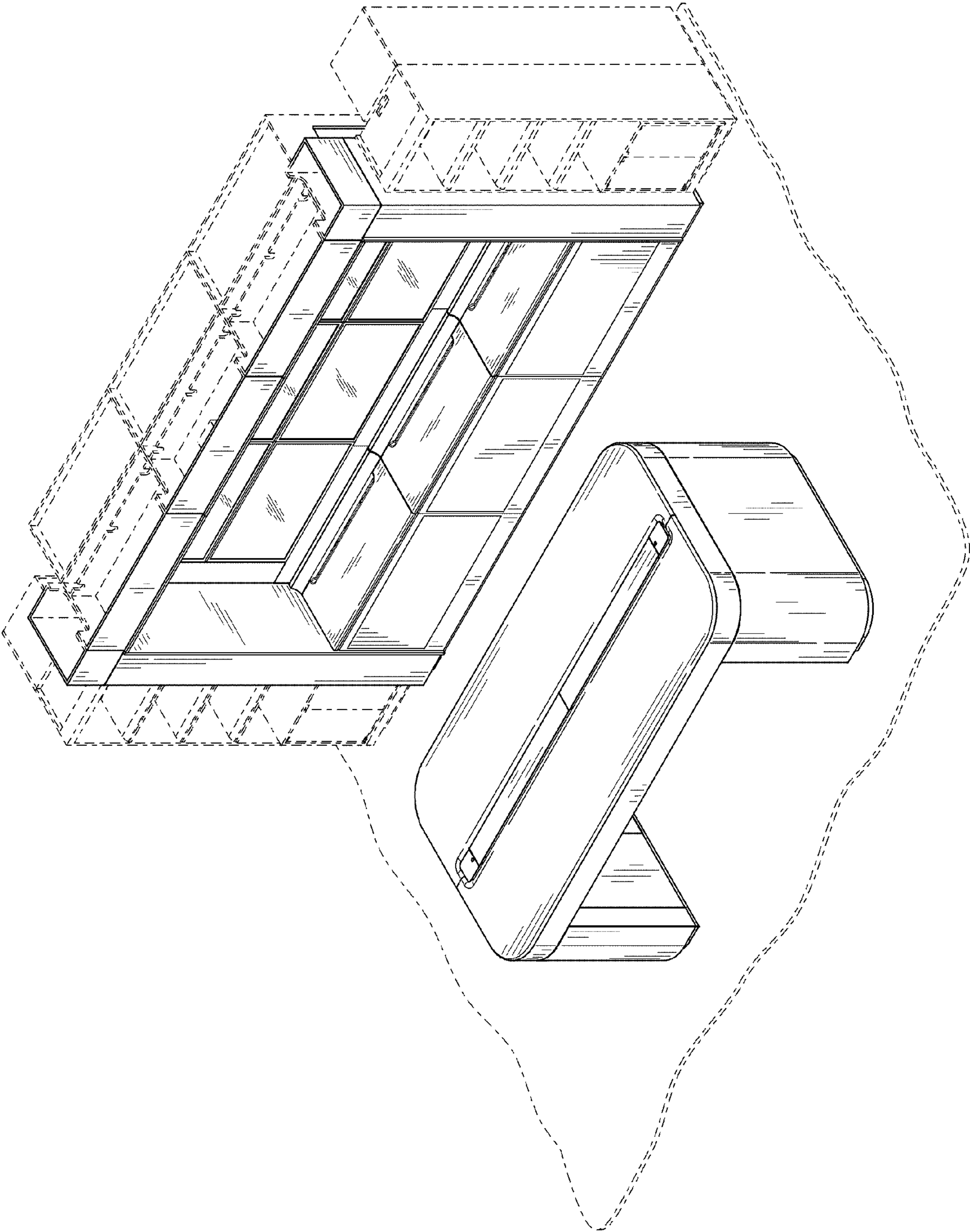


FIG. 1

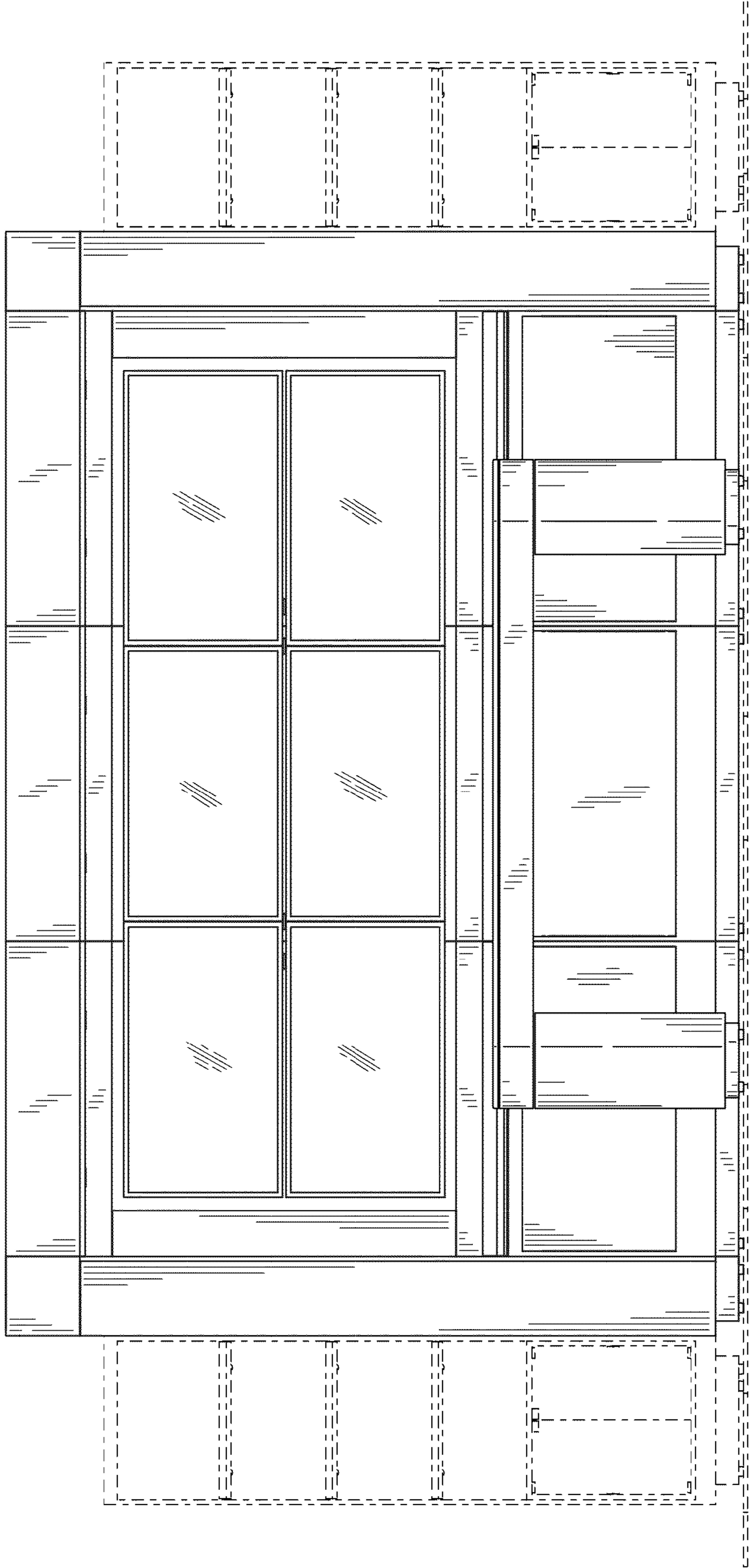


FIG. 2

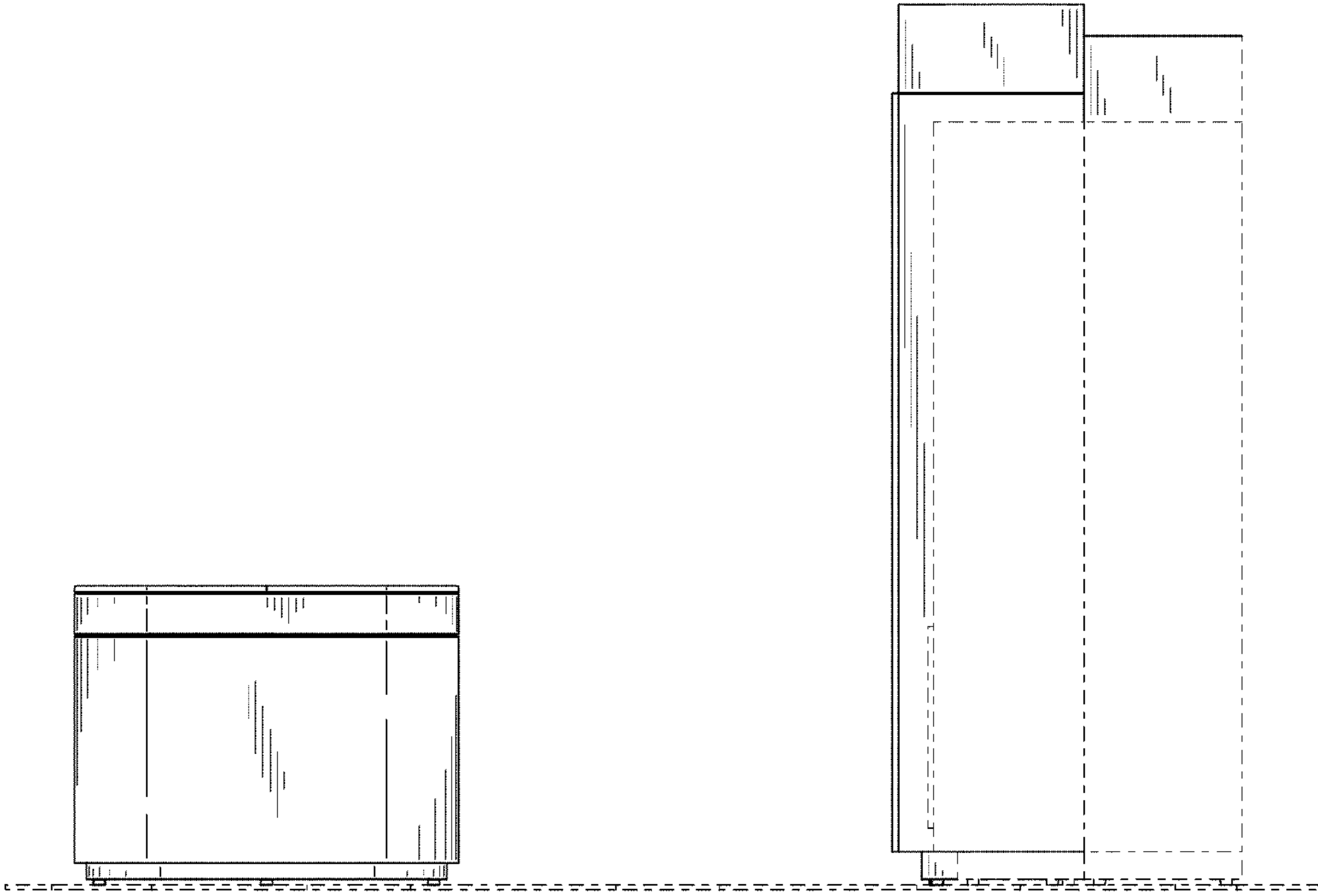


FIG. 3

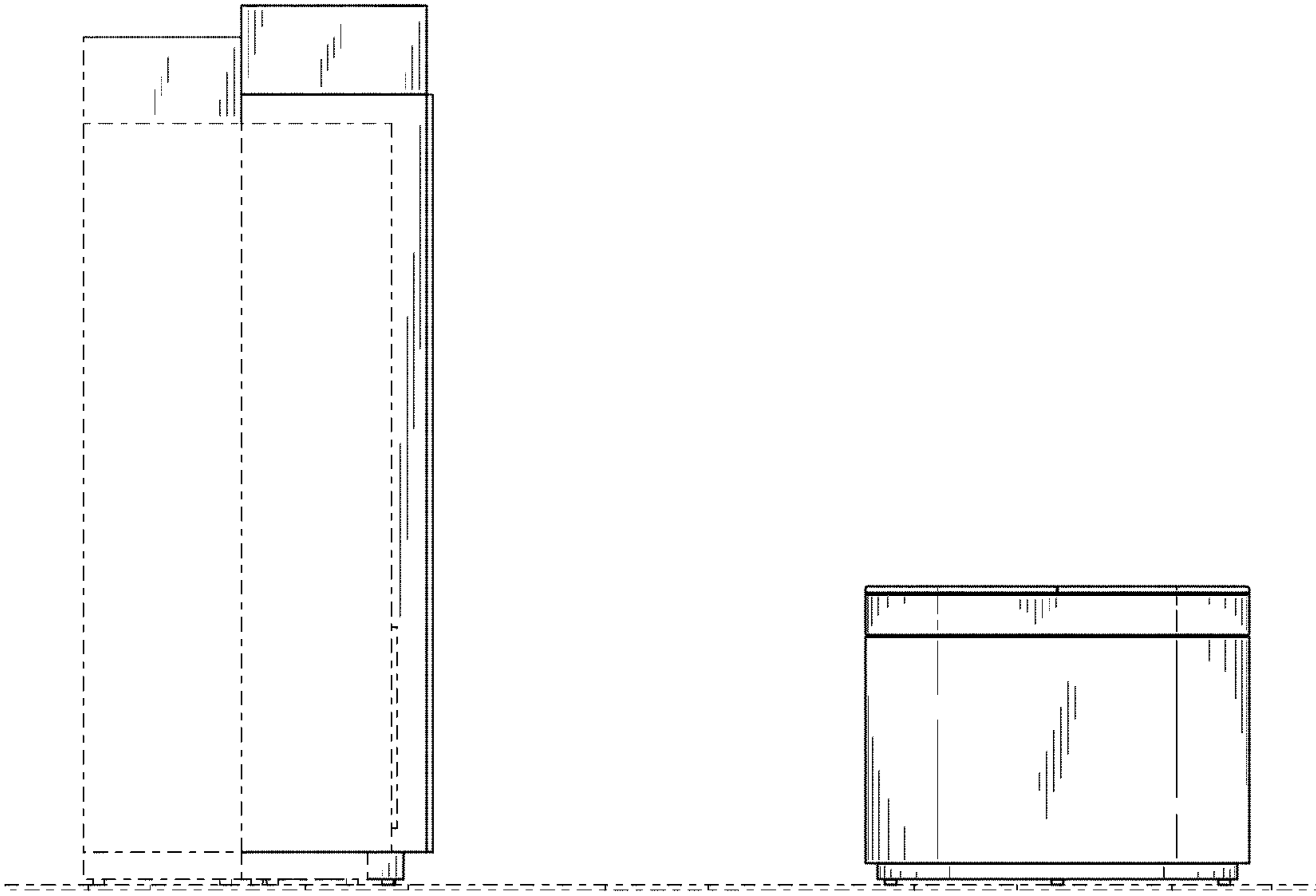


FIG. 4