



US00D591978S

(12) **United States Design Patent**
Singler et al.

(10) **Patent No.:** **US D591,978 S**

(45) **Date of Patent:** **** May 12, 2009**

(54) **DISPLAY STRUCTURE**

(75) Inventors: **Ronald David Singler**, Seattle, WA
(US); **Christian John Jochman**, Seattle,
WA (US)

(73) Assignee: **Microsoft Corporation**, Redmond, WA
(US)

(**) Term: **14 Years**

(21) Appl. No.: **29/320,551**

(22) Filed: **Jun. 27, 2008**

(51) **LOC (9) Cl.** **06-04**

(52) **U.S. Cl.** **D6/449**

(58) **Field of Classification Search** D6/449,
D6/396, 397, 457, 425, 436; D34/17, 28;
108/50.01, 1, 6; 312/196; 211/11

See application file for complete search history.

(56) **References Cited**

U.S. PATENT DOCUMENTS

- D346,251 S * 4/1994 Morooka D34/17
- D434,578 S * 12/2000 Goza D6/425
- D435,361 S * 12/2000 Goza D6/425

- 7,178,469 B2 * 2/2007 Goza 108/50.01
- D581,185 S * 11/2008 Annicelli D6/457
- D585,662 S * 2/2009 Swanson D6/436

* cited by examiner

Primary Examiner—Caron Veynar

Assistant Examiner—Sydney R Buffalow

(74) *Attorney, Agent, or Firm*—Banner & Witcoff, Ltd.

(57) **CLAIM**

The ornamental design for a display structure, as shown and described.

DESCRIPTION

FIG. 1 is a front perspective view of the display structure showing the new design;

FIG. 2 is a front view thereof;

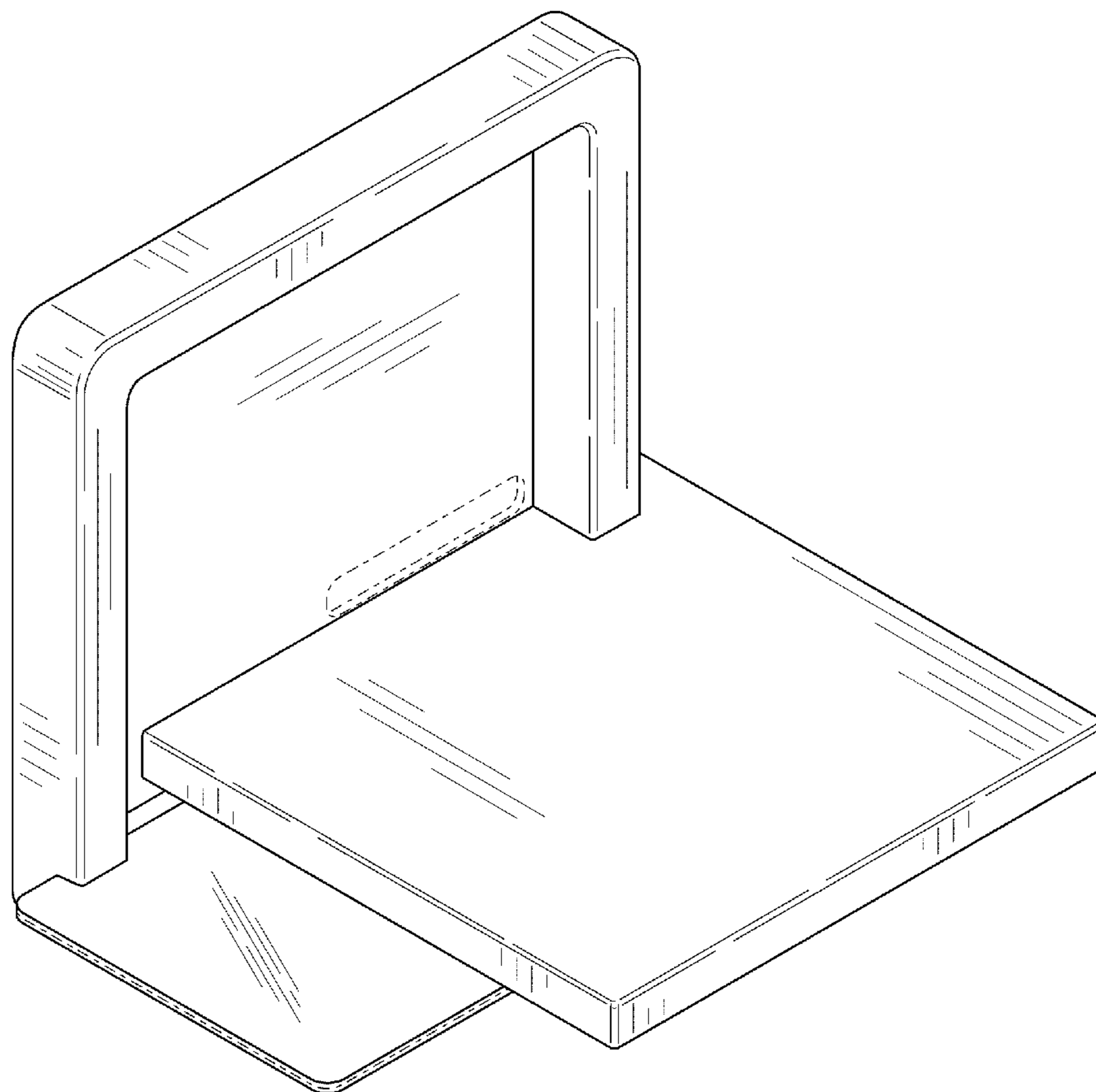
FIG. 3 is a right side view thereof;

FIG. 4 is a left side view thereof; and,

FIG. 5 is a top view thereof.

The broken line showing of various regions and the unshaded areas there within are for illustrative purposes only and forms no part of the claimed design.

1 Claim, 5 Drawing Sheets



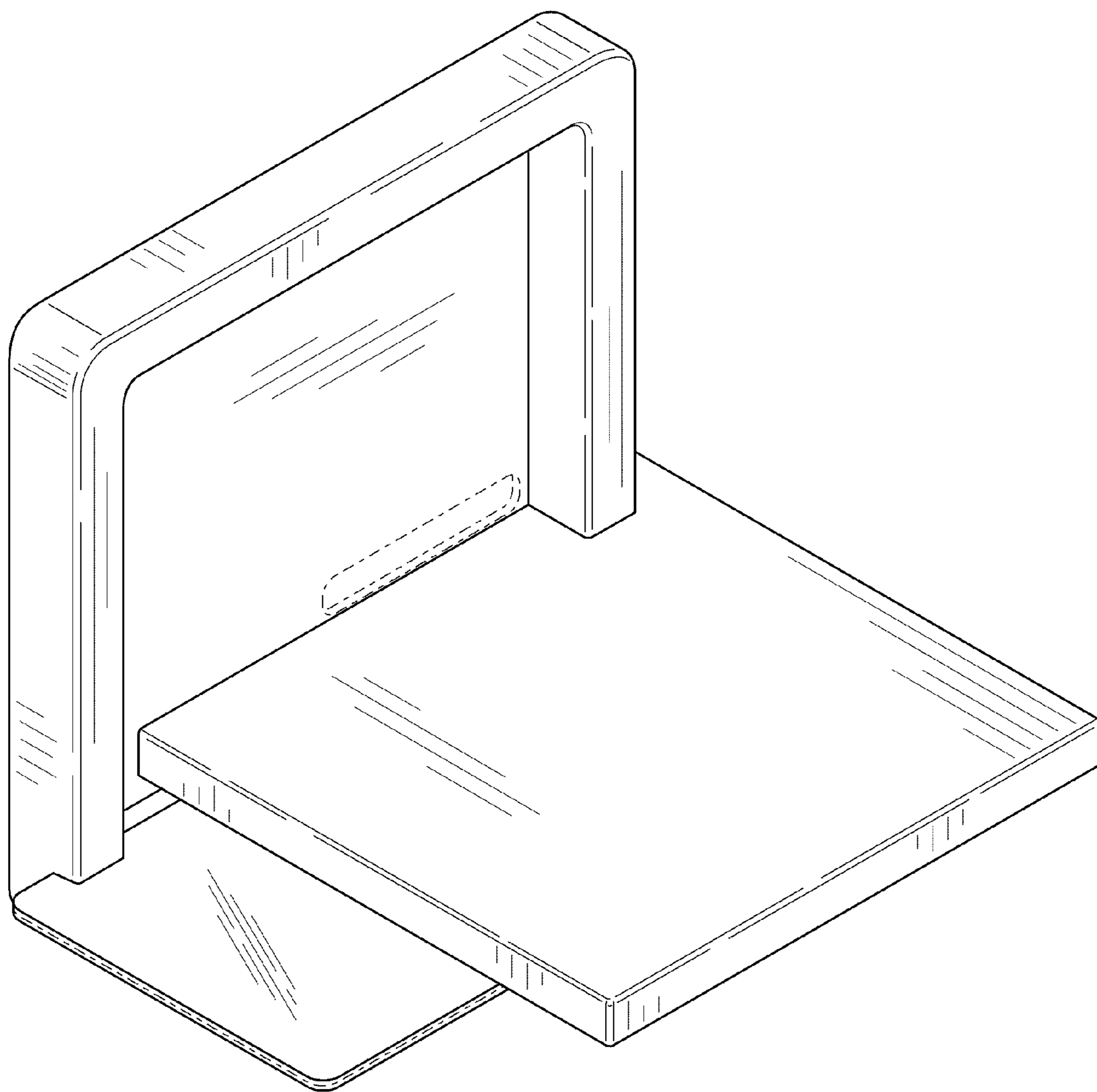


FIG. 1

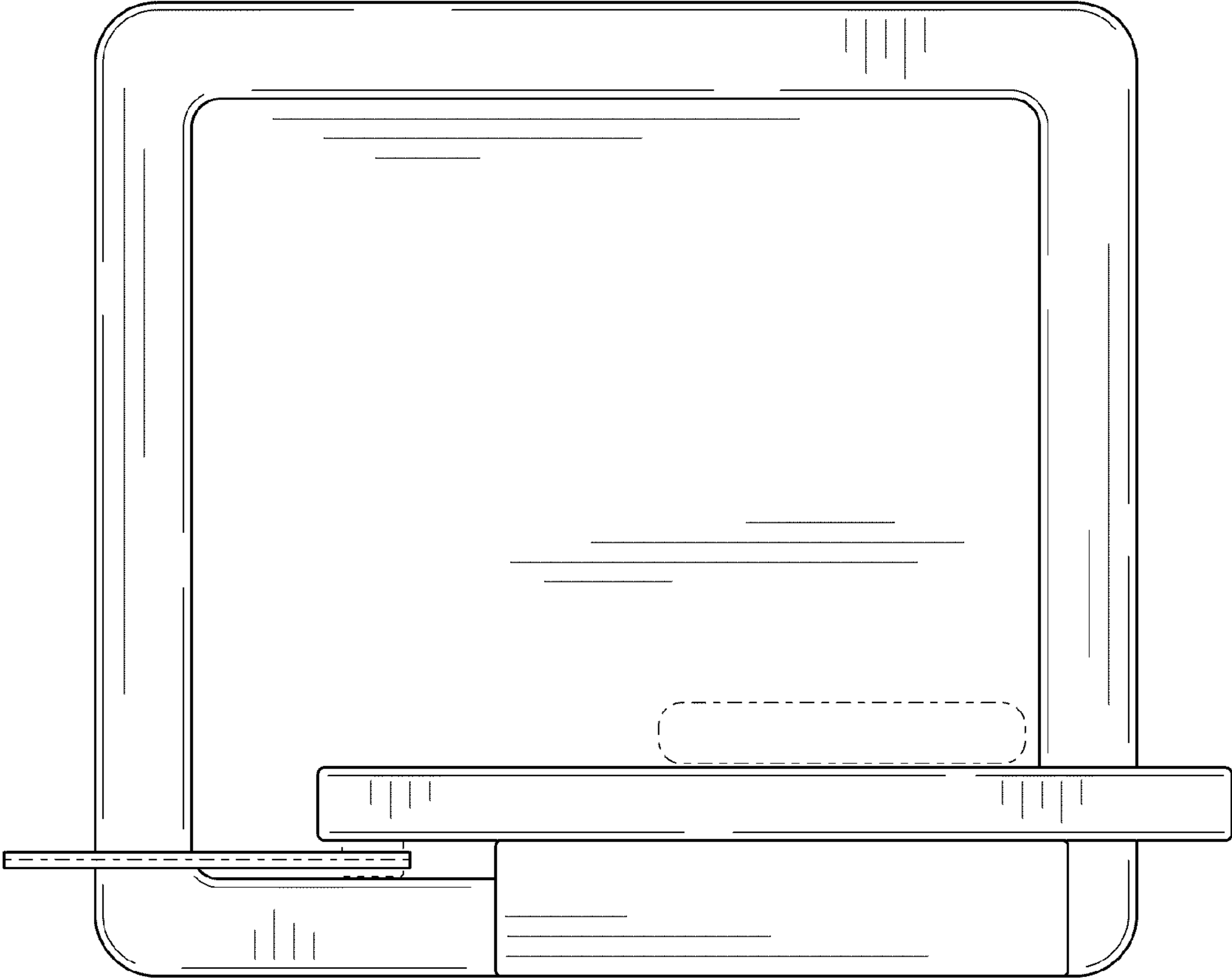


FIG. 2

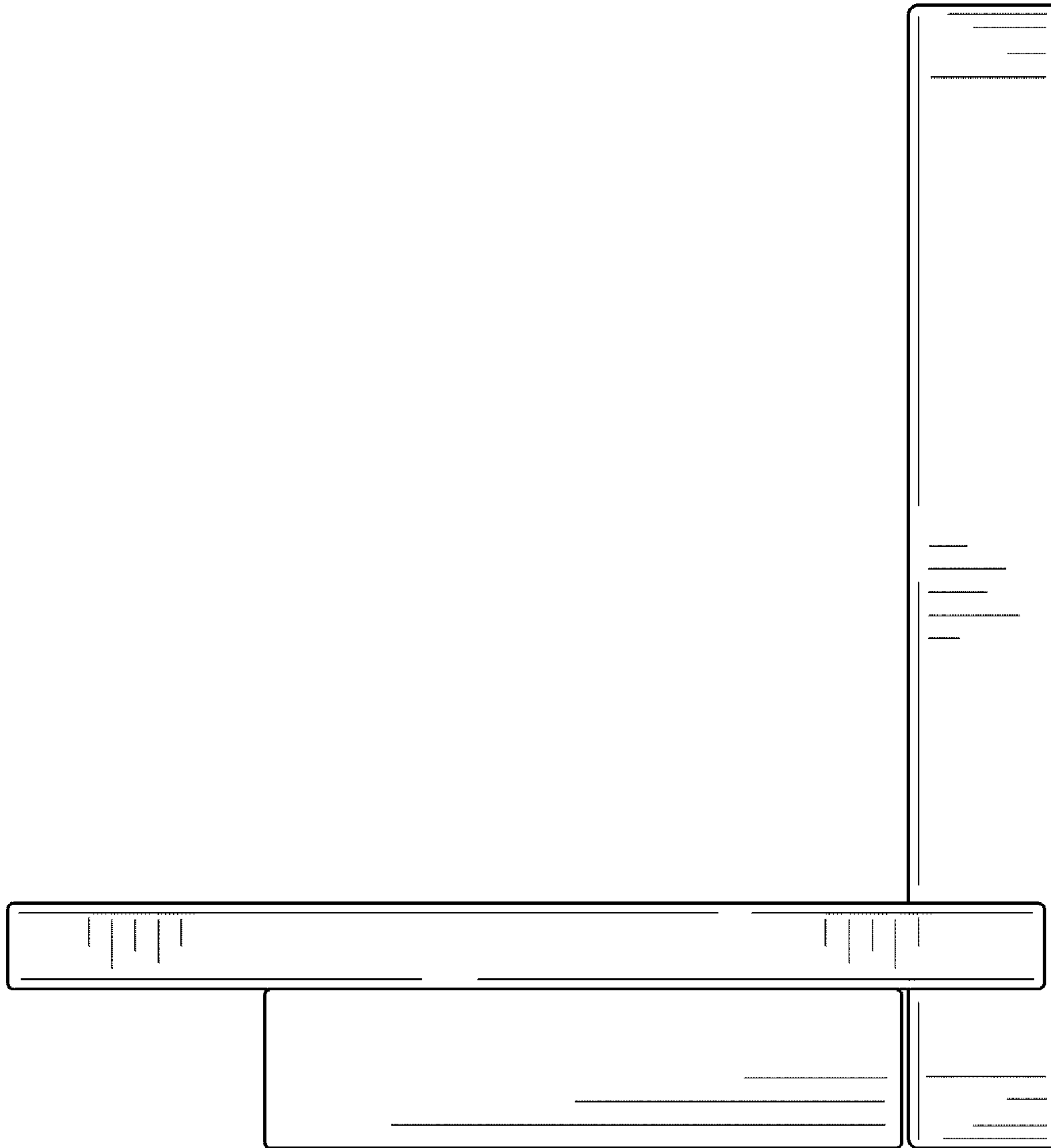


FIG. 3

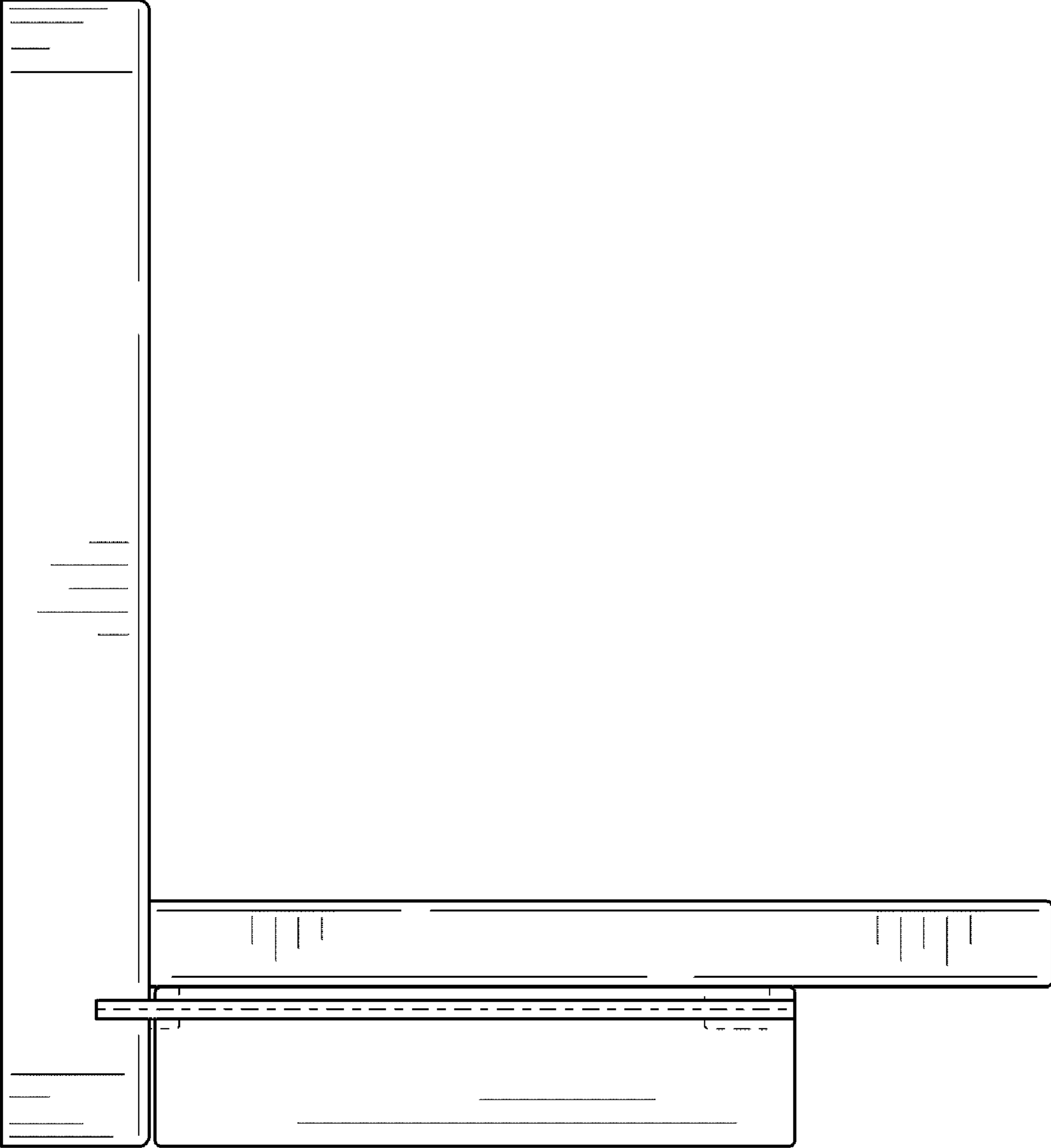


FIG. 4

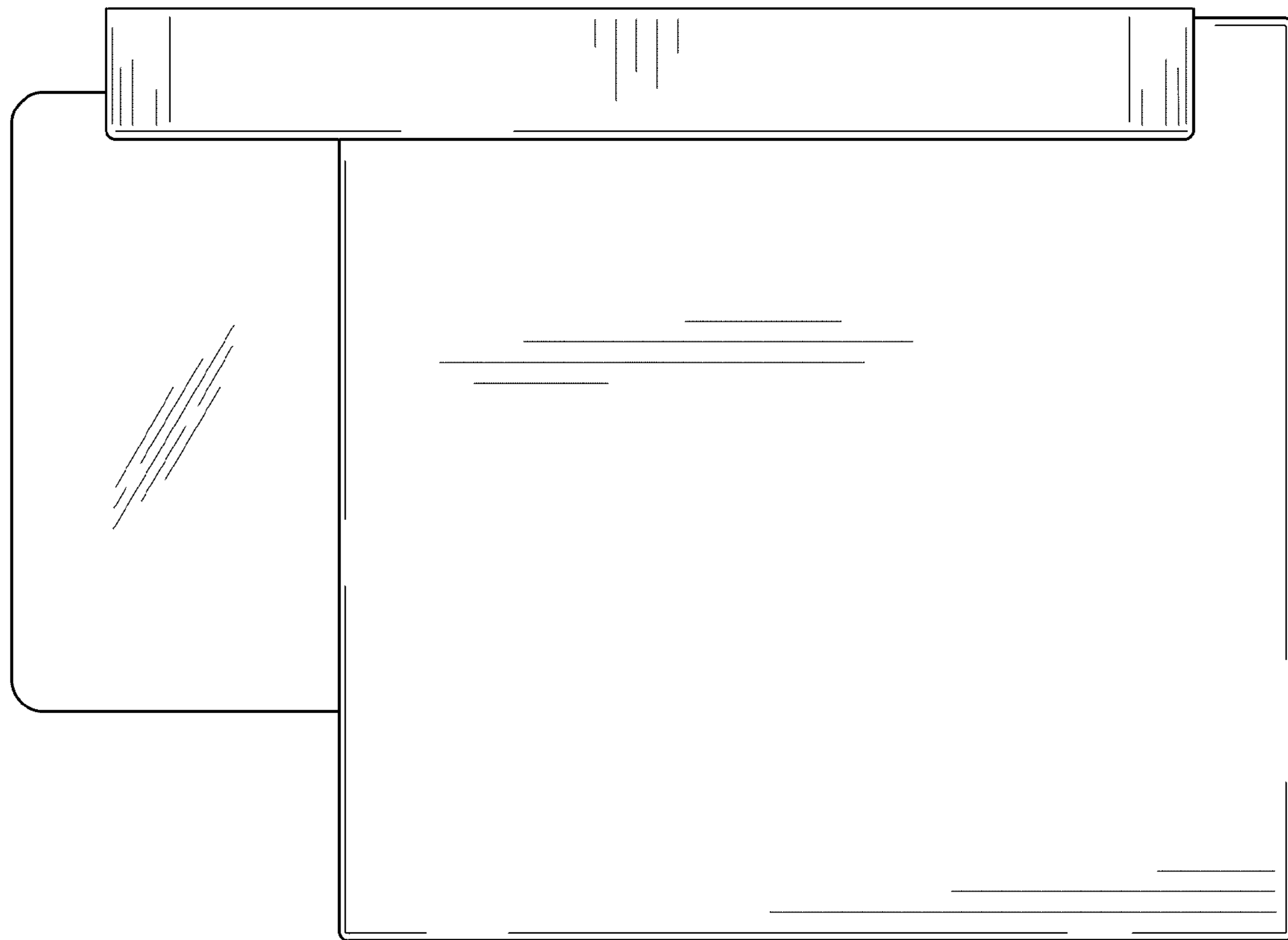


FIG. 5