



US00D591974S

(12) **United States Design Patent**
Singler et al.

(10) **Patent No.:** **US D591,974 S**

(45) **Date of Patent:** **** *May 12, 2009**

(54) **DISPLAY STRUCTURE**

(75) Inventors: **Ronald David Singler**, Seattle, WA
(US); **Christian John Jochman**, Seattle,
WA (US)

(73) Assignee: **Microsoft Corporation**, Redmond, WA
(US)

(*) Notice: This patent is subject to a terminal dis-
claimer.

(**) Term: **14 Years**

(21) Appl. No.: **29/320,546**

(22) Filed: **Jun. 27, 2008**

(51) **LOC (9) Cl.** **06-04**

(52) **U.S. Cl.** **D6/432**

(58) **Field of Classification Search** D6/396,
D6/431-450, 470-474, 477-479; D23/271;
D34/14; 211/41.41, 42, 74, 90.01, 133.1;
312/7.2, 9.1, 107-108, 117-118, 204, 224,
312/237, 257.1, 241, 278-279

See application file for complete search history.

(56) **References Cited**

U.S. PATENT DOCUMENTS

D144,844 S * 5/1946 Dunham D6/474
D218,325 S * 8/1970 Sherman D6/431
D250,868 S * 1/1979 Ornattek D6/445
4,417,774 A * 11/1983 Bevan et al. 312/108

D288,997 S * 3/1987 Kraynak D6/474
D300,094 S * 3/1989 Meyers D6/450
D323,944 S * 2/1992 Maas D6/436
D331,100 S * 11/1992 Jacobsen et al. D23/271
5,577,817 A * 11/1996 Reynolds 312/107
6,186,607 B1 * 2/2001 Remby 312/257.1
D501,284 S * 1/2005 Mount D34/14
D567,535 S * 4/2008 Hentschker D6/436
D579,229 S * 10/2008 De La Serve et al. D6/396

* cited by examiner

Primary Examiner—Caron Veynar

Assistant Examiner—Ricky Pham

(74) *Attorney, Agent, or Firm*—Banner & Witcoff, Ltd.

(57) **CLAIM**

The ornamental design for a display structure, as shown and
described.

DESCRIPTION

FIG. 1 is a front perspective view of the display structure
showing the new design;

FIG. 2 is a front view thereof;

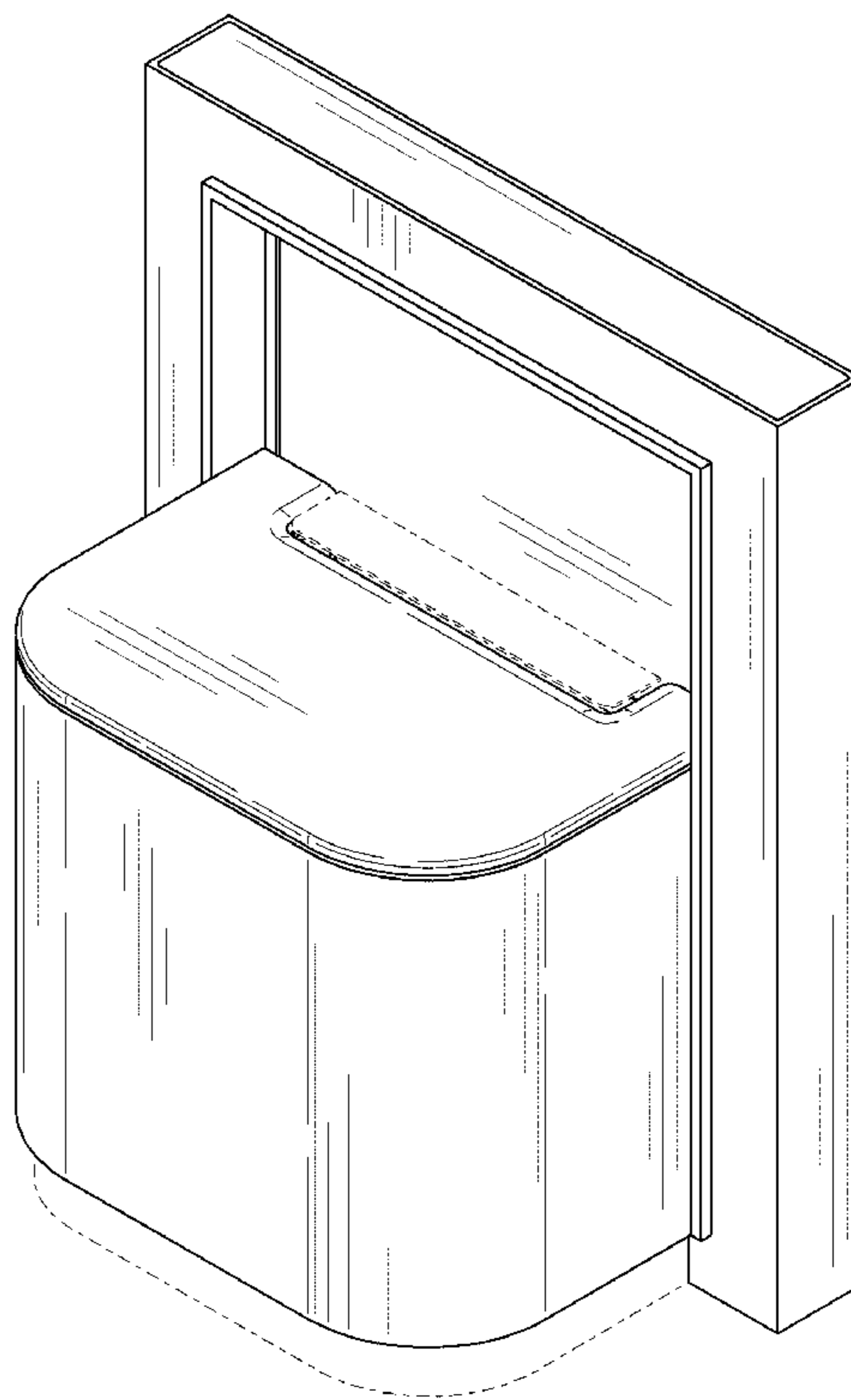
FIG. 3 is a right side view thereof;

FIG. 4 is a left side view thereof; and,

FIG. 5 is a top view thereof.

The broken line showing of various regions and the unshaded
areas there within are for illustrative purposes only and forms
no part of the claimed design.

1 Claim, 4 Drawing Sheets



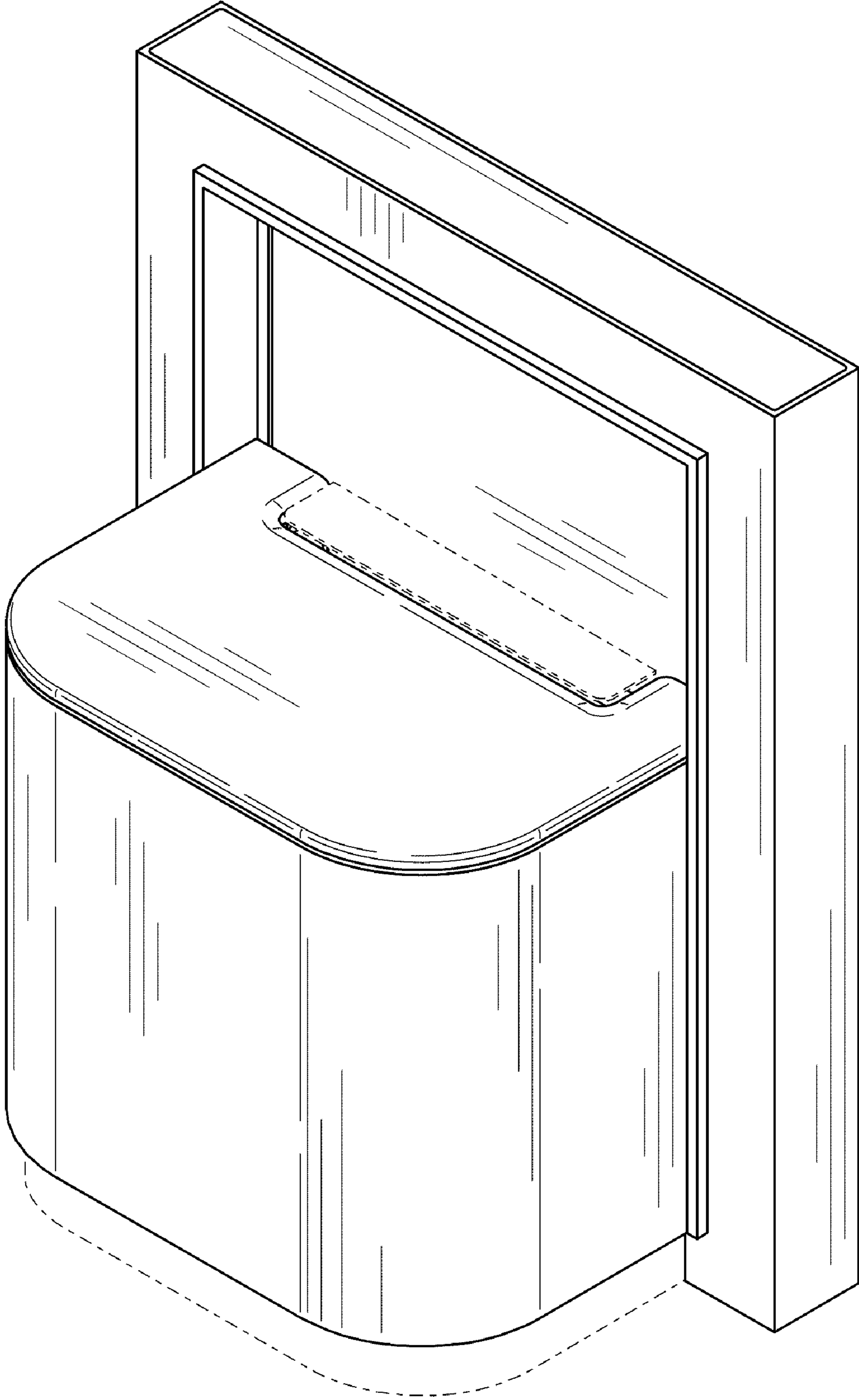


FIG. 1

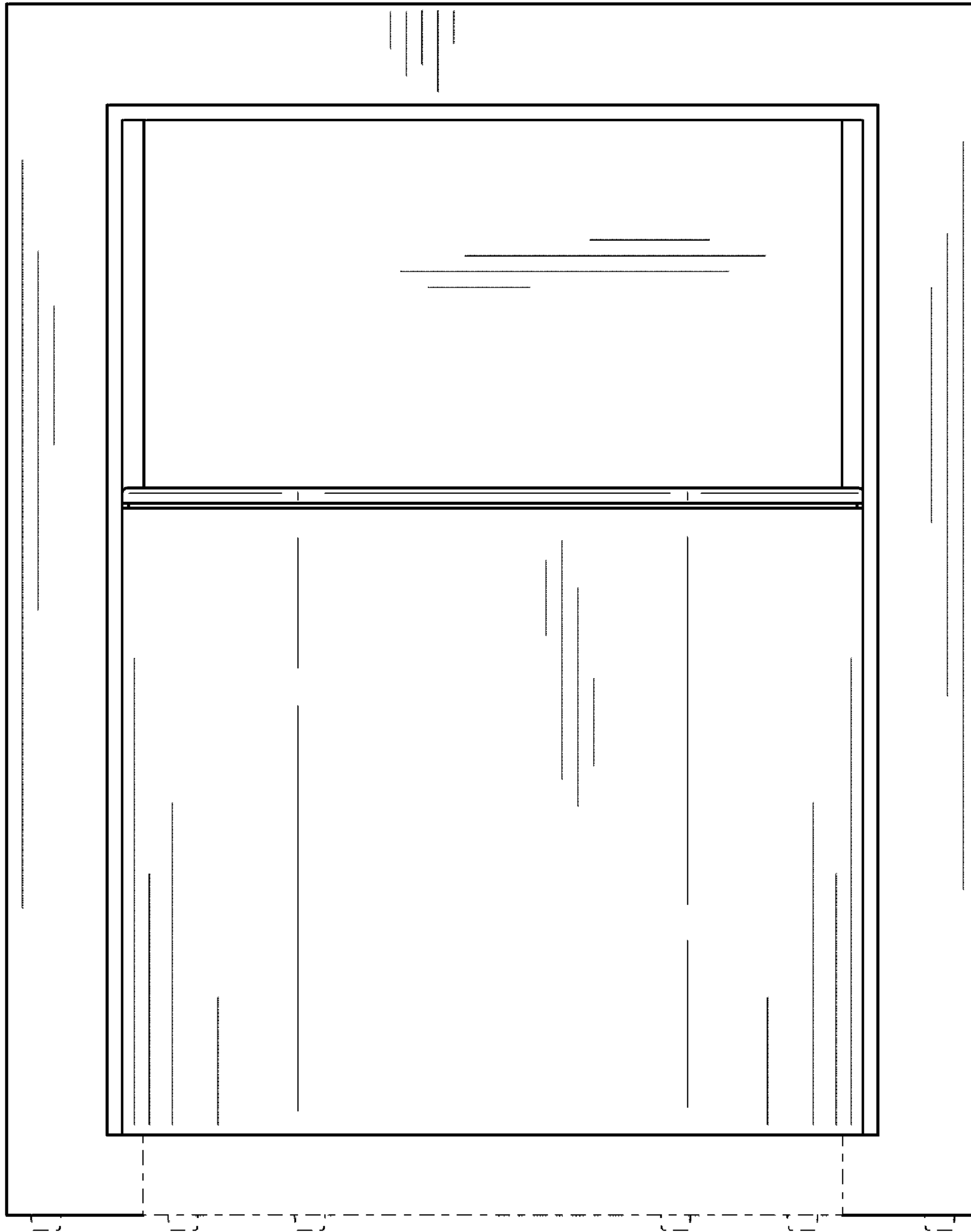


FIG. 2

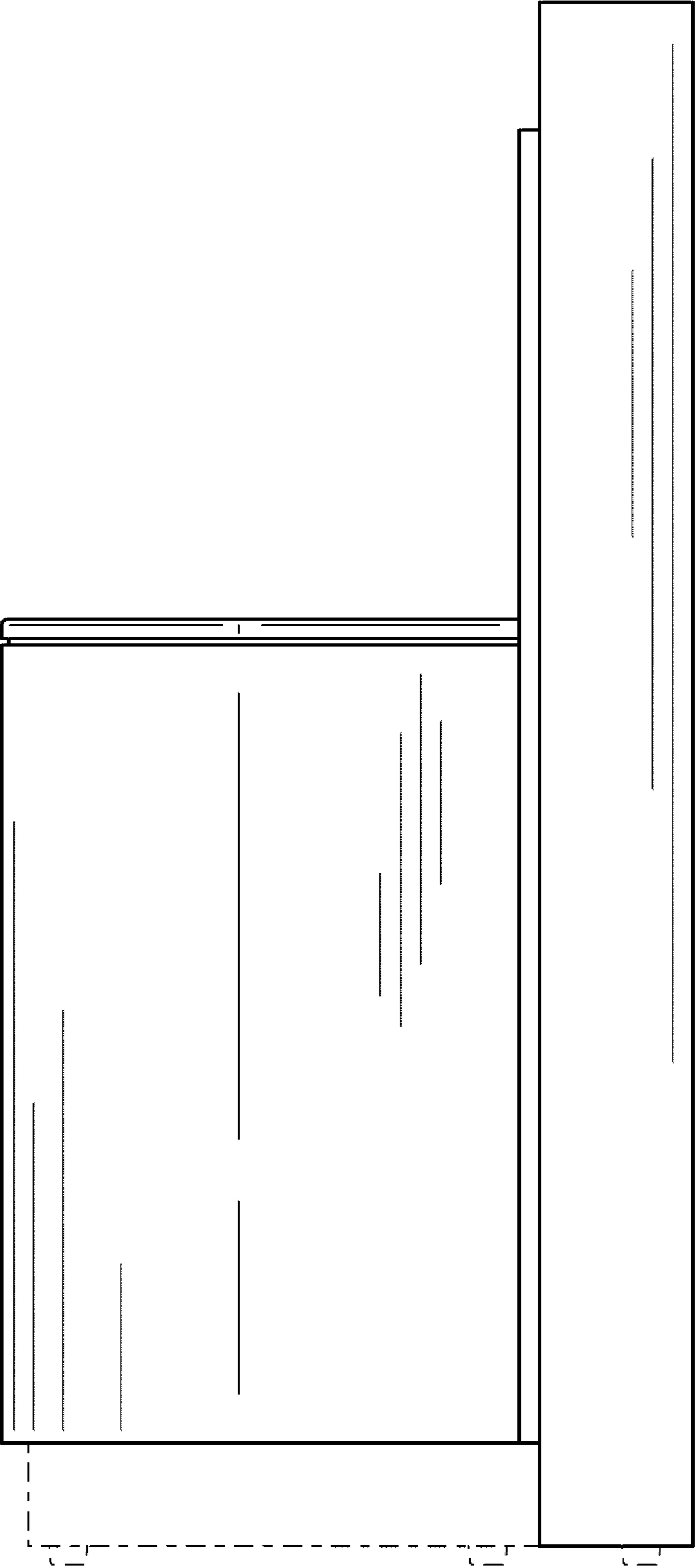


FIG. 3

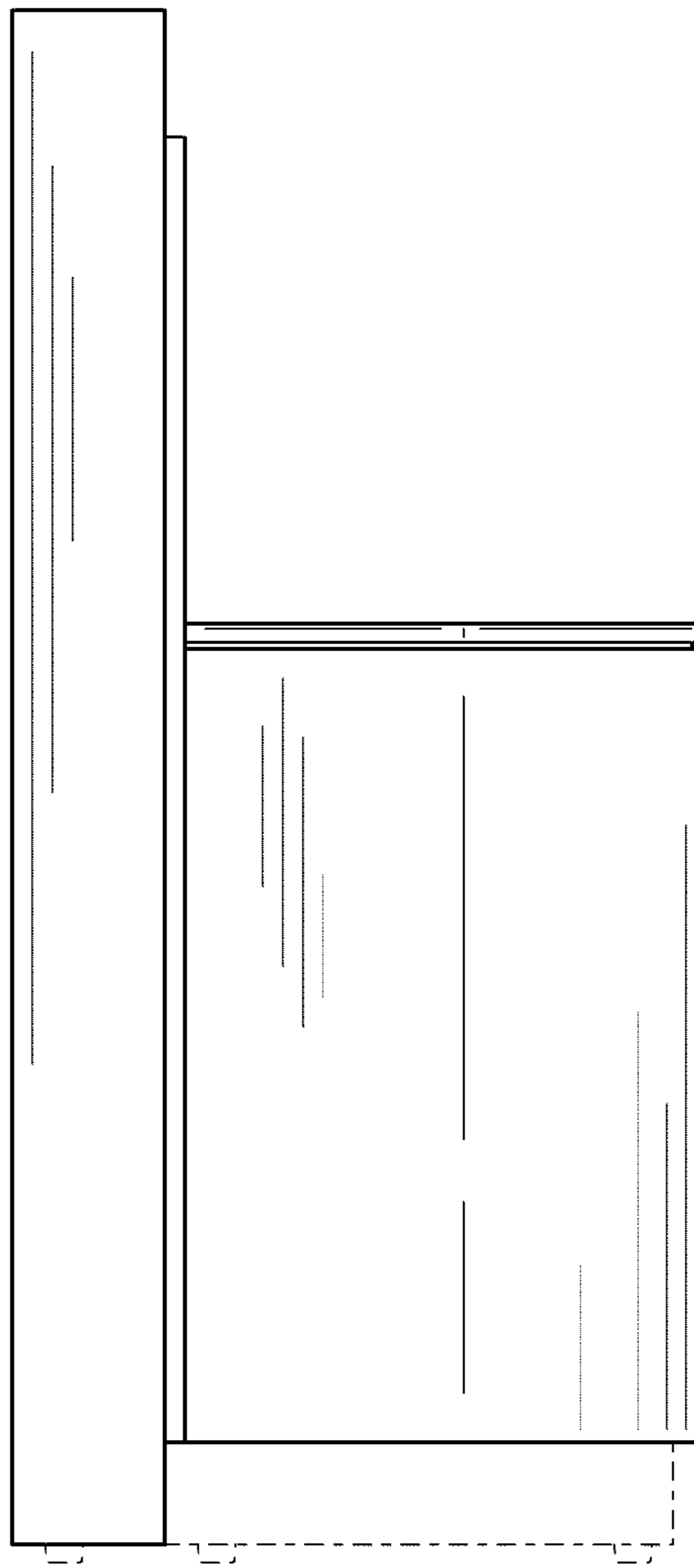


FIG. 4

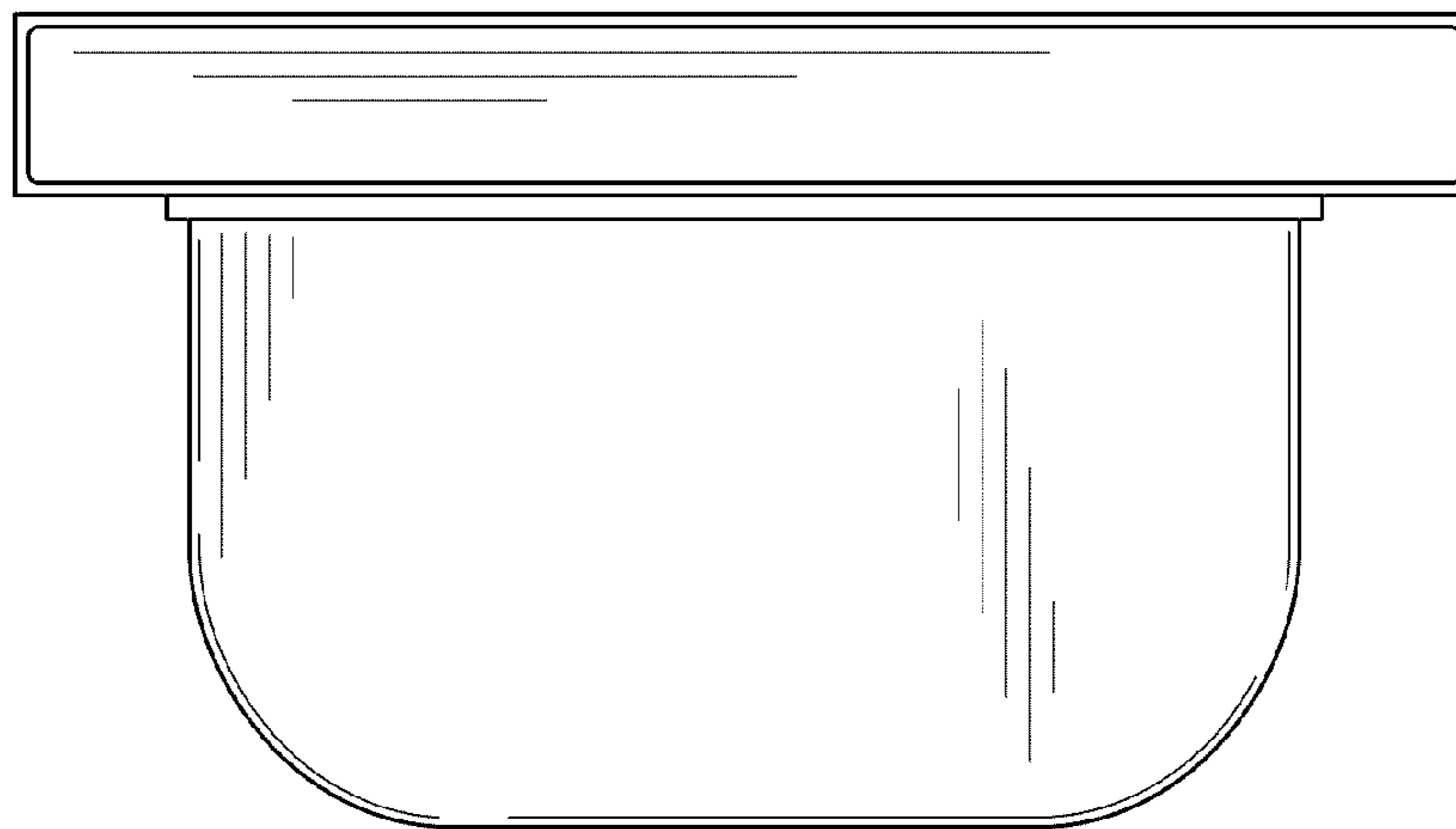


FIG. 5