



US00D591972S

(12) **United States Design Patent**
Collette

(10) **Patent No.:** **US D591,972 S**

(45) **Date of Patent:** **** May 12, 2009**

(54) **BED FRAME**

(75) Inventor: **Frederic Collette**, Frederiksberg C (DK)

(73) Assignee: **Frederic Collette APS**, Frederiksberg C. (DK)

(**) Term: **14 Years**

(21) Appl. No.: **29/295,544**

(22) Filed: **Oct. 1, 2007**

(30) **Foreign Application Priority Data**

Mar. 29, 2007 (EM) 000698535-0003

(51) **LOC (9) Cl.** **06-02**

(52) **U.S. Cl.** **D6/390**

(58) **Field of Classification Search** D6/390,
D6/391, 333, 385, 503, 505-508; 5/93.1,
5/93.2, 98.2, 99.1, 101, 105

See application file for complete search history.

(56) **References Cited**

U.S. PATENT DOCUMENTS

- 2,287,907 A * 6/1942 Schettler, Jr. 5/98.1
- D155,171 S * 9/1949 Levy D6/338
- D300,697 S * 4/1989 Wallace et al. D6/391

D534,367 S * 1/2007 Peltonen D6/390

* cited by examiner

Primary Examiner—Janice E Seeger

(74) *Attorney, Agent, or Firm*—Klein, O’Neil & Singh, LLP

(57) **CLAIM**

The ornamental design for a bed frame, as shown and described.

DESCRIPTION

FIG. 1 is a rear elevational view of a bed frame, in accordance with my new design;

FIG. 2 is a bottom plan view of the bed frame of FIG. 1;

FIG. 3 is a front elevational view of the bed frame of FIG. 1;

FIG. 4 is a left side elevational view of the bed frame of FIG. 1;

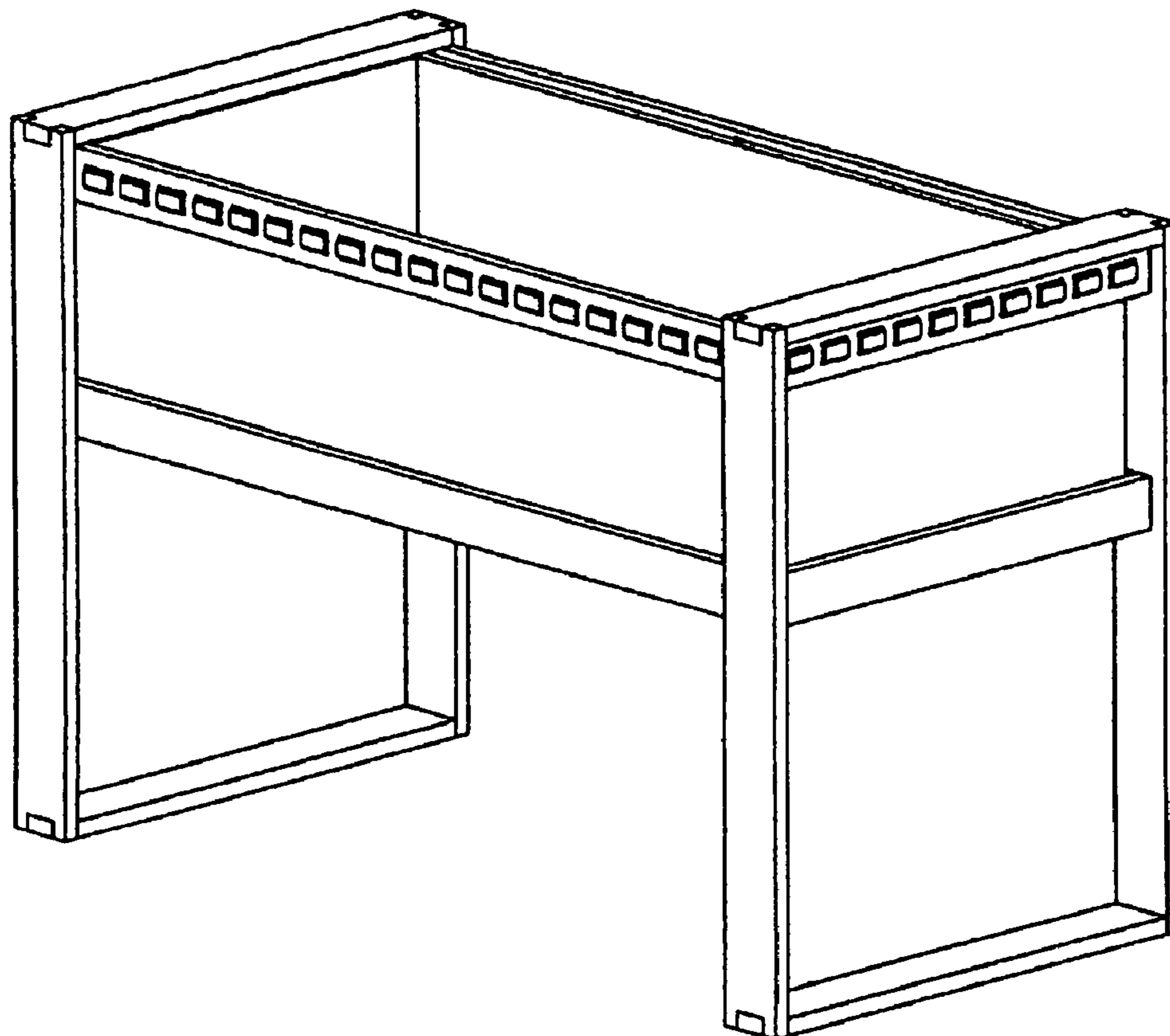
FIG. 5 is a perspective view of the bed frame of FIG. 1;

FIG. 6 is a right side elevational view of the bed frame of FIG. 1; and,

FIG. 7 is a top plan view of the bed frame of FIG. 1.

The broken lines are for environmental purposes only and form no part of the claimed design.

1 Claim, 7 Drawing Sheets



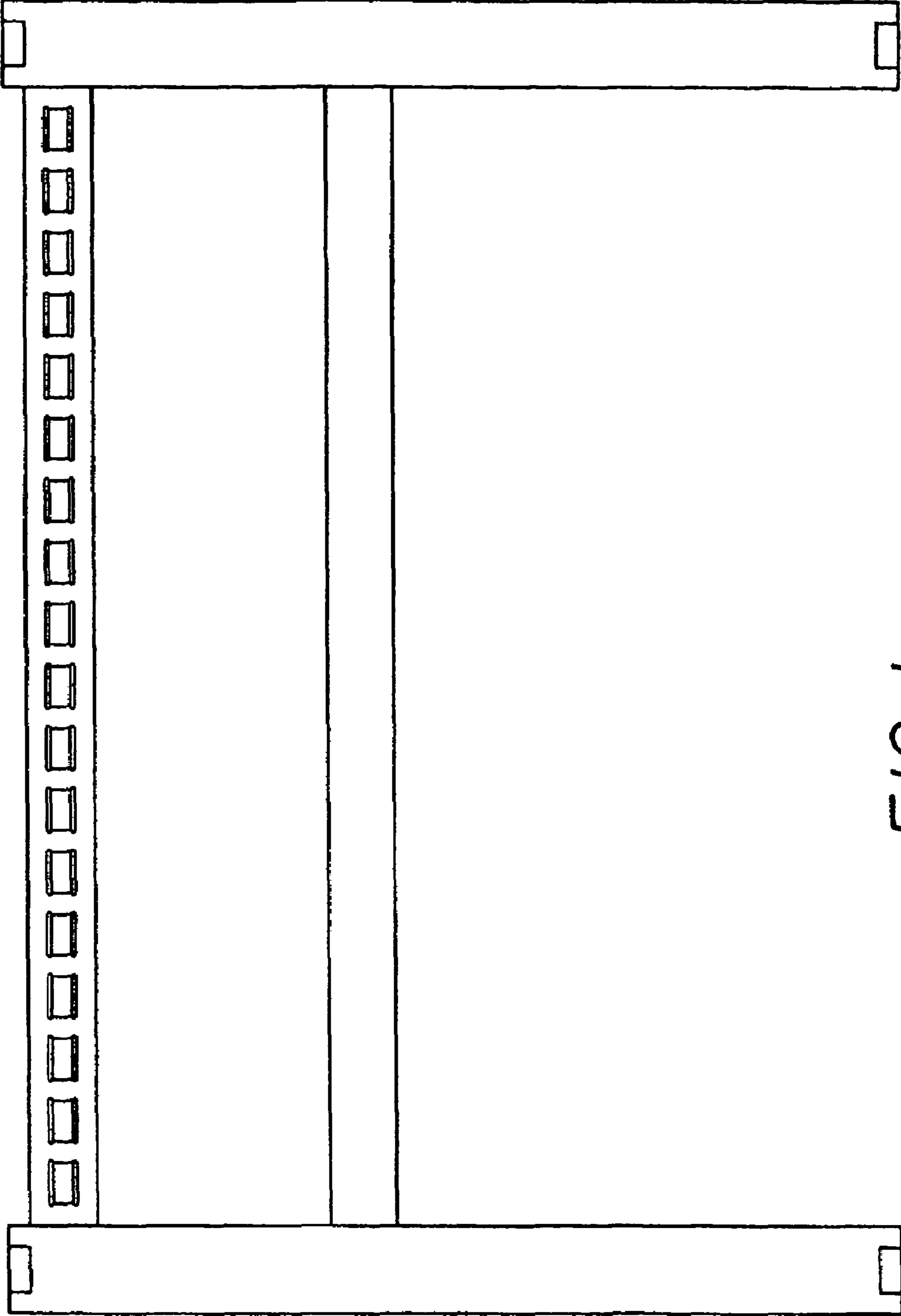


FIG. 1

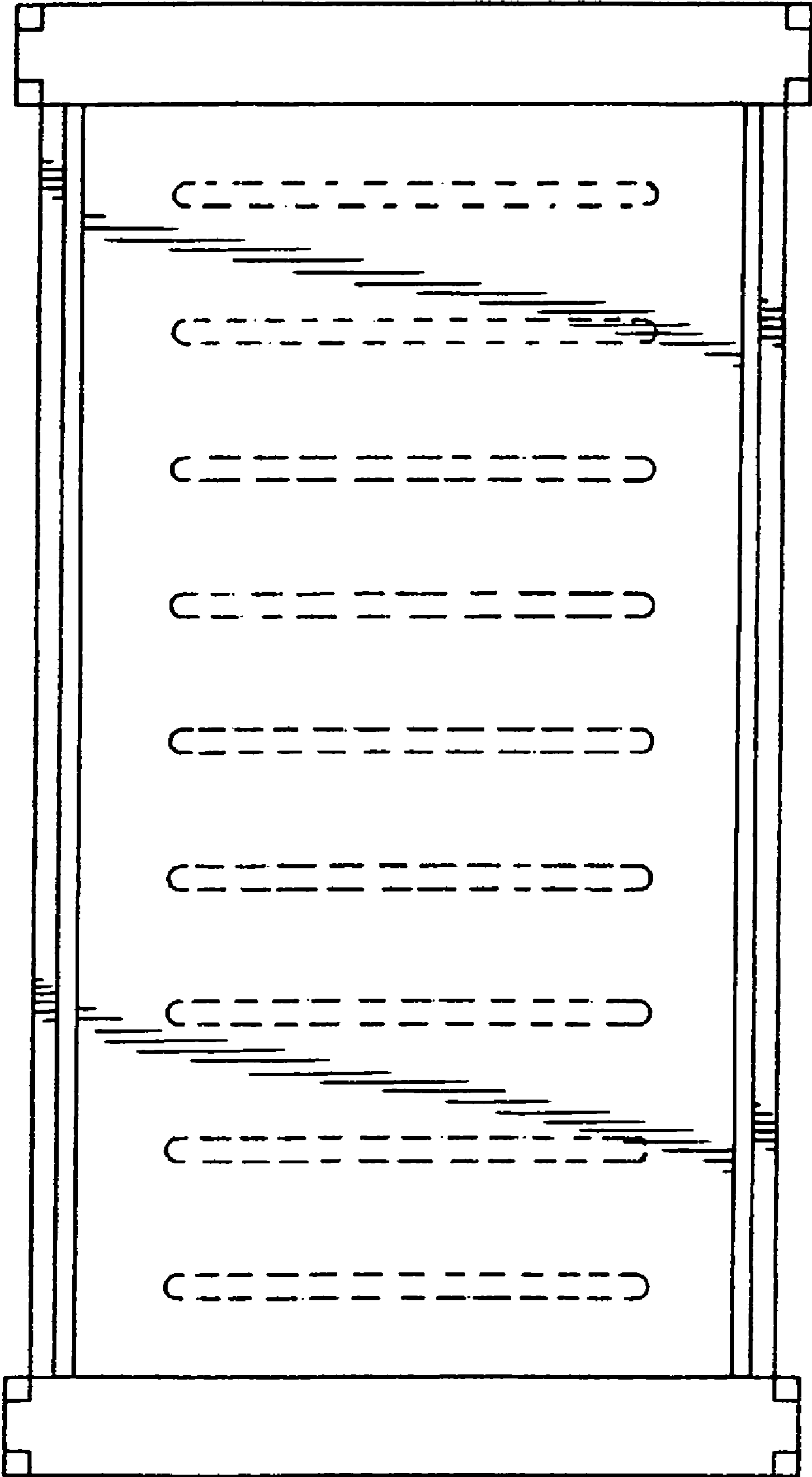


FIG. 2

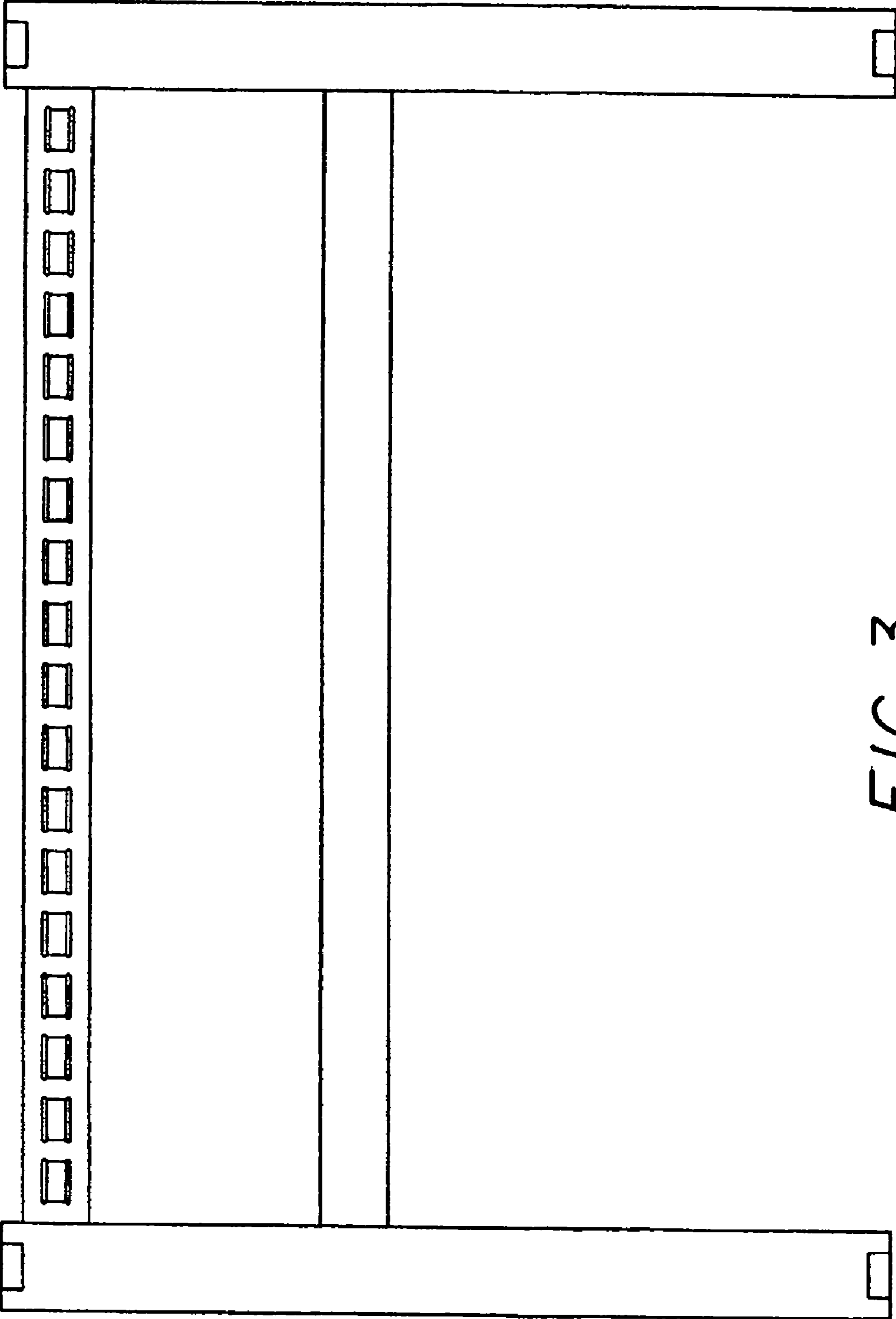


FIG. 3

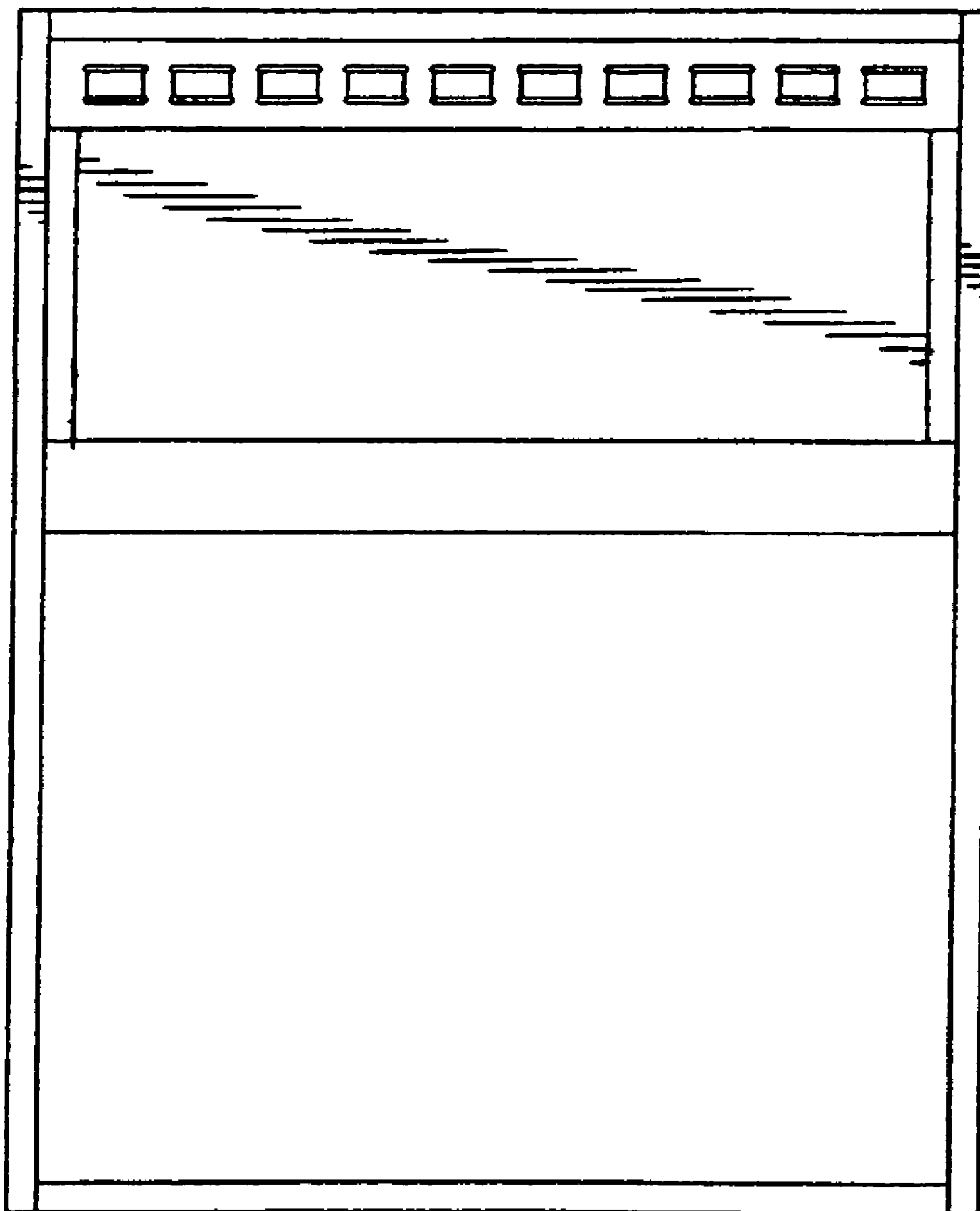


FIG. 4

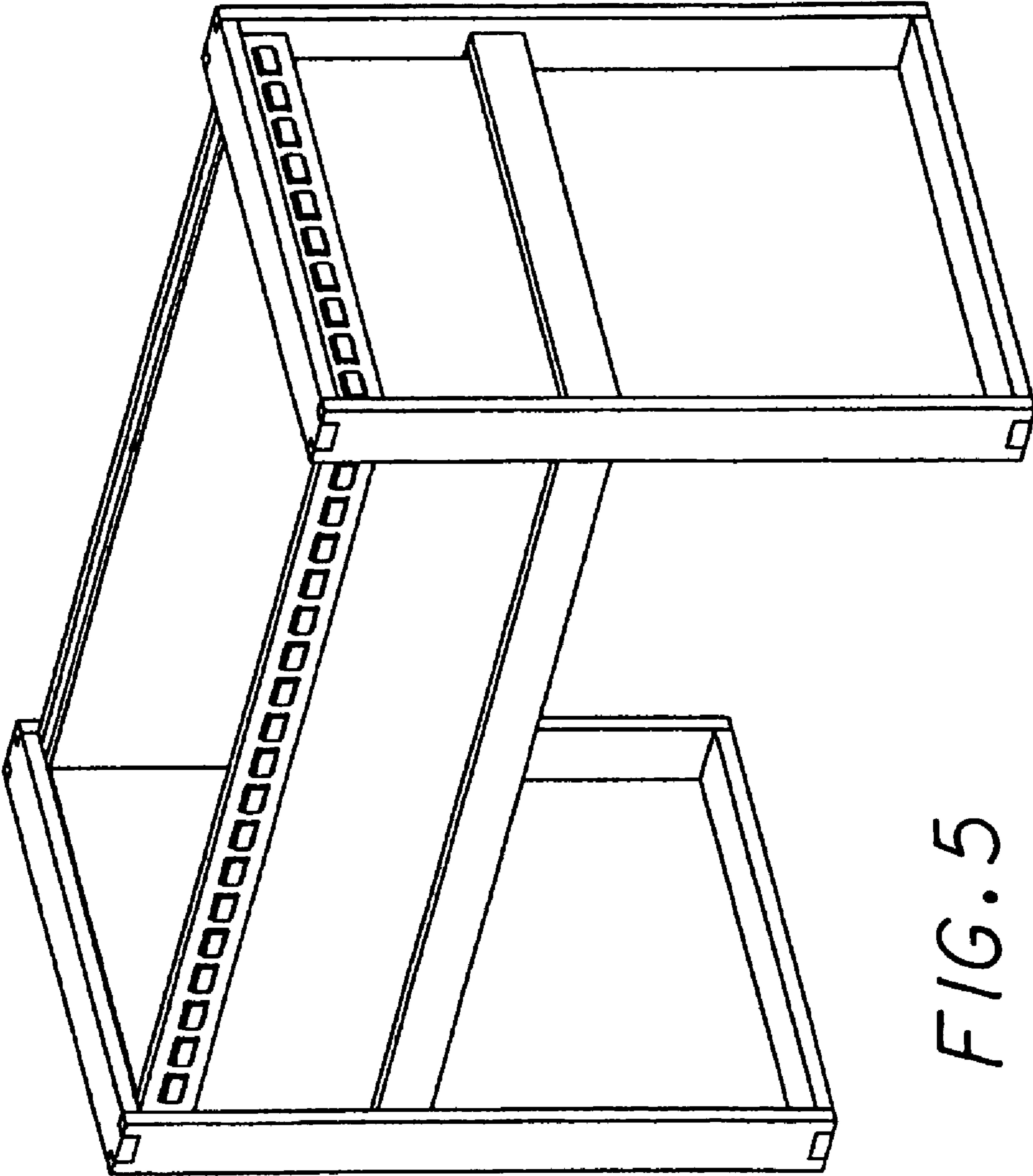


FIG. 5

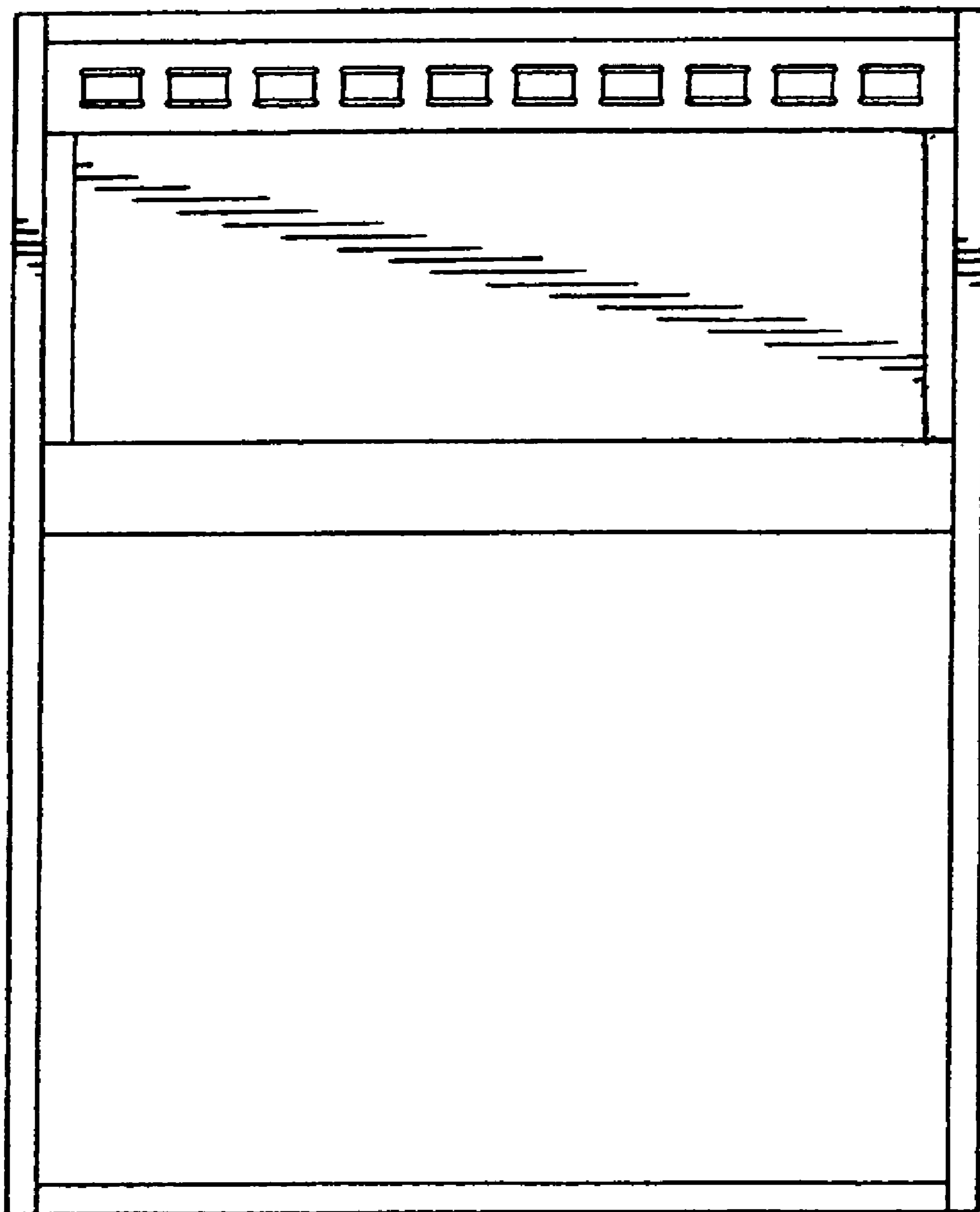


FIG. 6

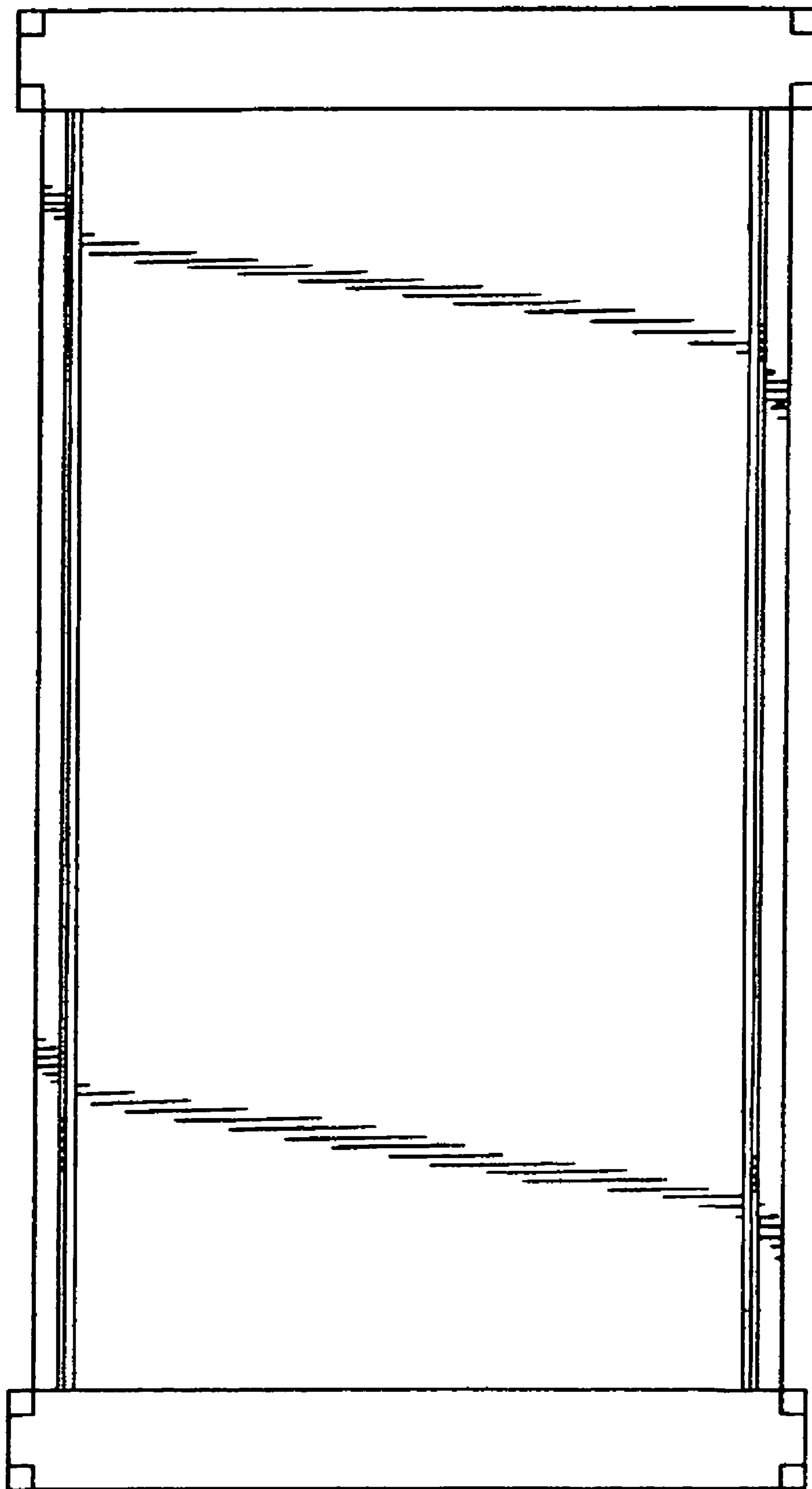


FIG. 7