



US00D591971S

(12) **United States Design Patent**  
**Serghini**

(10) **Patent No.:** **US D591,971 S**

(45) **Date of Patent:** **\*\* May 12, 2009**

(54) **COLLAPSIBLE ROCKER FRAME**

D429,585 S \* 8/2000 Huang ..... D6/503

(76) Inventor: **Najib Serghini**, 20 Rue Arabie Saoudite,  
Fes (MA) 3000

\* cited by examiner

*Primary Examiner*—Janice E Seeger

(\*\*) Term: **14 Years**

(74) *Attorney, Agent, or Firm*—Panitch Schwarze Belisario &  
Nadel LLP

(21) Appl. No.: **29/292,921**

(57) **CLAIM**

(22) Filed: **Nov. 1, 2007**

The ornamental design for a collapsible rocker frame, as  
shown and described.

(51) **LOC (9) Cl.** ..... **06-01**

(52) **U.S. Cl.** ..... **D6/385; D6/391**

(58) **Field of Classification Search** ..... D6/390,  
D6/391, 333, 385, 503, 505–508; 5/93.1,  
5/93.2, 98.2, 99.1, 101, 105

See application file for complete search history.

**DESCRIPTION**

FIG. 1 is a top perspective view of a collapsible cradle rocker  
frame, showing my new design;

FIG. 2 is a bottom perspective view;

FIG. 3 is a side perspective view, the opposite side being a  
mirror image thereof;

FIG. 4 is an end perspective view; and,

FIG. 5 is an end perspective view showing the end opposite  
that in FIG. 4.

(56) **References Cited**

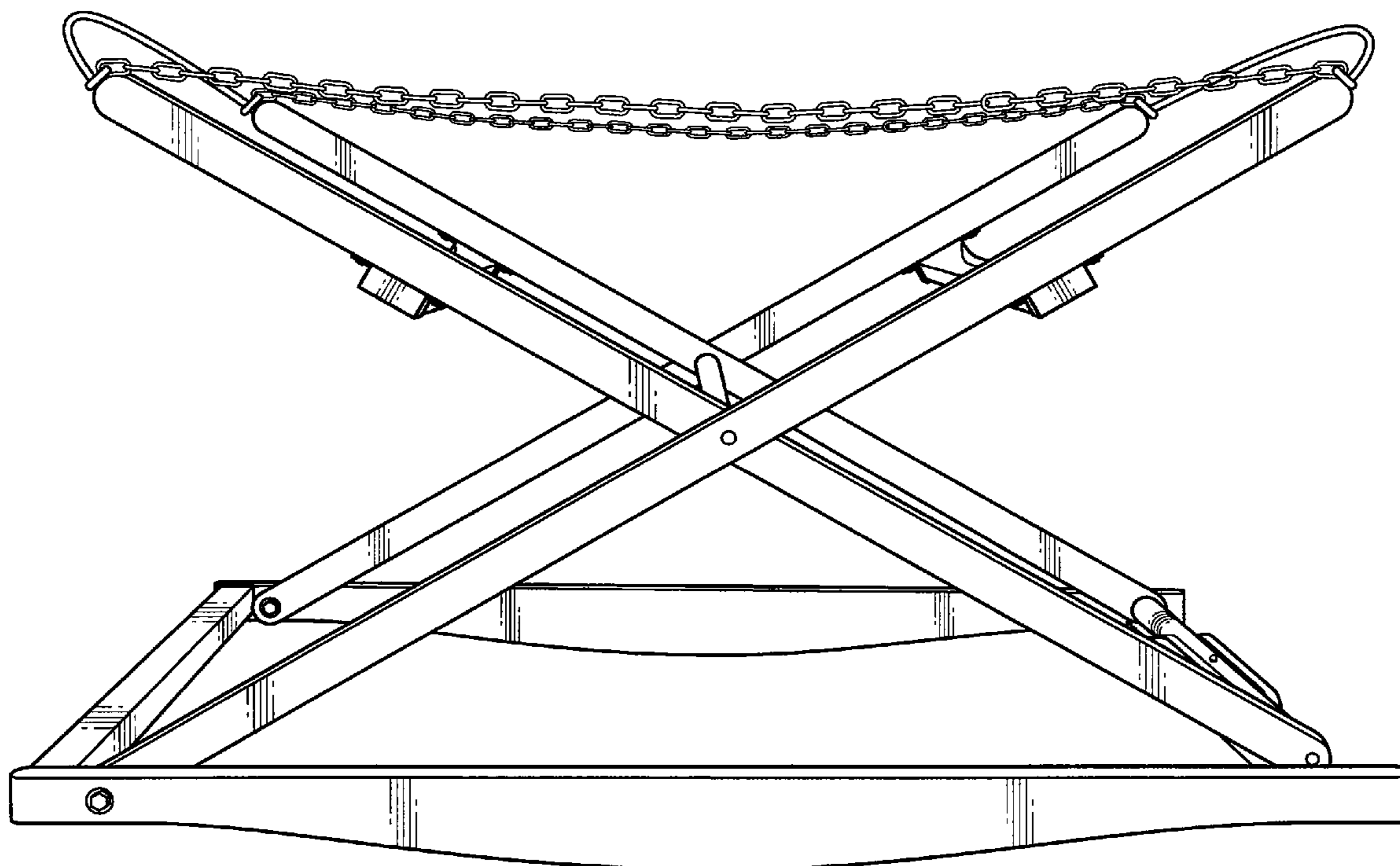
**U.S. PATENT DOCUMENTS**

1,735,513 A \* 11/1929 Stalter ..... 4/587

3,839,754 A \* 10/1974 Hooper ..... 5/98.2

D388,973 S \* 1/1998 Levin ..... D6/390

**1 Claim, 5 Drawing Sheets**



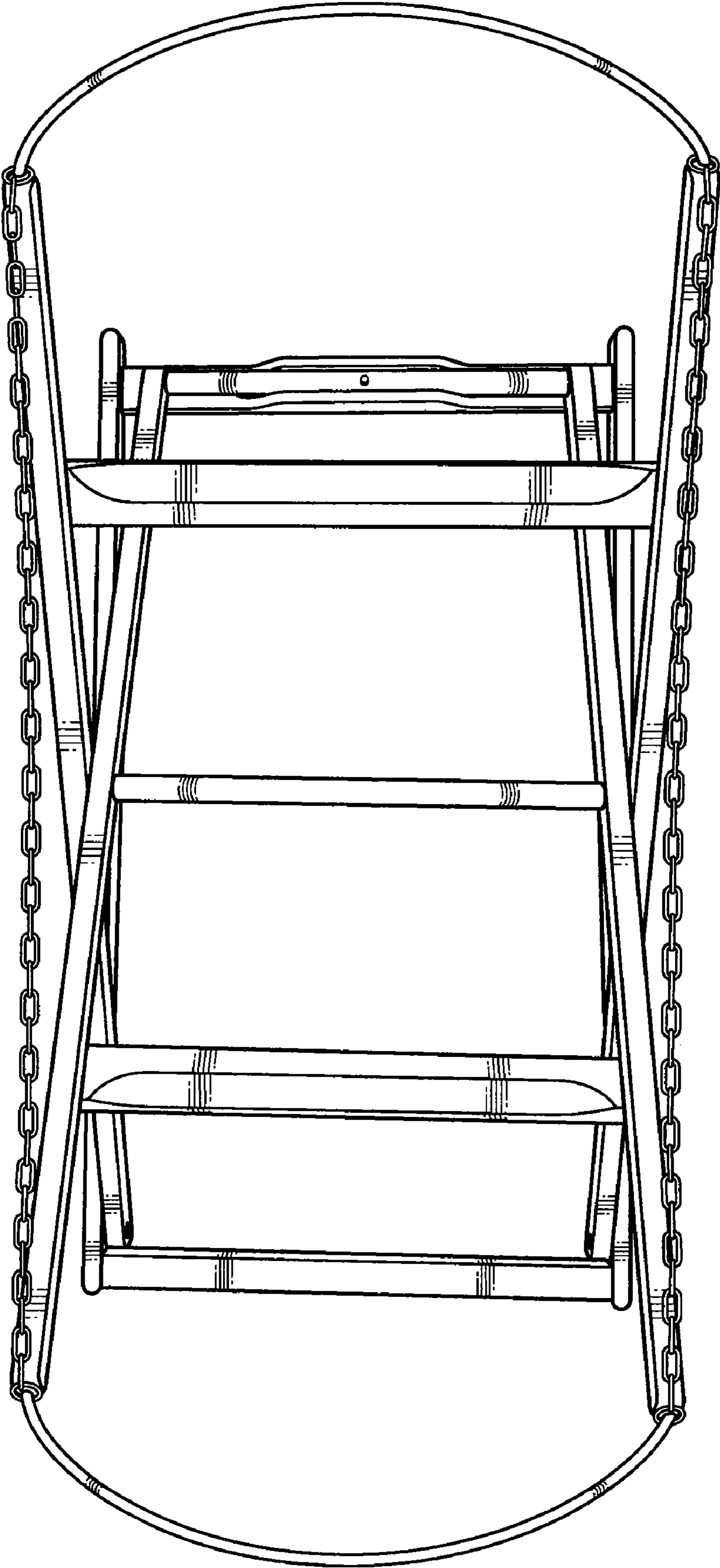


FIG. 1

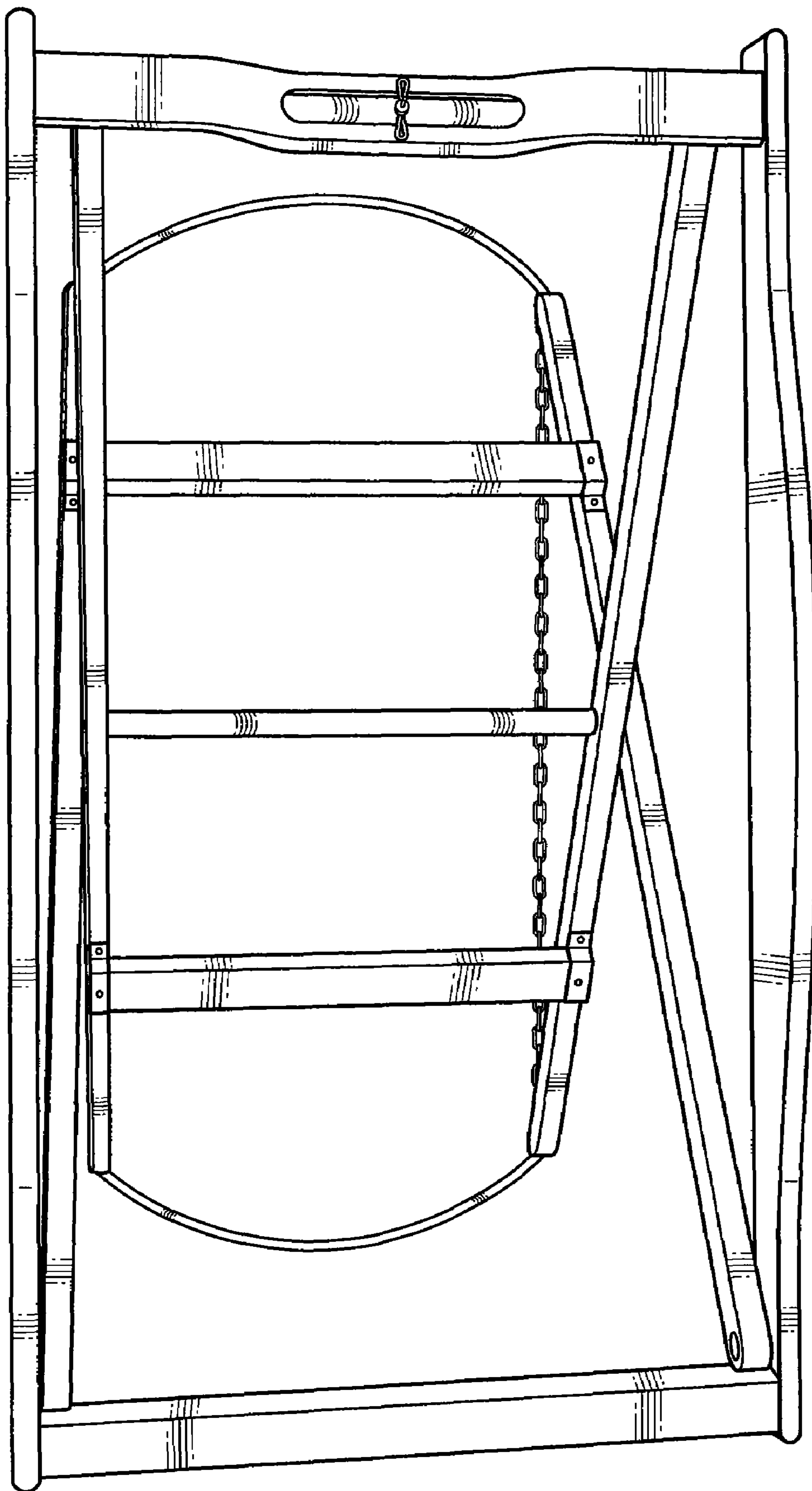


FIG. 2

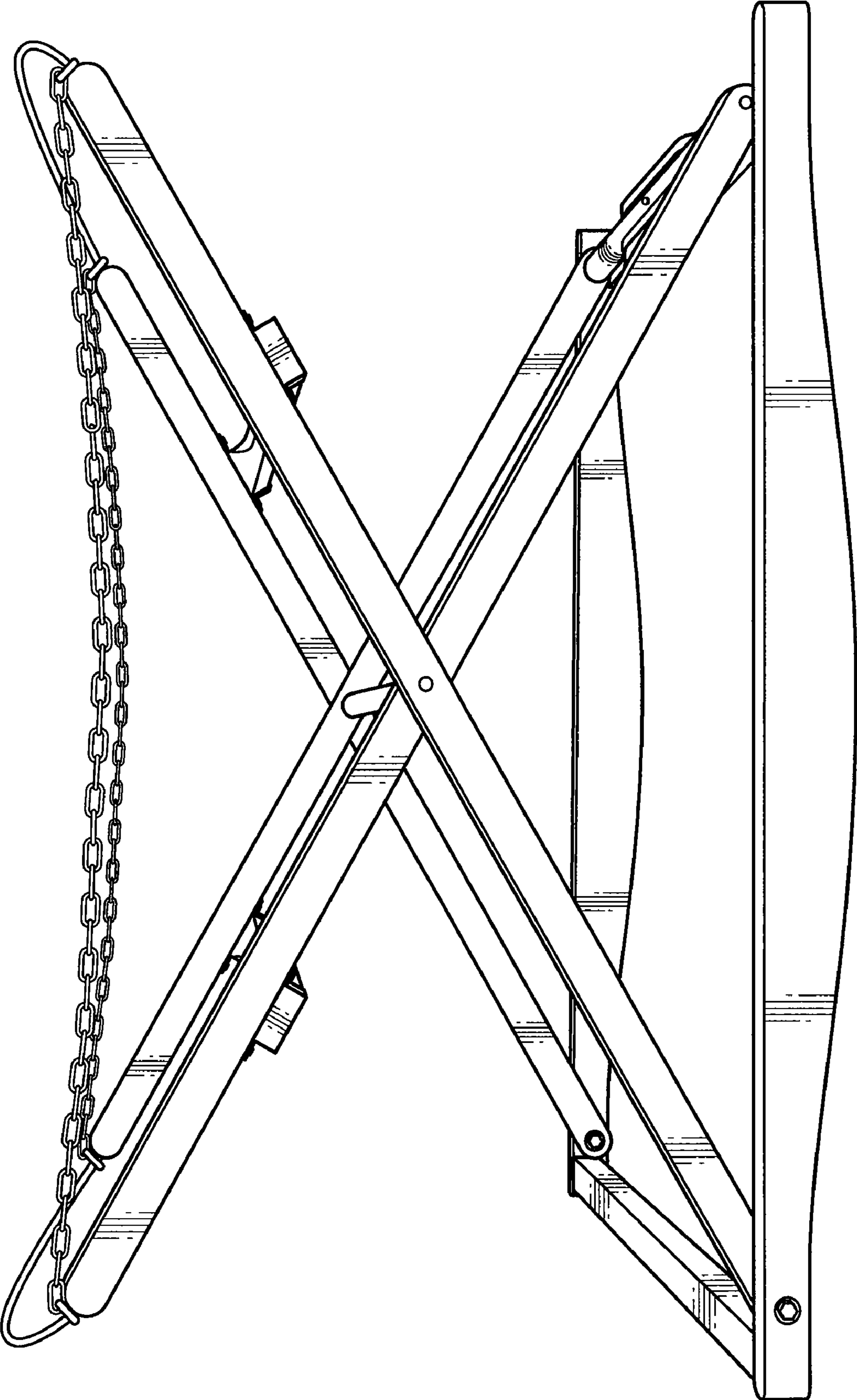
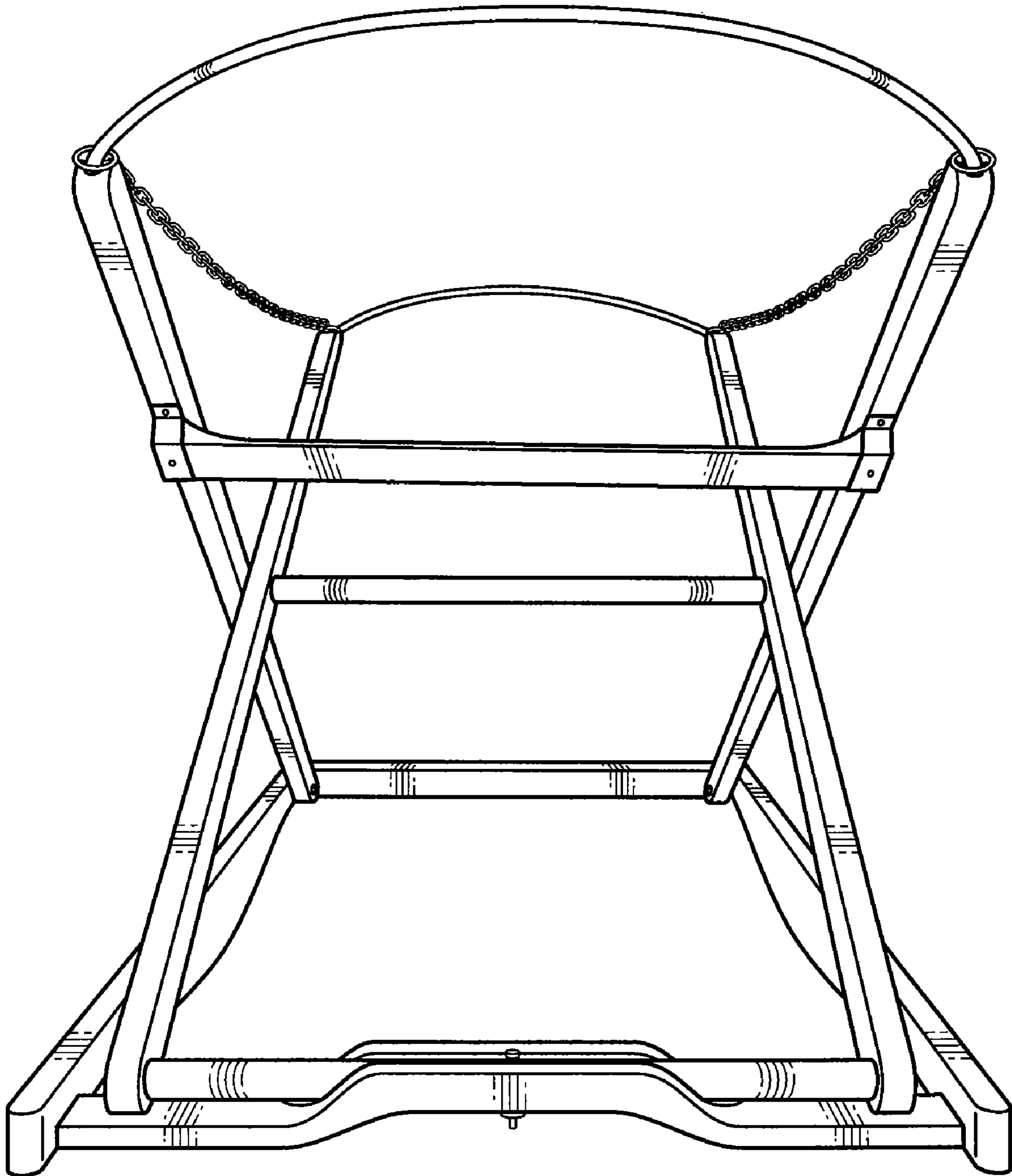


FIG. 3



**FIG. 4**

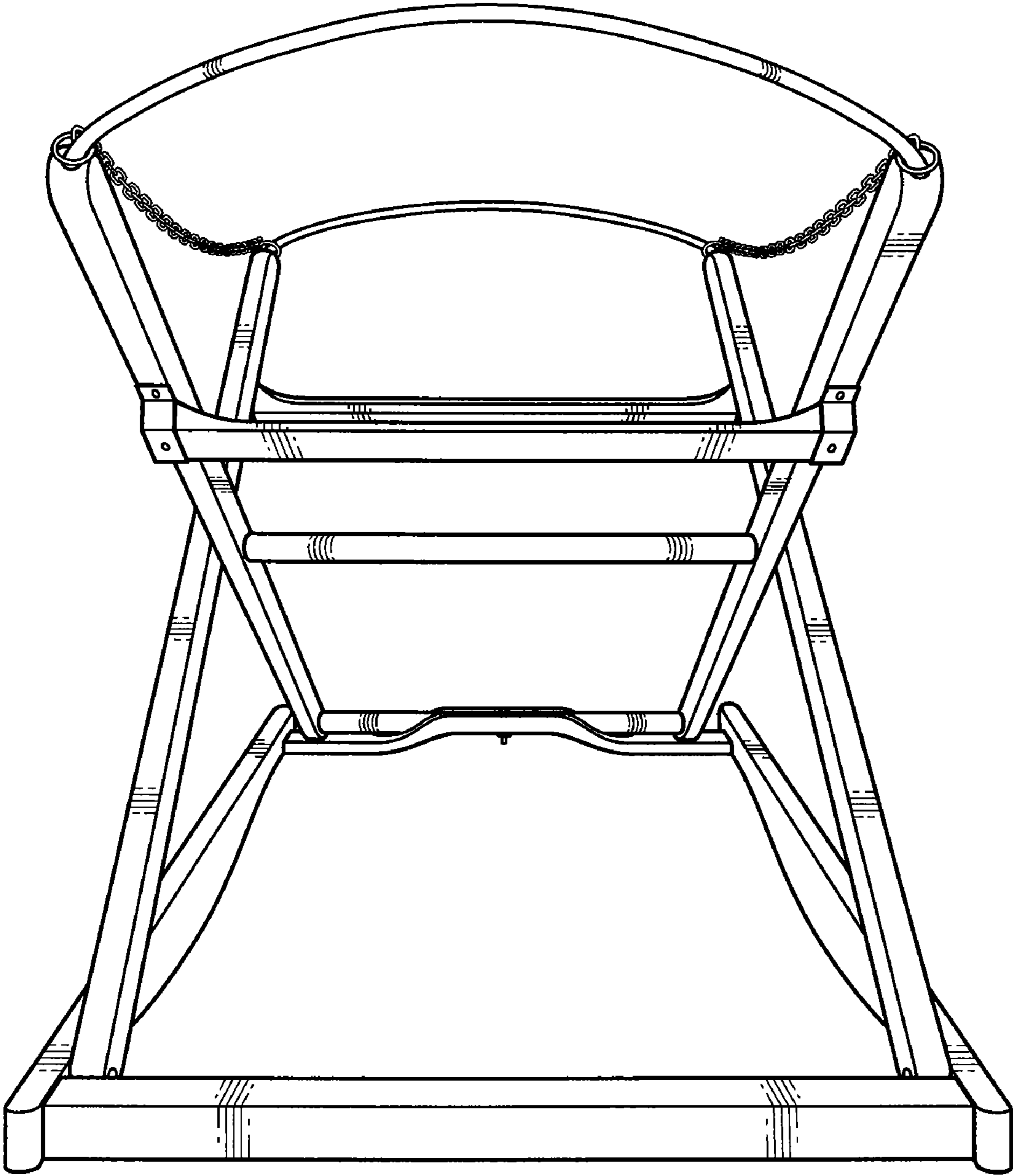


FIG. 5