



US00D591970S

(12) **United States Design Patent**
Weiss

(10) **Patent No.:** **US D591,970 S**
(45) **Date of Patent:** **** May 12, 2009**

(54) **SOFA**

(75) Inventor: **Per Weiss**, Randers (DK)

(73) Assignee: **Innovation U.S.A., Inc.**, Hanover, MD (US)

(**) Term: **14 Years**

(21) Appl. No.: **29/324,653**

(22) Filed: **Sep. 17, 2008**

(51) **LOC (9) Cl.** **06-01**

(52) **U.S. Cl.** **D6/381**

(58) **Field of Classification Search** D6/334,
D6/335, 349, 353, 368, 371, 377, 381, 382,
D6/383, 500–503; 297/16.1, 16.2, 34, 42,
297/44, 63, 232, 233, 350, 351, 353, 354.1,
297/445.1, 448.1, 448.2; 5/12.1, 12.2
See application file for complete search history.

(56) **References Cited**

U.S. PATENT DOCUMENTS

4,110,855	A *	9/1978	Acker	5/45
4,292,698	A *	10/1981	Acker	5/45
D272,968	S *	3/1984	Fairaizen	D6/381
D446,962	S *	8/2001	Mourgue	D6/381
D455,282	S *	4/2002	Andersen et al.	D6/381
D463,689	S *	10/2002	Pathiratne	D6/492
D498,075	S *	11/2004	Mourgue	D6/381
D569,123	S *	5/2008	Roos et al.	D6/381

* cited by examiner

Primary Examiner—Sandra Snapp

(74) *Attorney, Agent, or Firm*—Miles & Stockbridge PC;
James T. Carmichael; Michael A. Minter

(57) **CLAIM**

The ornamental design for a sofa, as shown and described.

DESCRIPTION

FIG. 1 is a front right perspective view of the sofa showing the new design;

FIG. 2 is a front left perspective view thereof;

FIG. 3 is a front view thereof;

FIG. 4 is a rear view thereof;

FIG. 5 is a left side view thereof;

FIG. 6 is a right side view thereof;

FIG. 7 is a top plan view thereof;

FIG. 8 is a bottom plan view thereof;

FIG. 9 is a front right perspective view thereof in a fully reclined position;

FIG. 10 is a front left perspective view thereof in the fully reclined position;

FIG. 11 is a front view thereof in the fully reclined position;

FIG. 12 is a rear view thereof in the fully reclined position;

FIG. 13 is a left side view thereof in the fully reclined position;

FIG. 14 is a right side view thereof in the fully reclined position;

FIG. 15 is a top plan view thereof in the fully reclined position; and,

FIG. 16 is a bottom plan view thereof in the fully reclined position.

The dotted lines shown on the article represent topstitching. The broken lines shown in the drawings are for illustrative purposes only and form no part of the claimed design.

1 Claim, 12 Drawing Sheets

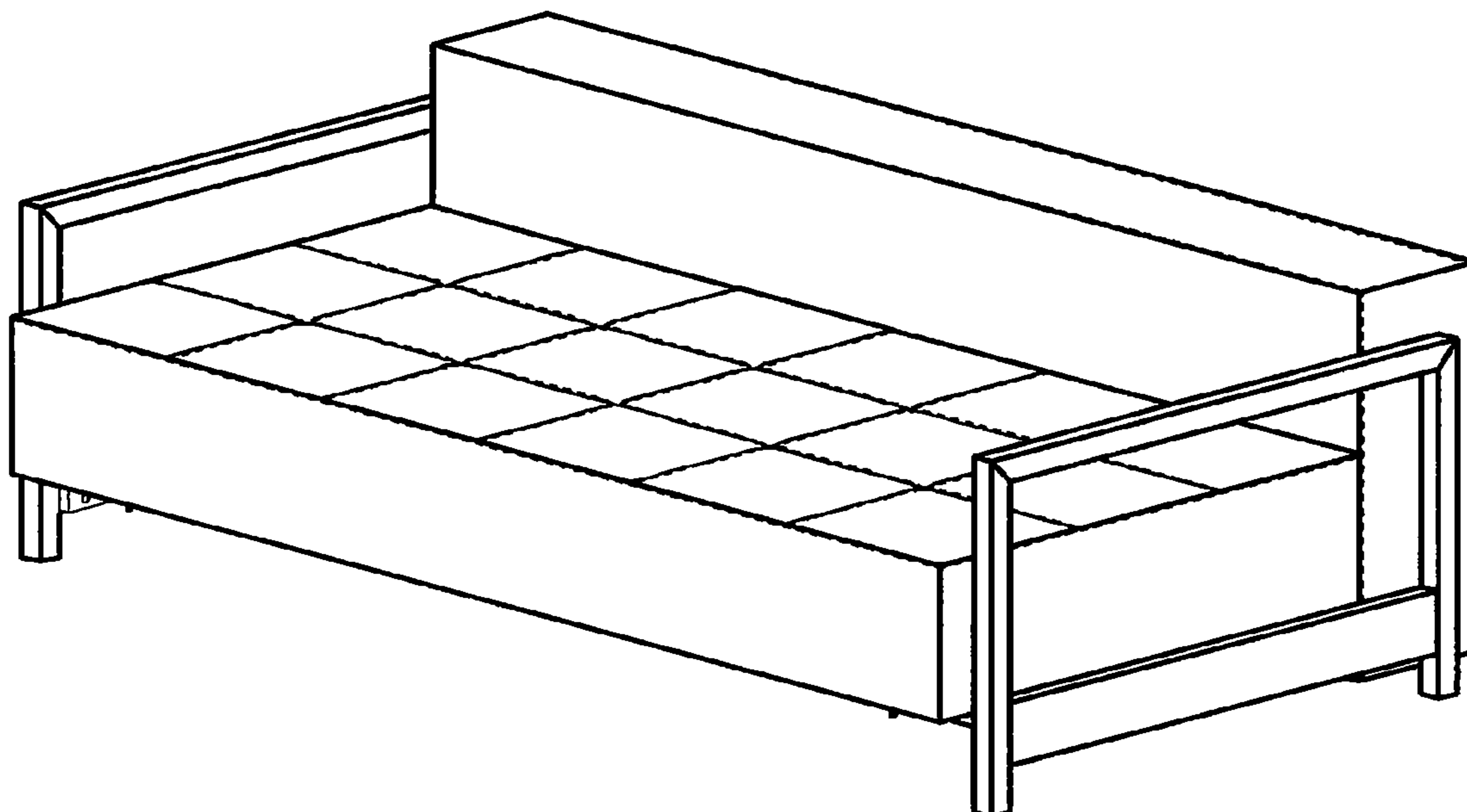


FIG. 1

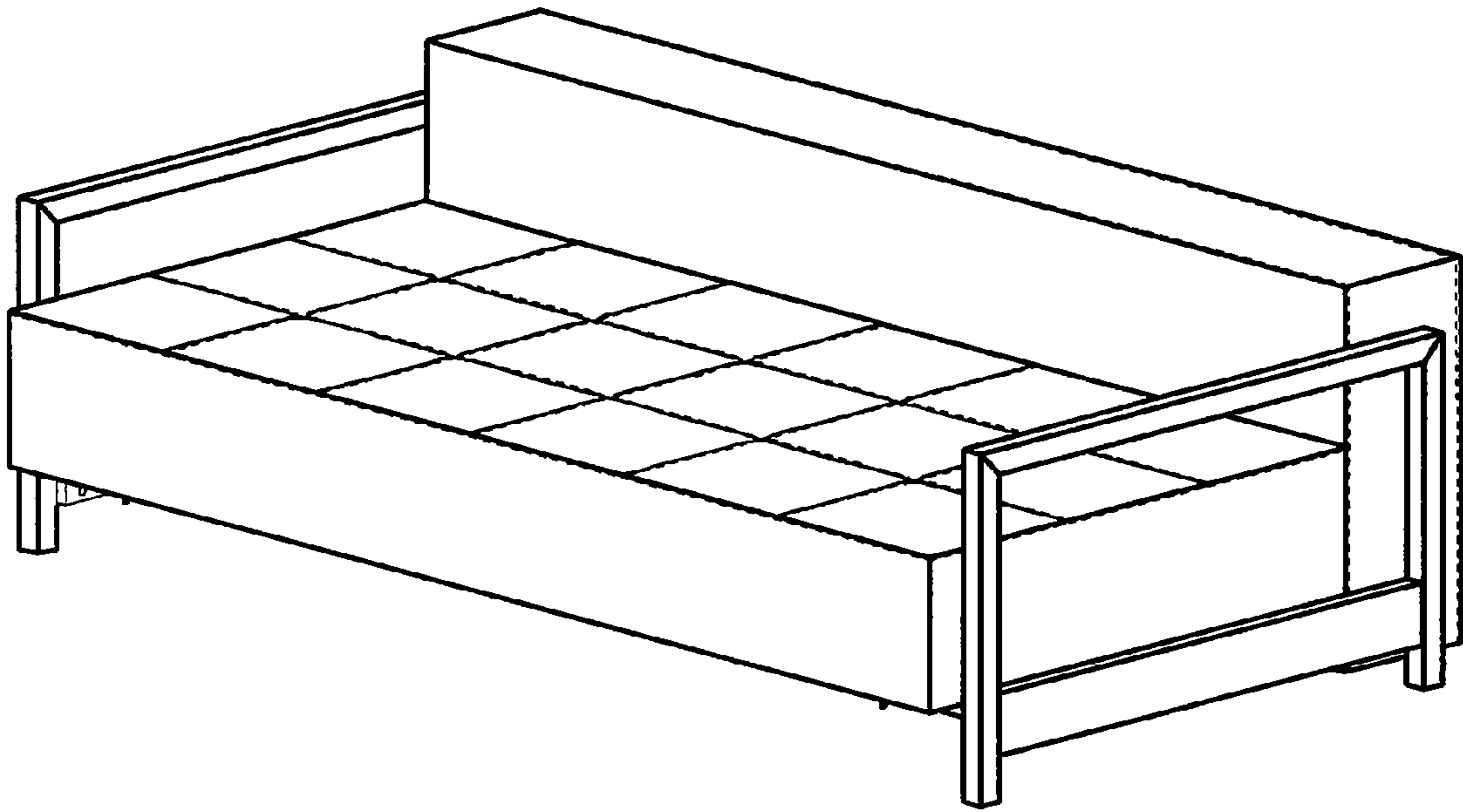


FIG. 2

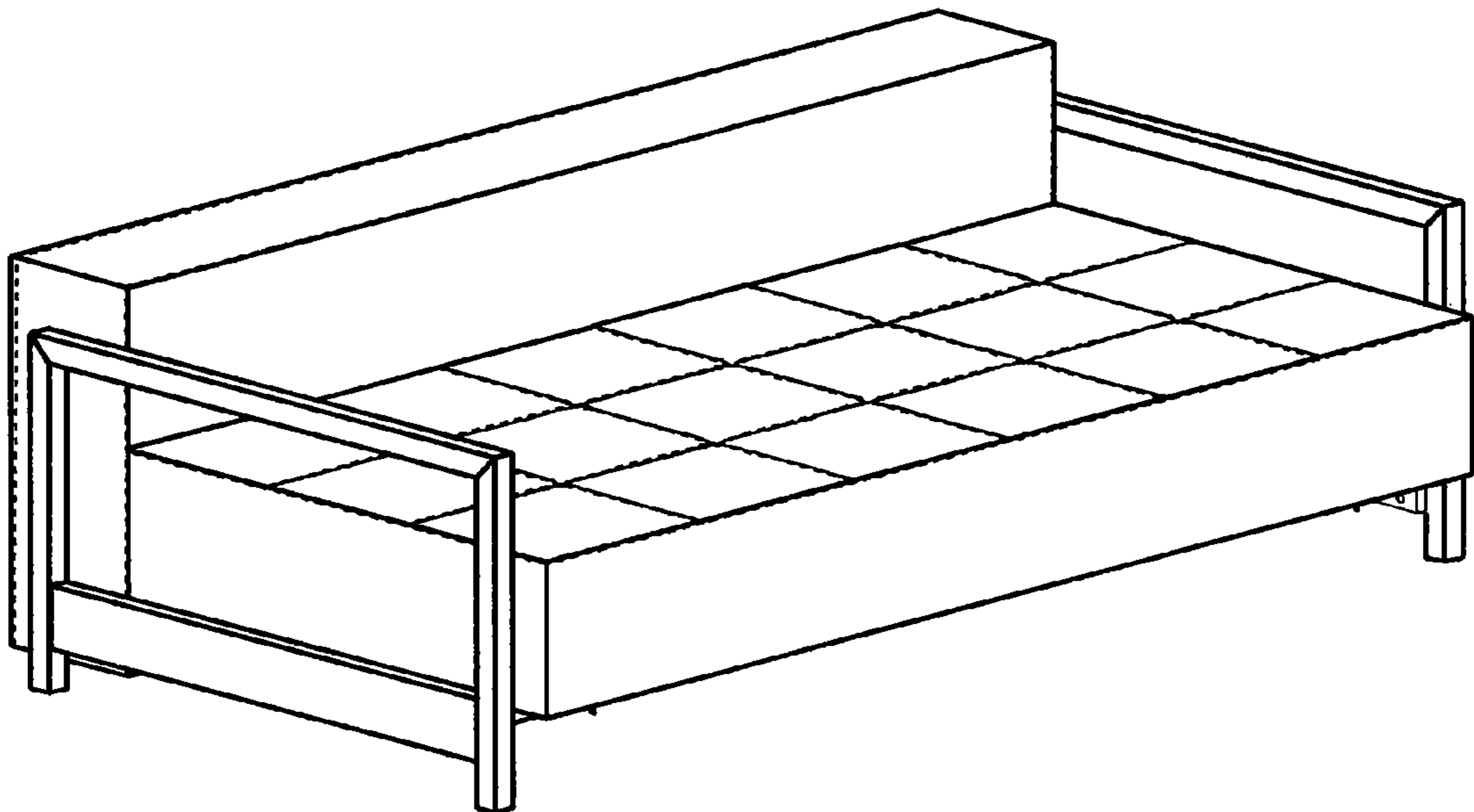


FIG. 3

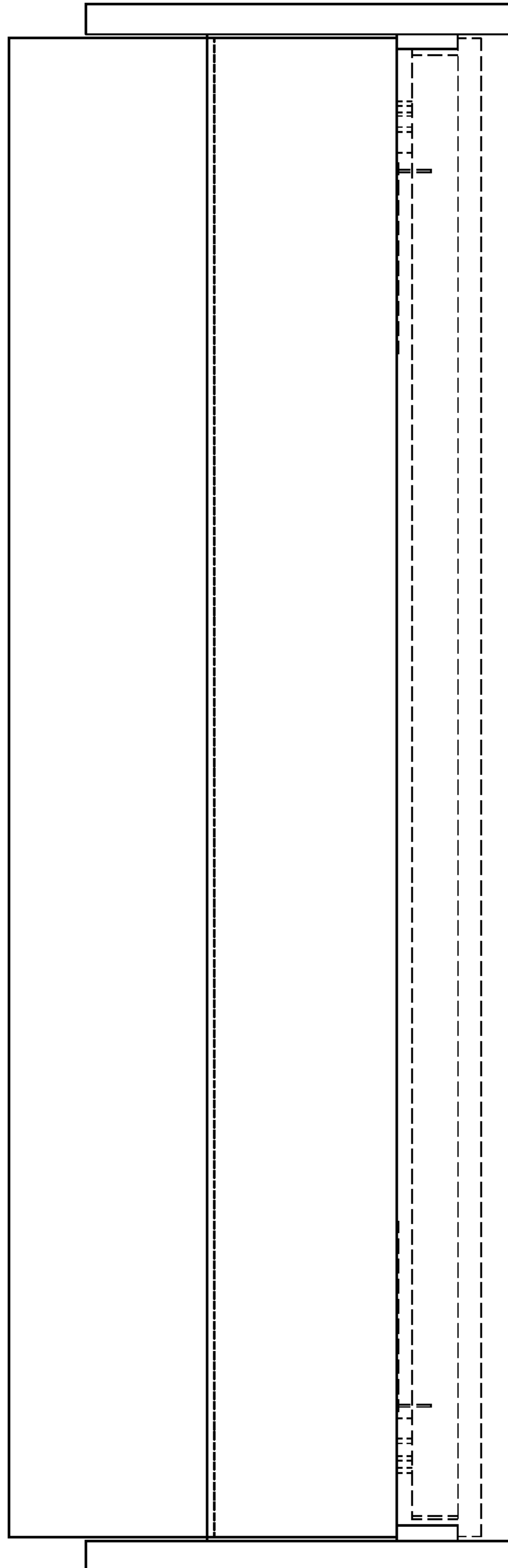


FIG. 4

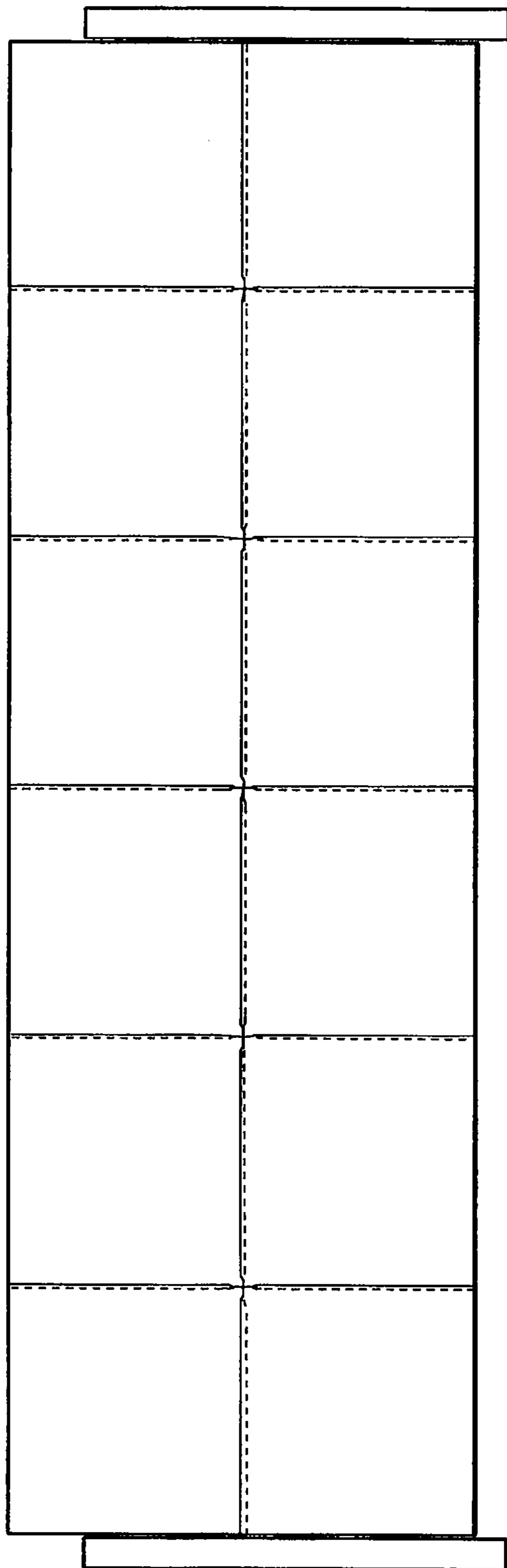


FIG. 5

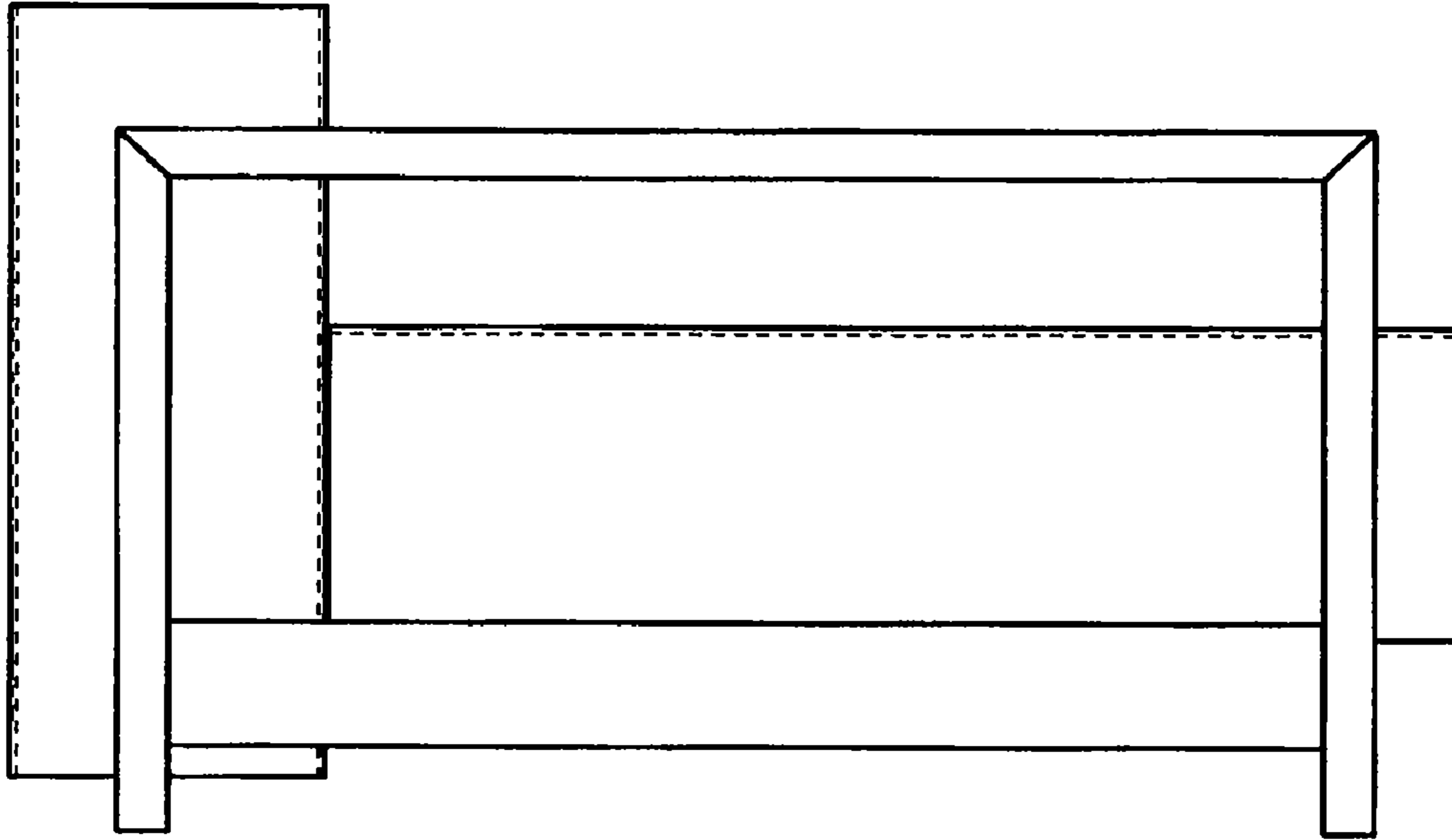


FIG. 6

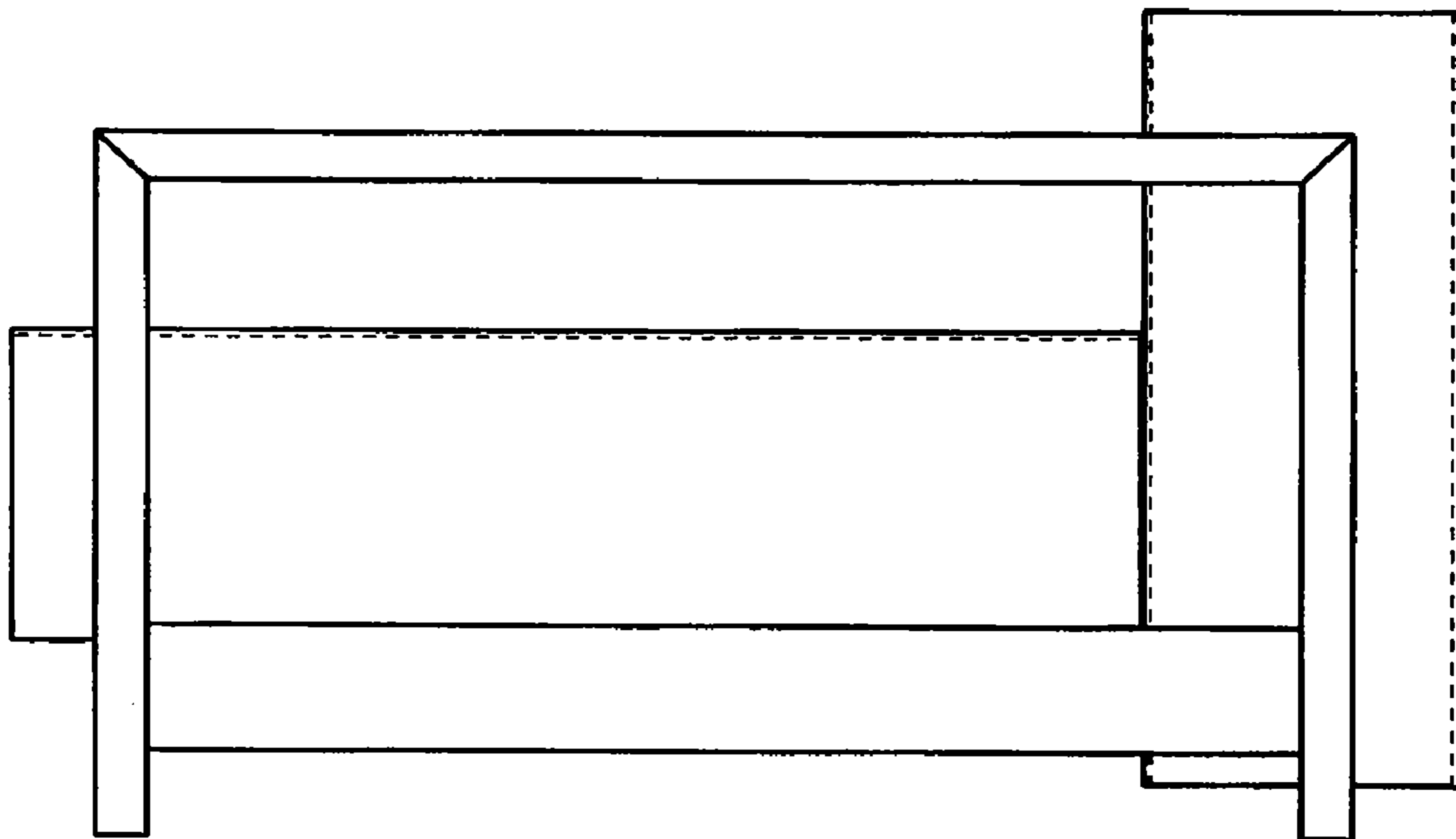


FIG. 7

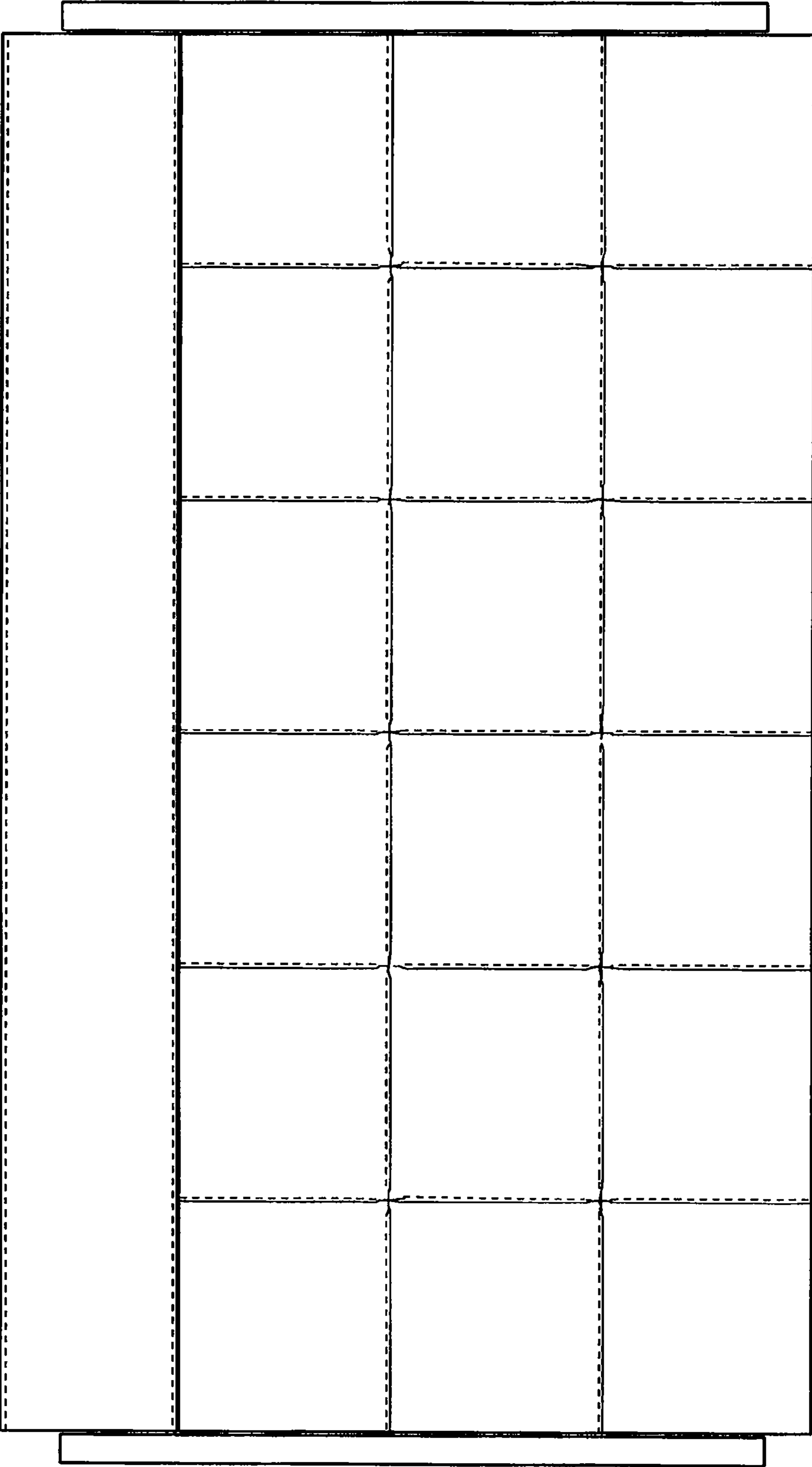


FIG. 8

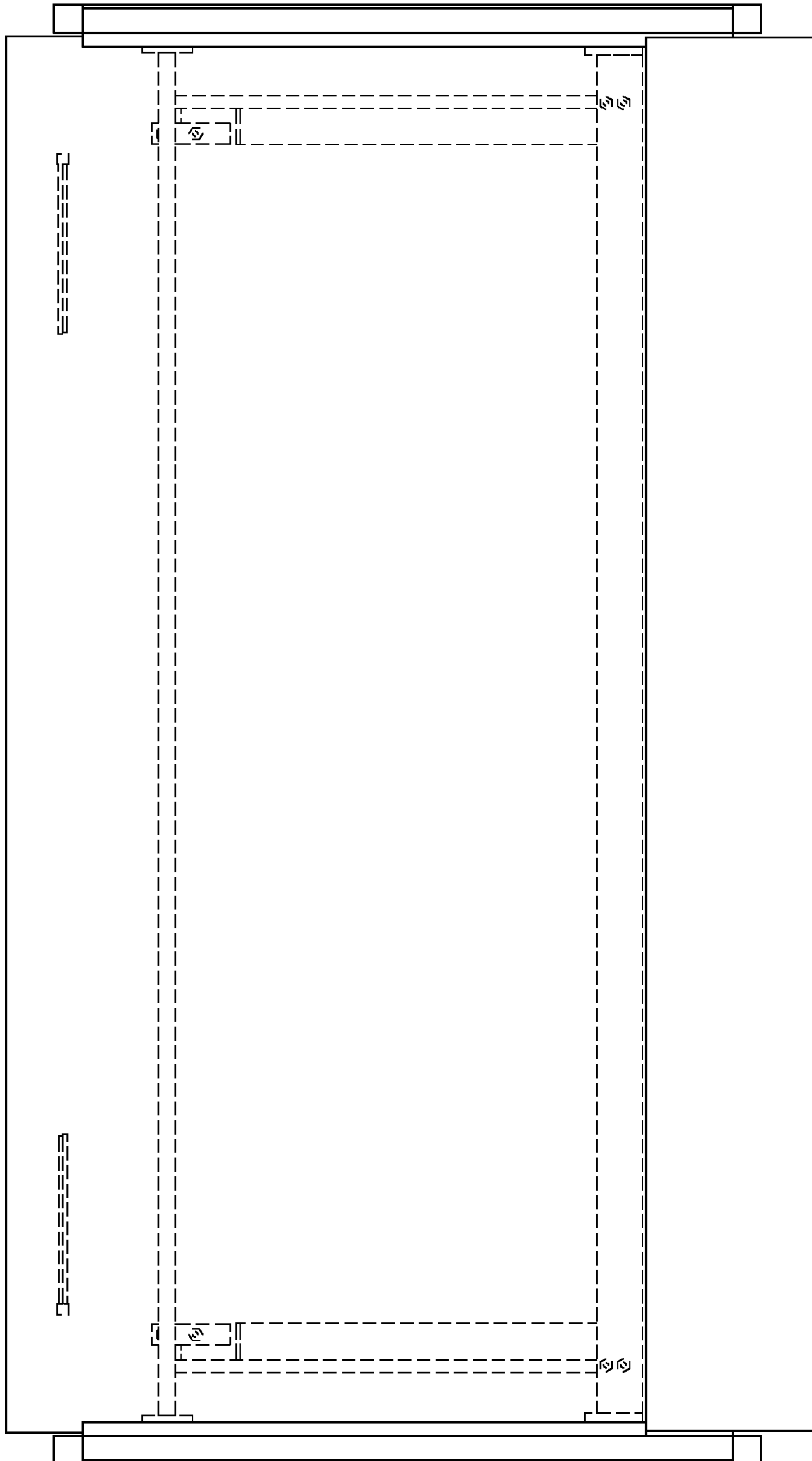


FIG. 9

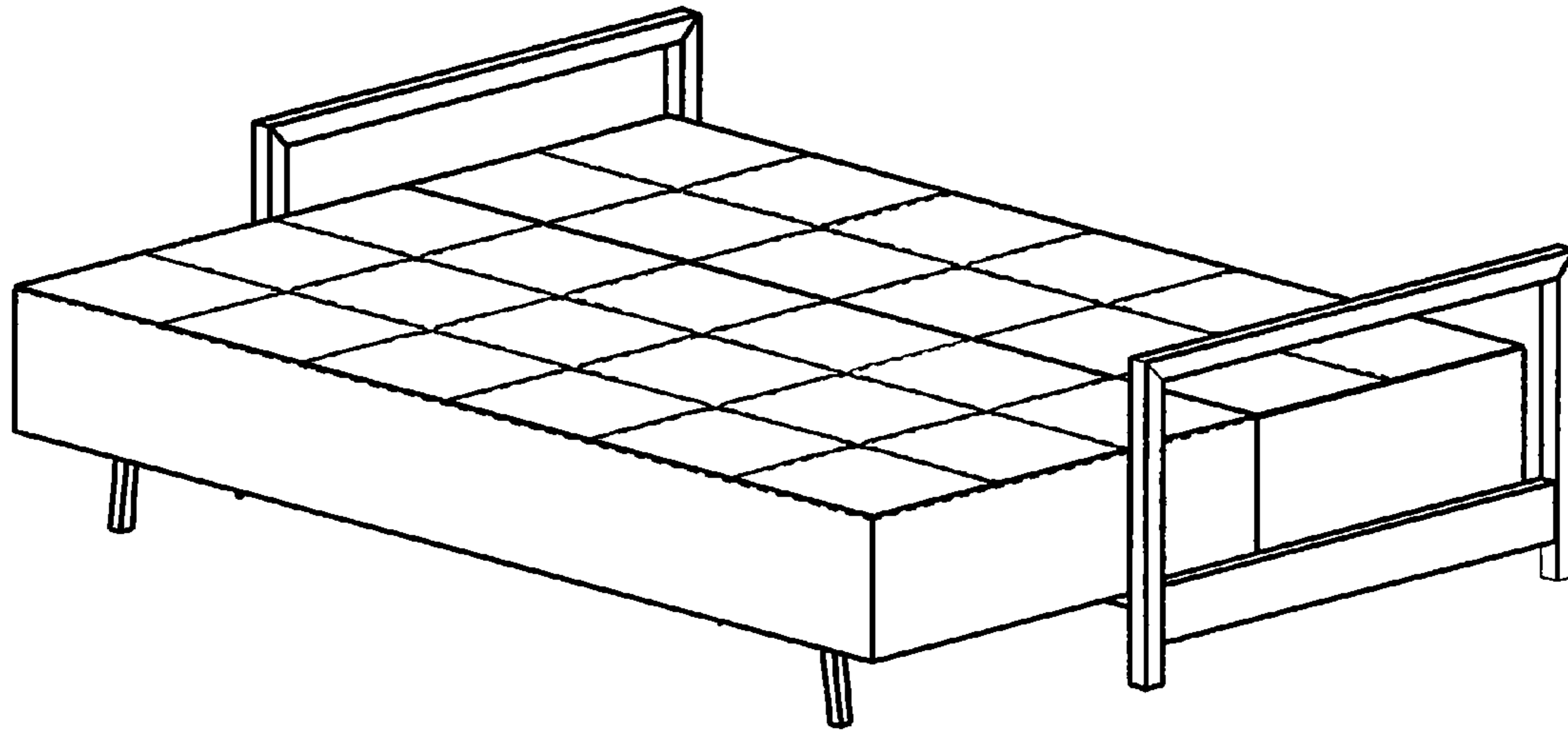


FIG. 10

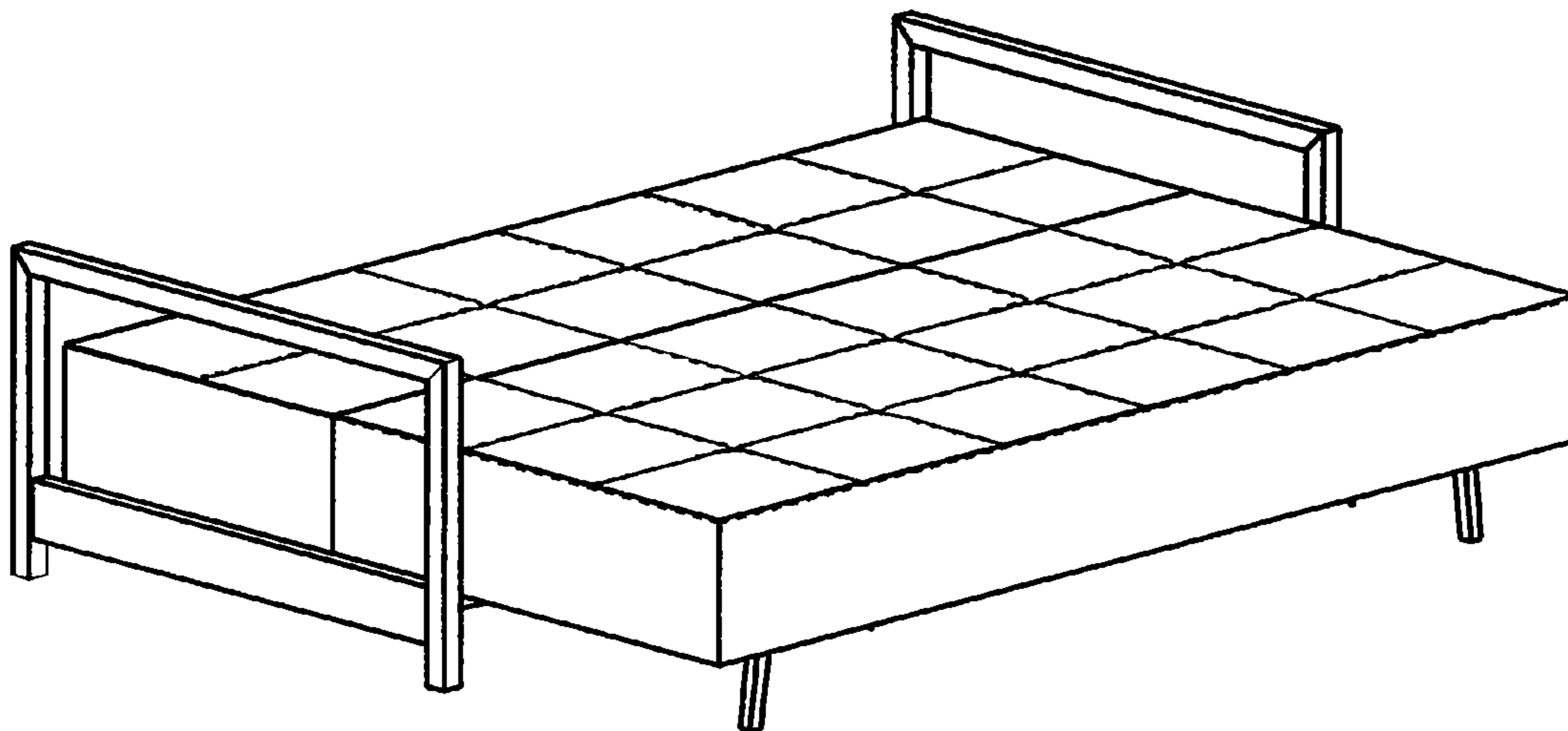


FIG. 11

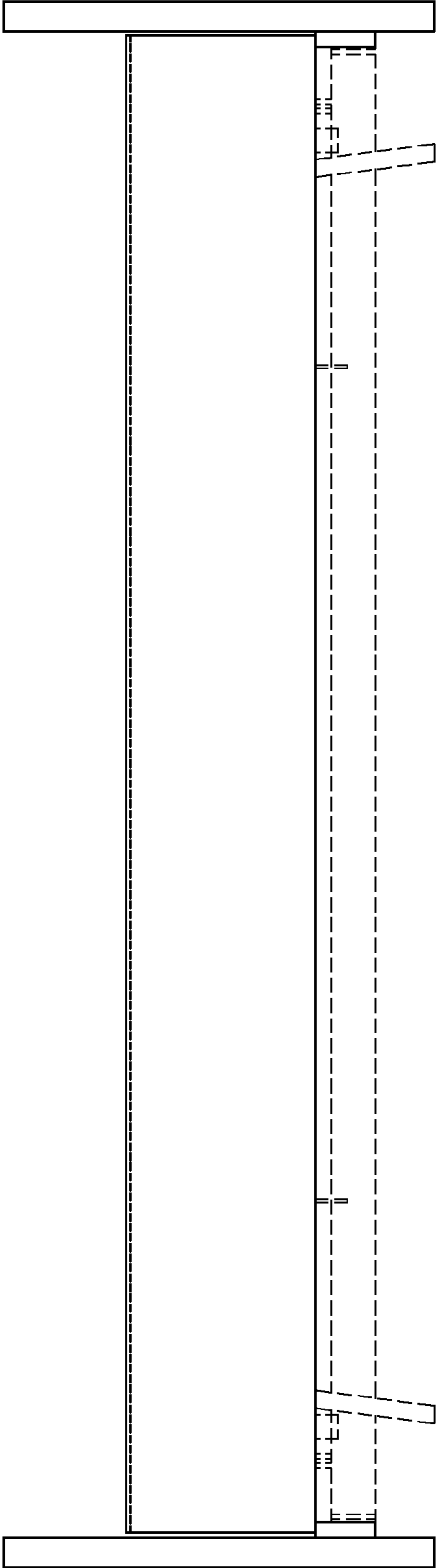


FIG. 12

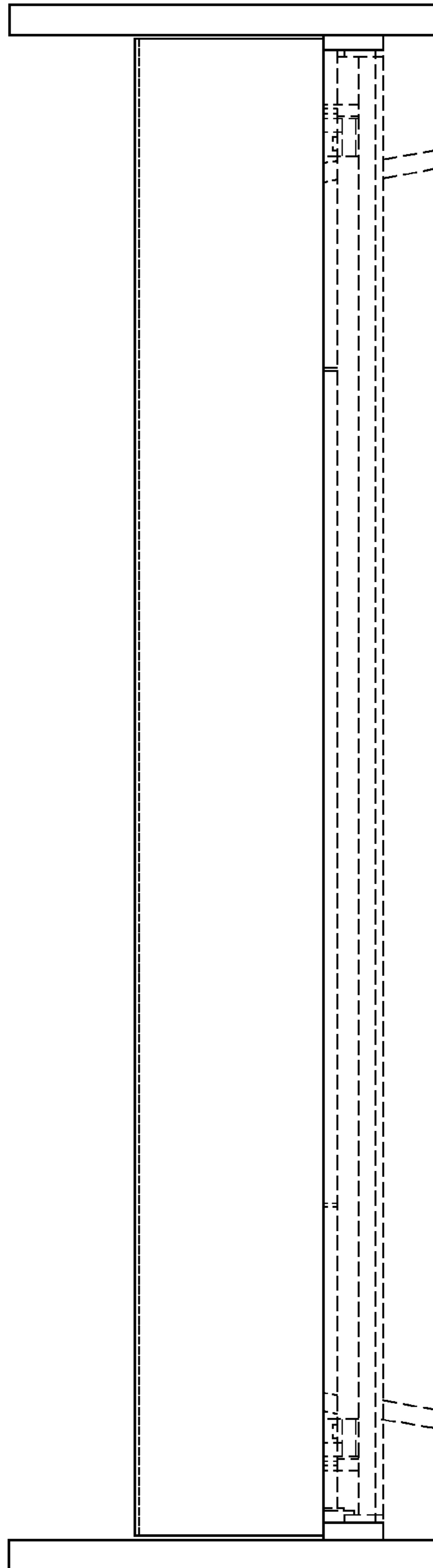


FIG. 13

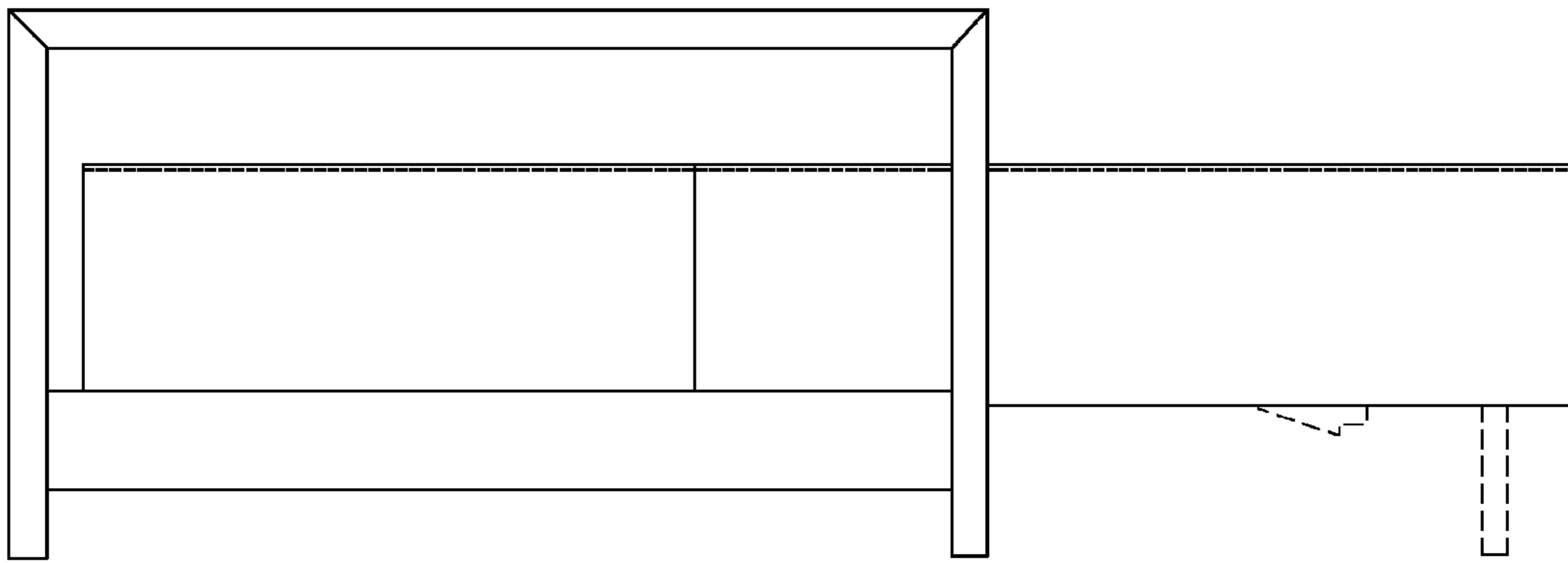


FIG. 14

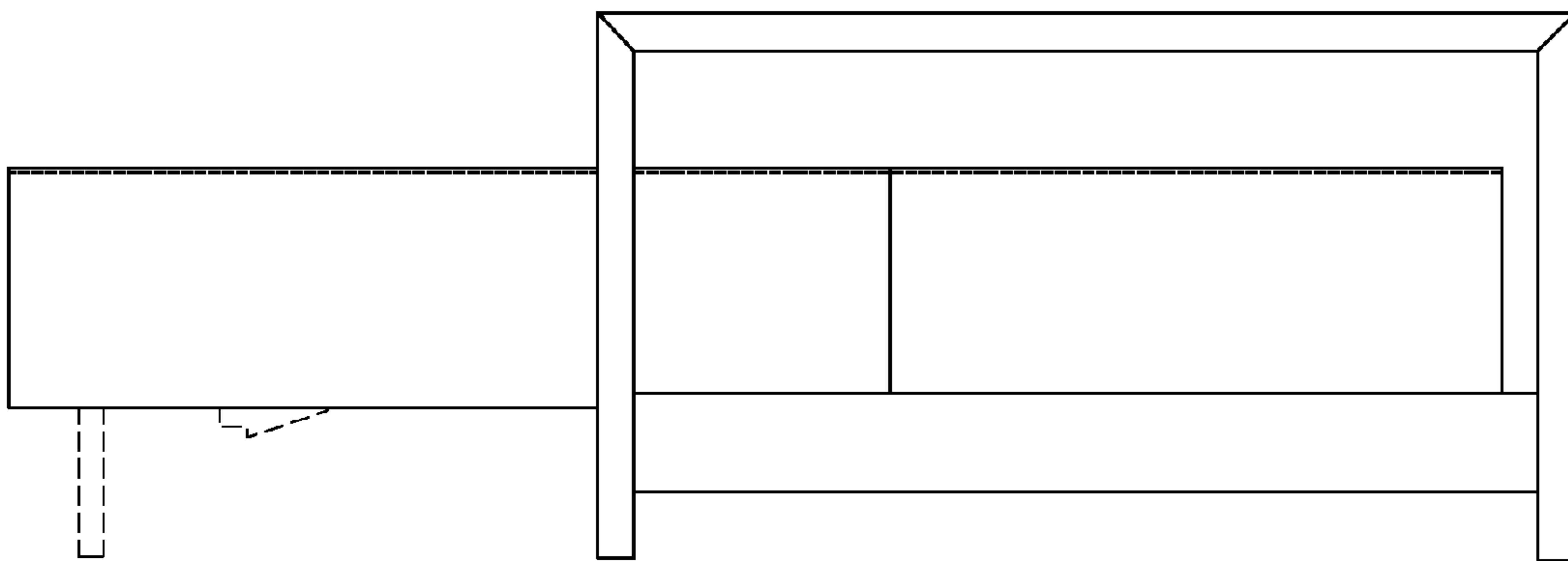


FIG. 15

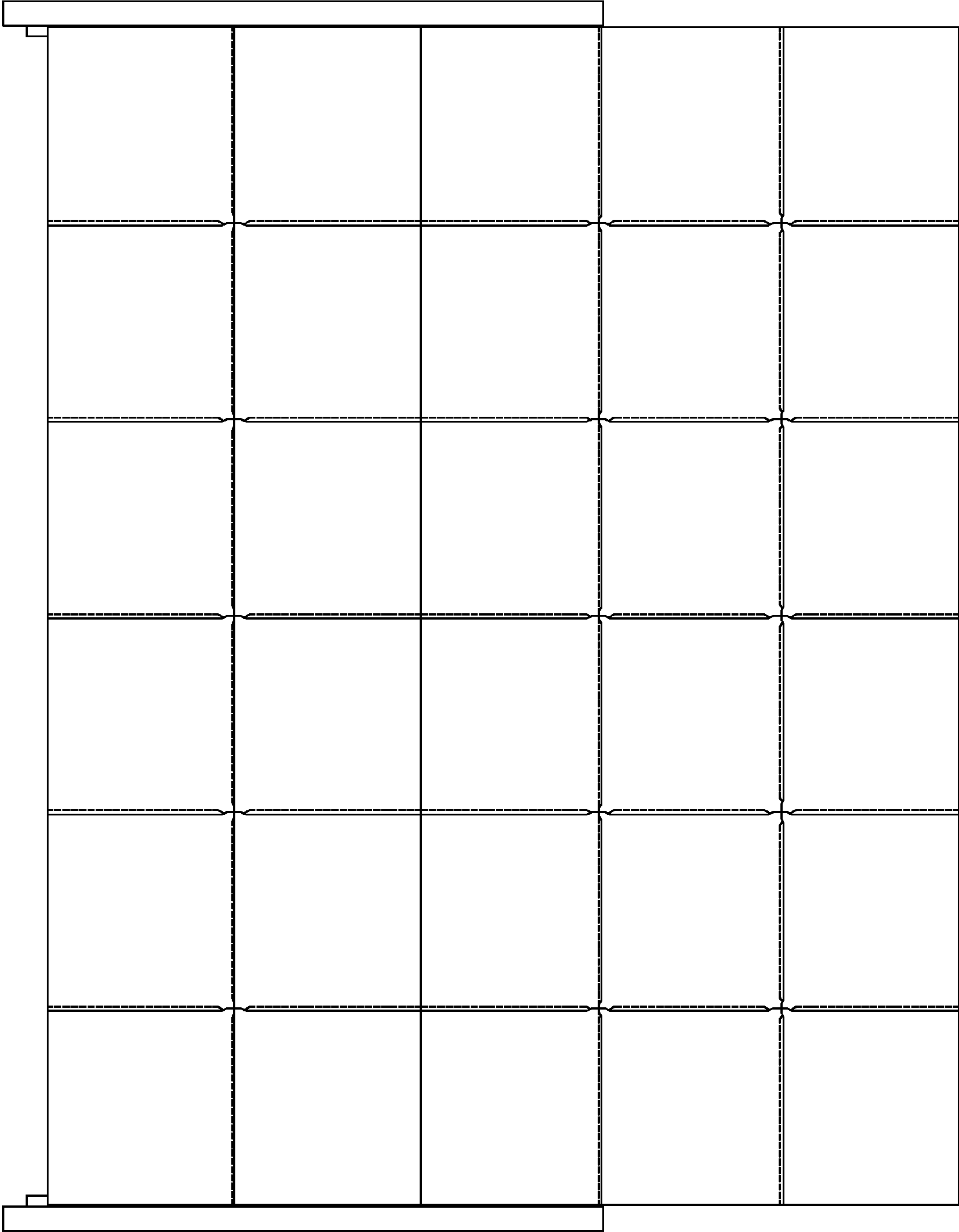
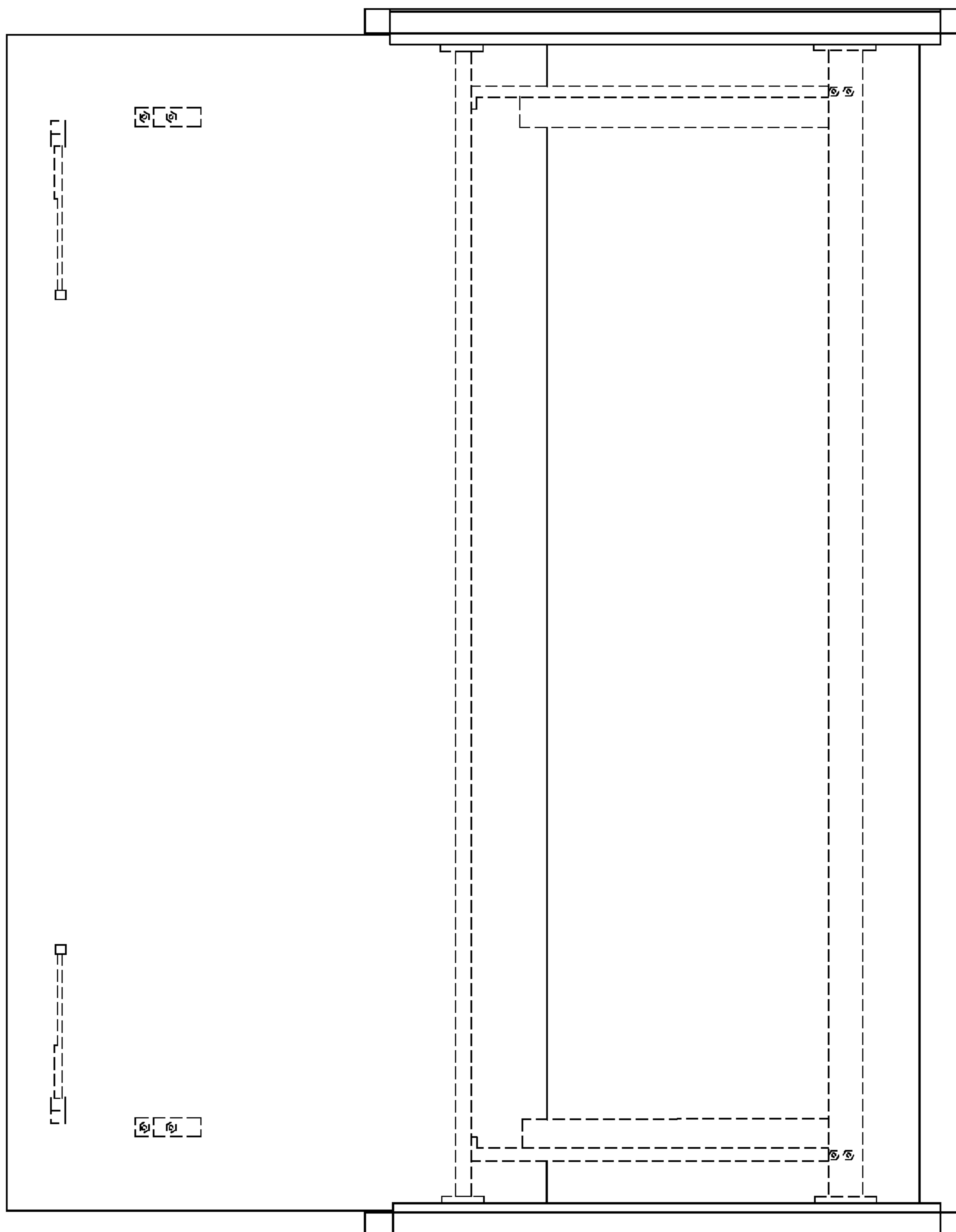


FIG. 16



UNITED STATES PATENT AND TRADEMARK OFFICE
CERTIFICATE OF CORRECTION

PATENT NO. : Des. 591,970 S
APPLICATION NO. : 29/324653
DATED : May 12, 2009
INVENTOR(S) : Per Weiss

Page 1 of 1

It is certified that error appears in the above-identified patent and that said Letters Patent is hereby corrected as shown below:

On the Title page, please add the following paragraph:

“(30) Foreign Application Priority Data

April 14, 2008 (CN) 200830123415.3”

Signed and Sealed this

Twenty-fifth Day of August, 2009



David J. Kappos
Director of the United States Patent and Trademark Office