



US00D591968S

(12) **United States Design Patent**
Pinaffo et al.

(10) **Patent No.:** **US D591,968 S**
(45) **Date of Patent:** **** May 12, 2009**

(54) **CHAIRS**

(75) Inventors: **Angelo Pinaffo**, Vigonza (IT); **Paolo Scagnellato**, Padua (IT)

(73) Assignee: **Cerantola S.p.A.**, Loria (IT)

(**) Term: **14 Years**

(21) Appl. No.: **29/256,026**

(22) Filed: **Mar. 16, 2006**

(51) **LOC (9) Cl.** **06-01**

(52) **U.S. Cl.** **D6/380**

(58) **Field of Classification Search** D6/380,
D6/376, 334-335, 374, 368, 379, 500-502,
D6/370; 297/452.1, 446.1, 58, 452.46, 452.64,
297/448.1, 445.1

See application file for complete search history.

(56) **References Cited**

U.S. PATENT DOCUMENTS

D279,438 S *	7/1985	Gerner	D6/380
D352,185 S *	11/1994	Pagnon et al.	D6/380
D398,457 S *	9/1998	Maly	D6/380
D481,550 S *	11/2003	Astle	D6/374
D482,540 S *	11/2003	Ashby	D6/374
D502,231 S *	2/2005	Auberger	D21/688
D508,339 S *	8/2005	Astle	D6/374
D513,134 S *	12/2005	Asano et al.	D6/380
D513,457 S *	1/2006	Asano et al.	D6/380
D513,670 S *	1/2006	Yamagata	D6/380
D518,656 S *	4/2006	Van Hooydonk et al.	D6/374
D544,234 S *	6/2007	Olano	D6/379
D546,089 S *	7/2007	Ebenestelli	D6/379

* cited by examiner

Primary Examiner—Caron Veynar

Assistant Examiner—Abraham Bahta

(74) *Attorney, Agent, or Firm*—Modiano & Associati; Albert Josif; Daniel J. O'Byrne

(57) **CLAIM**

The ornamental design for “chairs”, as shown and described.

DESCRIPTION

FIG. 1 is a perspective view of a chair, showing our new design;

FIG. 2 is a front view thereof;

FIG. 3 is a rear view thereof;

FIG. 4 is a right side view thereof;

FIG. 5 is a left side view thereof;

FIG. 6 is a plan view thereof taken from above;

FIG. 7 is a plan view thereof taken from below;

FIG. 8 is a perspective view of a second embodiment, according to the invention;

FIG. 9 is a front view thereof;

FIG. 10 is a rear view thereof;

FIG. 11 is a right side view thereof;

FIG. 12 is a left side view thereof;

FIG. 13 is a plan view thereof taken from above;

FIG. 14 is a plan view thereof taken from below;

FIG. 15 is a perspective view of a third embodiment, according to the invention;

FIG. 16 is a front view thereof;

FIG. 17 is a rear view thereof;

FIG. 18 is a right side view thereof;

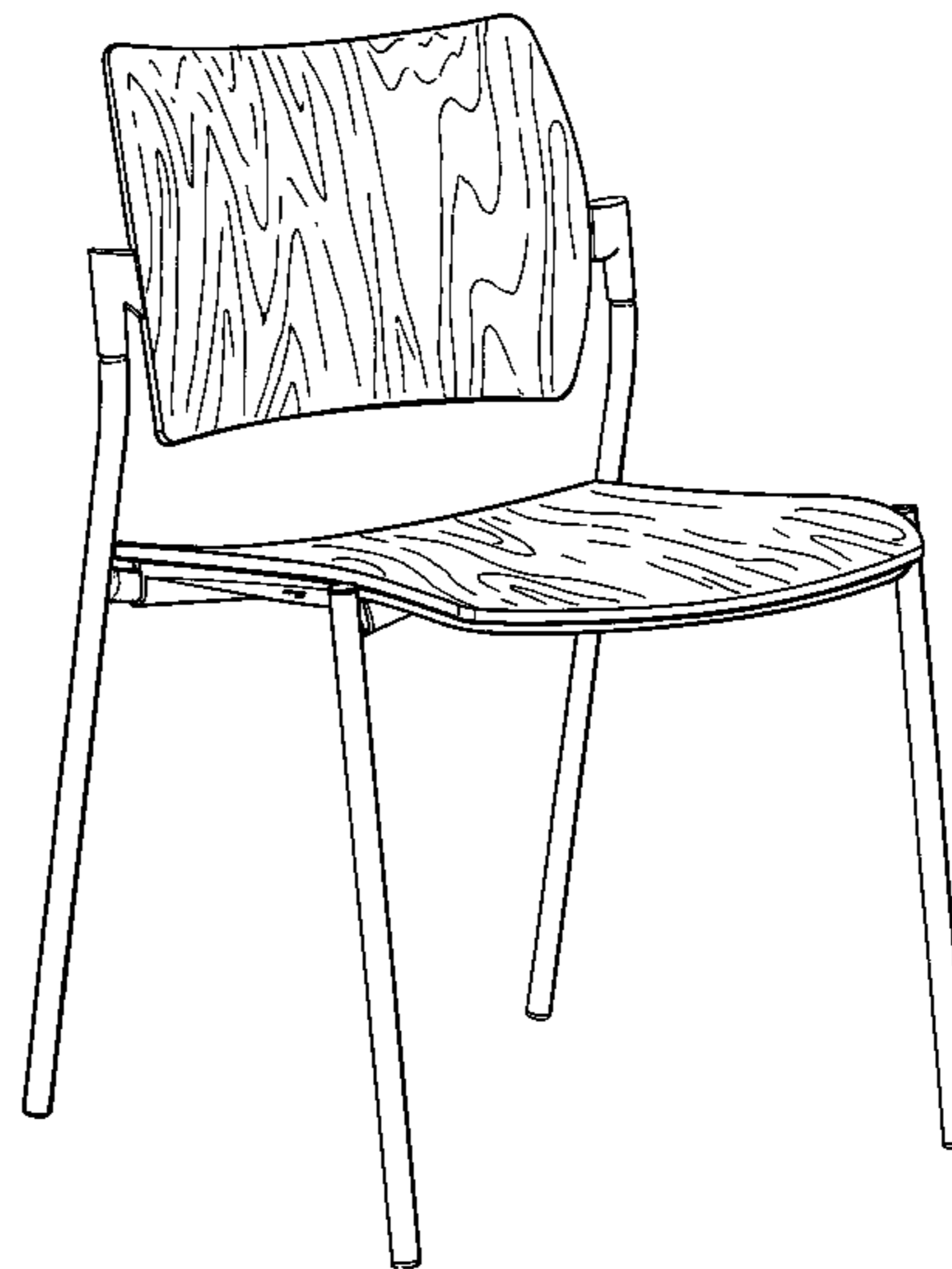
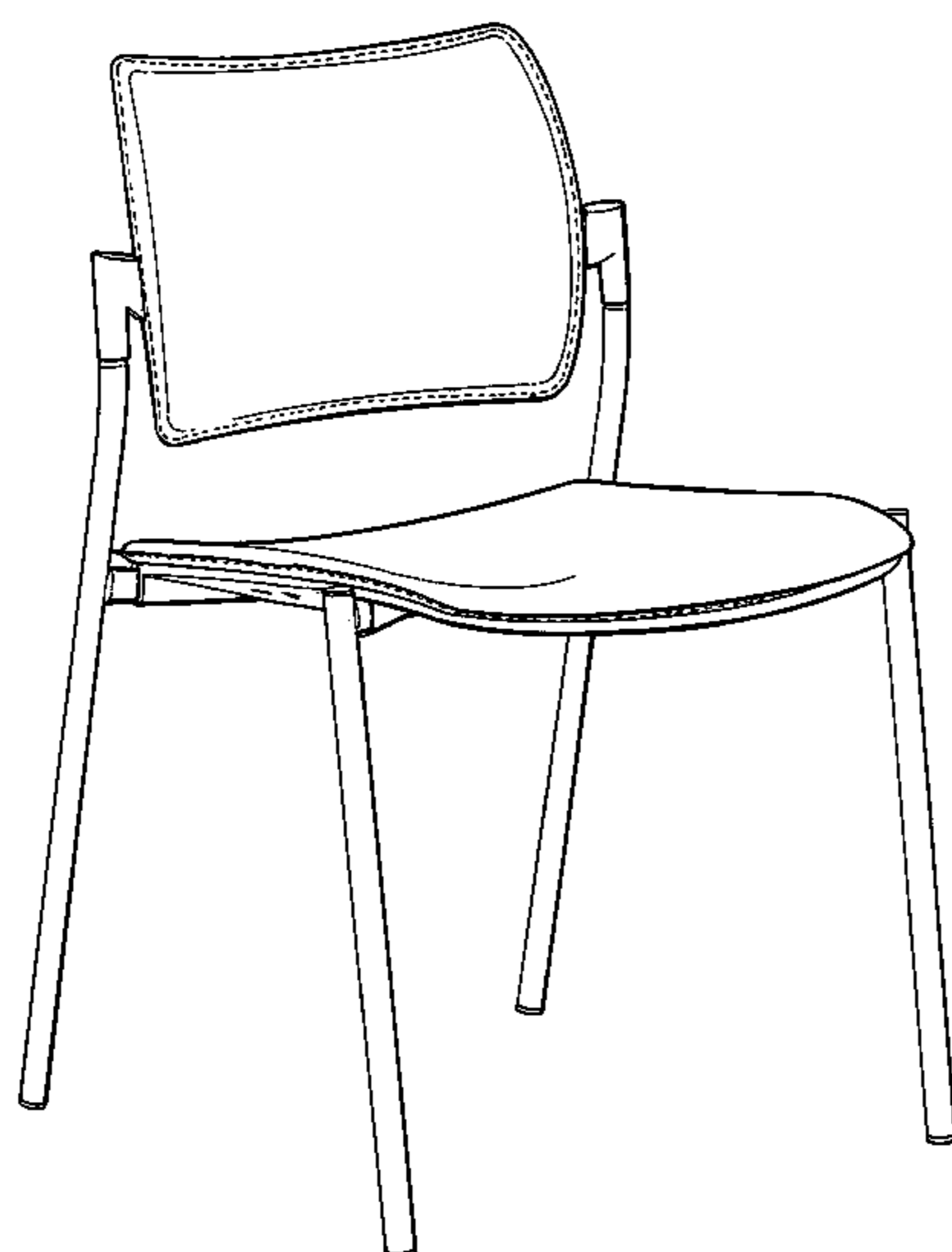
FIG. 19 is a left side view thereof;

FIG. 20 is a plan view thereof taken from above; and,

FIG. 21 is a plan view thereof taken from below.

The broken lines shown in the drawing represent stitching.

1 Claim, 21 Drawing Sheets



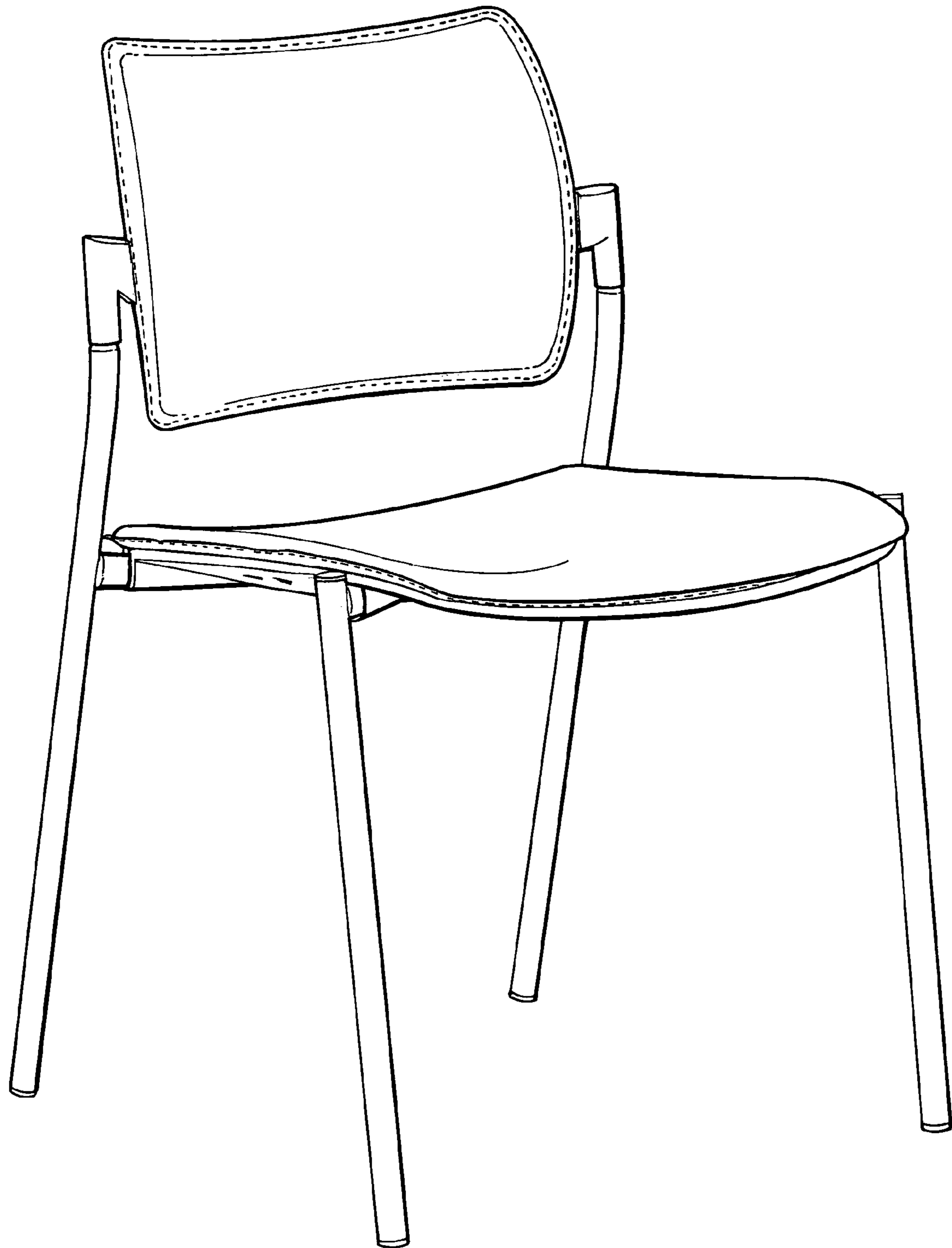


FIG. 1

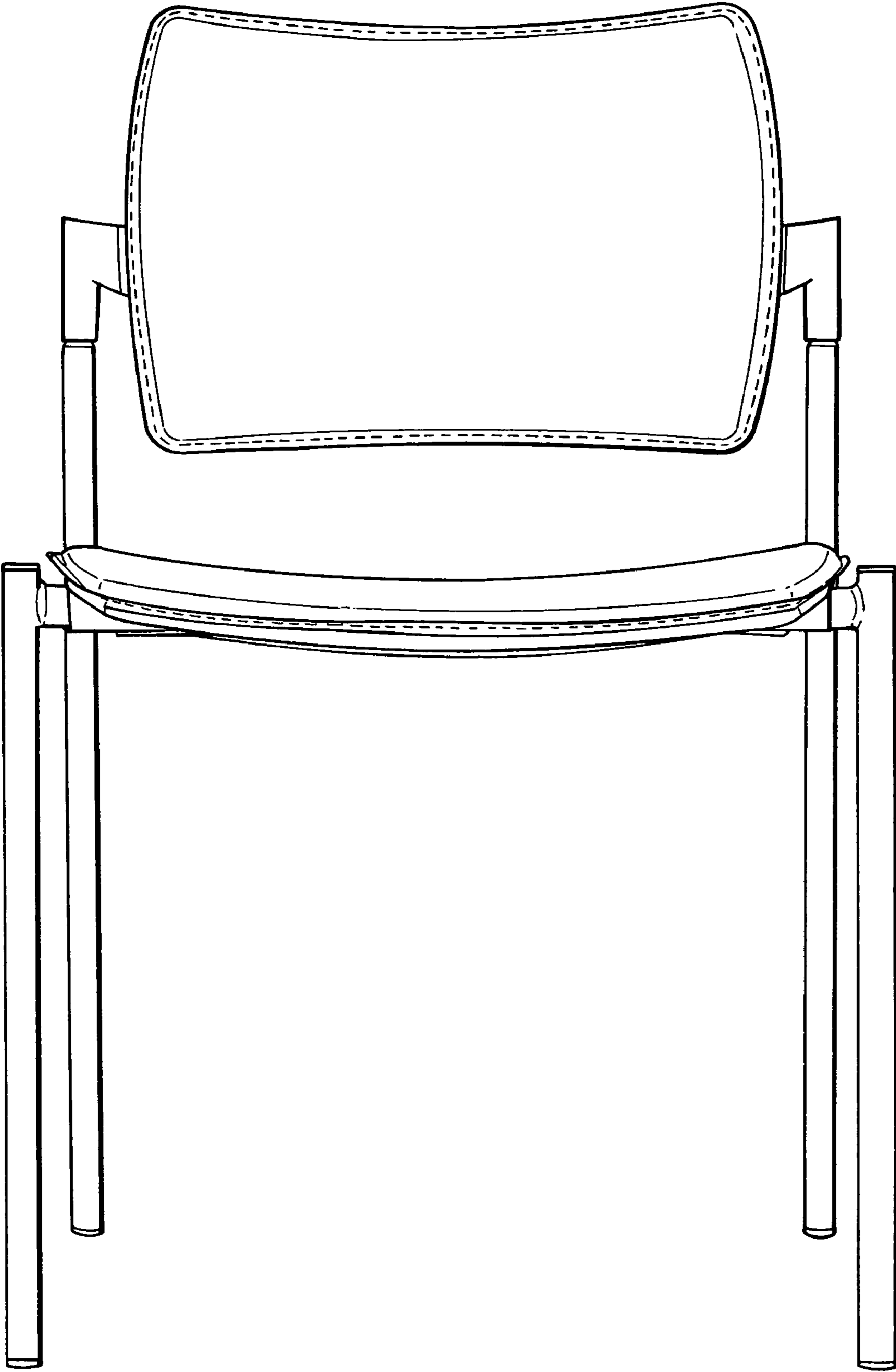


FIG. 2

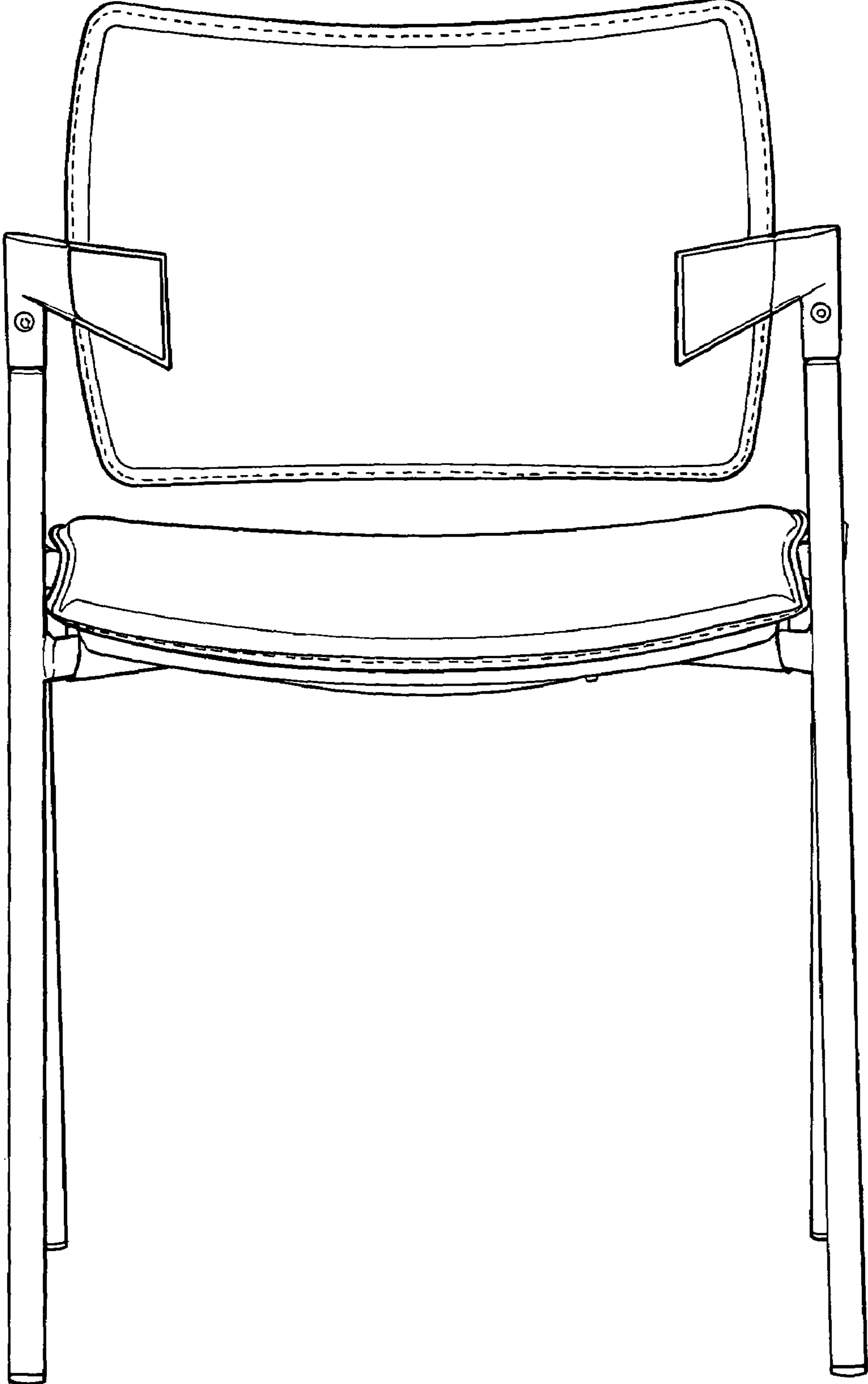


FIG. 3

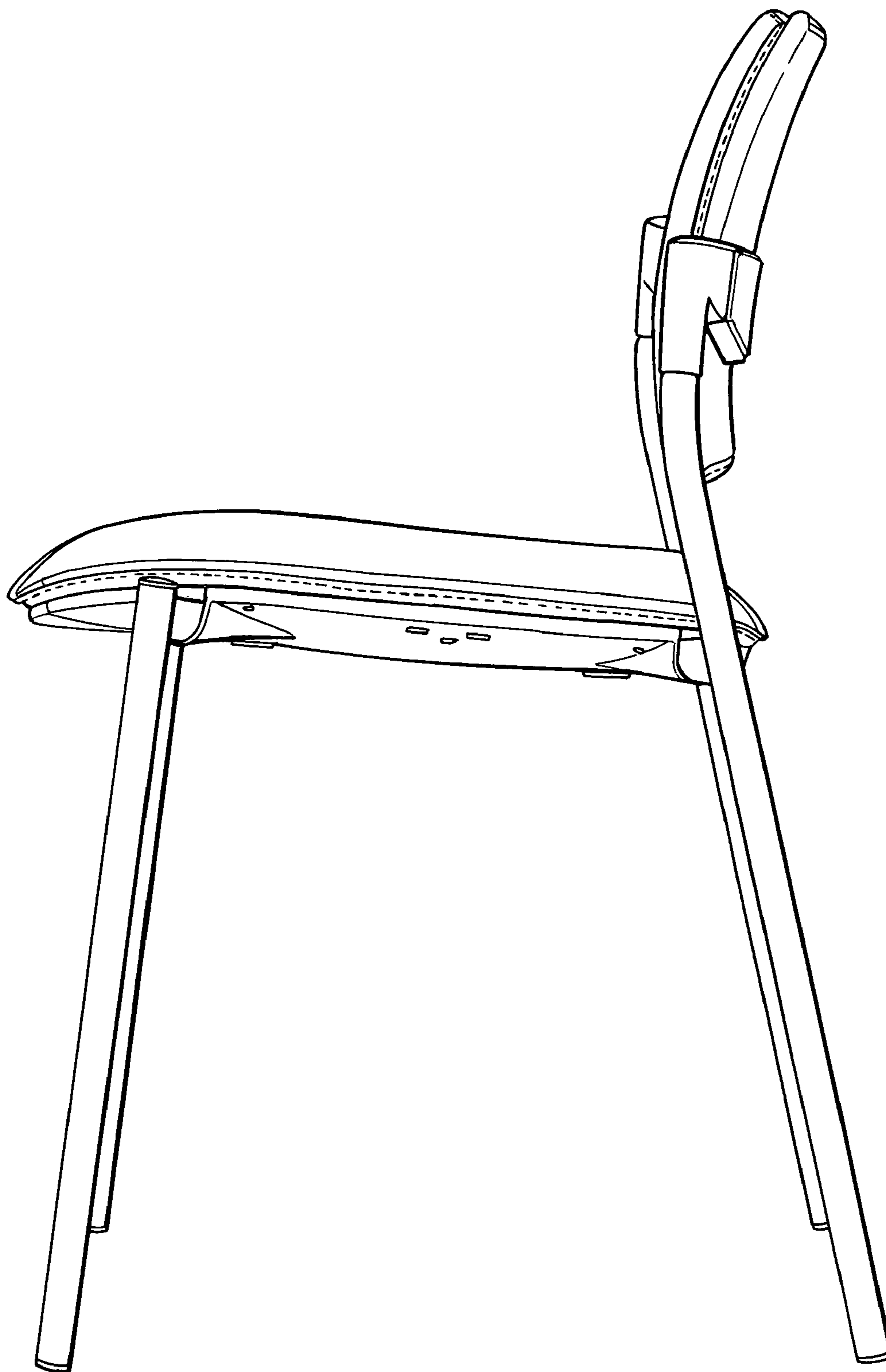


FIG. 4

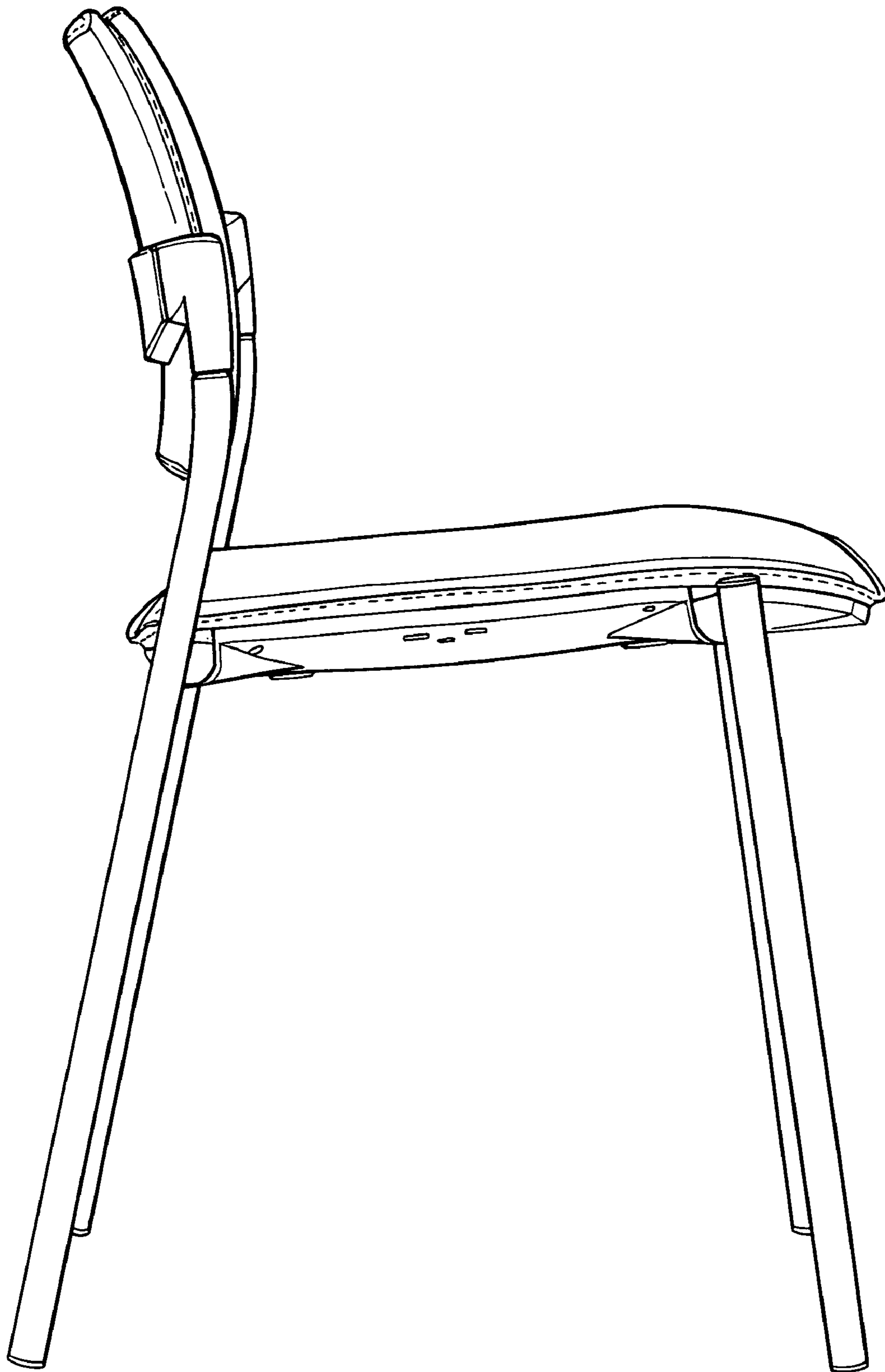


FIG. 5

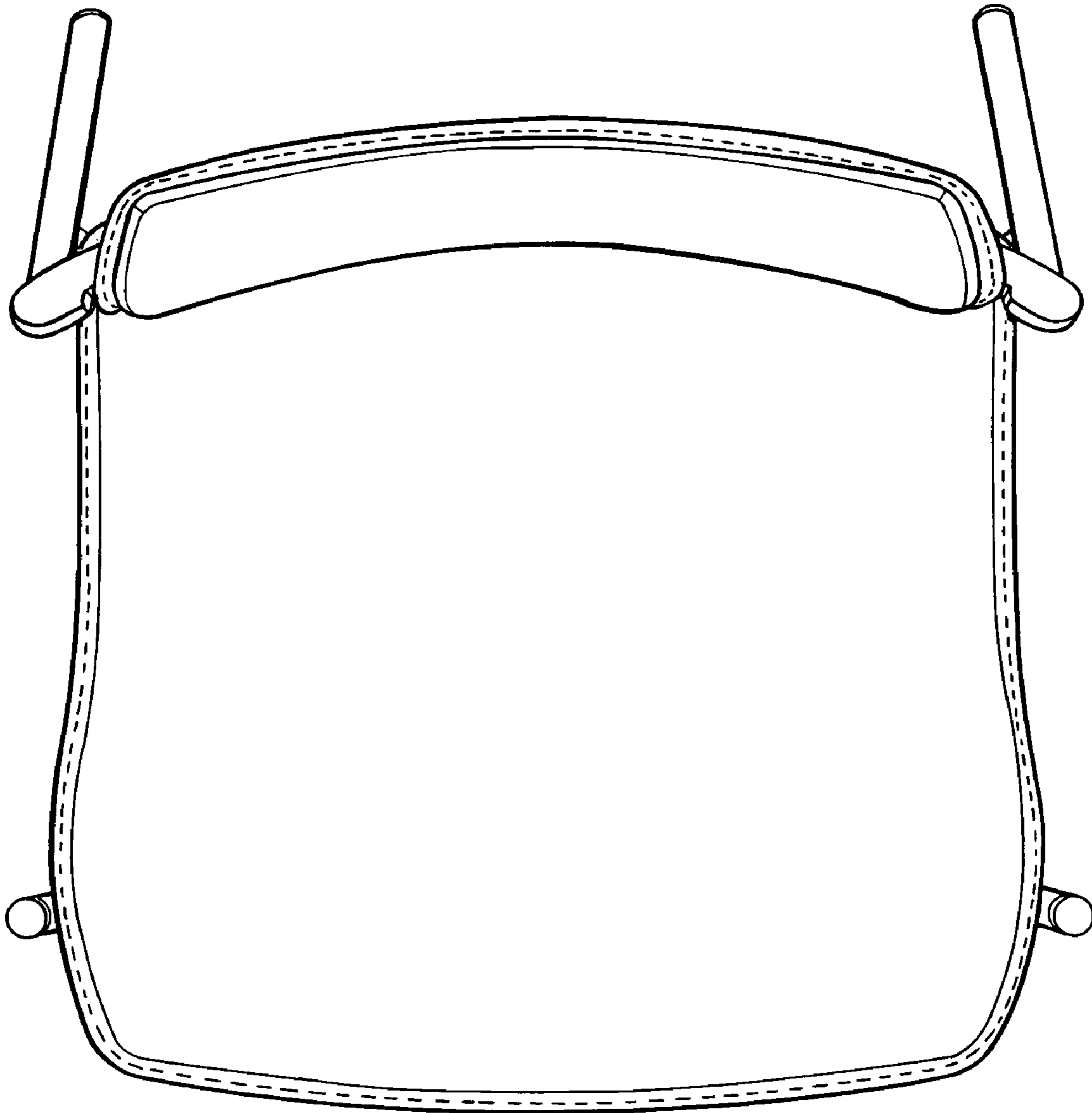


FIG. 6

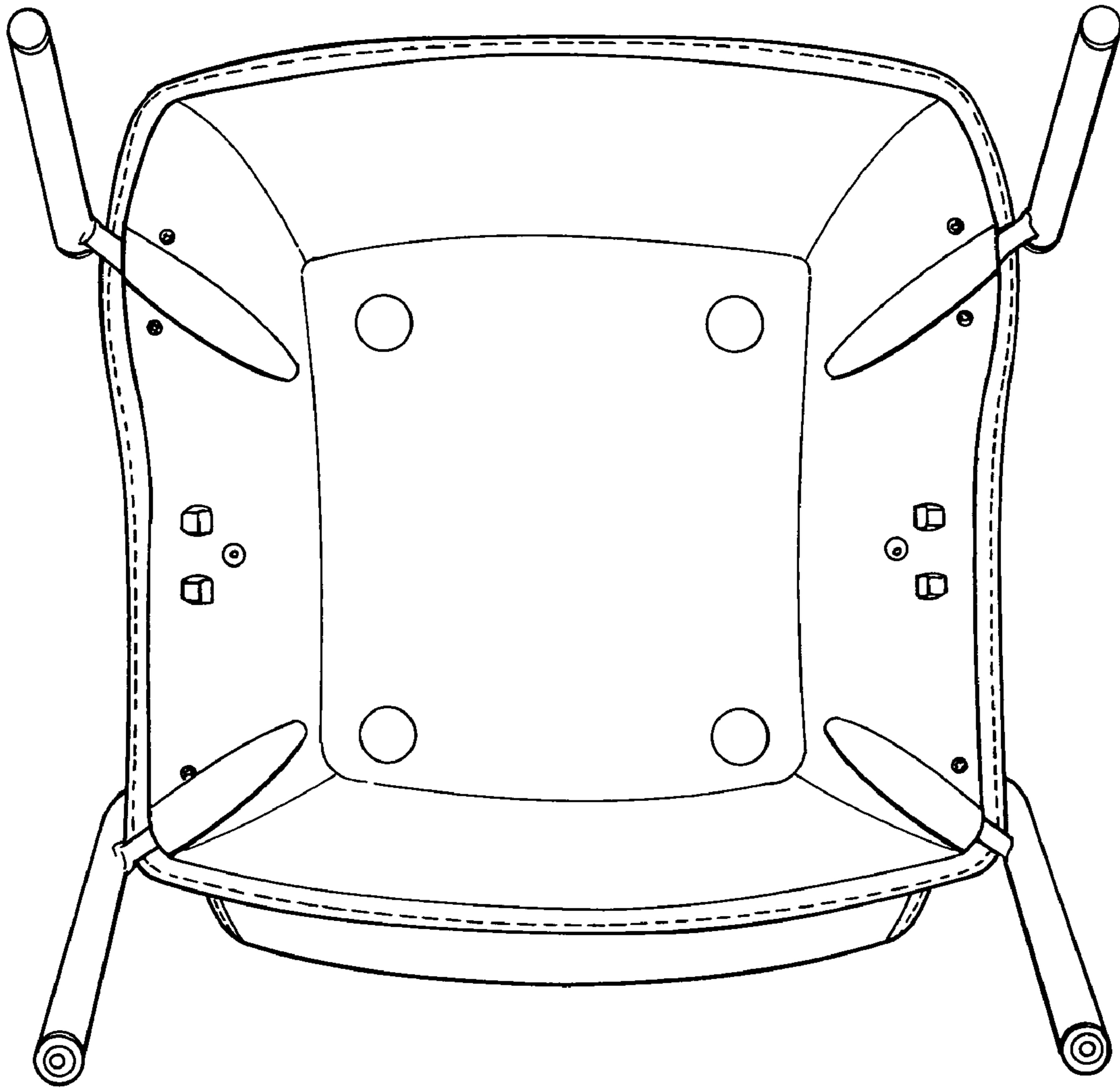


FIG. 7

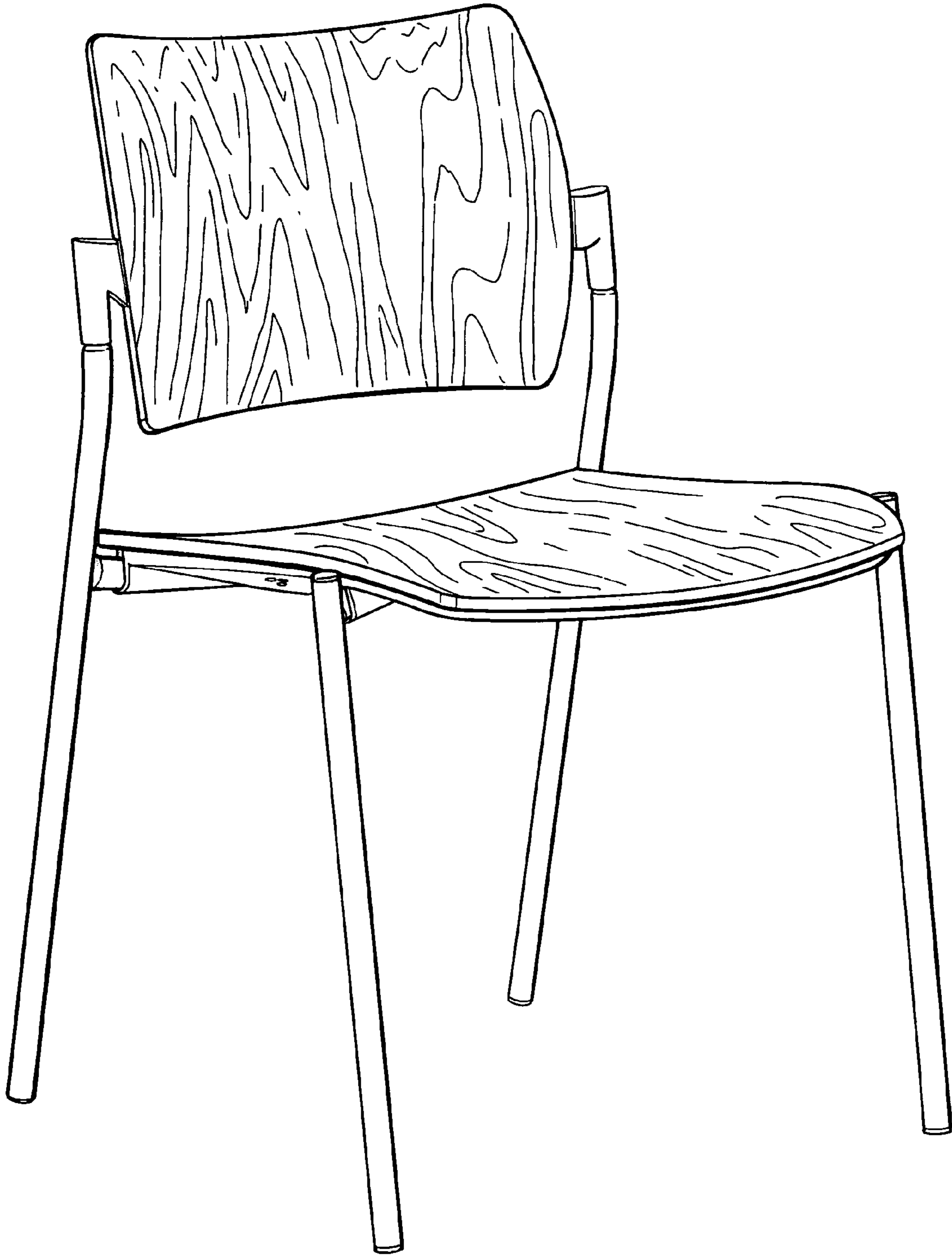


FIG. 8

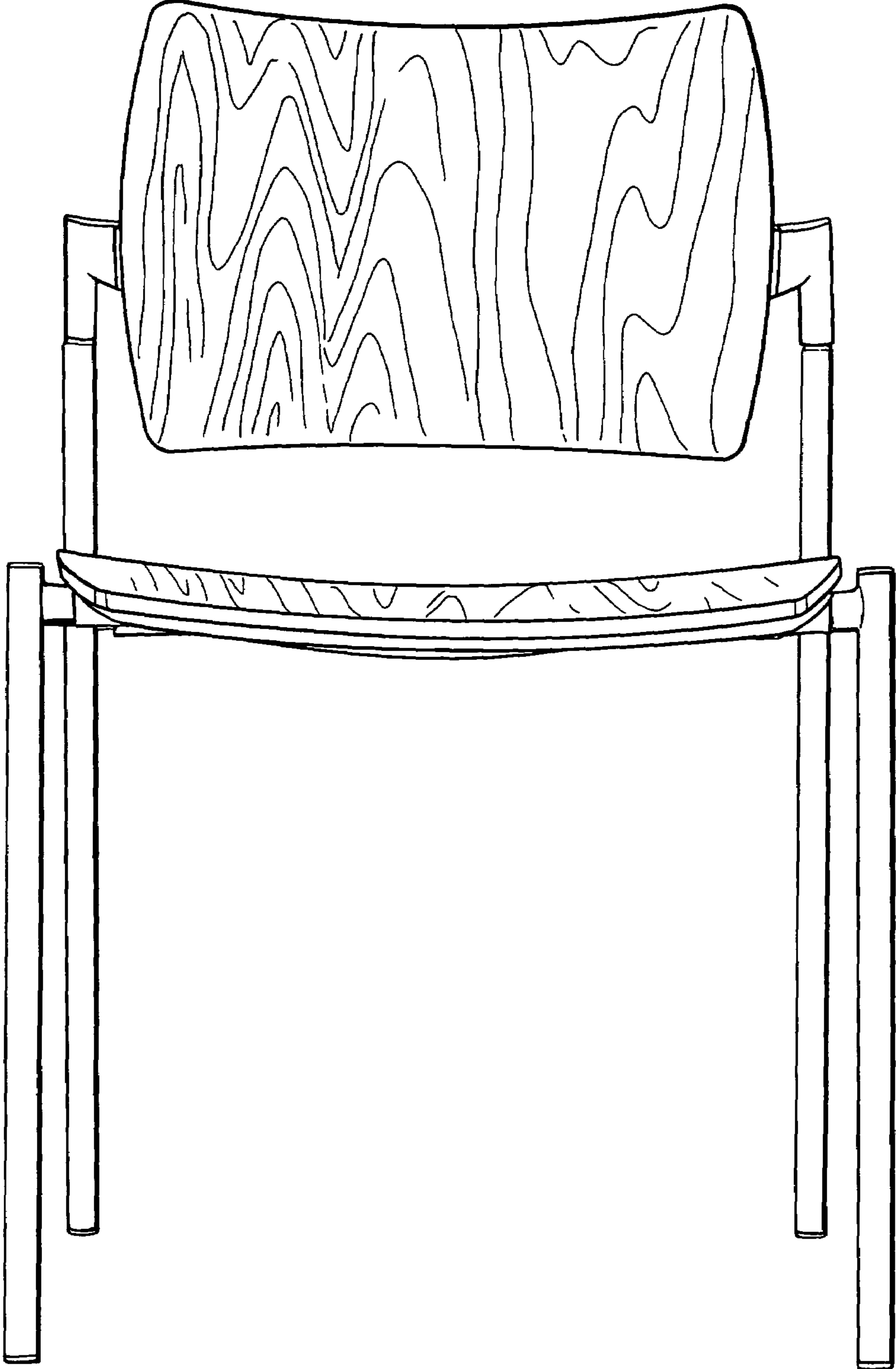


FIG. 9

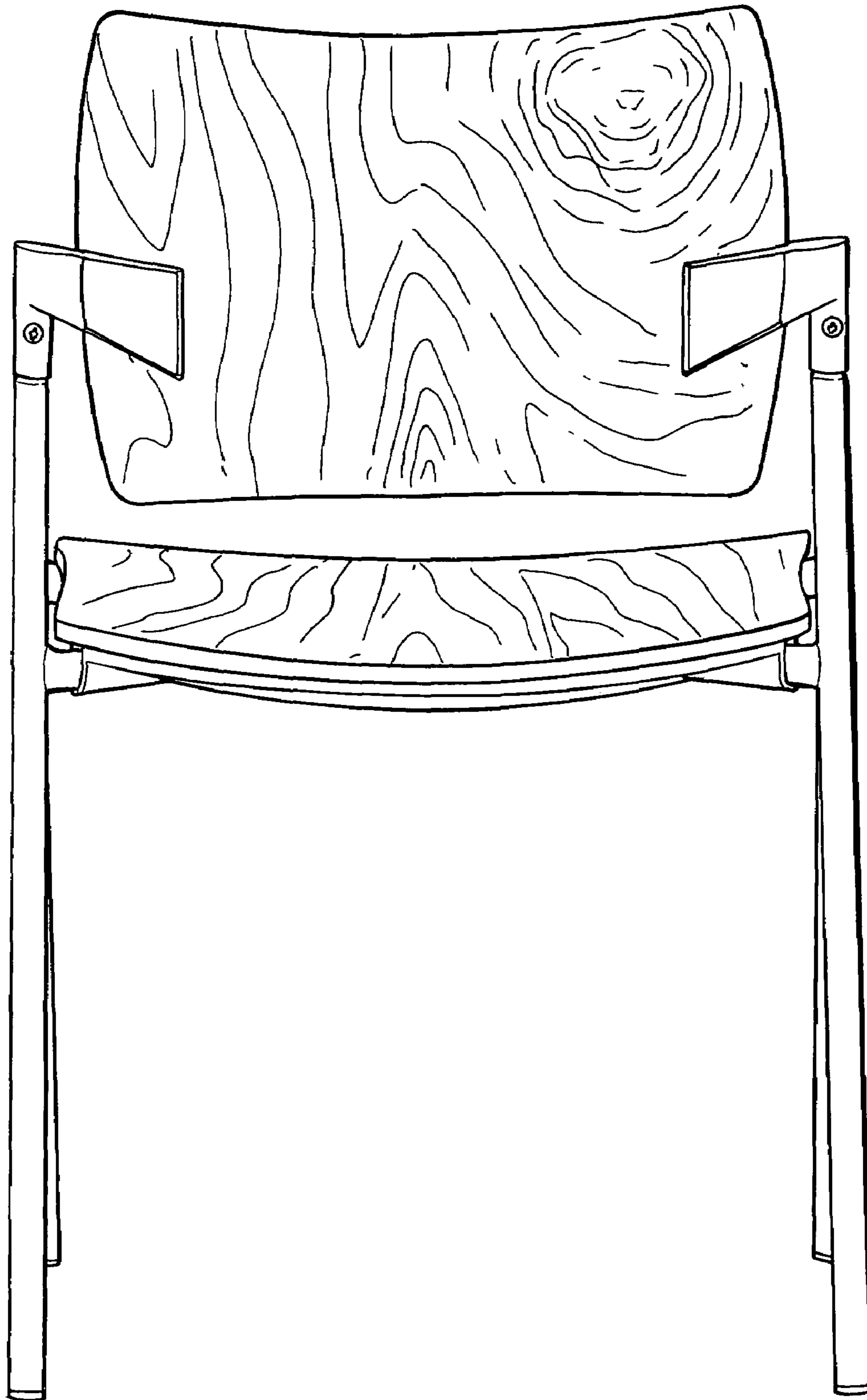


FIG.10

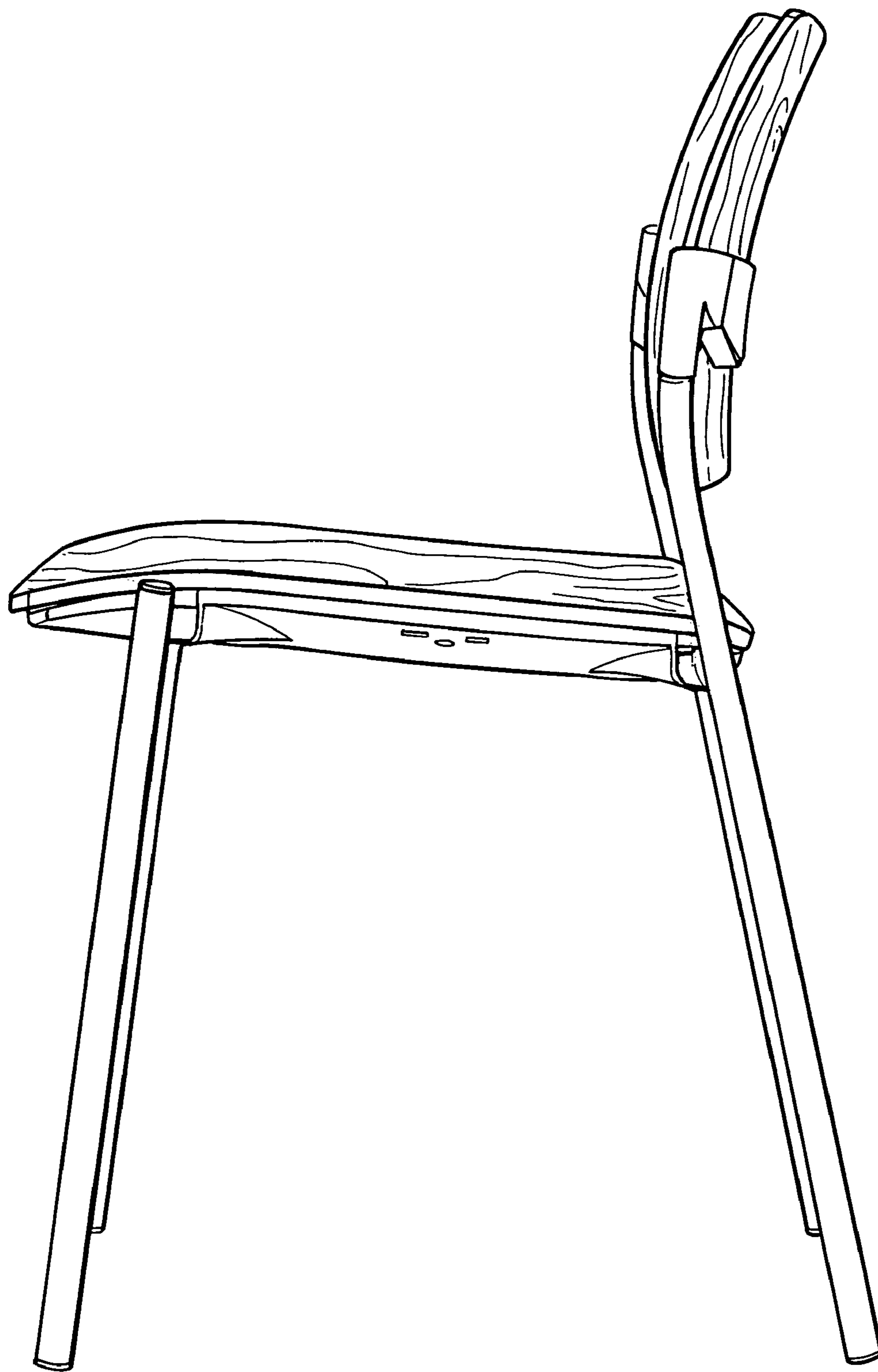


FIG. 11

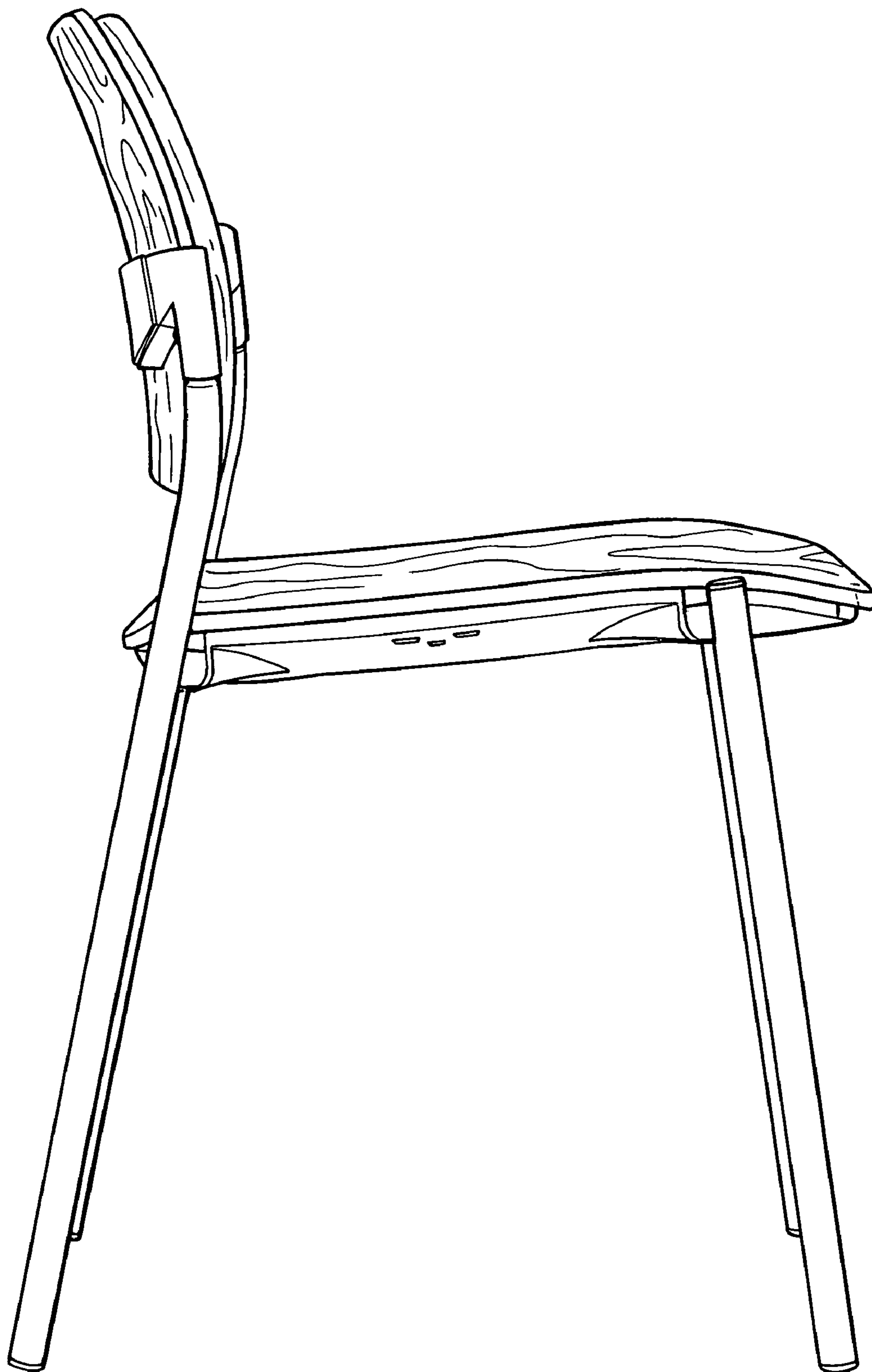


FIG. 12

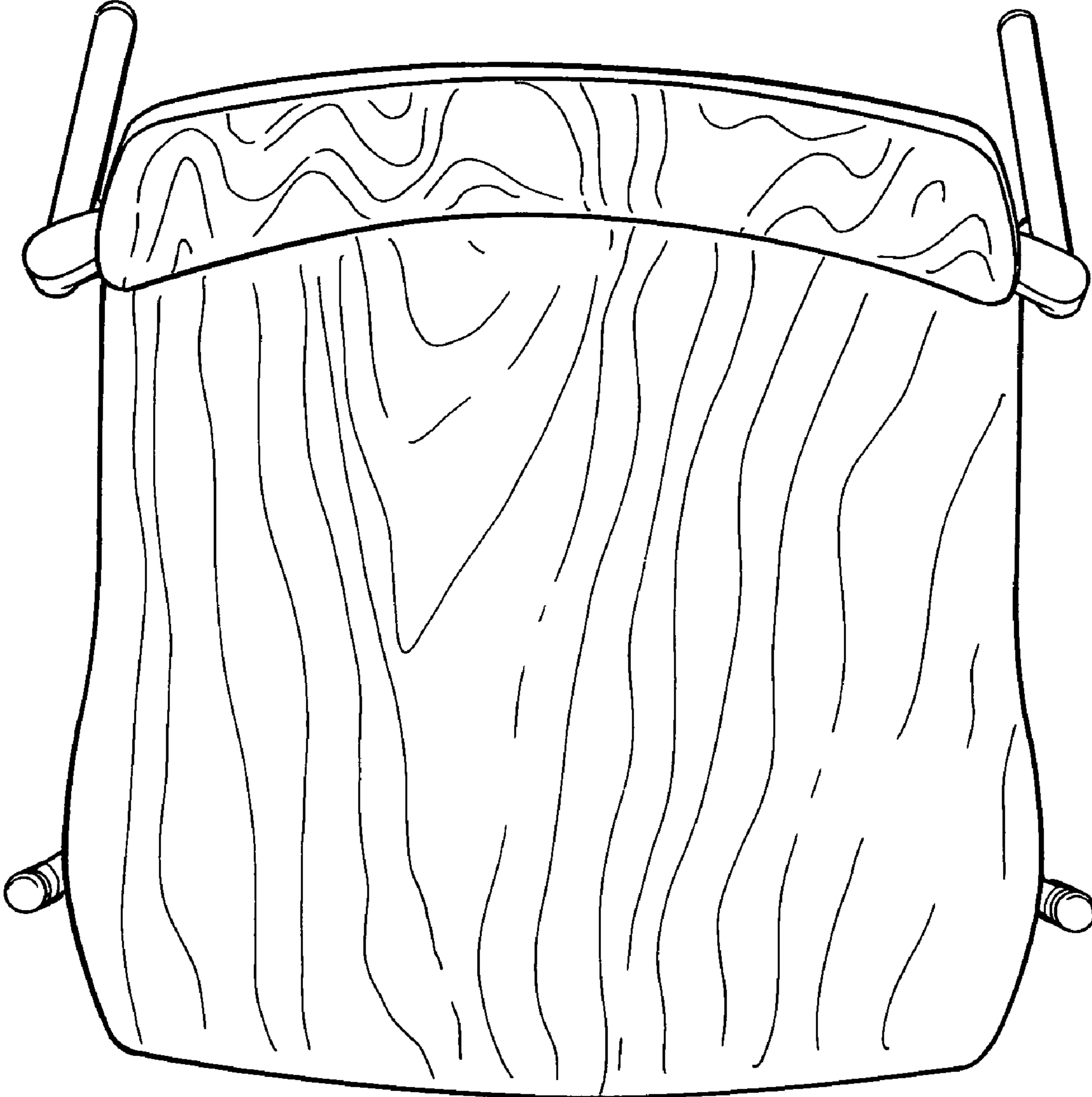


FIG. 13

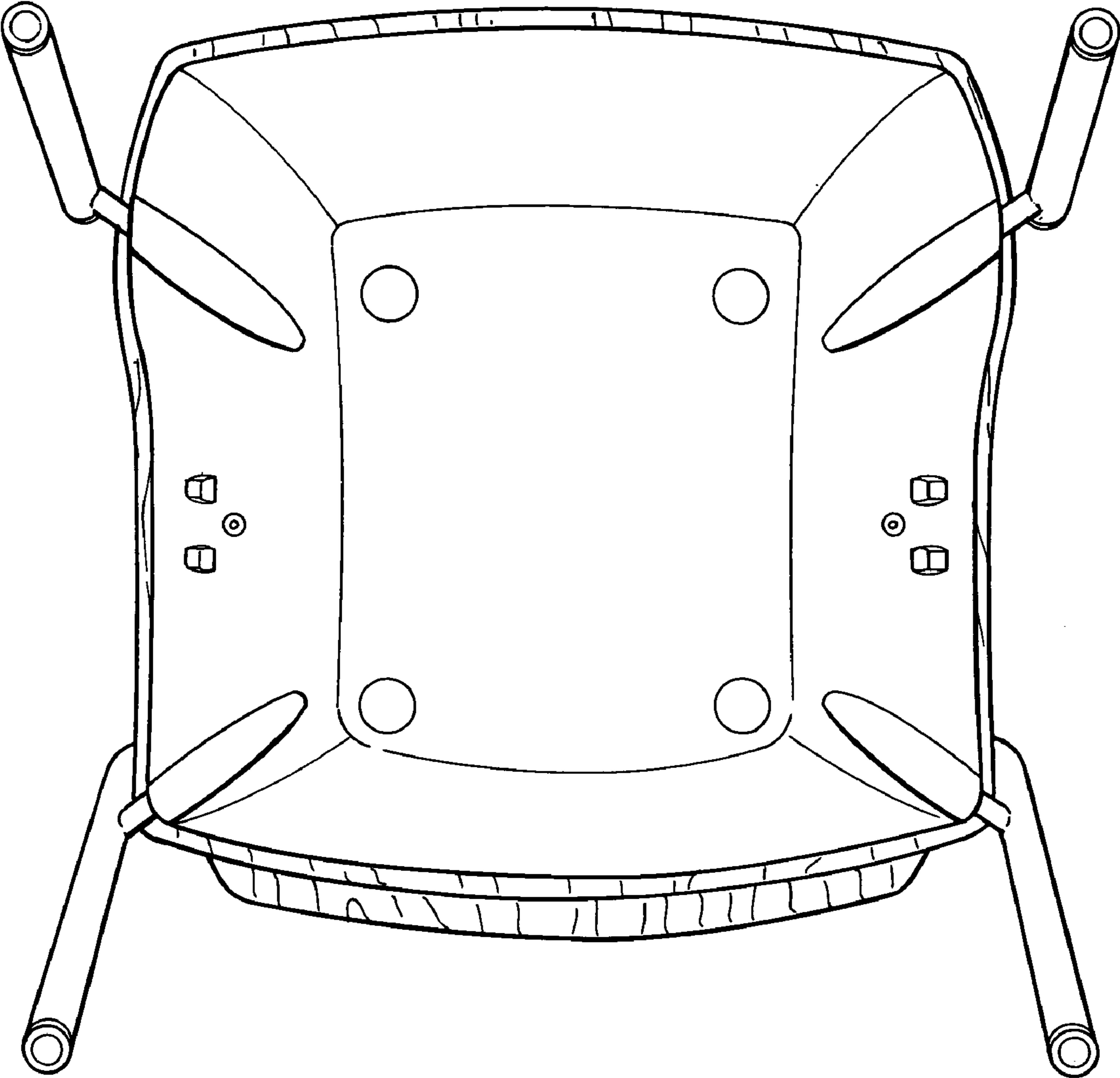


FIG.14



FIG. 15

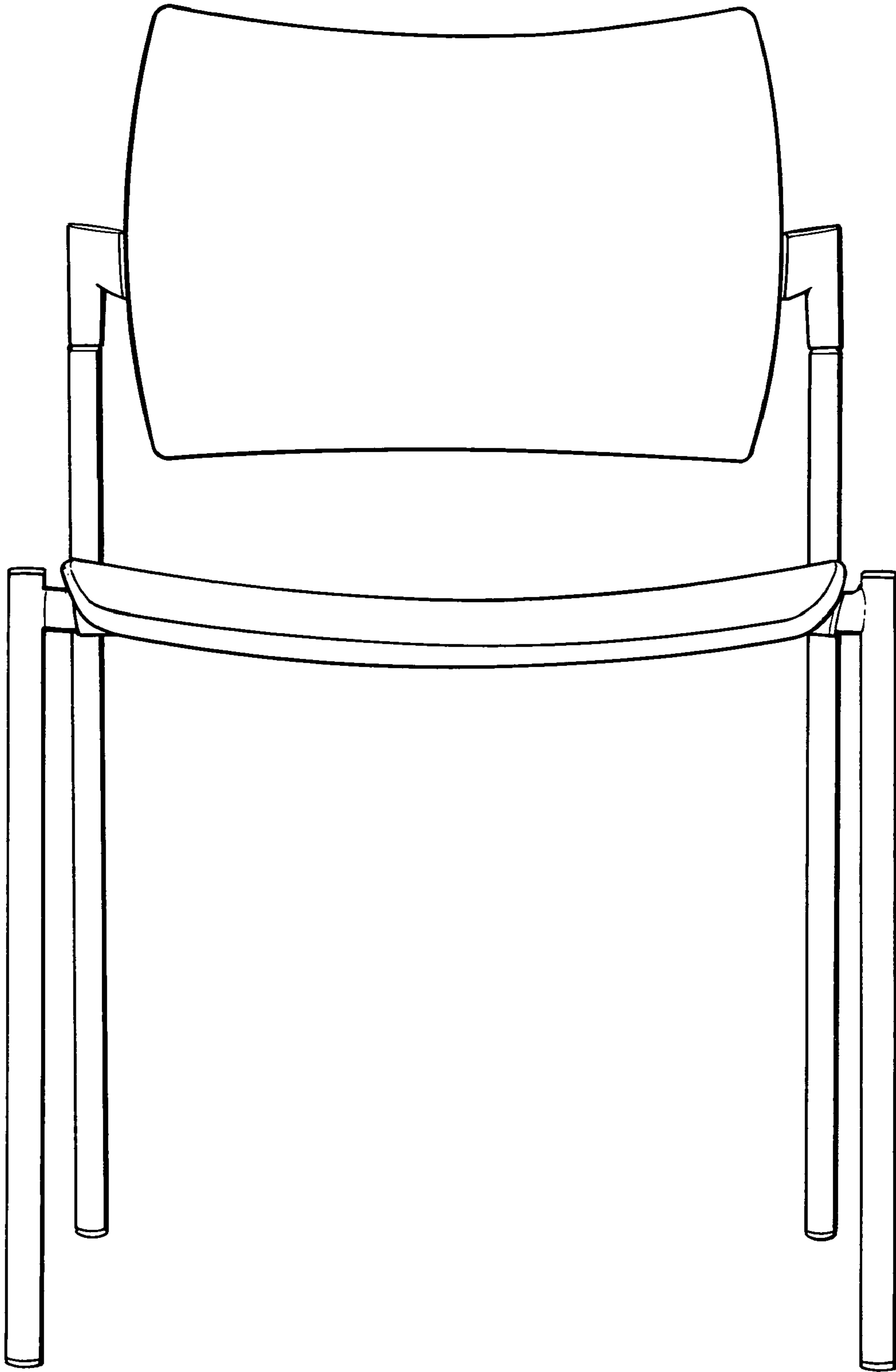


FIG.16

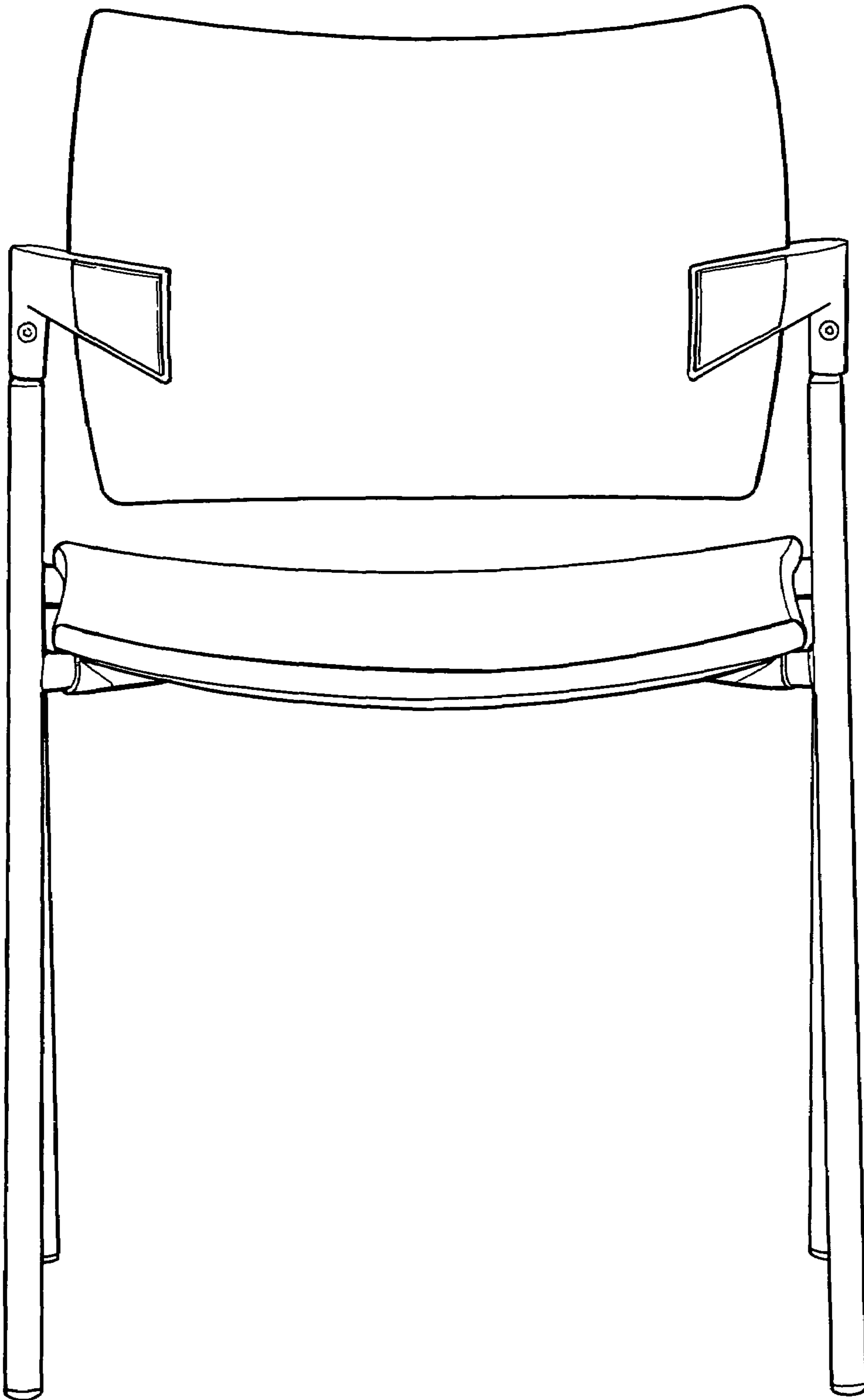


FIG.17

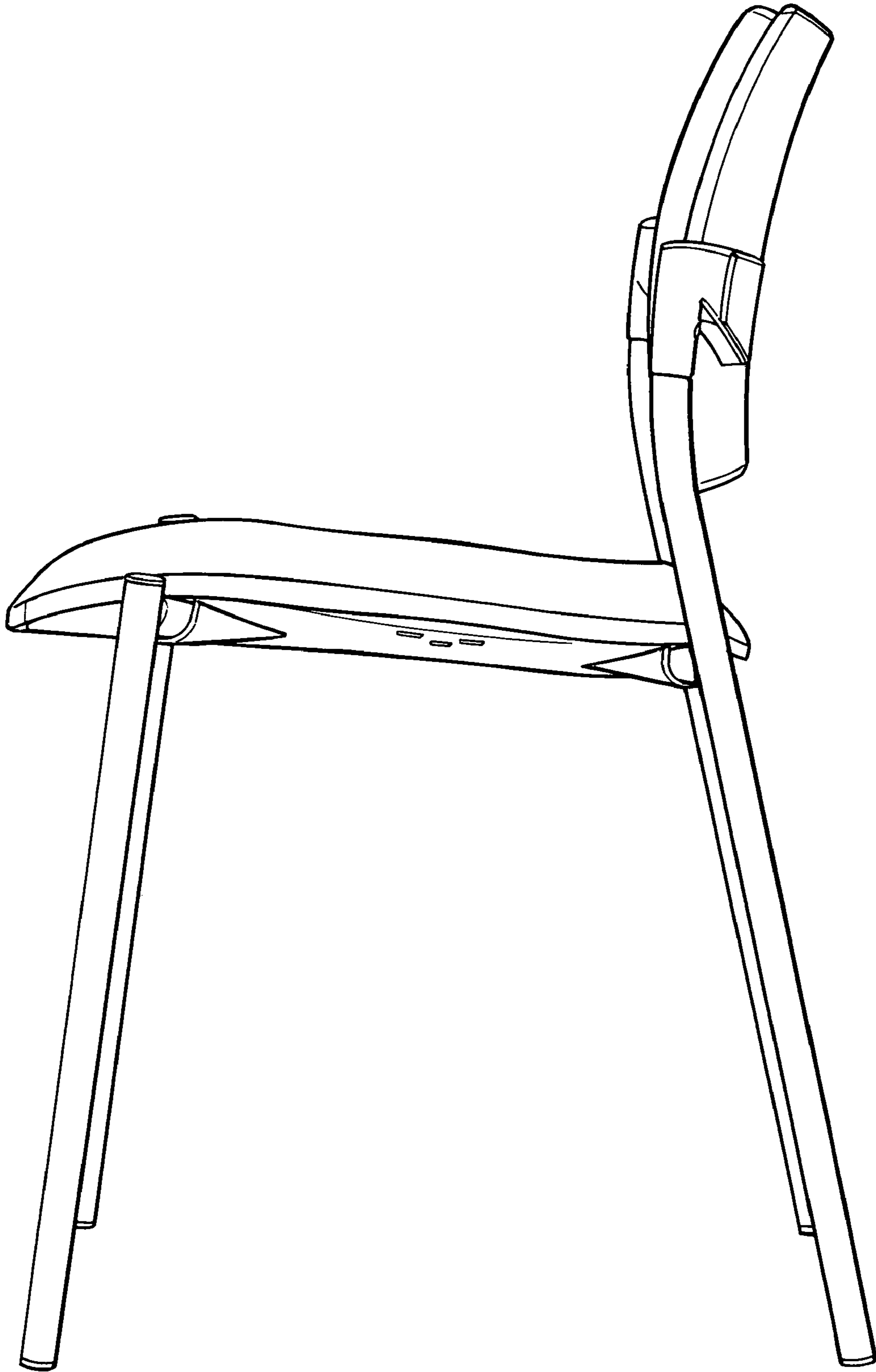


FIG.18

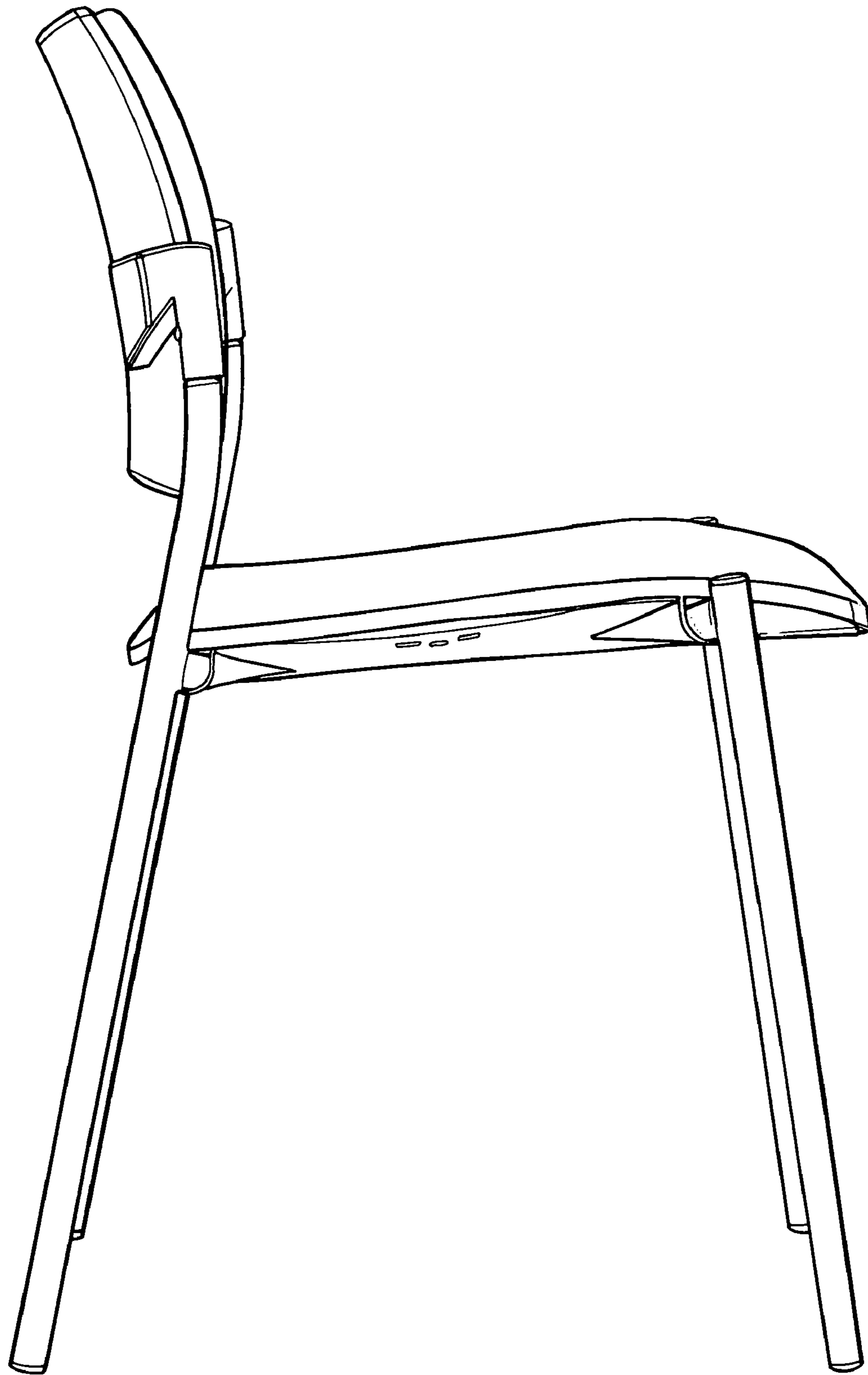


FIG. 19

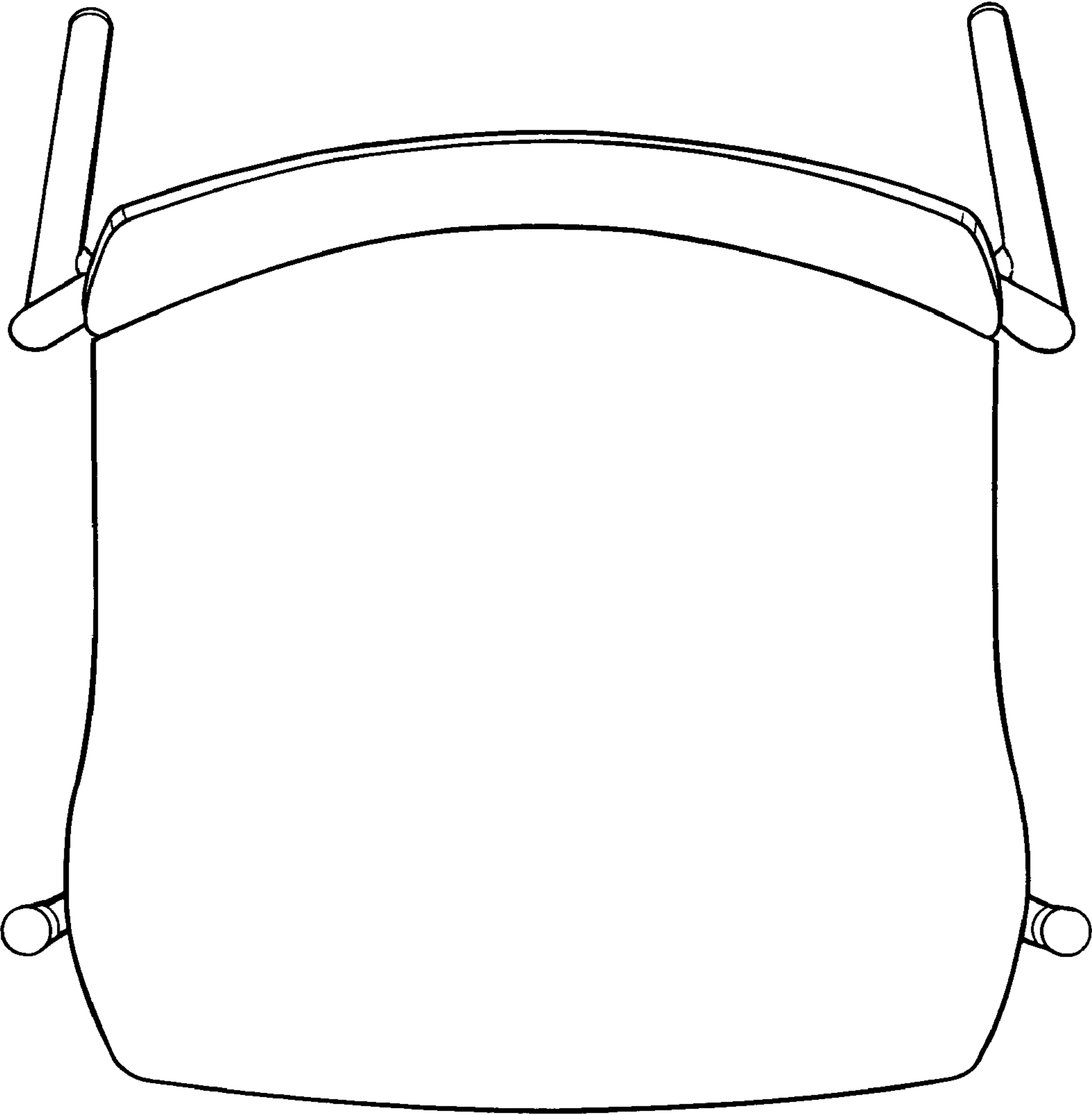


FIG.20

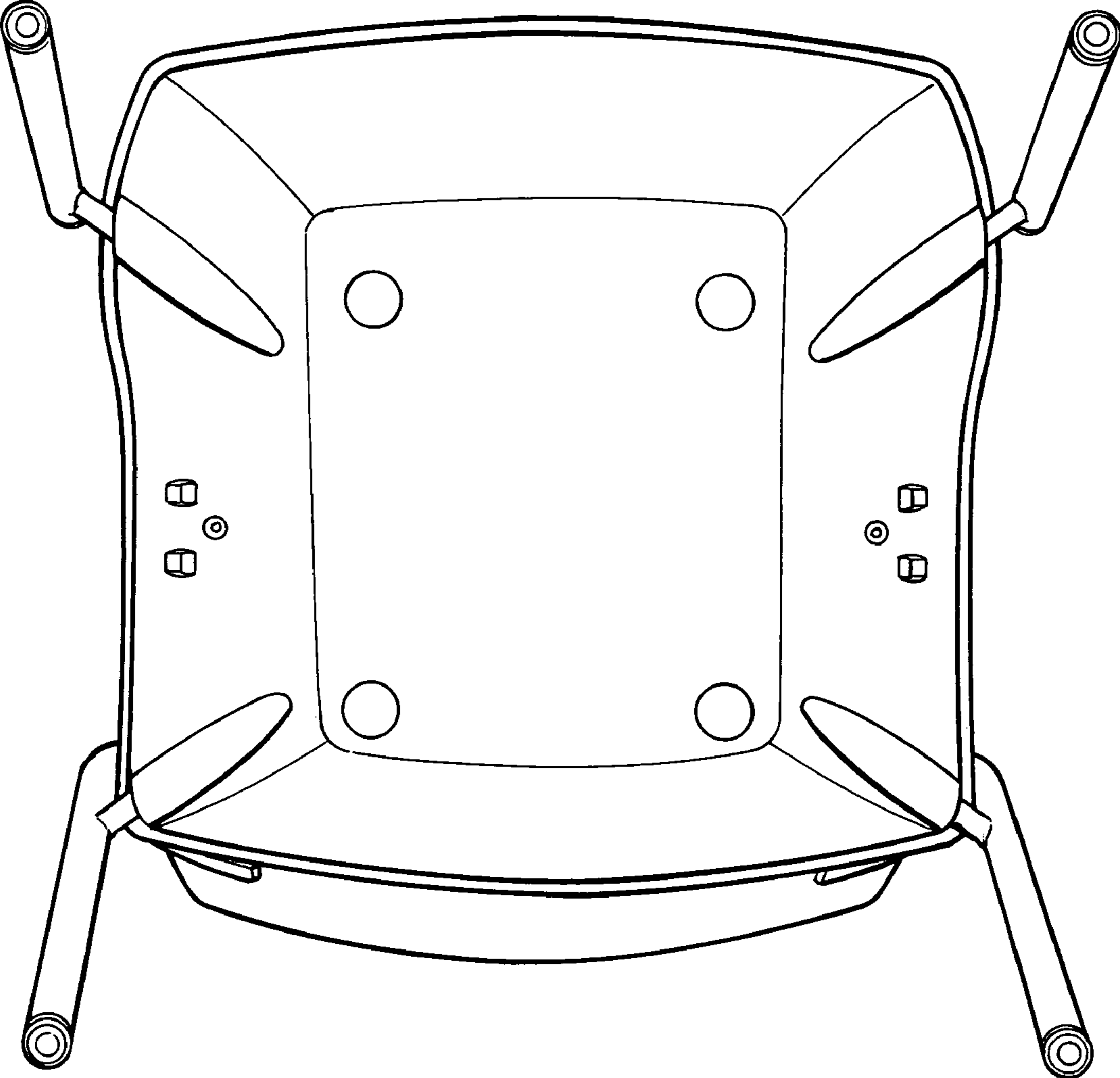


FIG. 21