



US00D591962S

(12) **United States Design Patent**  
**Medlock**

(10) **Patent No.:** **US D591,962 S**  
(45) **Date of Patent:** **\*\* May 12, 2009**

(54) **HUNTING SEAT/BACKPACK**

(76) **Inventor:** **Thomas V. Medlock**, 2861 Watchtower  
Approach, Marietta, GA (US) 30064

(\*\*) **Term:** **14 Years**

(21) **Appl. No.:** **29/327,183**

(22) **Filed:** **Oct. 31, 2008**

(51) **LOC (9) Cl.** ..... **06-01**

(52) **U.S. Cl.** ..... **D6/335**

(58) **Field of Classification Search** ..... D6/334,  
D6/335, 349, 353, 368, 371, 377, 381, 382,  
D6/383, 500-503, 361; 297/16.1, 16.2, 34,  
297/42, 44, 63, 232, 233, 350, 351, 353,  
297/354.1, 445.1, 448.1, 448.2; 5/12.1, 12.2  
See application file for complete search history.

(56) **References Cited**

**U.S. PATENT DOCUMENTS**

D246,620	S	*	12/1977	Dranger et al.	.....	D6/375
4,676,548	A	*	6/1987	Bradbury	.....	297/129
4,947,498	A	*	8/1990	Van Boxtel	.....	5/113
5,016,792	A	*	5/1991	Jay	.....	224/155
5,139,308	A	*	8/1992	Ziman	.....	297/188.06
D343,525	S	*	1/1994	Wright	.....	D6/368
5,318,342	A	*	6/1994	Hale	.....	297/129
5,501,505	A	*	3/1996	Jablonski	.....	297/4
D373,475	S	*	9/1996	Sullivan	.....	D6/335

5,588,696	A	*	12/1996	Jay et al.	.....	297/129
D377,574	S	*	1/1997	Mades	.....	D6/601
D394,356	S	*	5/1998	Chen	.....	D6/361
D430,747	S	*	9/2000	Hill	.....	D6/368

\* cited by examiner

*Primary Examiner*—Sandra Snapp  
(74) *Attorney, Agent, or Firm*—Thomas, Kayden,  
Horstemeyer & Risley, LLP

(57) **CLAIM**

The ornamental design for a hunting seat/backpack, as shown and described.

**DESCRIPTION**

FIG. 1 is a perspective view showing my new hunting seat/backpack;

FIG. 2 is right side elevational view thereof, the left side view thereof being a mirror image of that which is shown.

FIG. 3 is a front elevational view thereof;

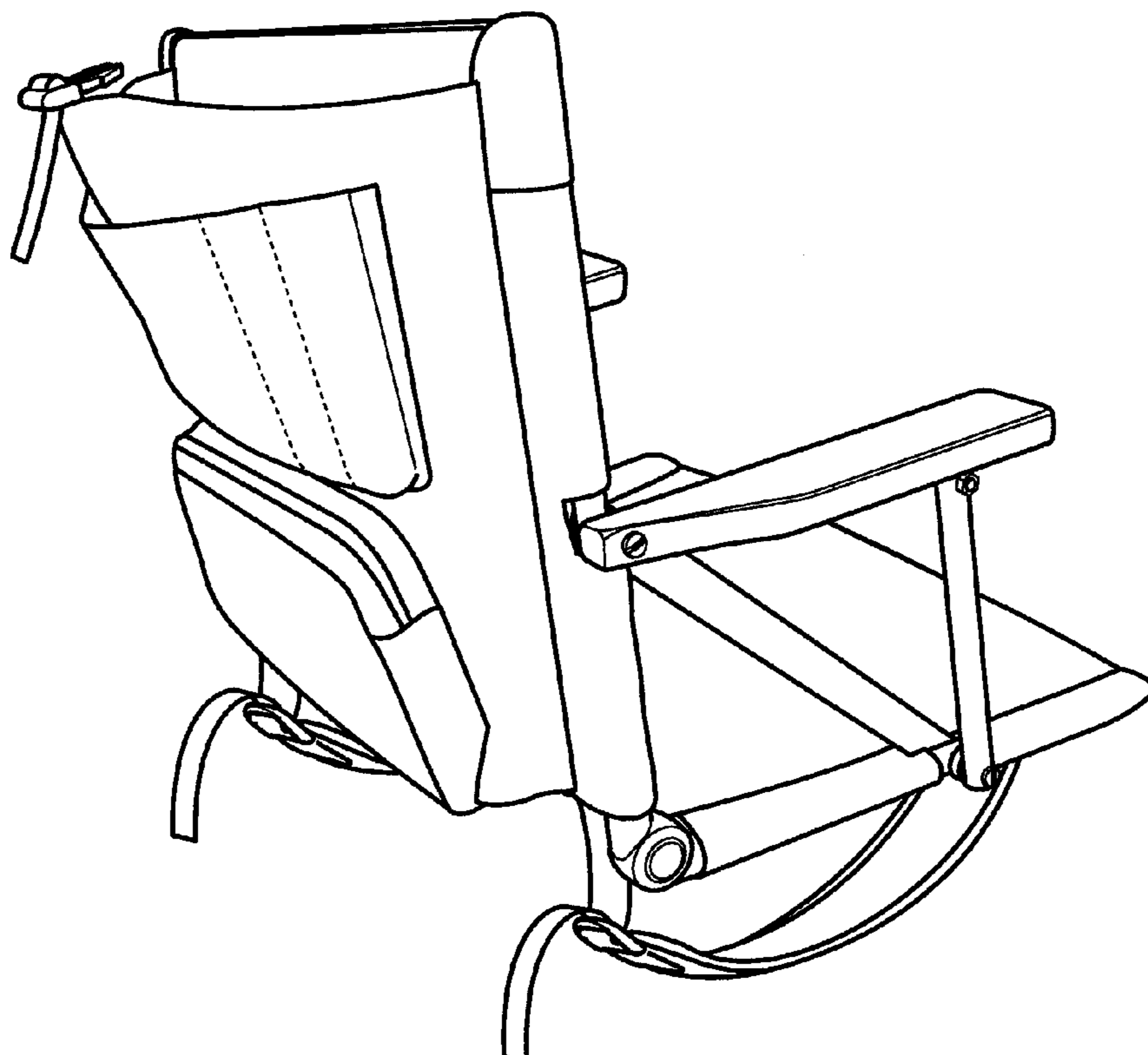
FIG. 4 is a rear elevational view thereof;

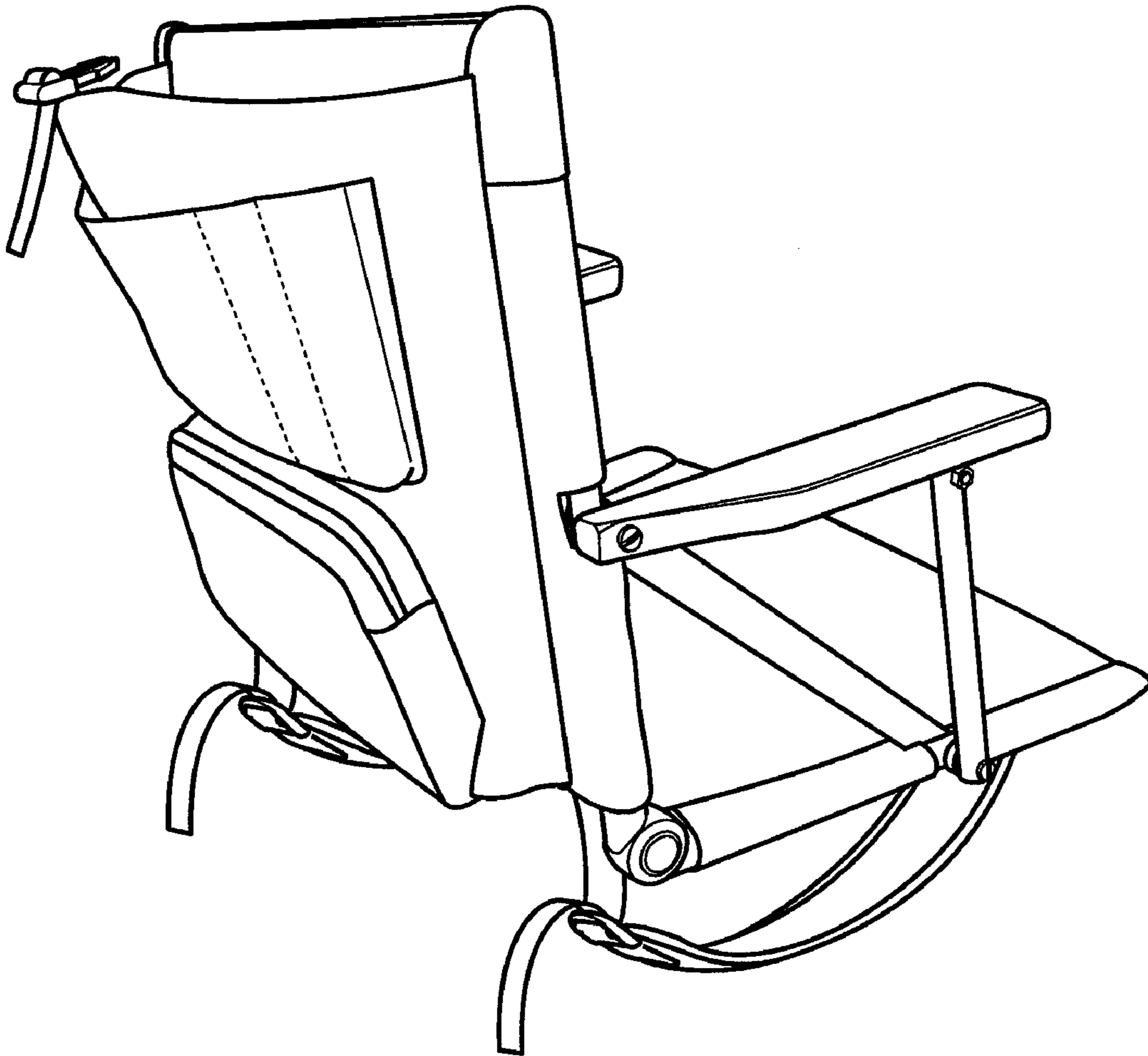
FIG. 5 is a top plan view thereof; and,

FIG. 6 is a bottom plan view thereof.

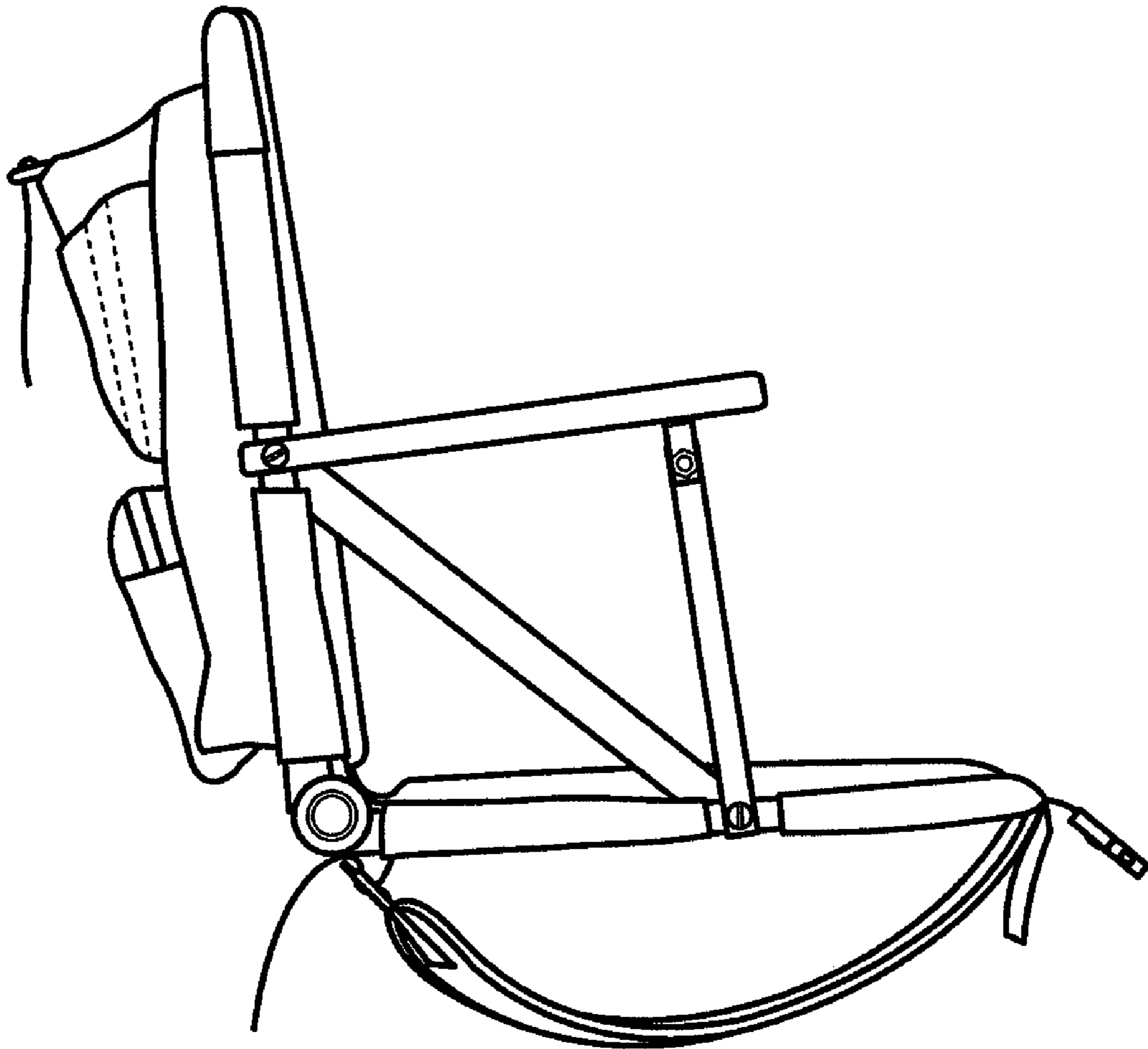
The broken lines shown in the drawings are understood to represent stitching.

**1 Claim, 4 Drawing Sheets**

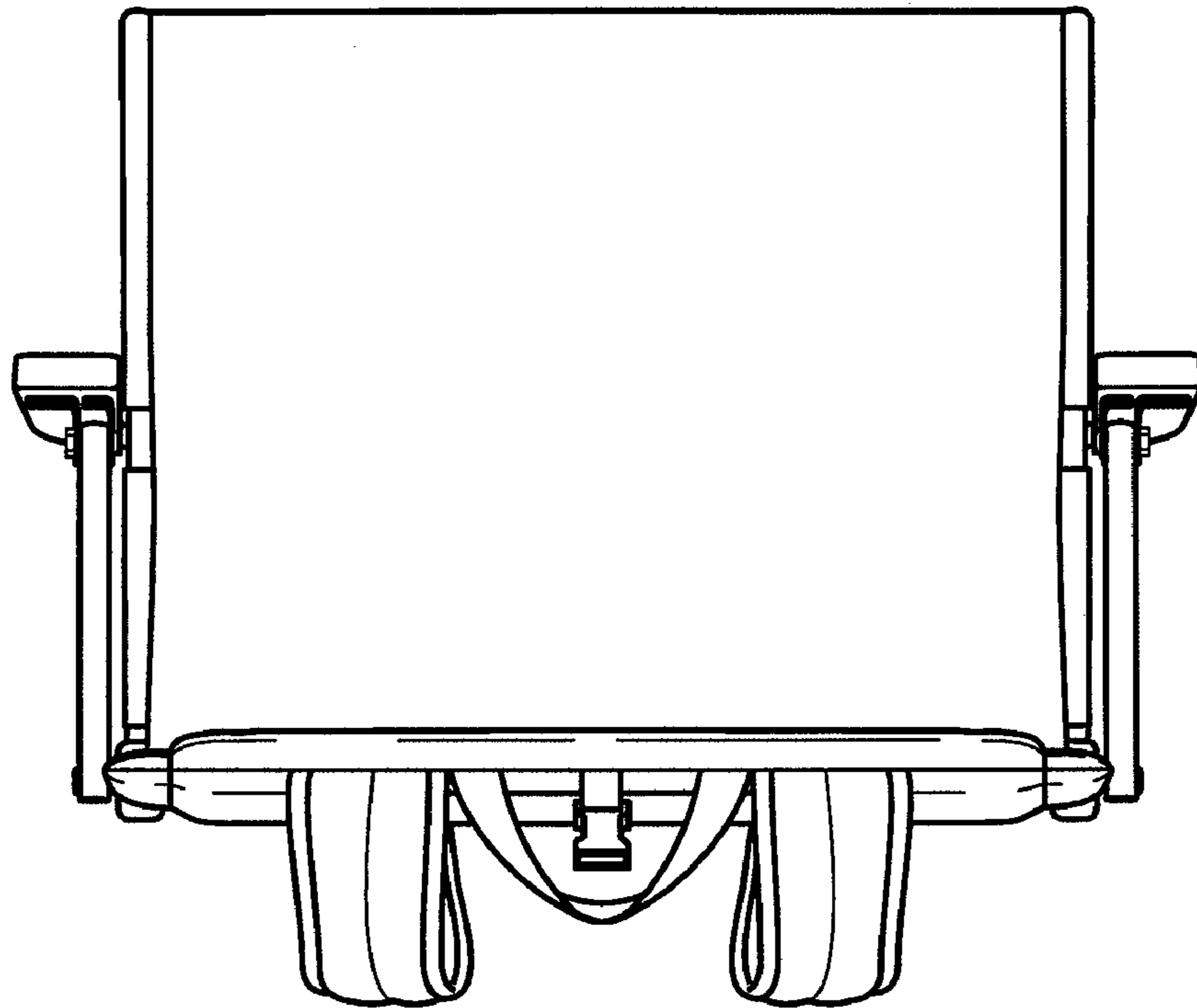




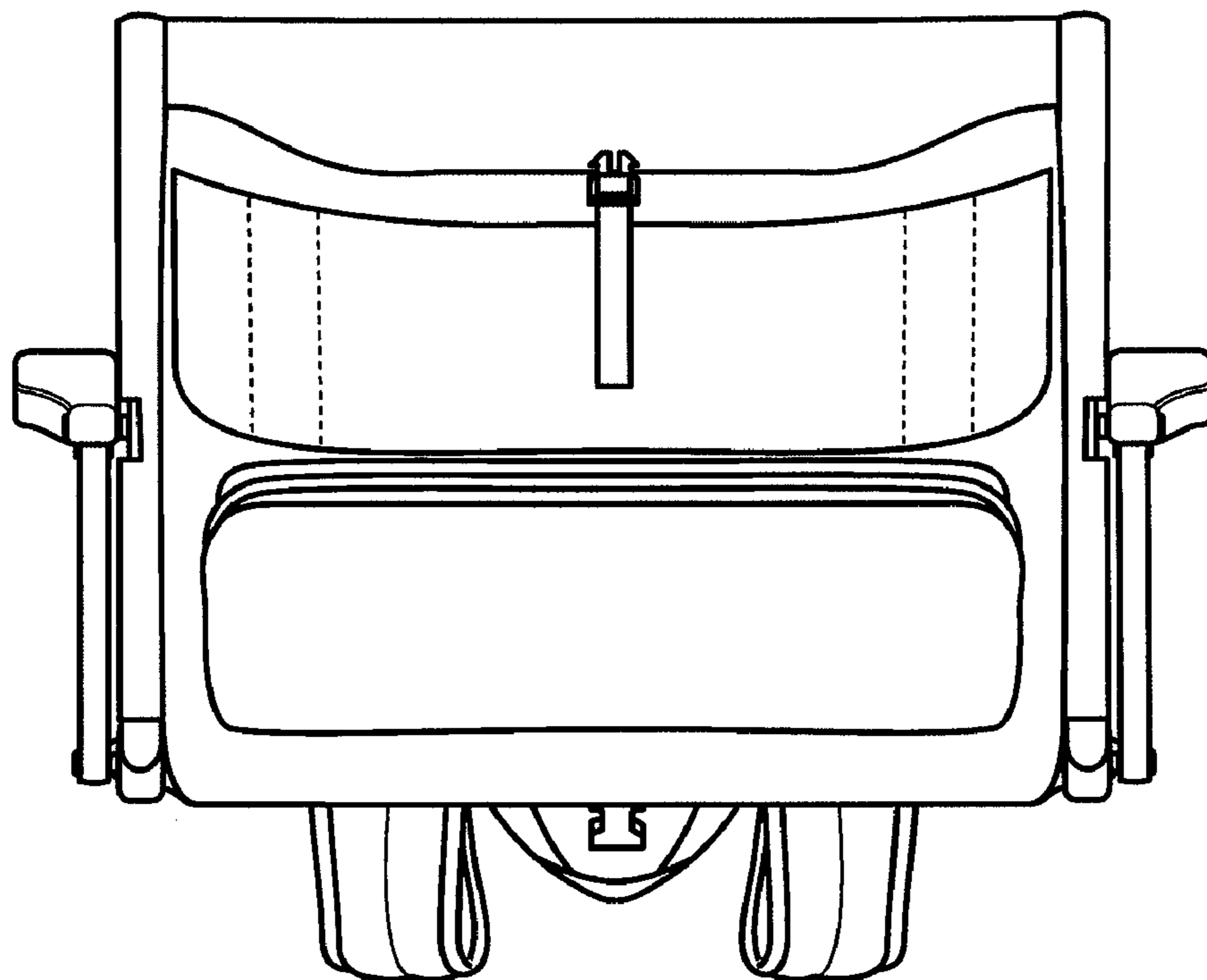
**Fig. 1**



**Fig. 2**

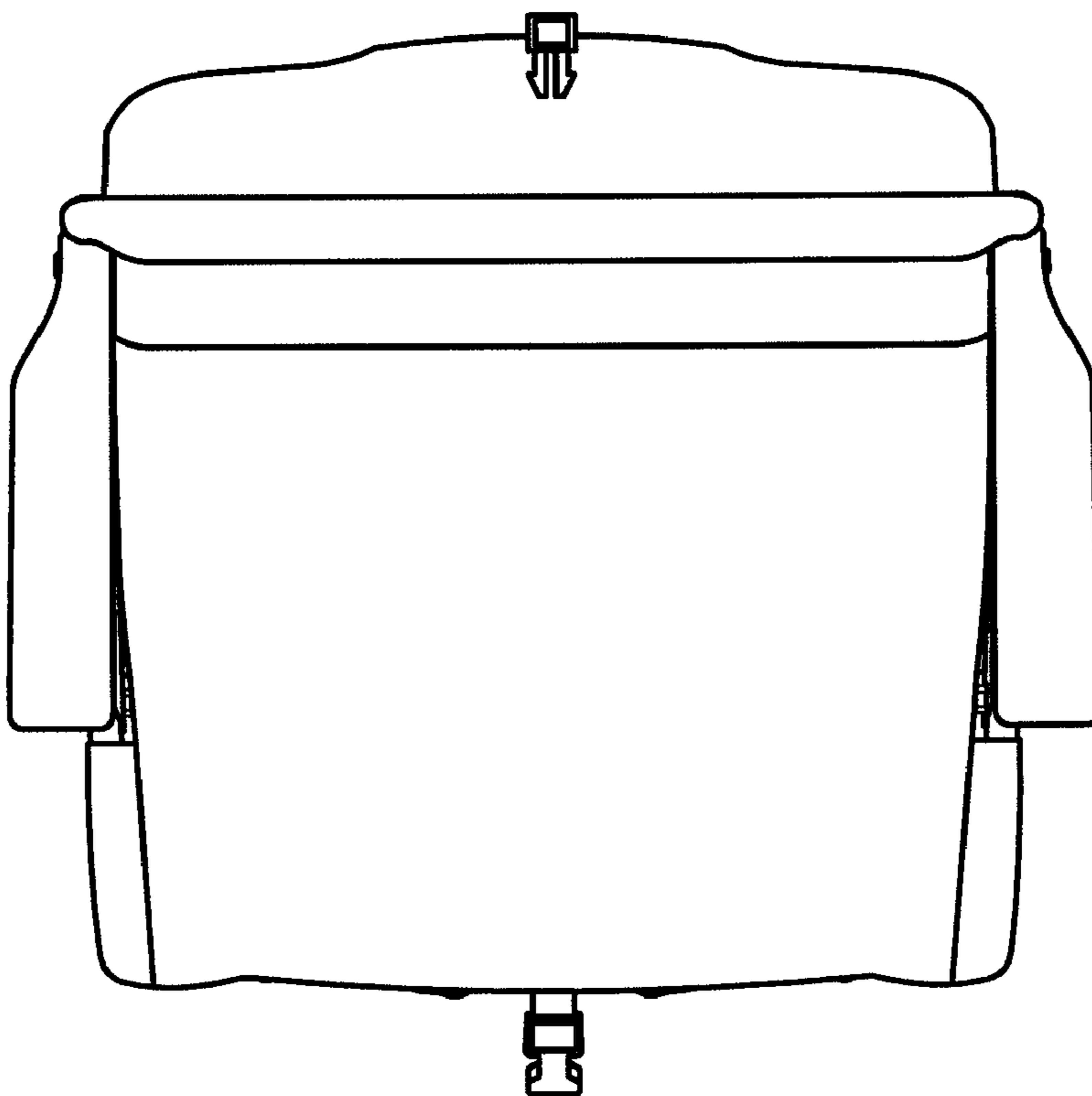


**Fig. 3**



**Fig. 4**

**Fig. 5**



**Fig. 6**

