



US00D591956S

(12) **United States Design Patent**
Treacy

(10) **Patent No.:** **US D591,956 S**

(45) **Date of Patent:** **** May 12, 2009**

(54) **CLEANING BRUSH**

(75) Inventor: **Terrence Treacy**, Mansfield, TX (US)

(73) Assignee: **Casabella Holdings, LLC**, Blauvelt, NY (US)

(**) Term: **14 Years**

(21) Appl. No.: **29/255,198**

(22) Filed: **Mar. 6, 2006**

(51) **LOC (9) Cl.** **04-99**

(52) **U.S. Cl.** **D4/199**

(58) **Field of Classification Search** D4/121,
D4/132, 135, 137, 199; D32/50, 51; 15/145,
15/146, 159.1, 160, 171, 172, 176.1, 220.1,
15/228, 229.6, 244.1, 244.2

See application file for complete search history.

(56) **References Cited**

U.S. PATENT DOCUMENTS

2,514,571	A *	7/1950	Fry	15/146
3,820,187	A *	6/1974	Numbers et al.	15/244.2
4,763,377	A *	8/1988	Madsen	15/144.2
5,596,787	A *	1/1997	Stevens et al.	15/220.1
6,523,213	B1 *	2/2003	Post	15/220.1

D549,415	S *	8/2007	Trotter et al.	D32/50
7,343,638	B2 *	3/2008	Mitchell et al.	15/144.1
2006/0168750	A1 *	8/2006	Dotterman et al.	15/228

* cited by examiner

Primary Examiner—Melanie H Tung

Assistant Examiner—Lavone D Tabor

(74) *Attorney, Agent, or Firm*—Curtis, Mallet-Prevost, Colt & Mosle LLP

(57) **CLAIM**

The ornamental design for the cleaning brush, as shown and described.

DESCRIPTION

FIG. 1 is a perspective view of the cleaning brush showing my new design;

FIG. 2 is a rear view of the cleaning brush;

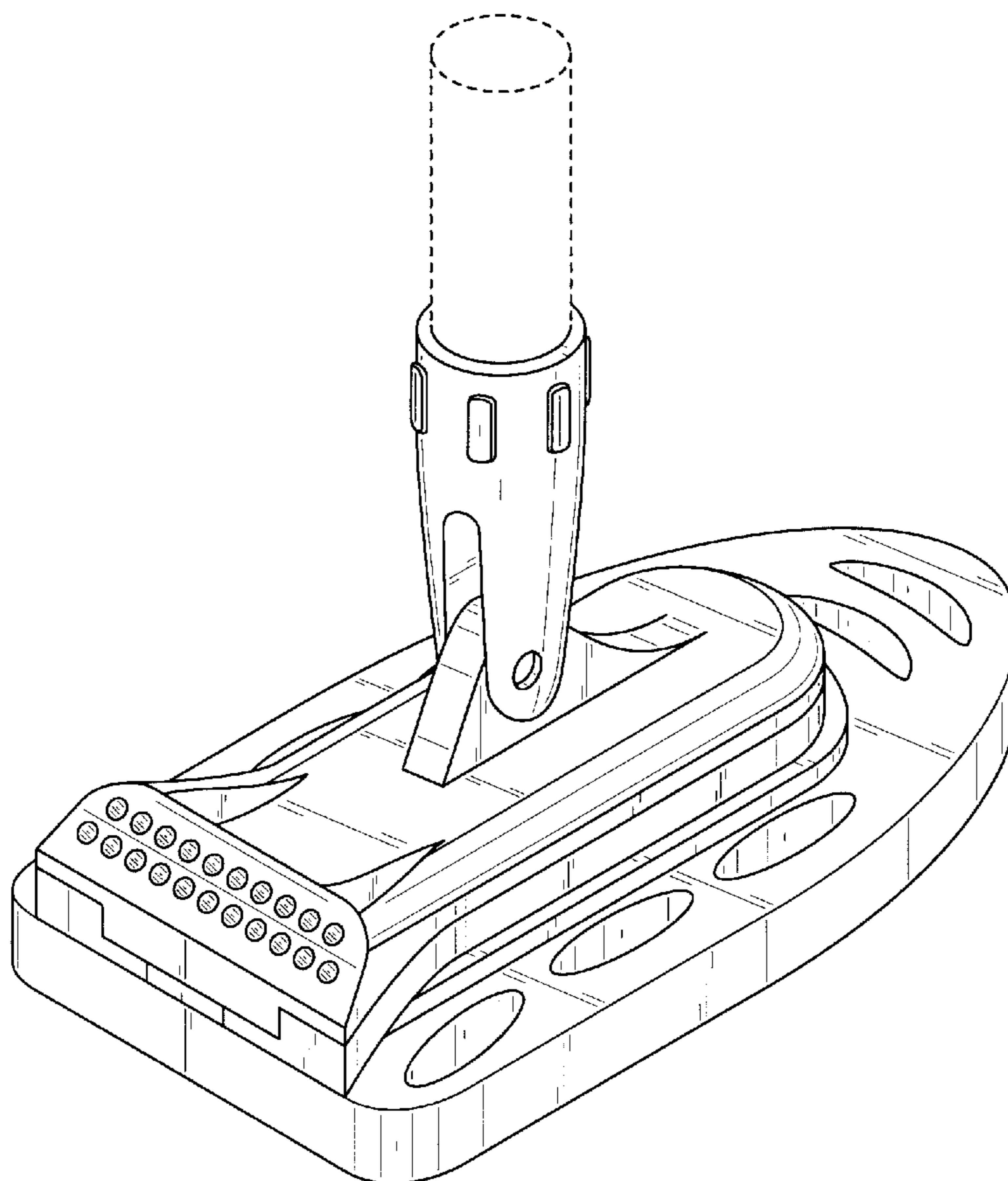
FIG. 3 is a front view of the cleaning brush;

FIG. 4 is a side view of the cleaning brush; and,

FIG. 5 is a top view of the cleaning brush.

In FIGS. 1–5, a portion of a brush handle is depicted in phantom lines for illustrative purposes only and forms no part of the claimed design.

1 Claim, 4 Drawing Sheets



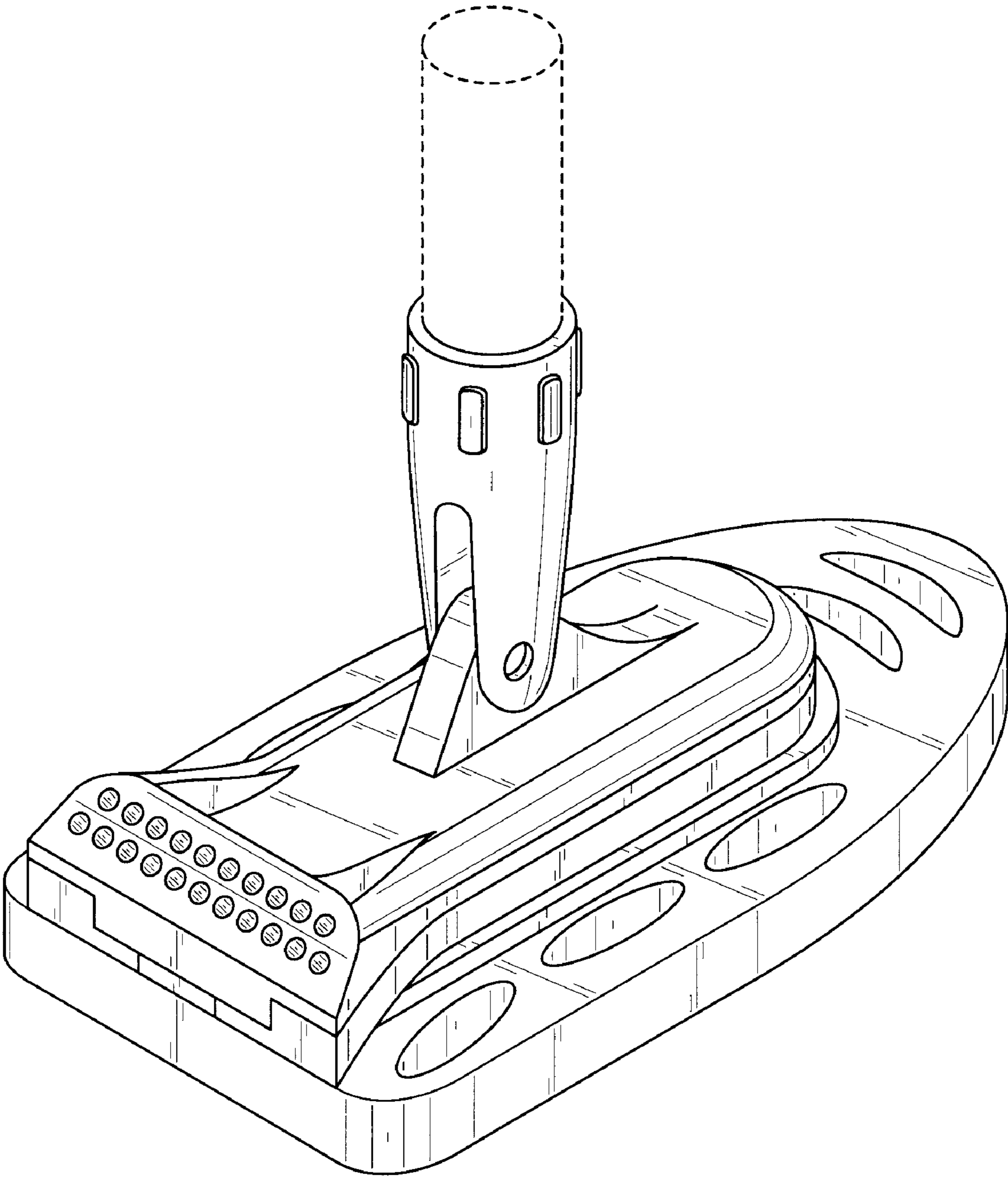


FIG. 1

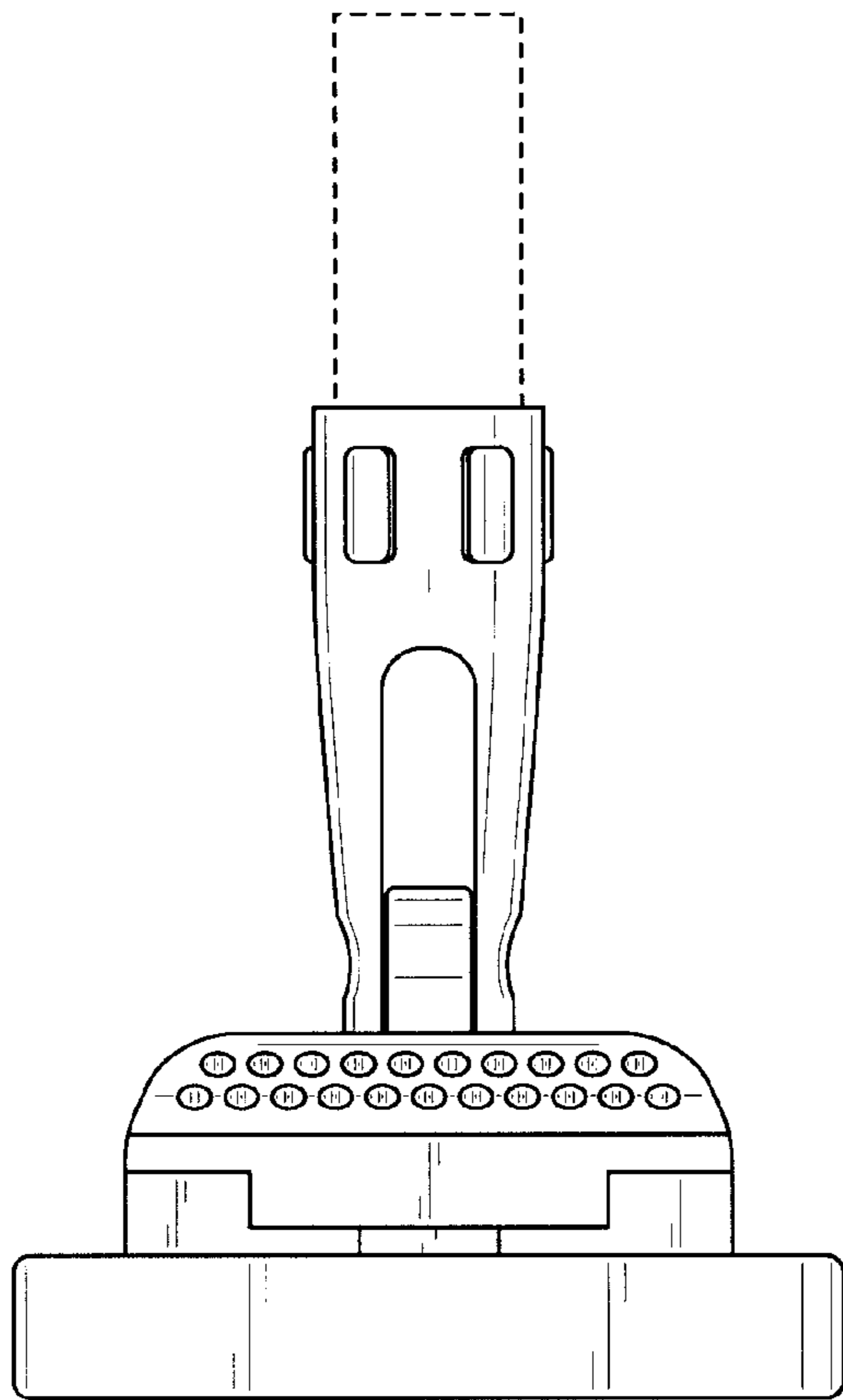


FIG. 2

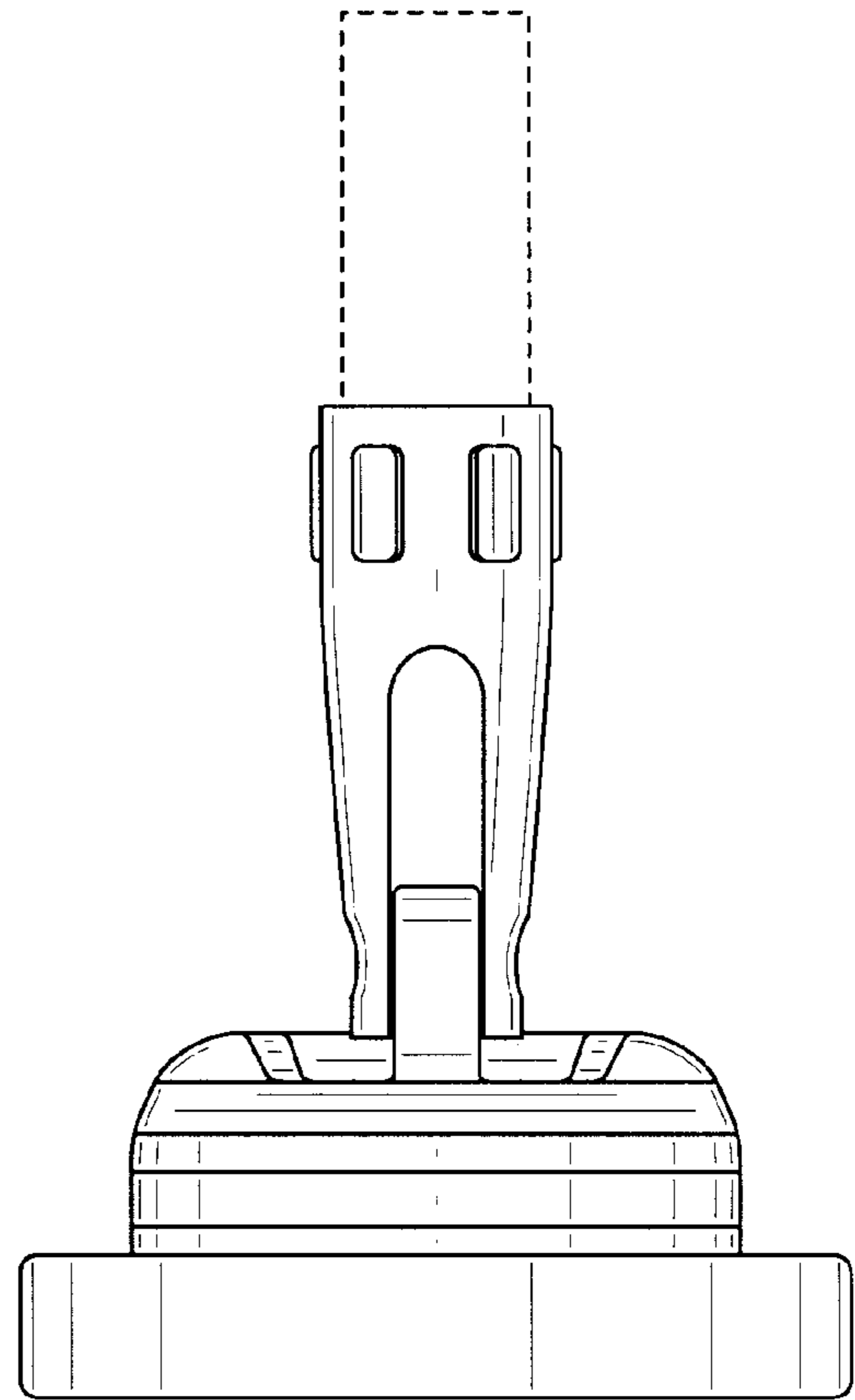


FIG. 3

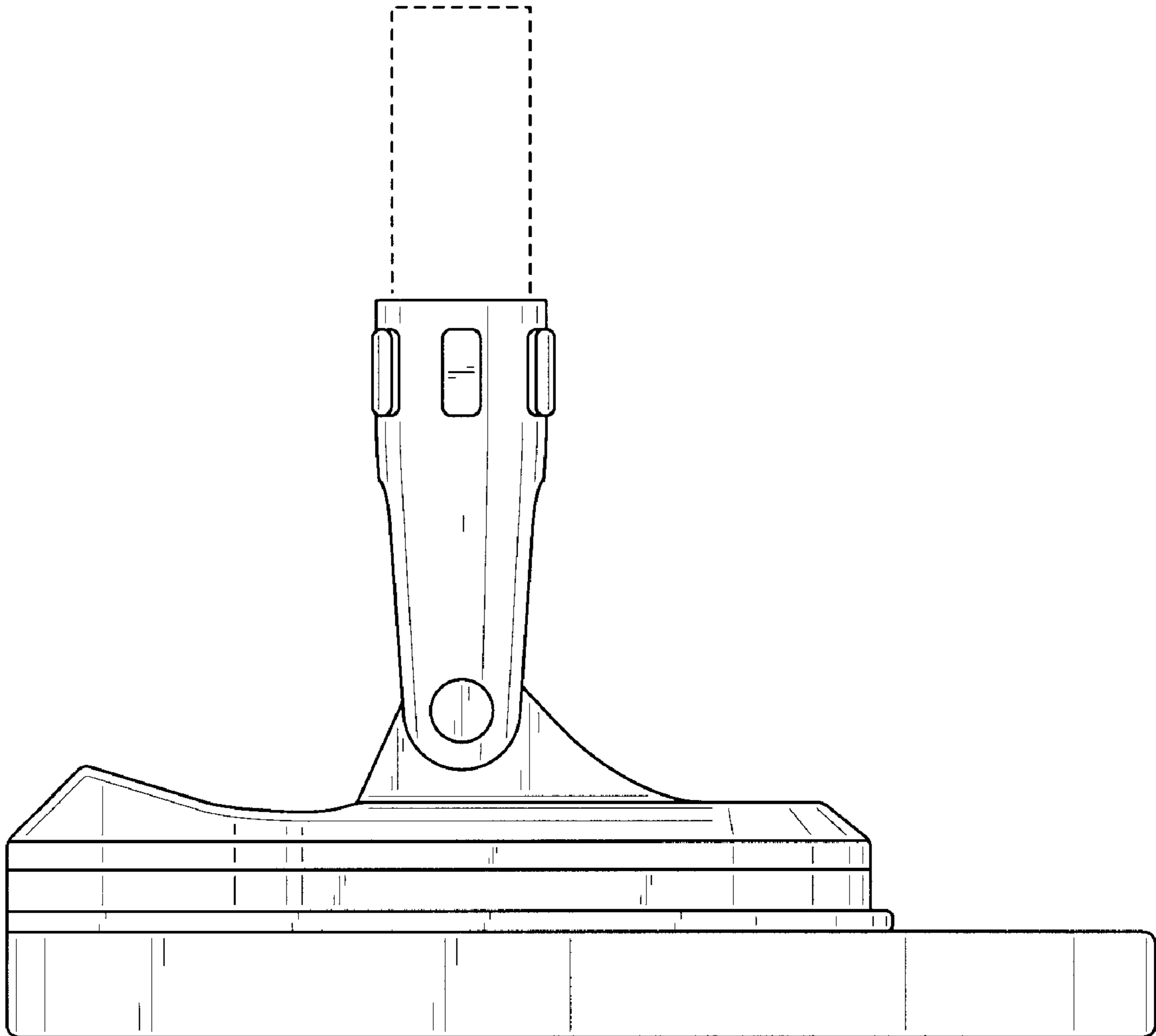


FIG. 4

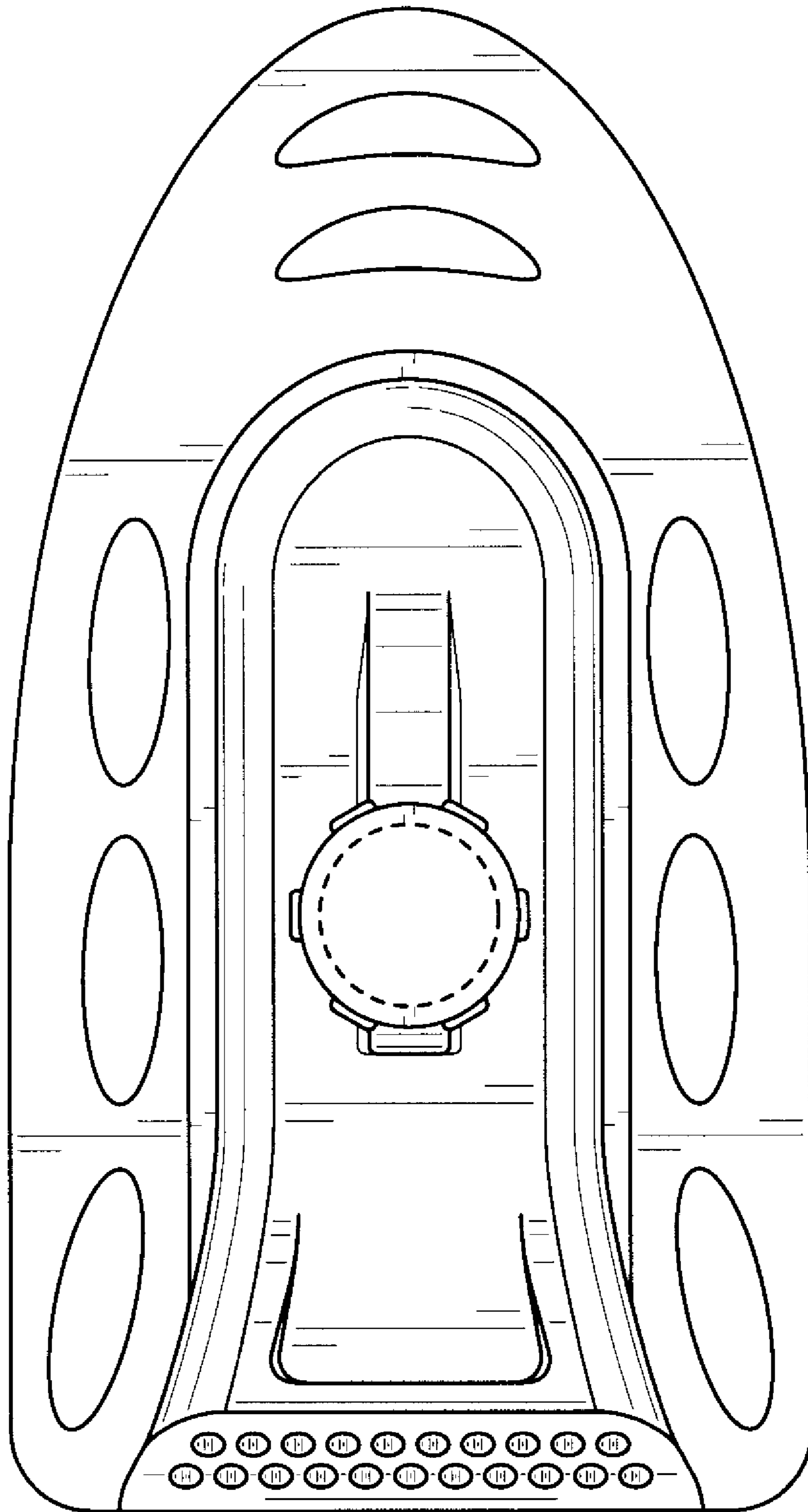


FIG. 5