



US00D591955S

(12) **United States Design Patent**
Kulik

(10) **Patent No.:** **US D591,955 S**

(45) **Date of Patent:** **** May 12, 2009**

(54) **COSMETIC APPLICATOR**

(75) Inventor: **Daniela Kulik**, Feuchtwangen (DE)

(73) Assignee: **Geka Brush GmbH**,
Bechhofen-Waizendorf (DE)

(**) Term: **14 Years**

(21) Appl. No.: **29/303,369**

(22) Filed: **Feb. 7, 2008**

(30) **Foreign Application Priority Data**

Aug. 7, 2007 (EM) 000770516-0003

(51) **LOC (9) Cl.** **04-02**

(52) **U.S. Cl.** **D4/136**

(58) **Field of Classification Search** 15/207.2,
15/206, DIG. 15, 27, 188; 132/218, 317,
132/320; D4/128, 136; 401/122, 126, 127,
401/129; D28/7

See application file for complete search history.

(56) **References Cited**

U.S. PATENT DOCUMENTS

3,343,551	A *	9/1967	Anderson	132/218
4,810,122	A *	3/1989	Cole	401/122
4,964,429	A *	10/1990	Cole	132/218
5,086,793	A *	2/1992	Kingsford	132/218
6,408,857	B1 *	6/2002	Neuner	132/218

6,412,496	B1 *	7/2002	Gueret	132/218
6,675,814	B2 *	1/2004	Gueret	132/218
6,681,777	B2 *	1/2004	Gueret	132/218
6,814,084	B2 *	11/2004	Gueret	132/218
2002/0023657	A1 *	2/2002	Gueret	132/218
2007/0034223	A1 *	2/2007	Dumler et al.	132/218
2008/0060668	A1 *	3/2008	Legassie	132/218

* cited by examiner

Primary Examiner—Jennifer Rivard

(74) *Attorney, Agent, or Firm*—Browdy and Neimark,
P.L.L.C.

(57) **CLAIM**

The ornamental design for cosmetic applicator, as shown and described.

DESCRIPTION

FIG. 1 is a front view of cosmetic applicator, showing our new design;

FIG. 2 is a rear view thereof;

FIG. 3 is a top view thereof;

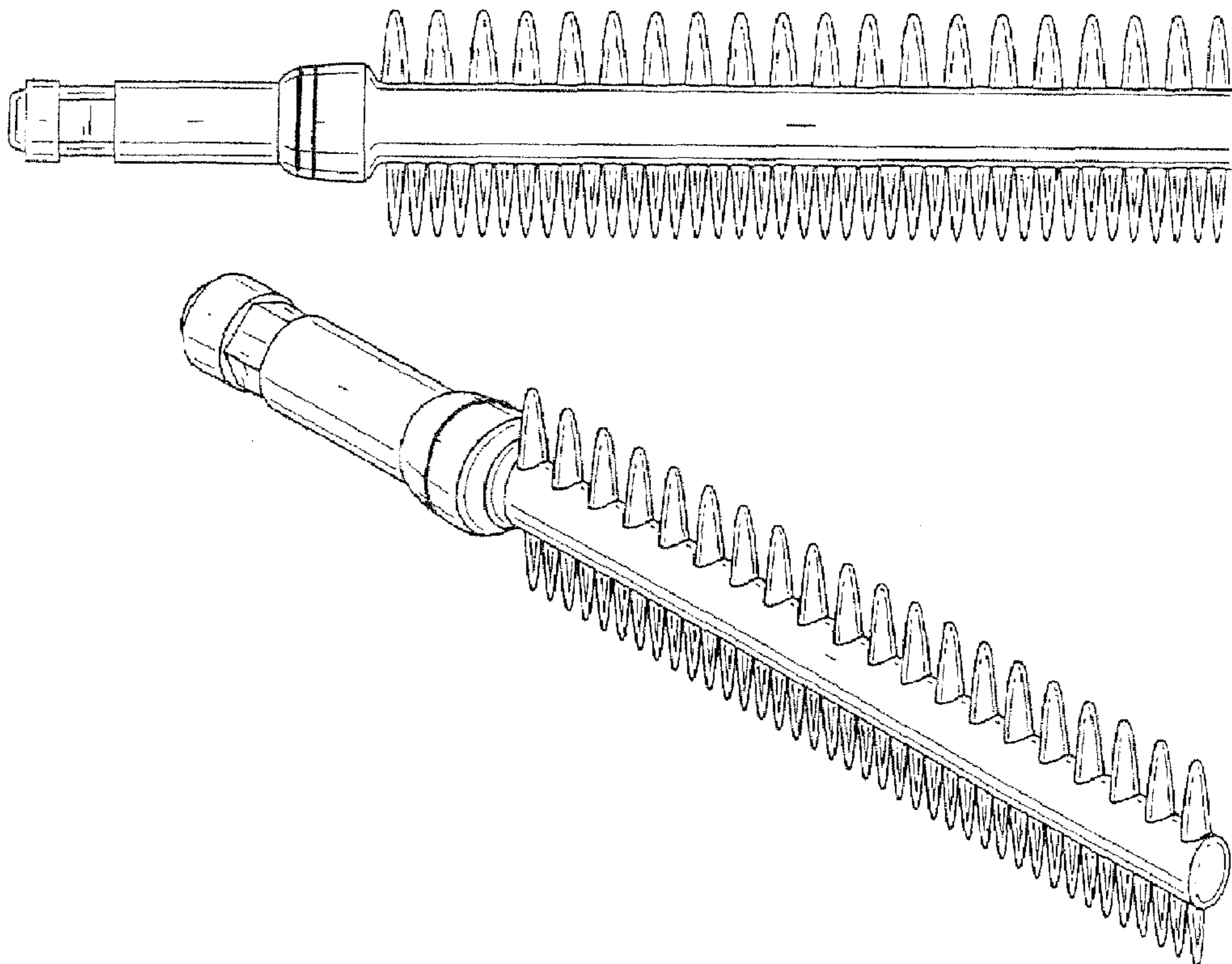
FIG. 4 is a bottom view thereof;

FIG. 5 is a lateral view (right side) thereof;

FIG. 6 is a lateral view (left side) thereof; and,

FIG. 7 is a perspective view thereof.

1 Claim, 3 Drawing Sheets



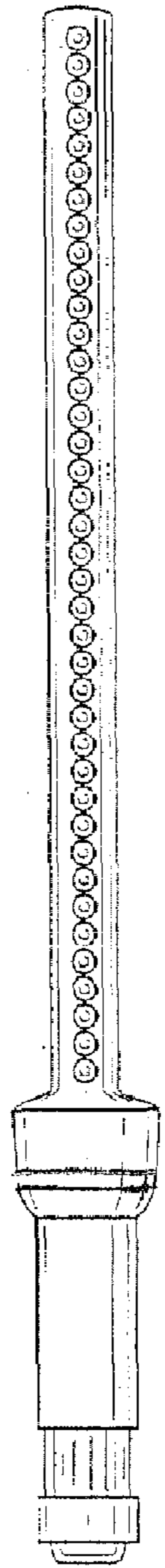


FIG. 1

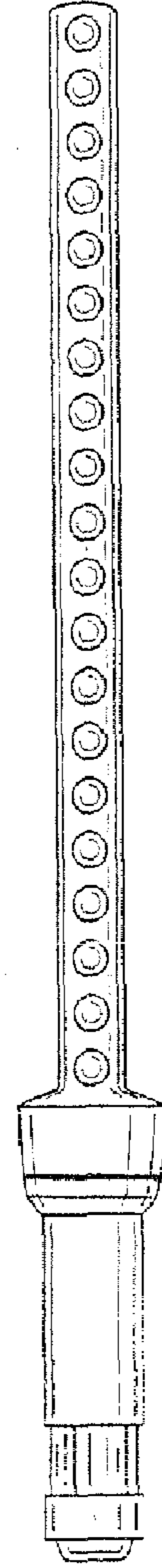


FIG. 2

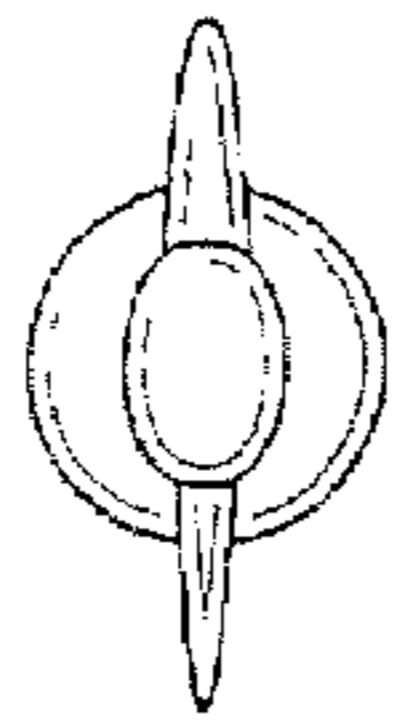


FIG. 3

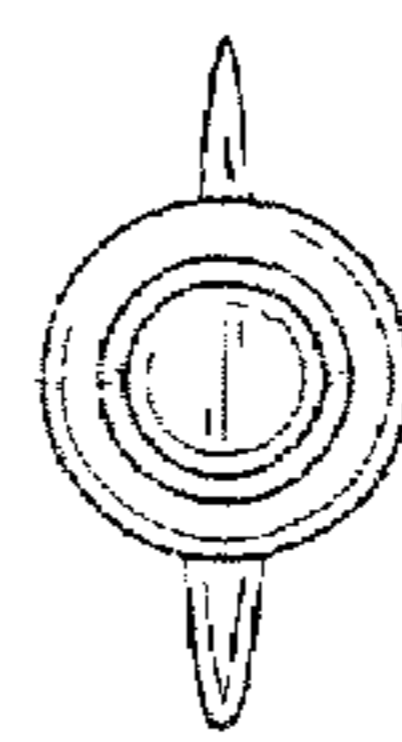


FIG. 4

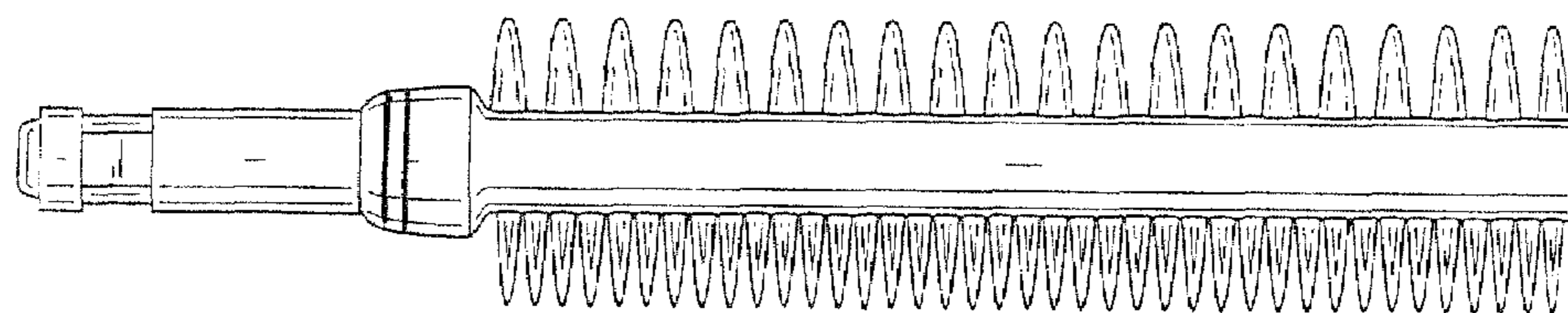


FIG. 5

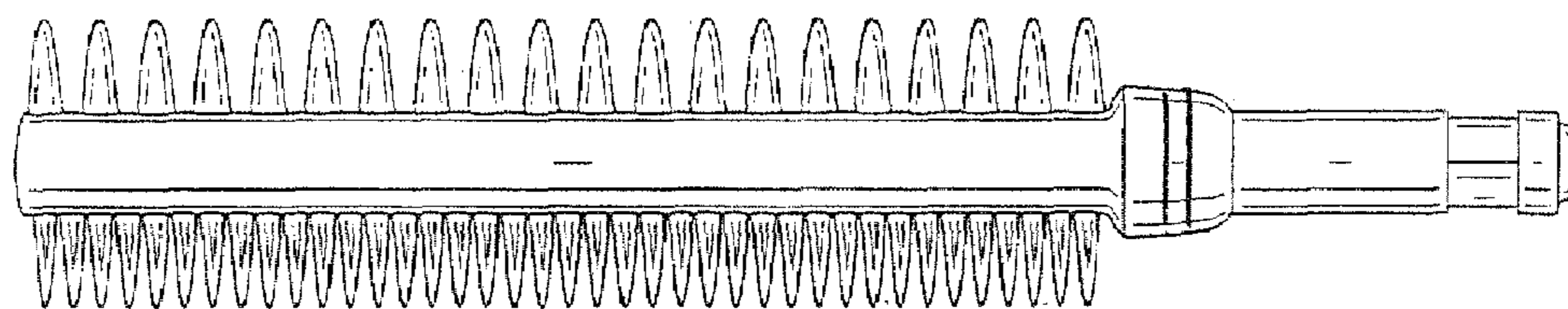


FIG. 6

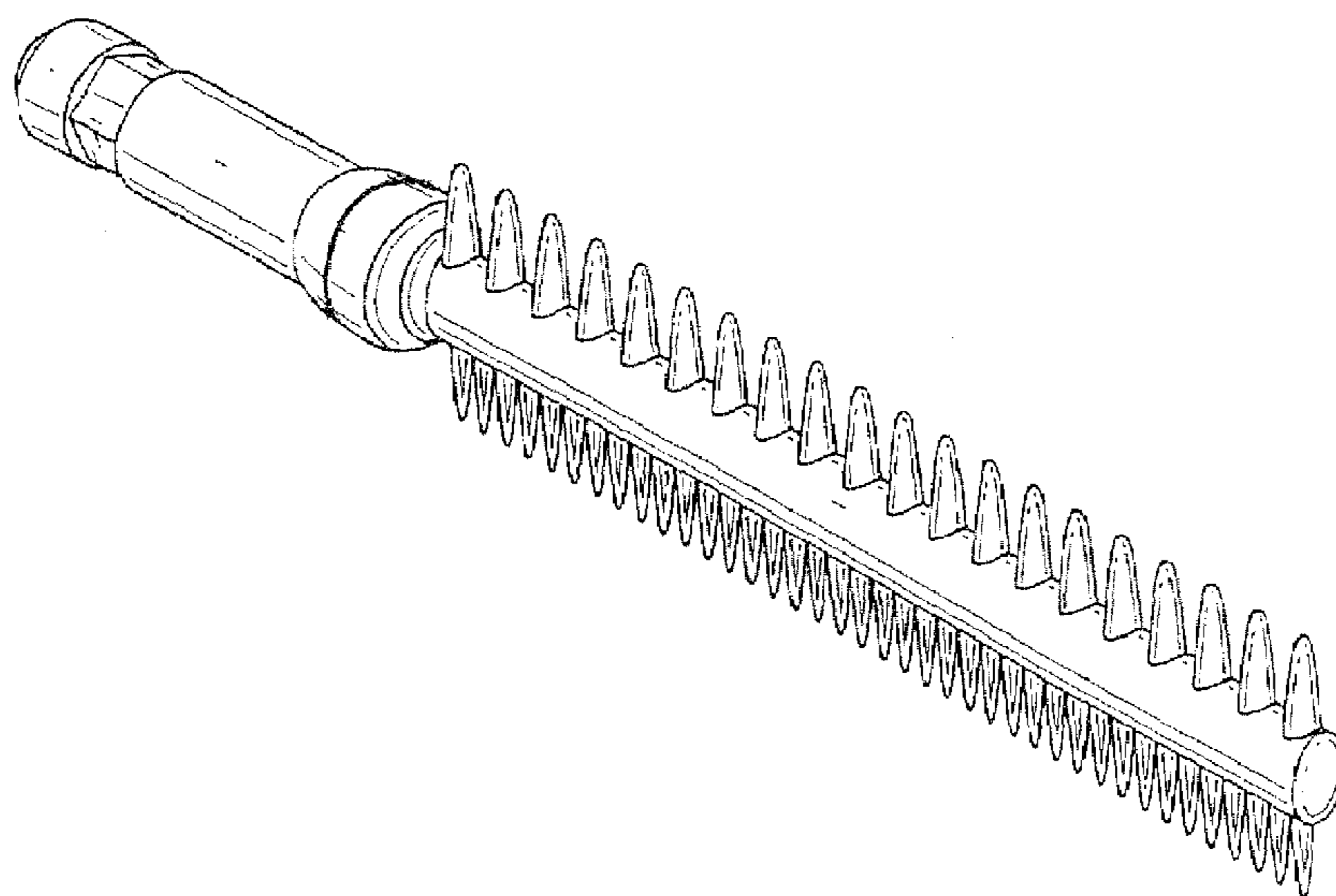


FIG. 7