

US00D591949S

(12) **United States Design Patent**
Goetzinger

(10) **Patent No.:** **US D591,949 S**

(45) **Date of Patent:** **** May 12, 2009**

(54) **PERSONAL GOLF ACCESSORY POUCH**

(76) Inventor: **Robert L. Goetzinger**, 405 Cinnabar Ct., Lincoln, CA (US) 95648

(**) Term: **14 Years**

(21) Appl. No.: **29/312,131**

(22) Filed: **Oct. 1, 2008**

(51) **LOC (9) Cl.** **03-01**

(52) **U.S. Cl.** **D3/221**

(58) **Field of Classification Search** D3/221,
D3/215, 226; D21/789, 796; 206/315.5,
206/315.9; 224/235-236, 240, 587, 674,
224/677, 683

See application file for complete search history.

(56) **References Cited**

U.S. PATENT DOCUMENTS

| | | | | | |
|-----------|-----|---------|----------|-------|---------|
| 2,317,820 | A * | 4/1943 | Smith | | 224/235 |
| 2,665,830 | A | 1/1954 | Fowler | | |
| 2,768,775 | A | 10/1956 | Houser | | |
| 3,298,579 | A | 1/1967 | Smith | | |
| 3,497,118 | A | 2/1970 | Najjar | | |
| 3,497,676 | A | 2/1970 | Gravatt | | |
| 4,730,728 | A | 3/1988 | Larkin | | |
| 4,850,483 | A | 7/1989 | Stack | | |
| 5,269,410 | A | 12/1993 | Abregano | | |
| 5,423,530 | A | 6/1995 | González | | |
| D394,548 | S | 5/1998 | Lee | | |

| | | | | | |
|-----------|-----|---------|----------------|-------|--------|
| 5,934,530 | A | 8/1999 | Antczak et al. | | |
| D440,040 | S * | 4/2001 | Cantasano | | D3/221 |
| D448,555 | S | 10/2001 | deLong | | |
| D464,193 | S | 10/2002 | Leung | | |
| D486,636 | S | 2/2004 | Rudeen et al. | | |
| D562,928 | S * | 2/2008 | Burns et al. | | D3/221 |

* cited by examiner

Primary Examiner—Catherine R Oliver

(74) *Attorney, Agent, or Firm*—Robert C. Montgomery

(57) **CLAIM**

The ornamental design for a personal golf accessory pouch.

DESCRIPTION

FIG. 1 is a perspective view of a personal golf accessory pouch;

FIG. 2 is a front view thereof;

FIG. 3 is a rear view thereof;

FIG. 4 is a right side close-up view thereof;

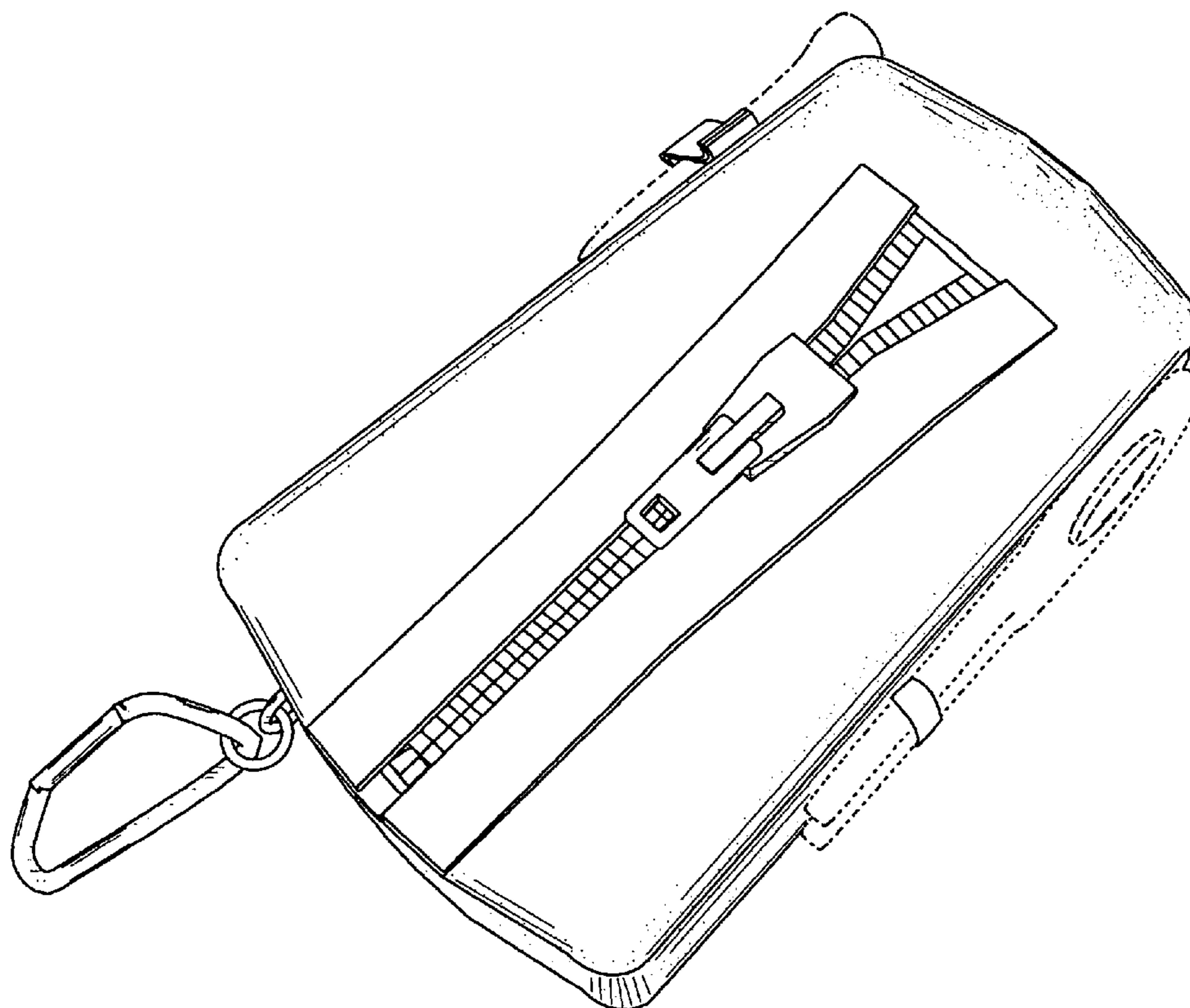
FIG. 5 is a left side close-up view thereof;

FIG. 6 is a top view close-up thereof; and,

FIG. 7 is a bottom view close-up thereof.

The broken line showing of environment in FIG. 1 is included for the purpose of illustrating only and forms no part of the claimed design.

1 Claim, 7 Drawing Sheets



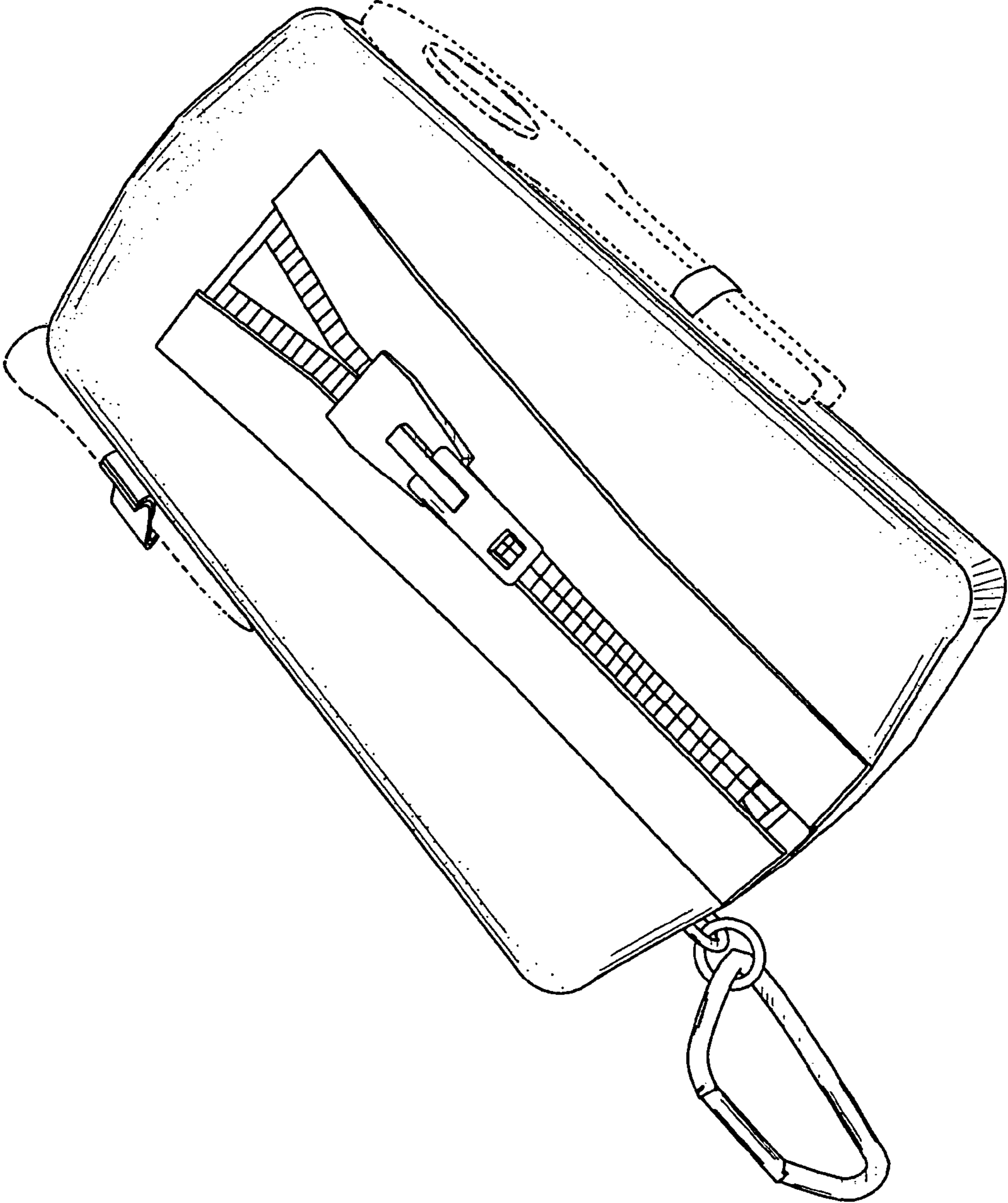


Fig. 1

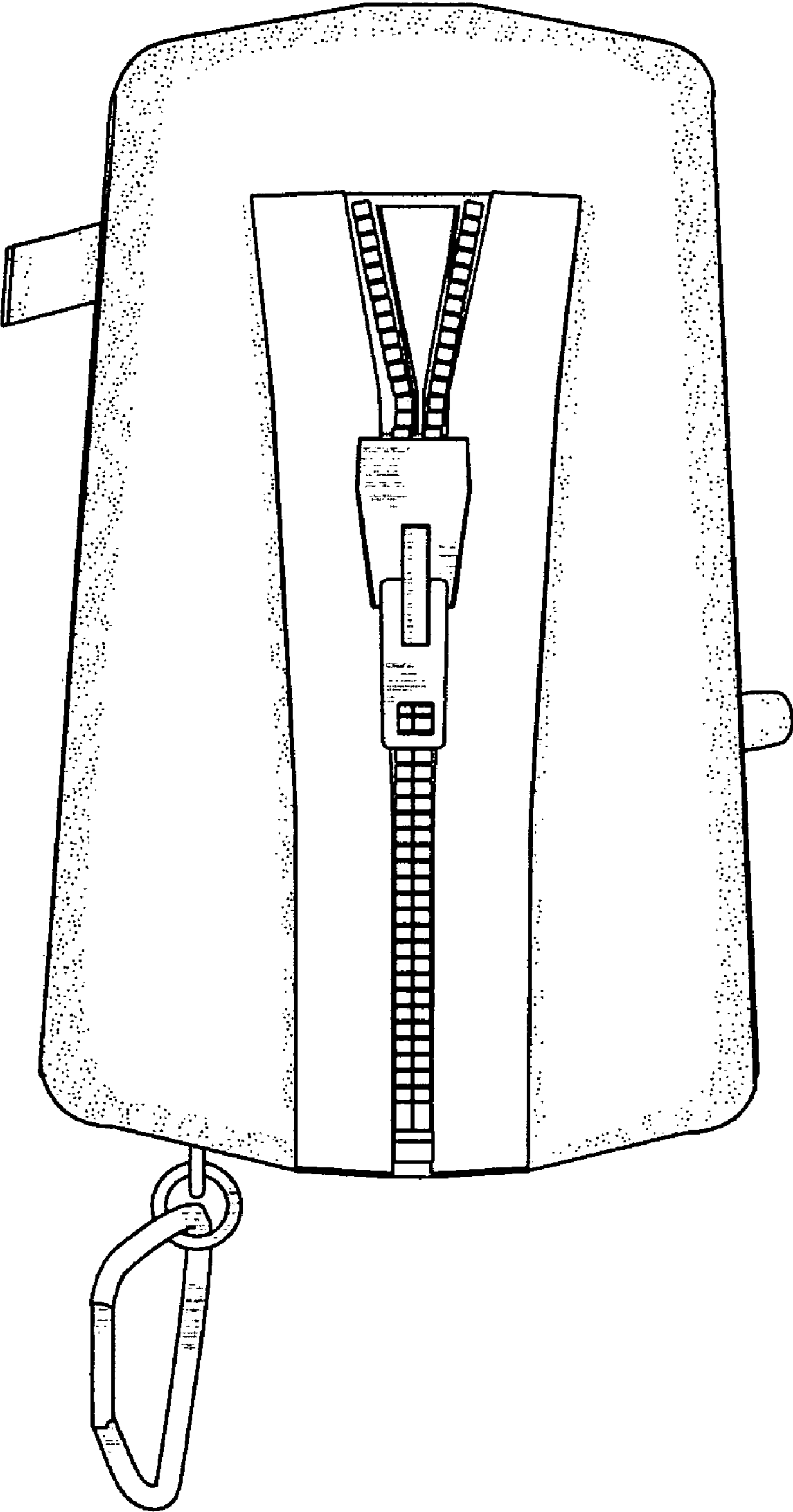


Fig. 2

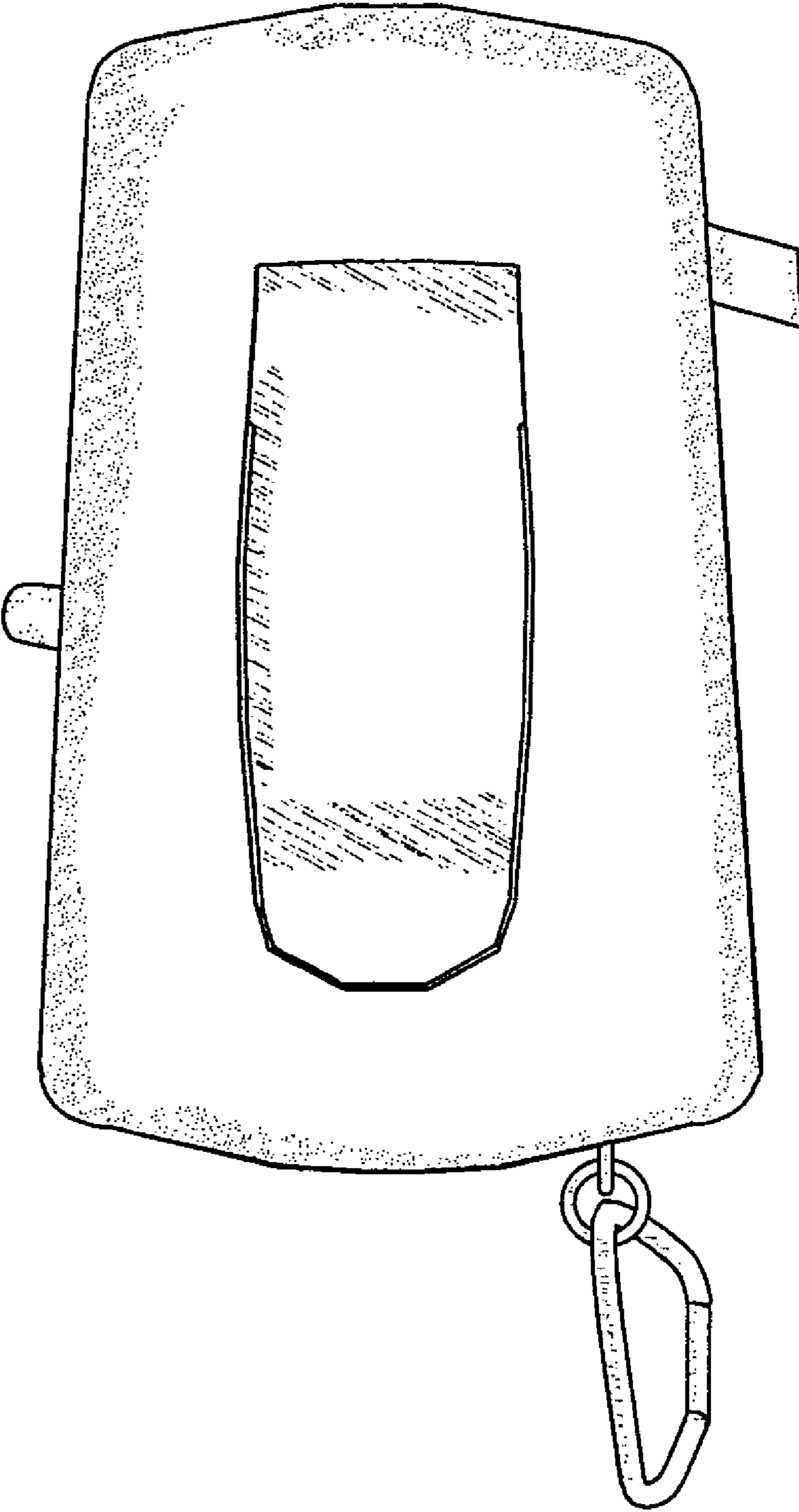


Fig. 3

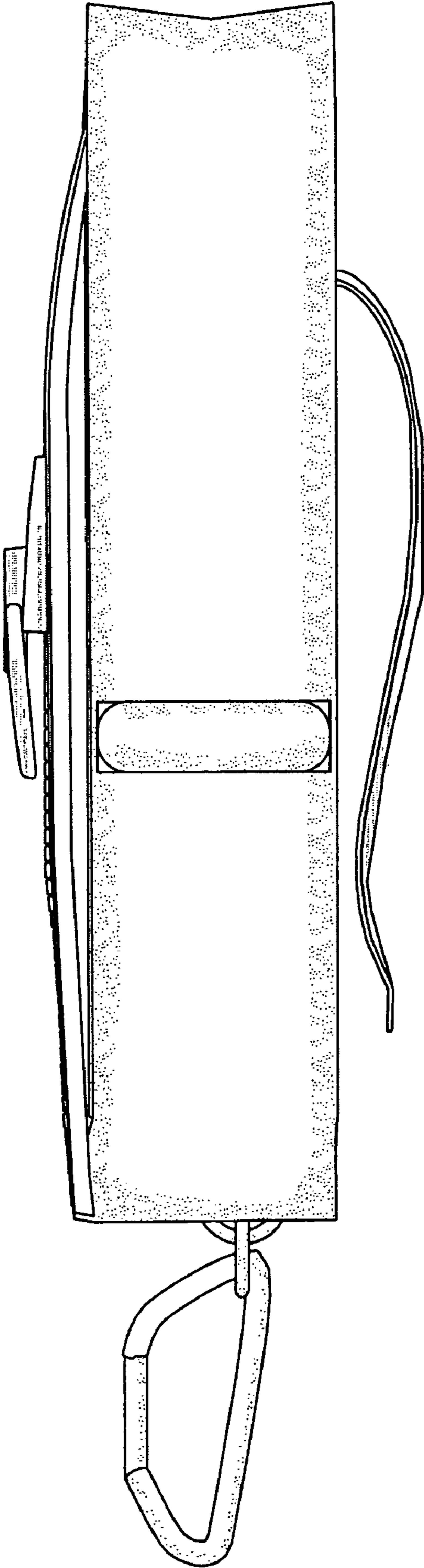


Fig 4

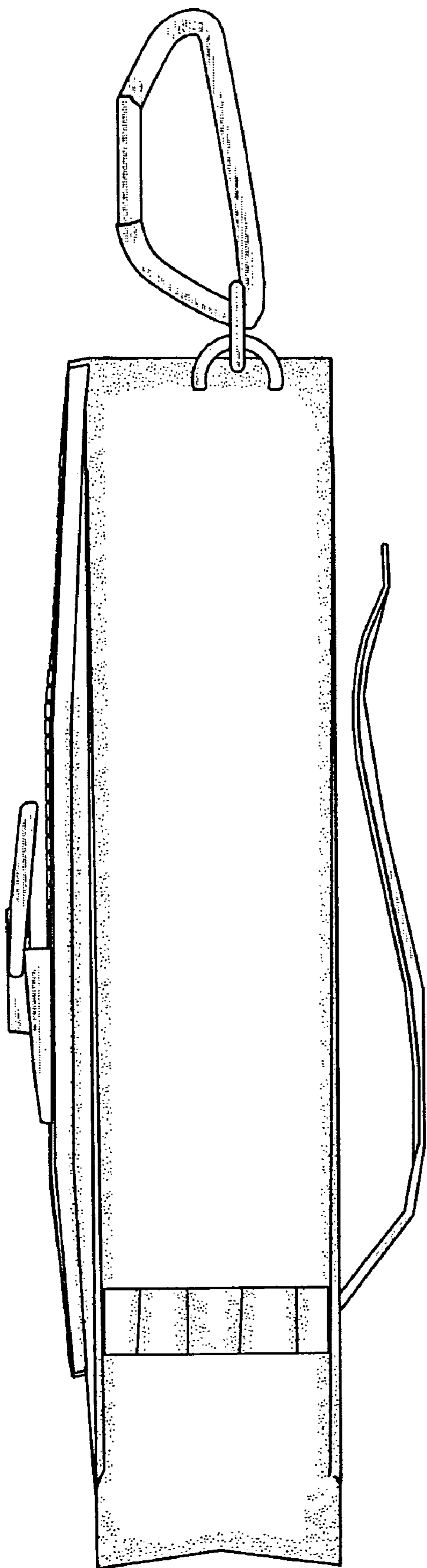


Fig 5

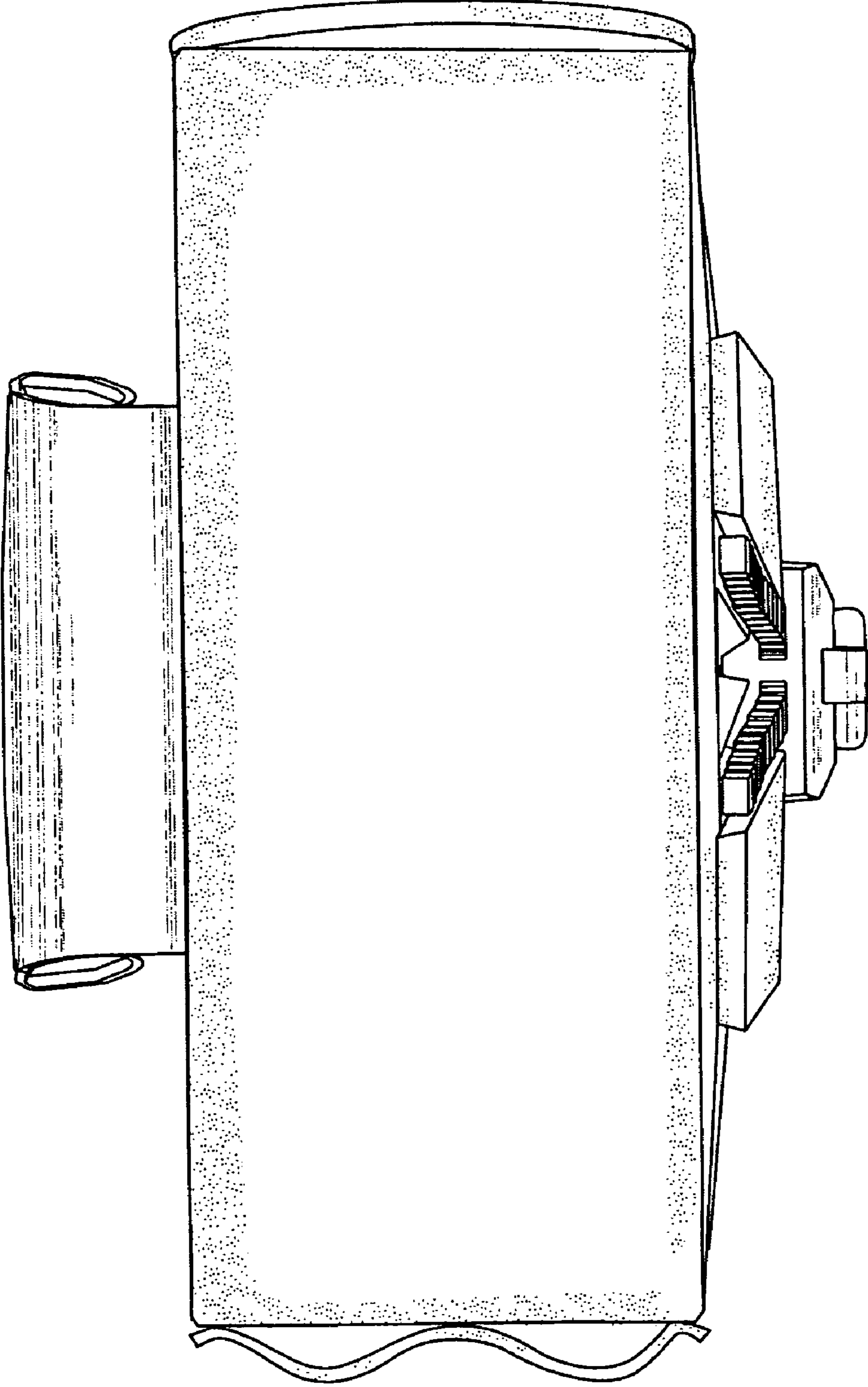


Fig 6

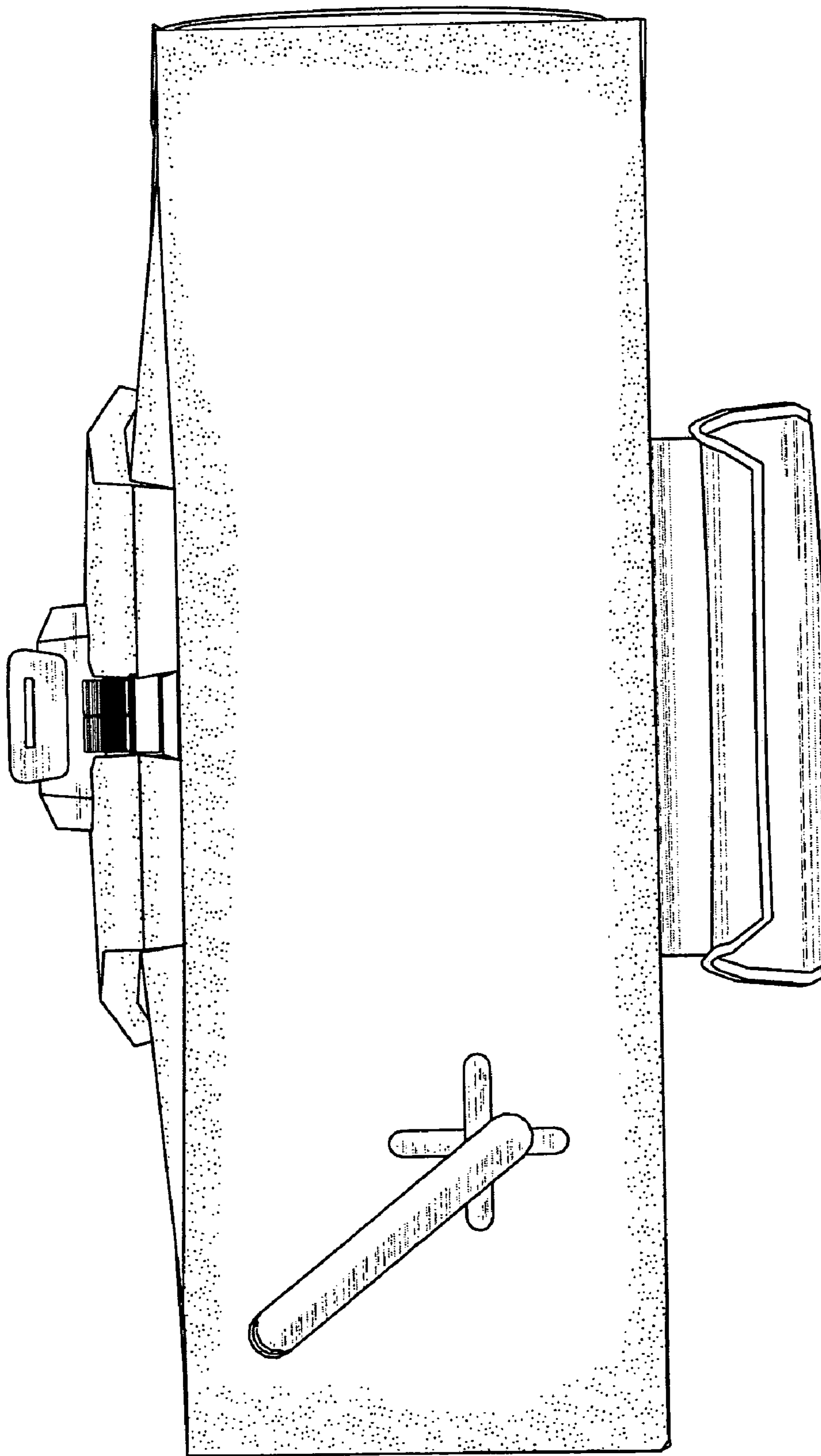


Fig 7