



US00D591948S

(12) **United States Design Patent**
Pew

(10) **Patent No.:** **US D591,948 S**

(45) **Date of Patent:** **** May 12, 2009**

(54) **INSULIN CARRYING CASE**

(57) **CLAIM**

(76) **Inventor:** **Stephen D. Pew**, 2443 SW. 307, Federal Way, WA (US) 98023

The ornamental design for an insulin carrying case, as shown and described.

(**) **Term:** **14 Years**

DESCRIPTION

(21) **Appl. No.:** **29/321,694**

FIG. 1 is a top perspective view of the handy insulin case including a top sleeve and a bottom sleeve in accordance with one embodiment of the present invention;

(22) **Filed:** **Jul. 22, 2008**

FIG. 2 is a front elevational view of the insulin carrying case of FIG. 1;

(51) **LOC (9) Cl.** **03-01**

(52) **U.S. Cl.** **D3/203.8**

(58) **Field of Classification Search** D3/203.8,
D3/203.5, 203.1, 263-266; 206/570, 366,
206/545, 571, 826, 363-364, 229; D24/130,
D24/223

FIG. 3 is a right side elevational view of the insulin carrying case of FIG. 1;

FIG. 4 is a bottom plan view of the insulin carrying case of FIG. 1;

See application file for complete search history.

FIG. 5 is a rear elevational view of the insulin carrying case of FIG. 1;

(56) **References Cited**

U.S. PATENT DOCUMENTS

D185,388 S *	6/1959	Peters	D3/203.8
4,429,793 A *	2/1984	Ehmann	206/570
D306,800 S *	3/1990	Yeager	D3/203.8
D389,639 S *	1/1998	Priebe	D3/203.8
D529,710 S *	10/2006	Wilson et al.	D3/203.5
D537,620 S *	3/2007	Glennie	D3/203.5

FIG. 6 is a top plan view of the insulin carrying case of FIG. 1;

FIG. 7 is top plan of an alternative embodiment of a bottom sleeve associated with the insulin carrying case of FIG. 1;

FIG. 8 is a front elevational view in accordance with the embodiment illustrated in FIG. 7;

FIG. 9 is a right side elevational view in accordance with the embodiment illustrated in FIG. 7;

FIG. 10 is a rear elevational view in accordance with the embodiment illustrated in FIG. 7; and,

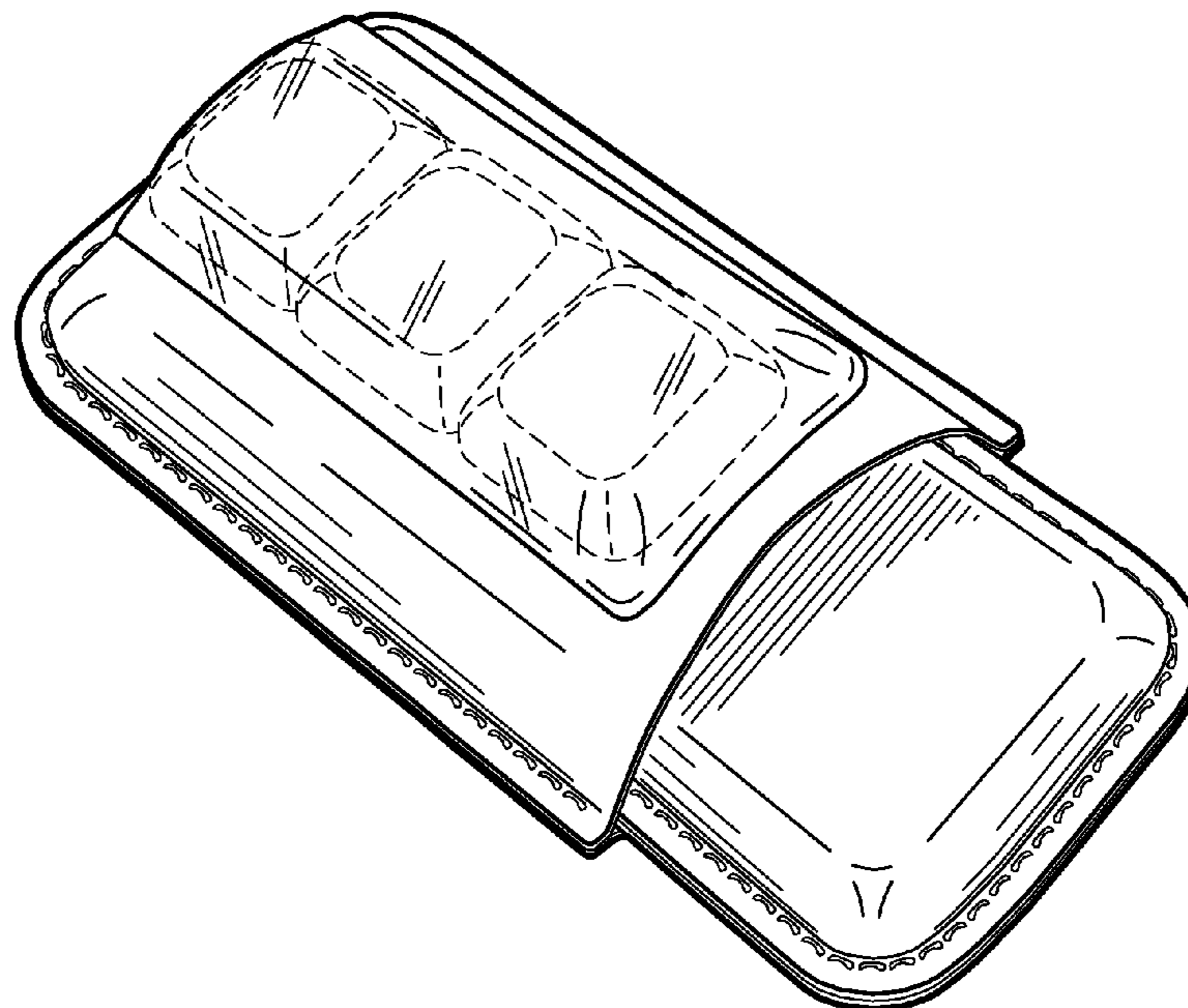
FIG. 11 is a bottom plan view in accordance with the embodiment illustrated in FIG. 7.

* cited by examiner

Portions of FIGS. 1-11 are shown in dashed lines for illustrative purposes only and form no part of the claimed design.

Primary Examiner—Catherine R Oliver
(74) *Attorney, Agent, or Firm*—Interlectual Property, Center;
Arthur K Shaffer

1 Claim, 4 Drawing Sheets



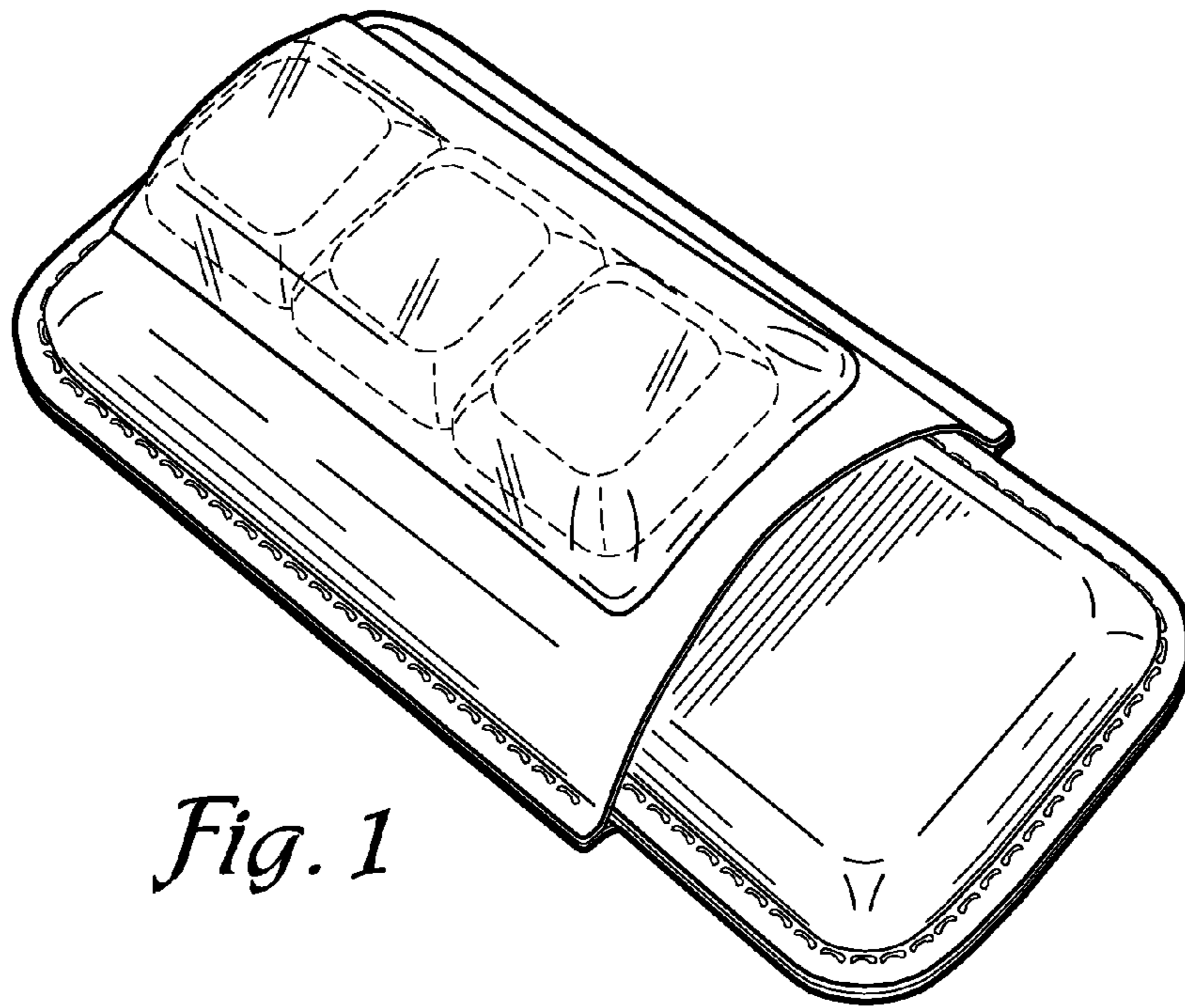


Fig. 1

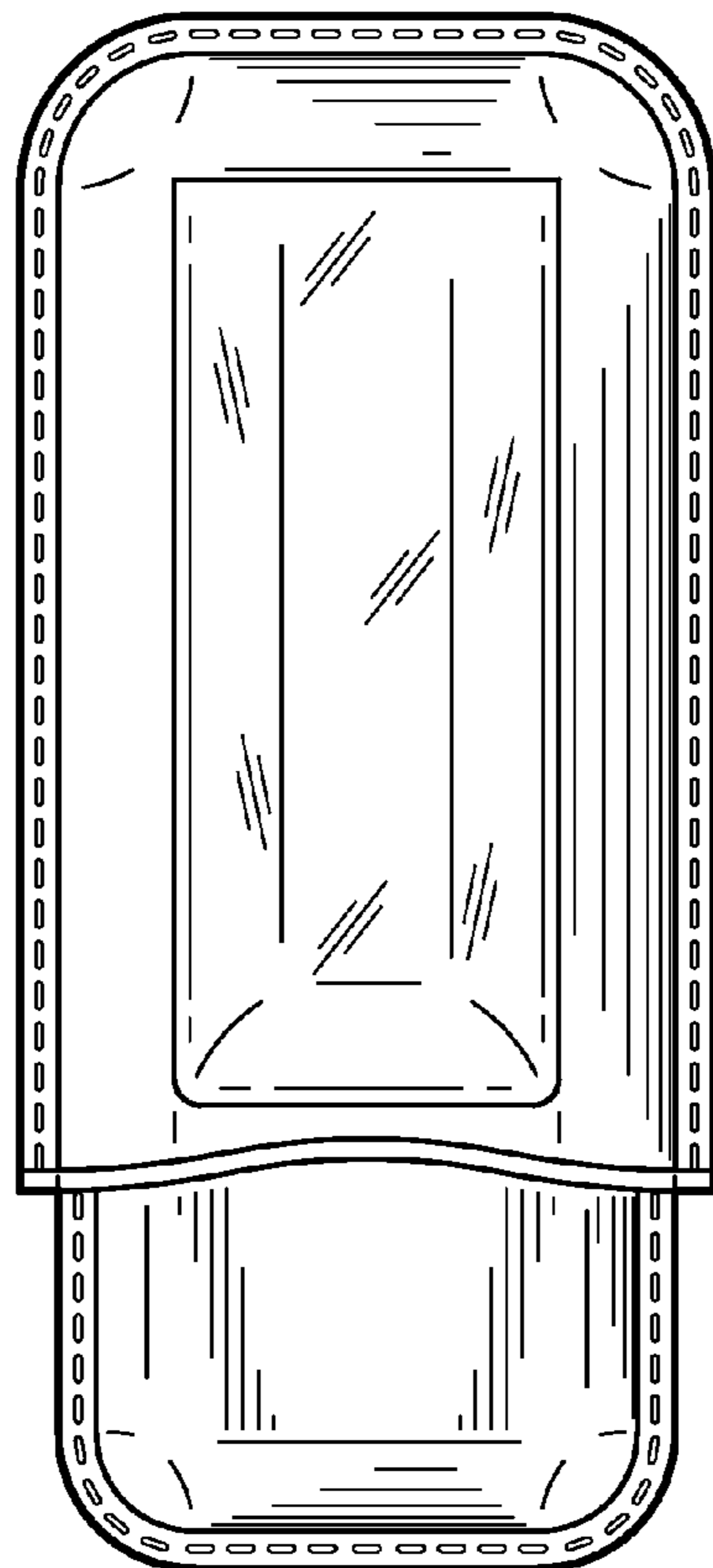


Fig. 2

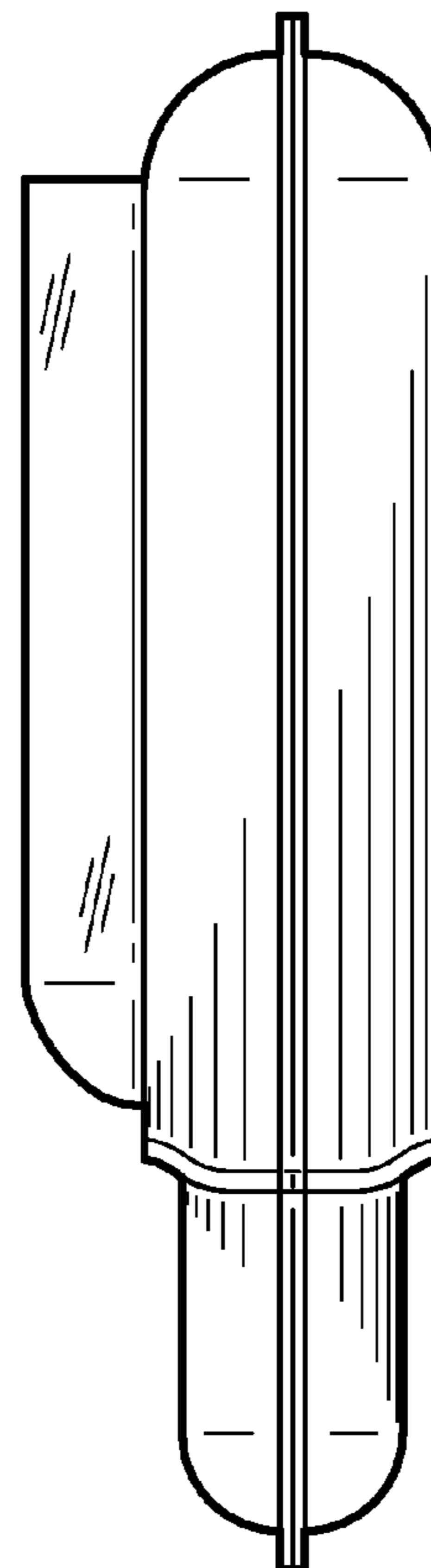


Fig. 3

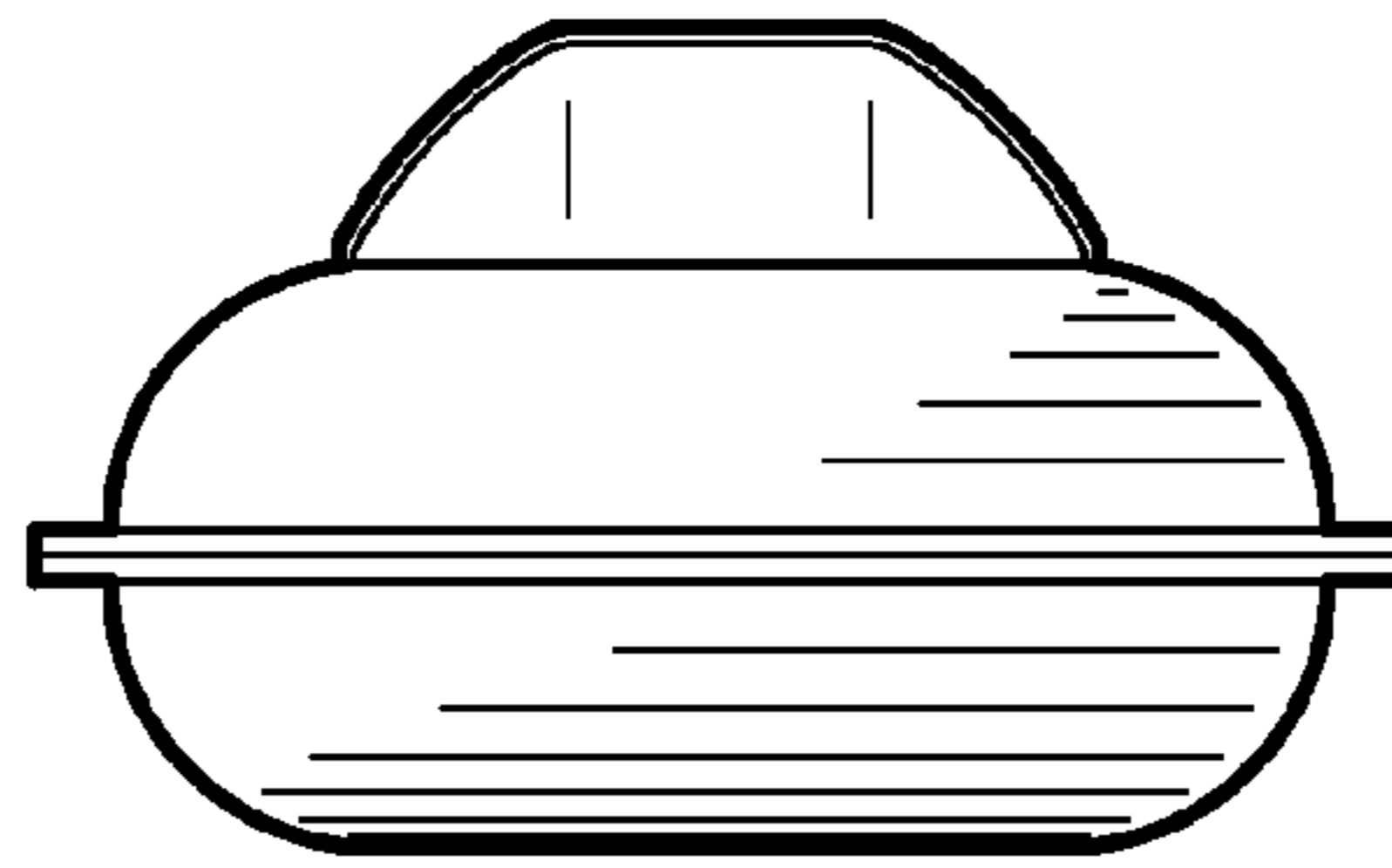


Fig. 4

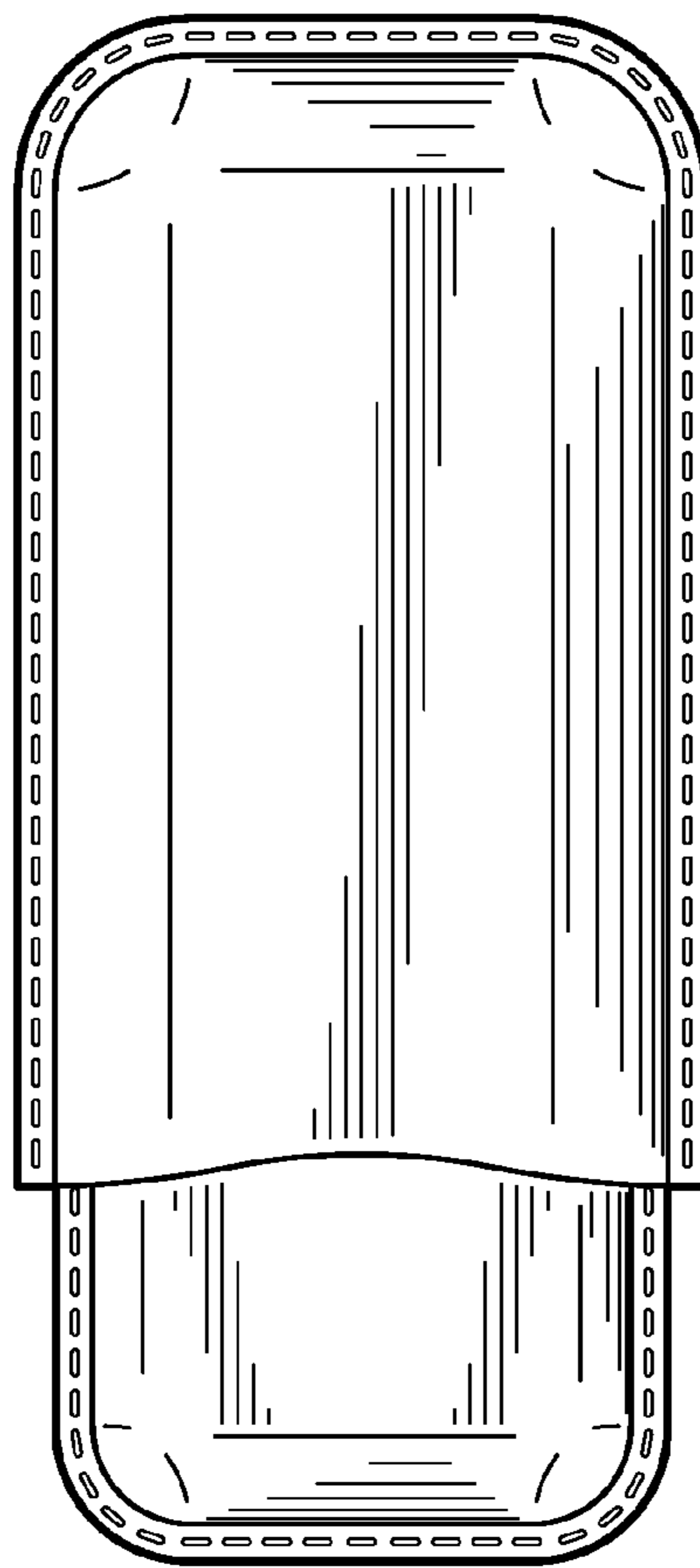


Fig. 5

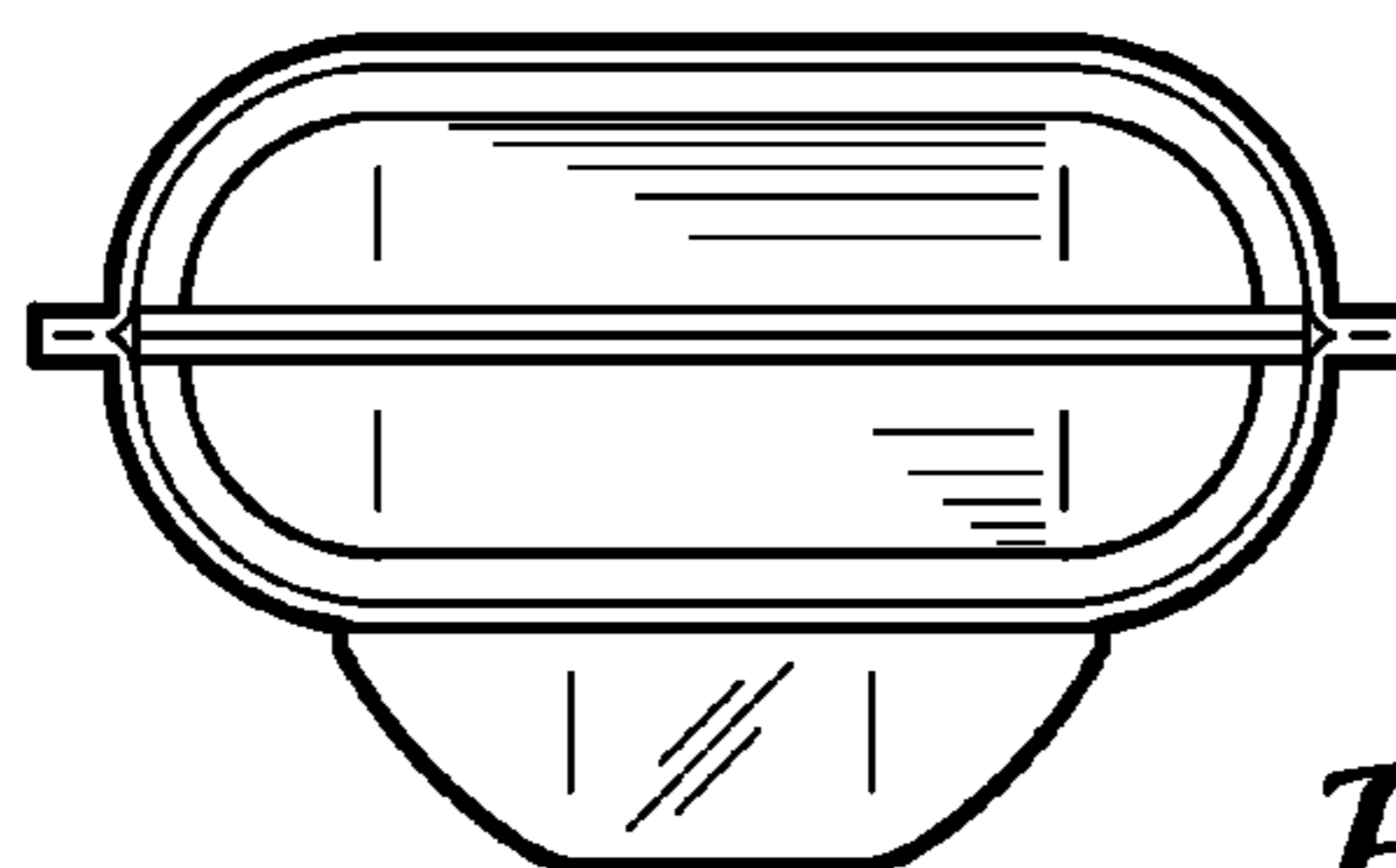


Fig. 6

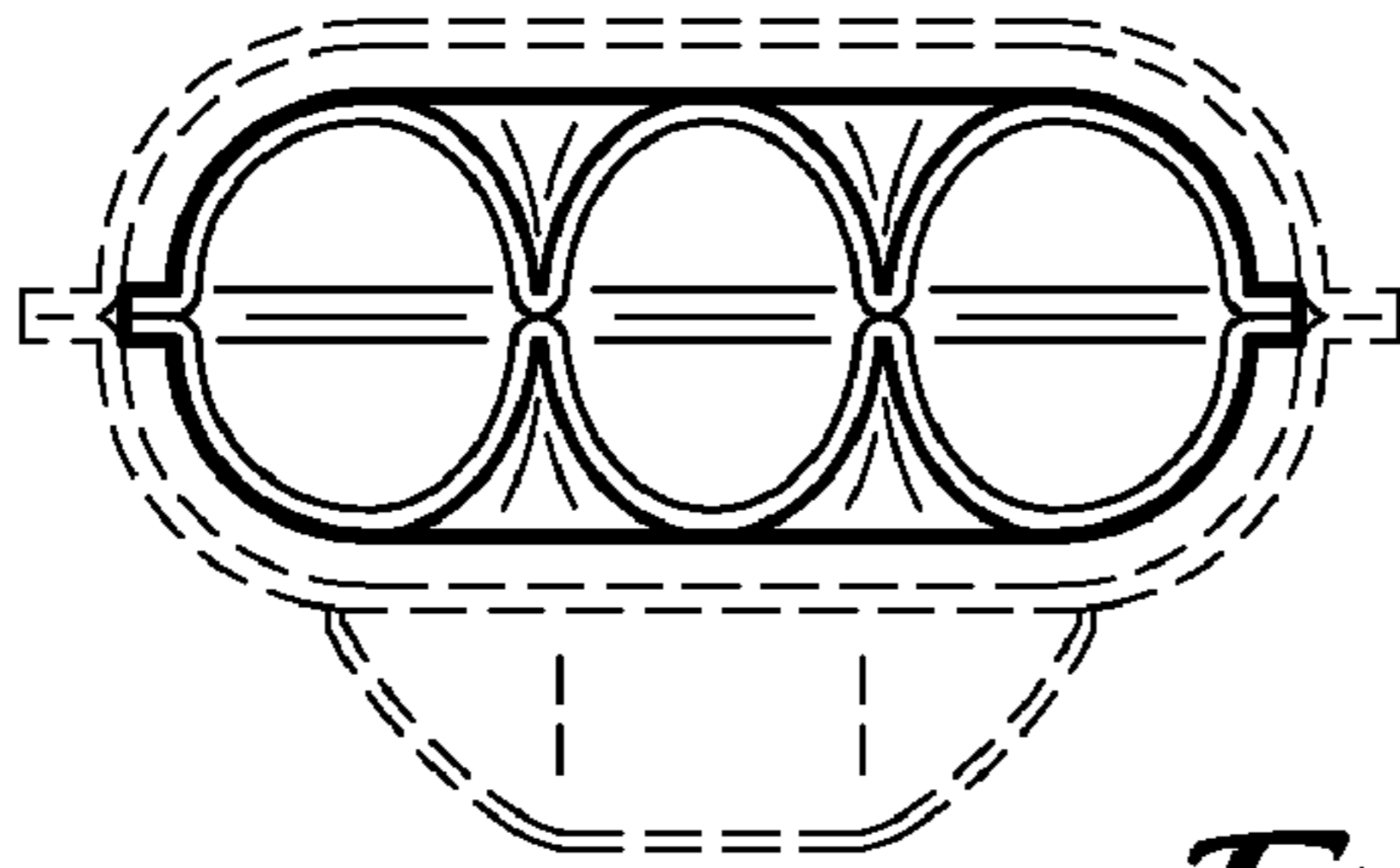


Fig. 7

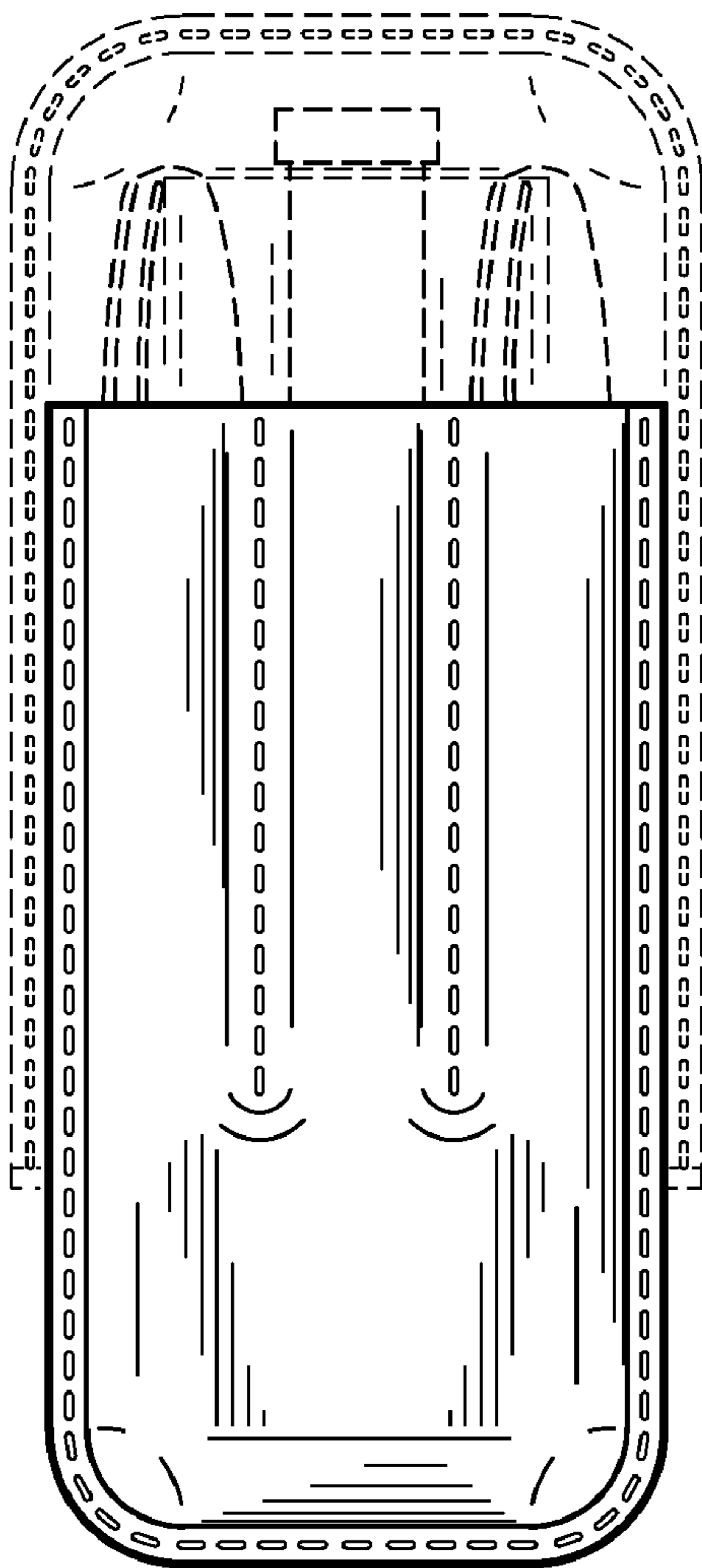


Fig. 8

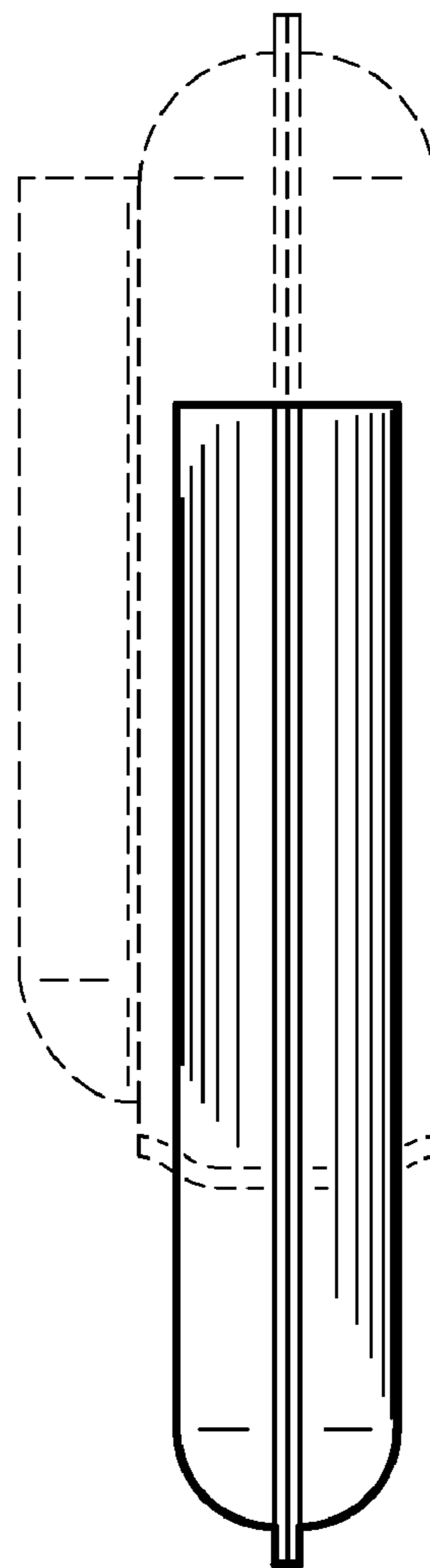


Fig. 9

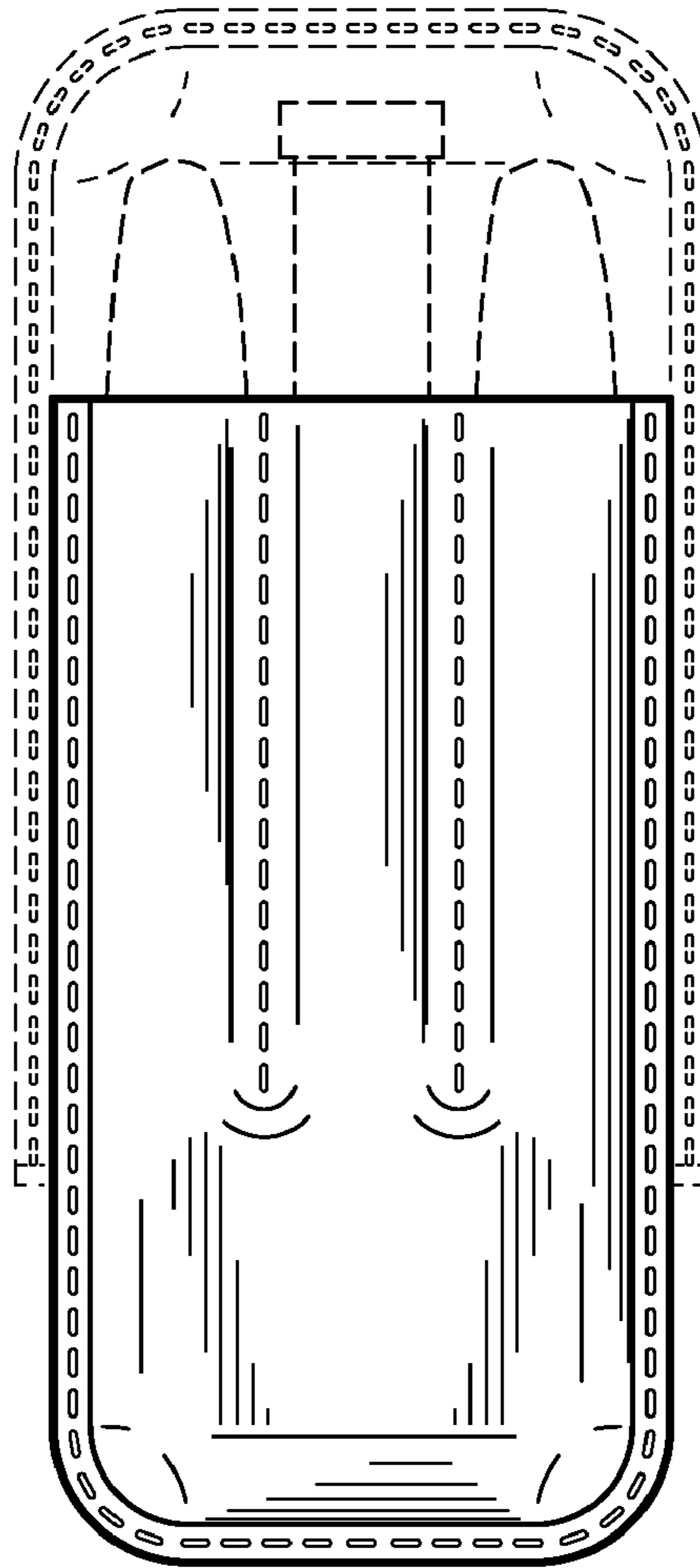


Fig. 10

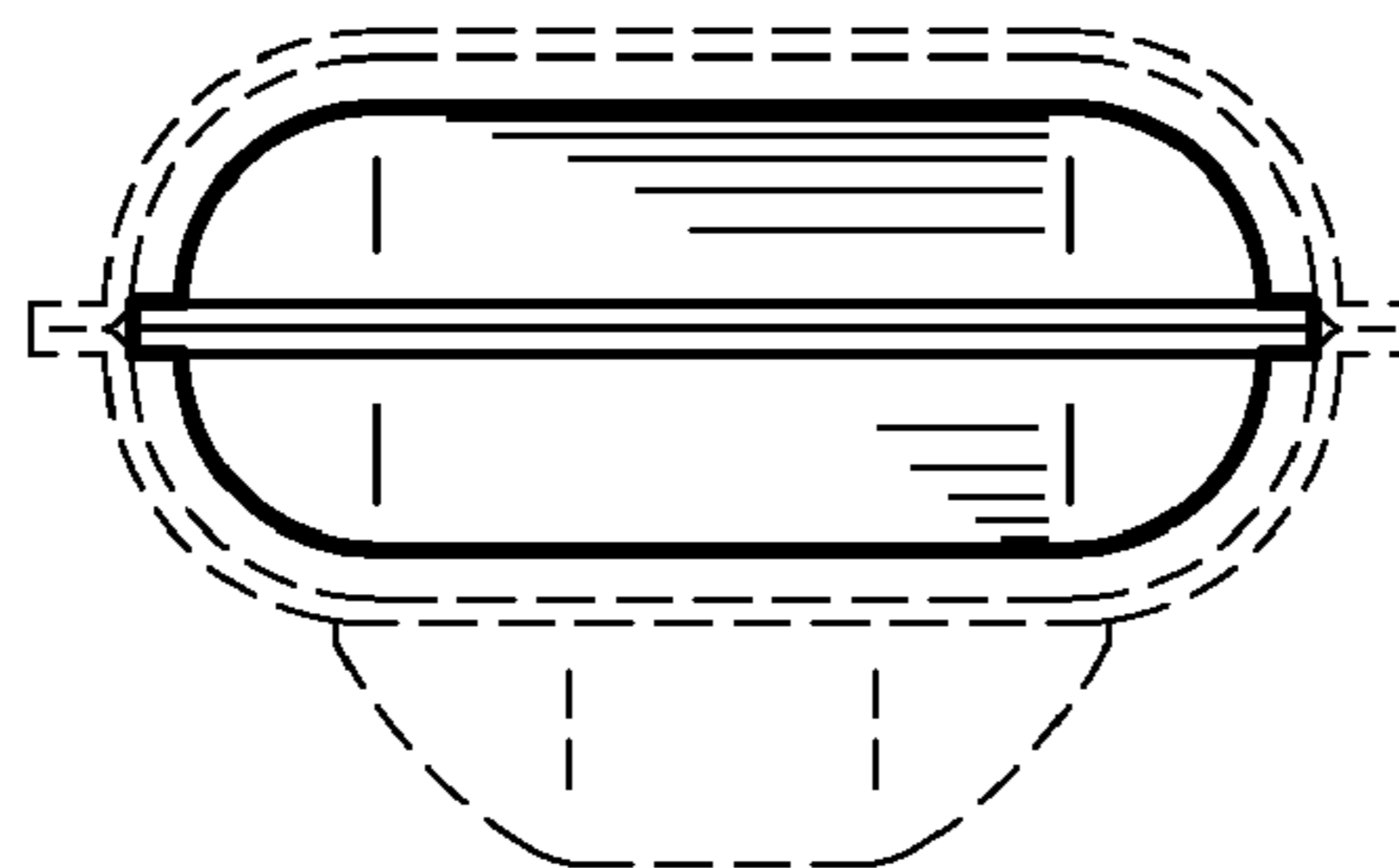


Fig. 11