



US00D591947S

(12) **United States Design Patent**  
**Williams**

(10) **Patent No.:** **US D591,947 S**

(45) **Date of Patent:** **\*\* May 12, 2009**

(54) **BEACH UMBRELLA AND STAKED BLANKET COMBINATION**

D383,900 S \* 9/1997 Bart ..... D3/6  
6,502,257 B1 \* 1/2003 Glenn ..... 135/16  
D499,880 S \* 12/2004 Wright ..... D3/5  
6,901,615 B1 \* 6/2005 Lombardo et al. .... 5/417  
D513,117 S \* 12/2005 Raede ..... D3/5

(76) Inventor: **Frank Williams**, 738 E. 88th St.,  
Brooklyn, NY (US) 11236

\* cited by examiner

(\*\*) Term: **14 Years**

*Primary Examiner*—Louis S Zarfaz

(21) Appl. No.: **29/280,069**

*Assistant Examiner*—Anhdao Doan

(22) Filed: **May 15, 2007**

(57) **CLAIM**

(51) **LOC (9) Cl.** ..... **03-03**

The ornamental design for a beach umbrella and staked combination, as shown and described.

(52) **U.S. Cl.** ..... **D3/5**

(58) **Field of Classification Search** ..... D3/5-17;  
135/15.1, 16-19, 19.5, 20.1, 25.1, 25.4, 98,  
135/114-116, 120.1, 120.2, 120.3

**DESCRIPTION**

See application file for complete search history.

FIG. 1 is a front elevation view of a beach umbrella and staked blanket combination showing my design with stakes and blanket shown separately for clarity of the illustration;

(56) **References Cited**

FIG. 2 is a rear elevation view thereof;

**U.S. PATENT DOCUMENTS**

FIG. 3 is a right elevation view thereof;

- 2,533,322 A 12/1950 Kober
- D222,206 S \* 10/1971 Lipson ..... D3/6
- 4,599,754 A 7/1986 Mairs, III et al.
- D288,613 S \* 3/1987 James et al. .... D3/5
- D330,455 S \* 10/1992 Massie ..... D3/5
- 5,347,667 A 9/1994 Schwarz et al.

FIG. 4 is a left elevation view thereof;

FIG. 5 is top plan view thereof; and,

FIG. 6 is a bottom plan view thereof.

**1 Claim, 6 Drawing Sheets**

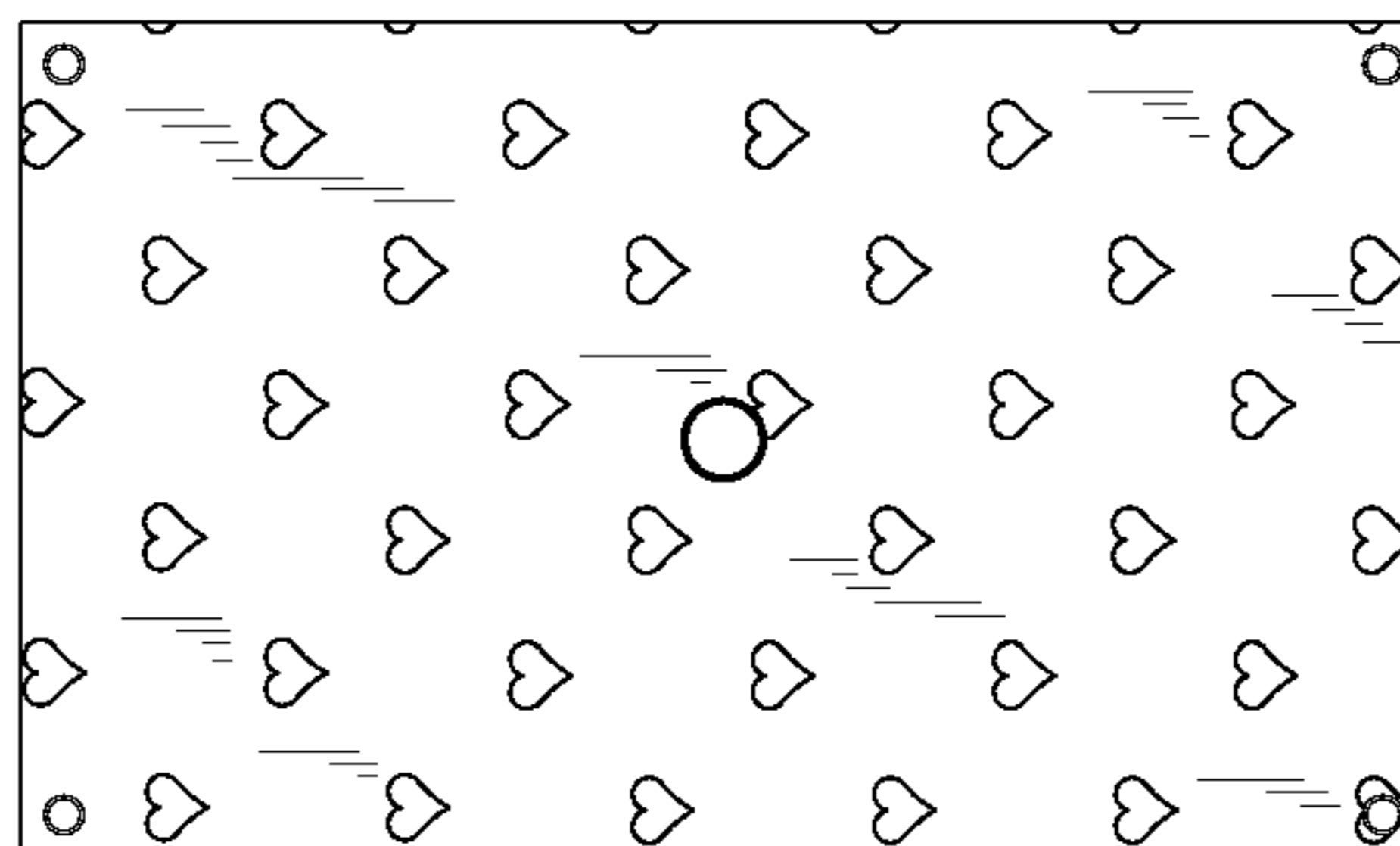
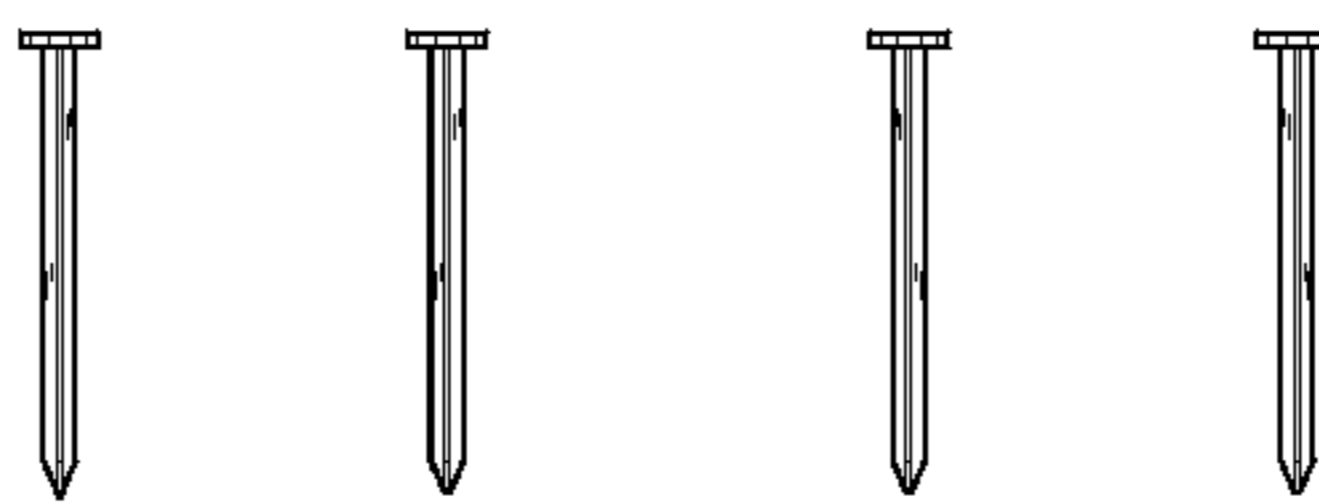
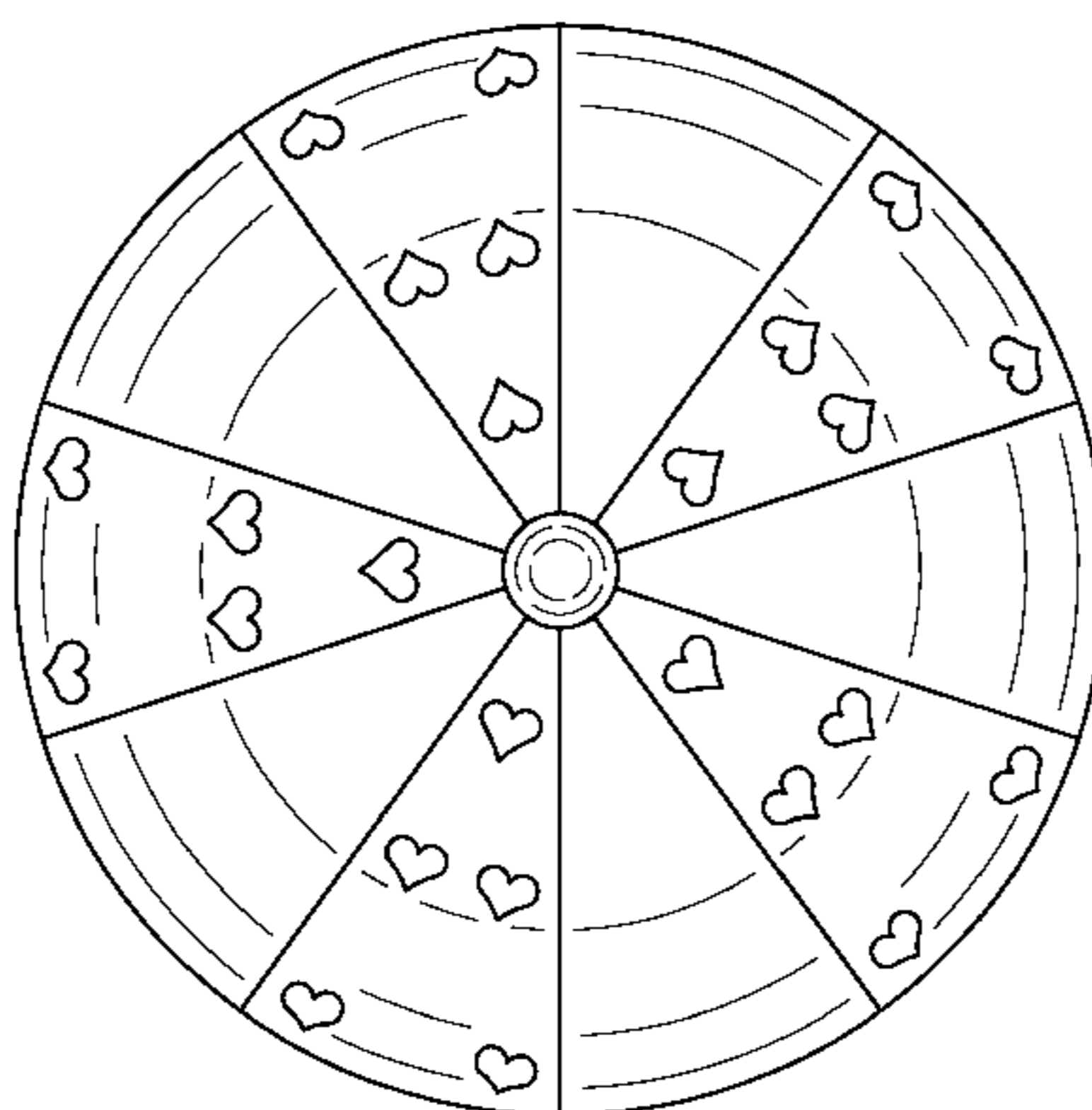
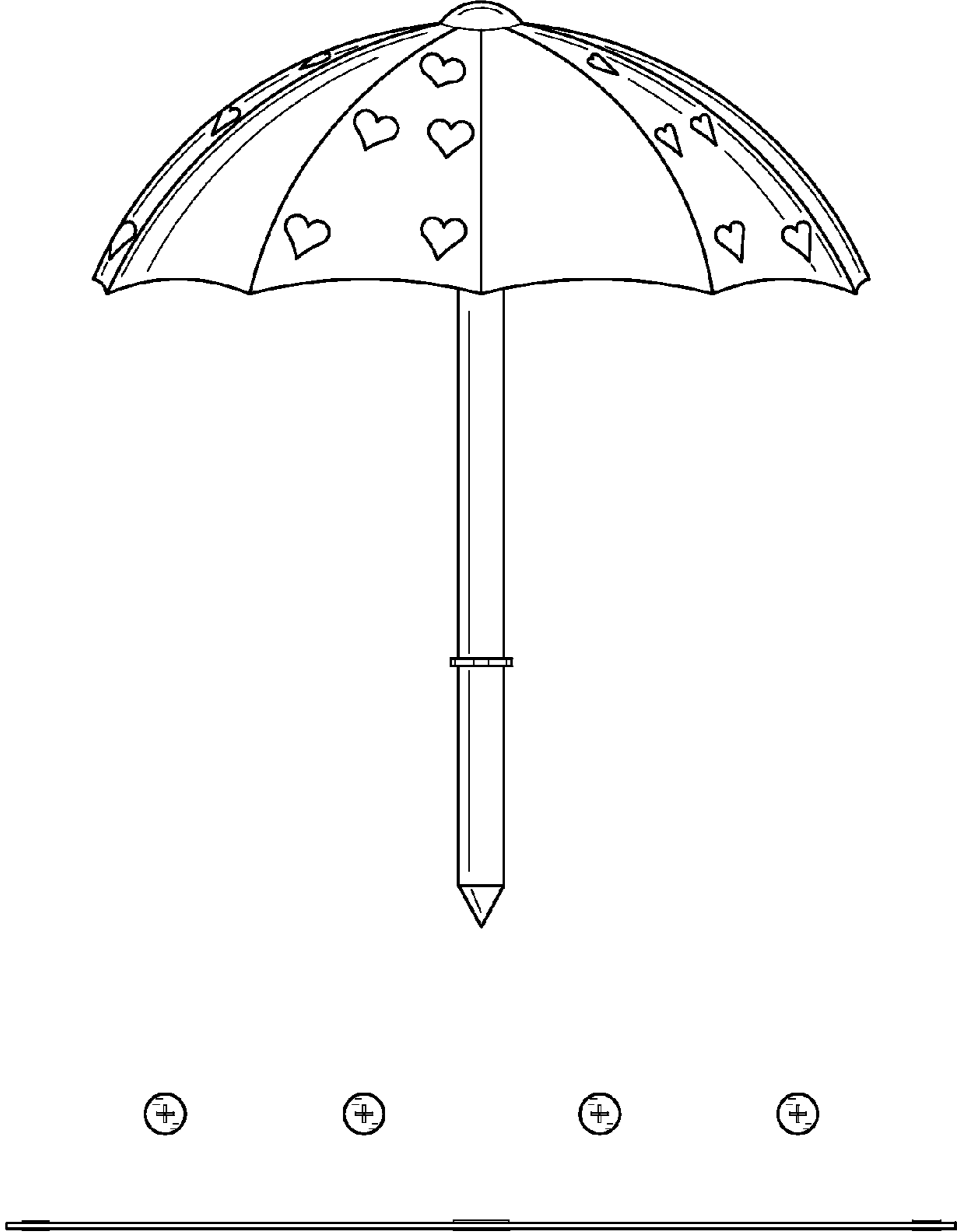
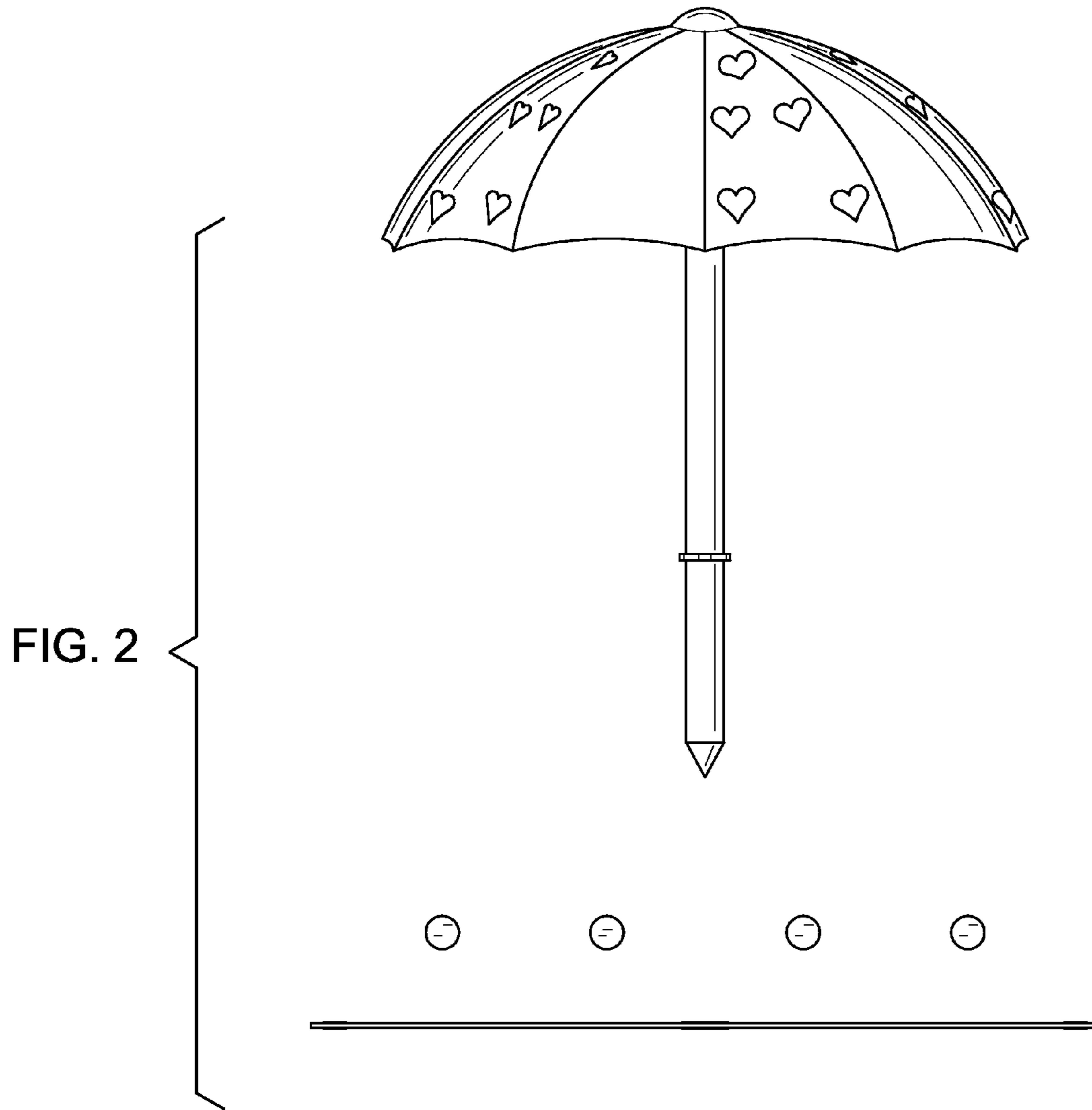
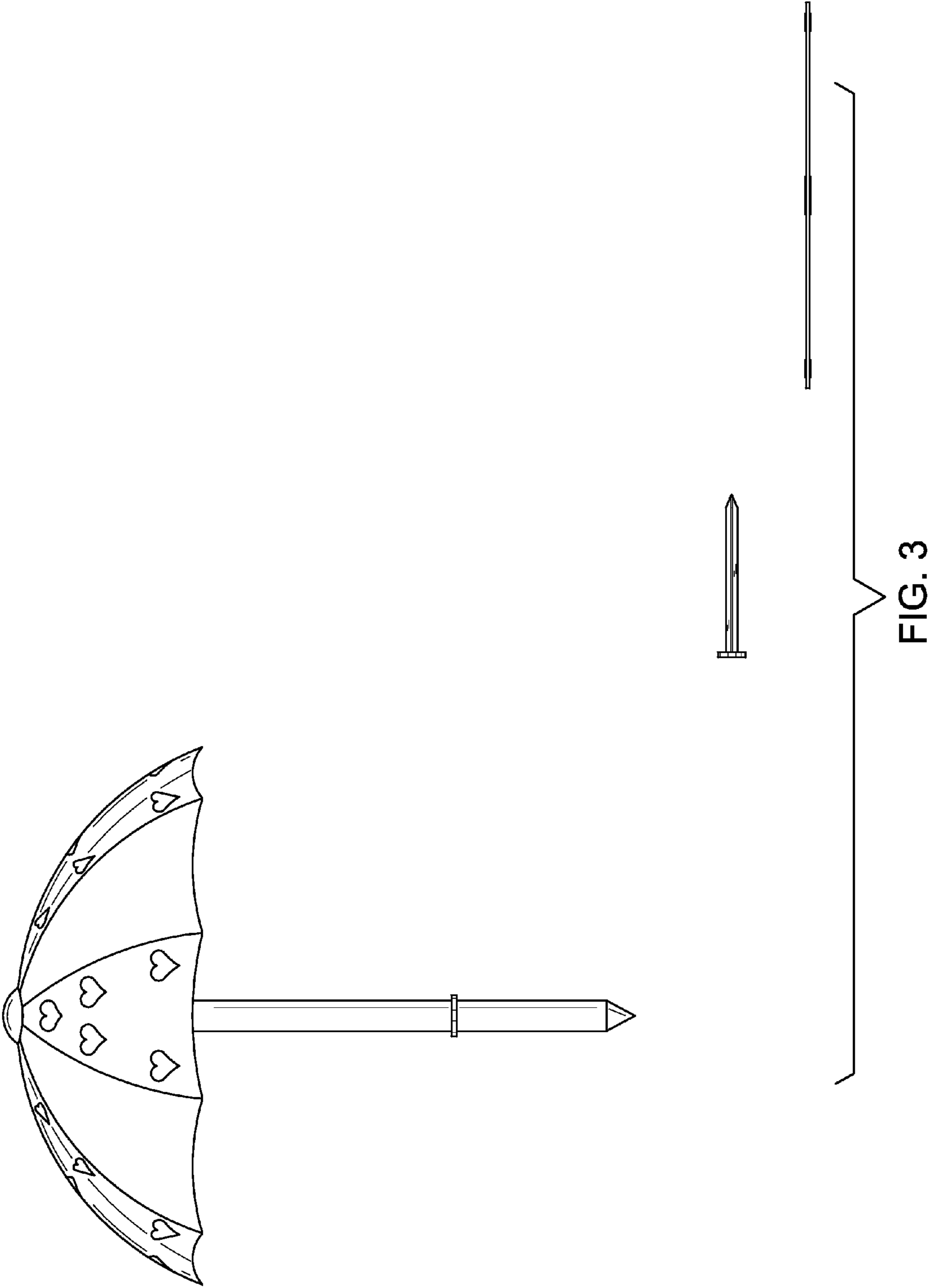


FIG. 1







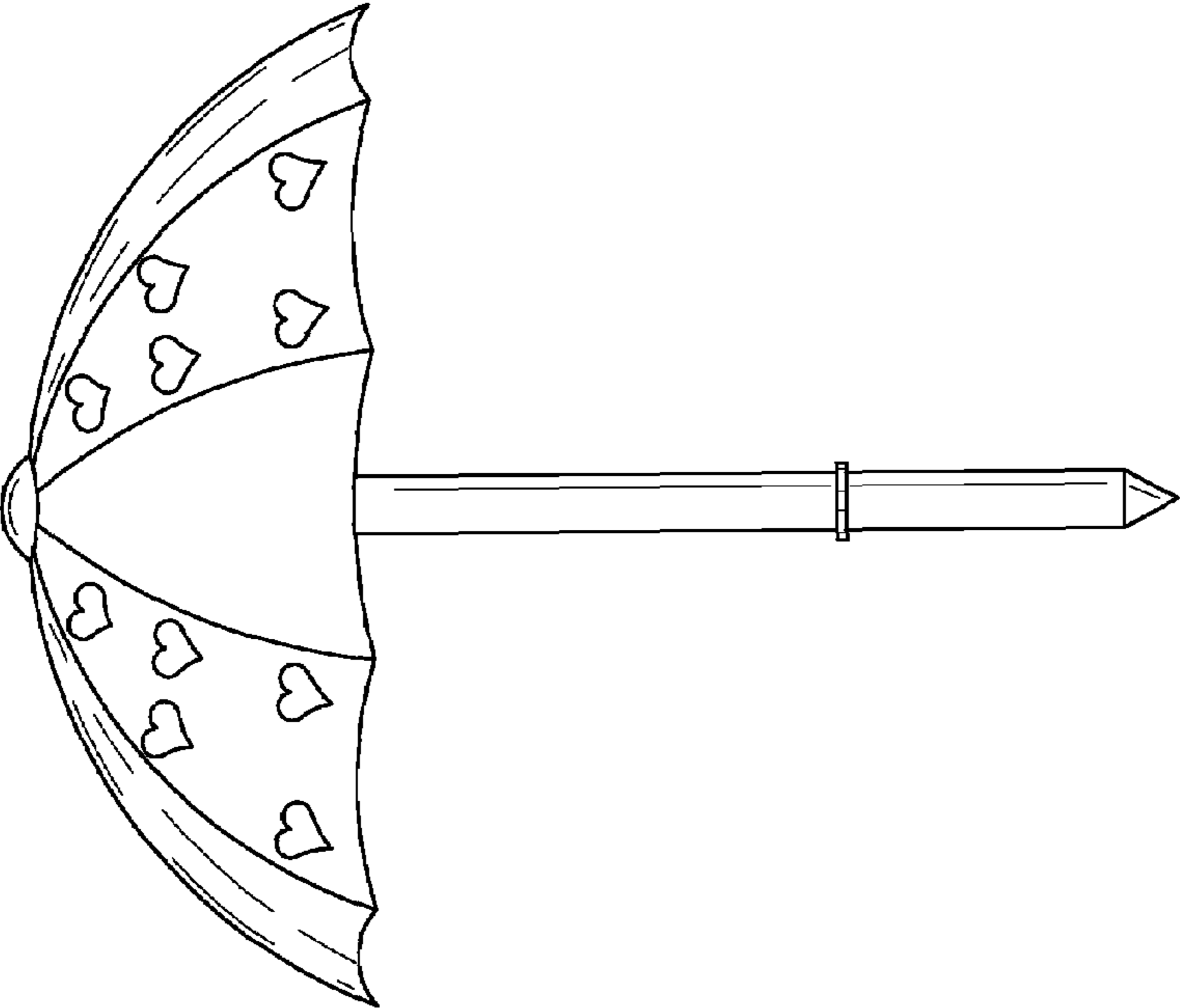


FIG. 4

FIG. 5

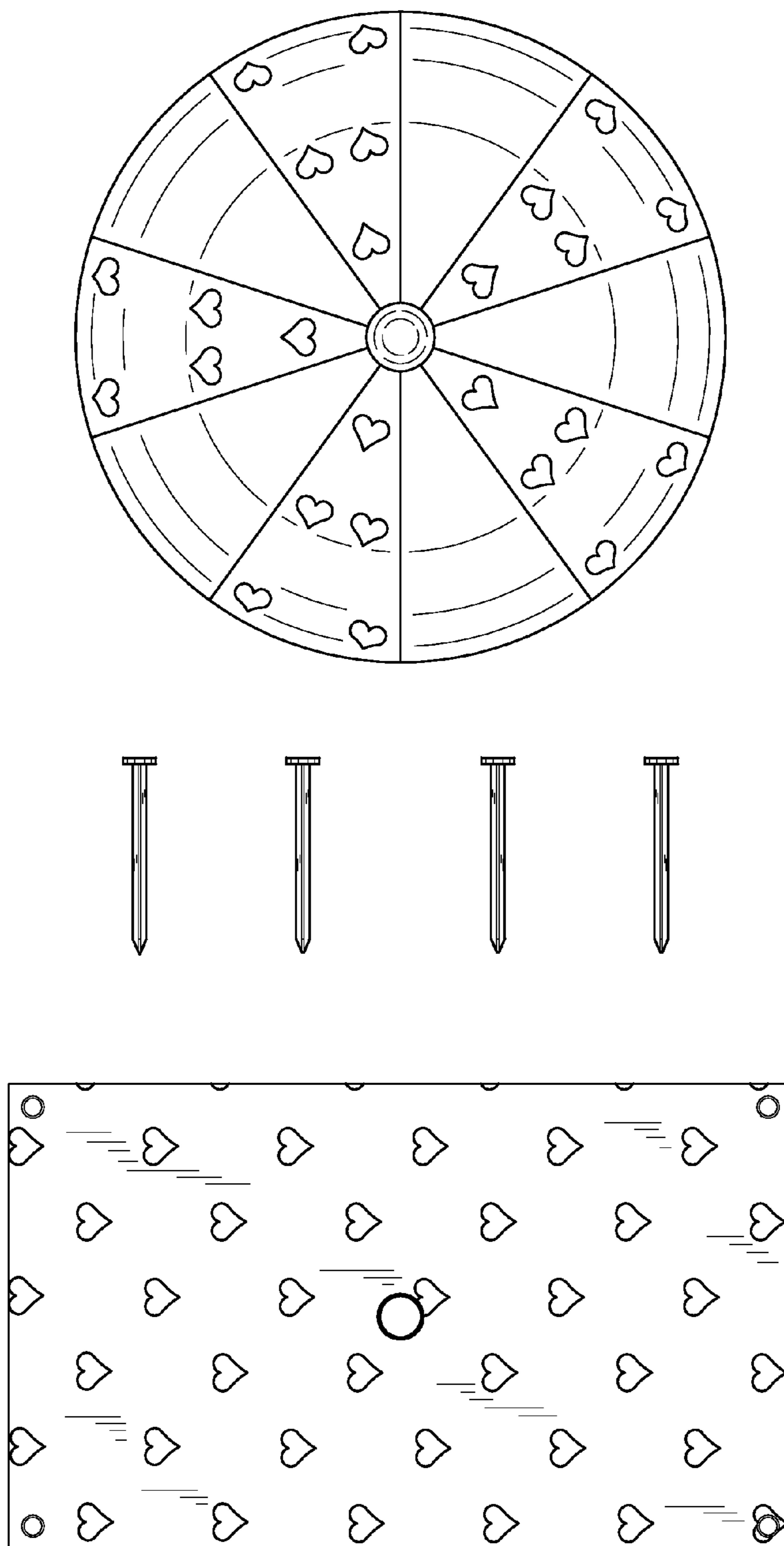


FIG. 6

