



US00D591927S

(12) **United States Design Patent**  
**Wilson et al.**

(10) **Patent No.:** **US D591,927 S**  
(45) **Date of Patent:** **\*\* May 12, 2009**

(54) **CHOCOLATE BAR**

(75) Inventors: **Susan (Sue) Wilson**, Bath (GB); **Lauren Brooking**, Cranbrook (GB); **Philip (Phil) Jenkins**, Newport (GB); **Robert (Rob) Wheatcroft**, Maidenhead (GB)

(73) Assignee: **MARS, Incorporated**, McLean, VA (US)

(\*\*) Term: **14 Years**

(21) Appl. No.: **29/299,205**

(22) Filed: **Dec. 20, 2007**

(51) **LOC (9) Cl.** ..... **01-01**

(52) **U.S. Cl.** ..... **D1/127**

(58) **Field of Classification Search** ..... D1/100–101, D1/121, 125, 127–128, 199; D21/386; D24/101, D24/104; D28/8.1; 426/76, 103, 122, 144, 426/660, 512, 515, 383

See application file for complete search history.

(56) **References Cited**

**U.S. PATENT DOCUMENTS**

2,082,313	A	*	6/1937	Todd	.....	426/445
2,134,026	A	*	10/1938	Brooks	.....	426/275
D246,941	S	*	1/1978	Kalt	.....	D1/129
D468,889	S	*	1/2003	Hayes-Jacobson et al.	...	D1/121
D473,993	S	*	5/2003	Hayes-Jacobson et al.	...	D1/121
D498,343	S	*	11/2004	Malina et al.	.....	D1/127
D499,228	S	*	12/2004	Malina et al.	.....	D1/127
D508,302	S	*	8/2005	Malina et al.	.....	D1/127

D522,212	S	*	6/2006	Martin et al.	.....	D1/127
D526,112	S	*	8/2006	Martin et al.	.....	D1/127
D579,577	S	*	10/2008	Joseph	.....	D25/113

\* cited by examiner

*Primary Examiner*—Cathron C Brooks

*Assistant Examiner*—Barbara Fox

(74) *Attorney, Agent, or Firm*—Arent Fox LLP

(57) **CLAIM**

The ornamental design for a chocolate bar, as shown and described.

**DESCRIPTION**

FIG. 1 is a perspective view of a chocolate bar showing our new design;

FIG. 2 is a top view of the design shown in FIG. 1;

FIG. 3 is a bottom view of the design shown in FIG. 1;

FIG. 4 is a left view of the design shown in FIG. 1;

FIG. 5 is a right view of the design shown in FIG. 1;

FIG. 6 is a rear view of the design shown in FIG. 1;

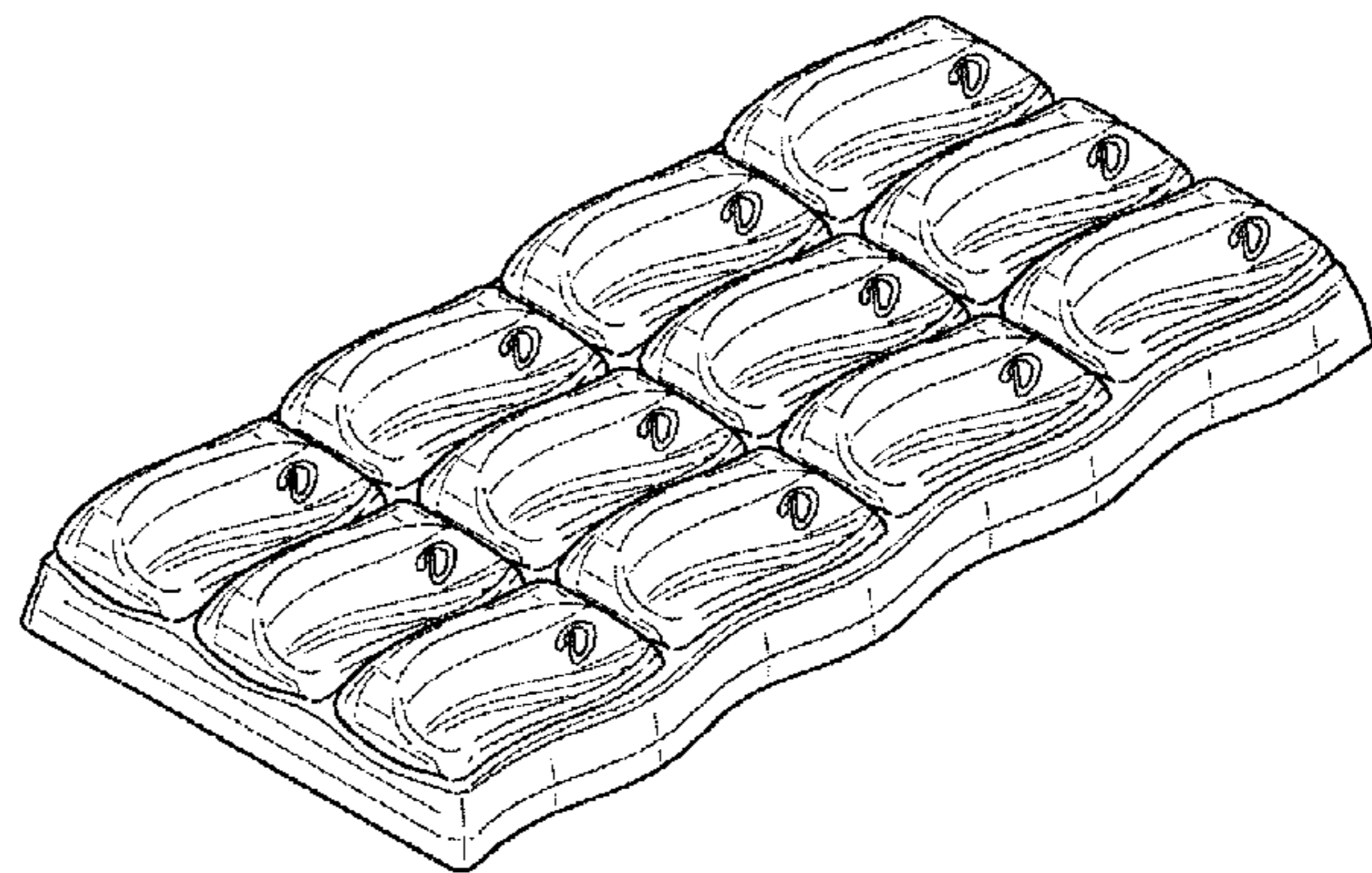
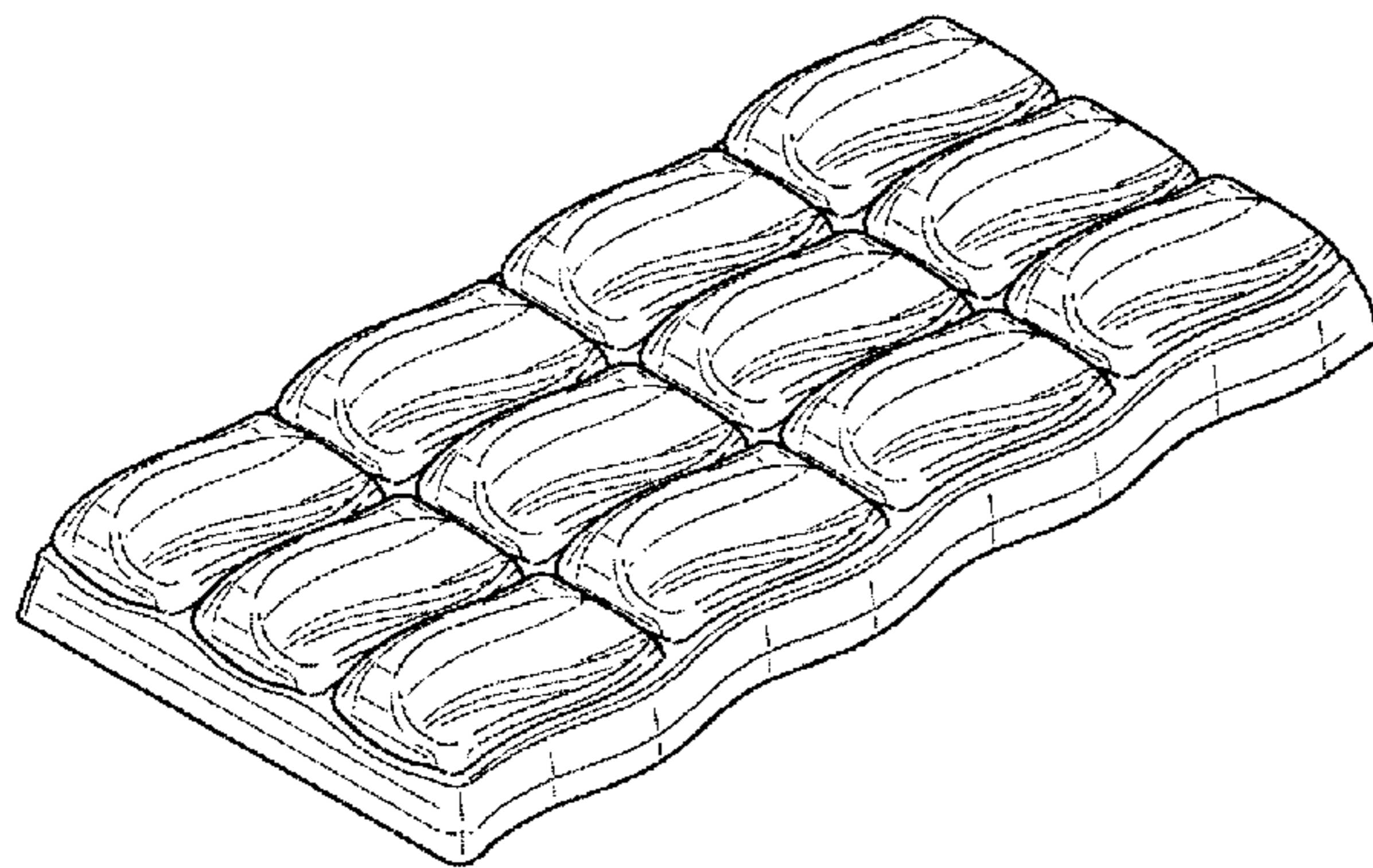
FIG. 7 is a front view of the design shown in FIG. 1;

FIG. 8 is a perspective view of a chocolate bar showing our new design according to a second embodiment;

FIG. 9 is a top view of the design shown in FIG. 8; and,

FIG. 10 is a front view of the design shown in FIG. 8, the bottom, left, right and rear views being identical to those in FIGS. 3–6, respectively.

**1 Claim, 5 Drawing Sheets**



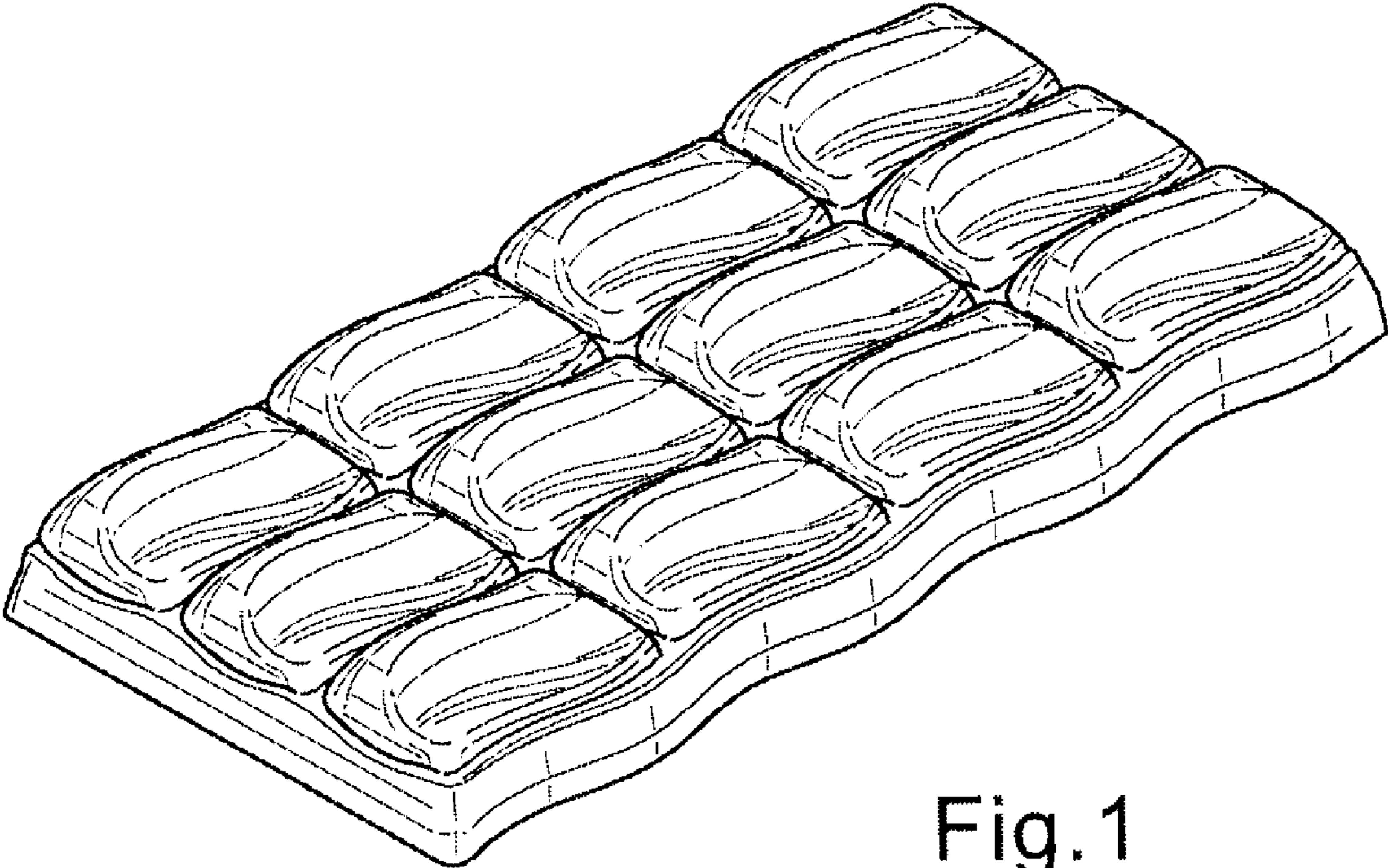


Fig. 1

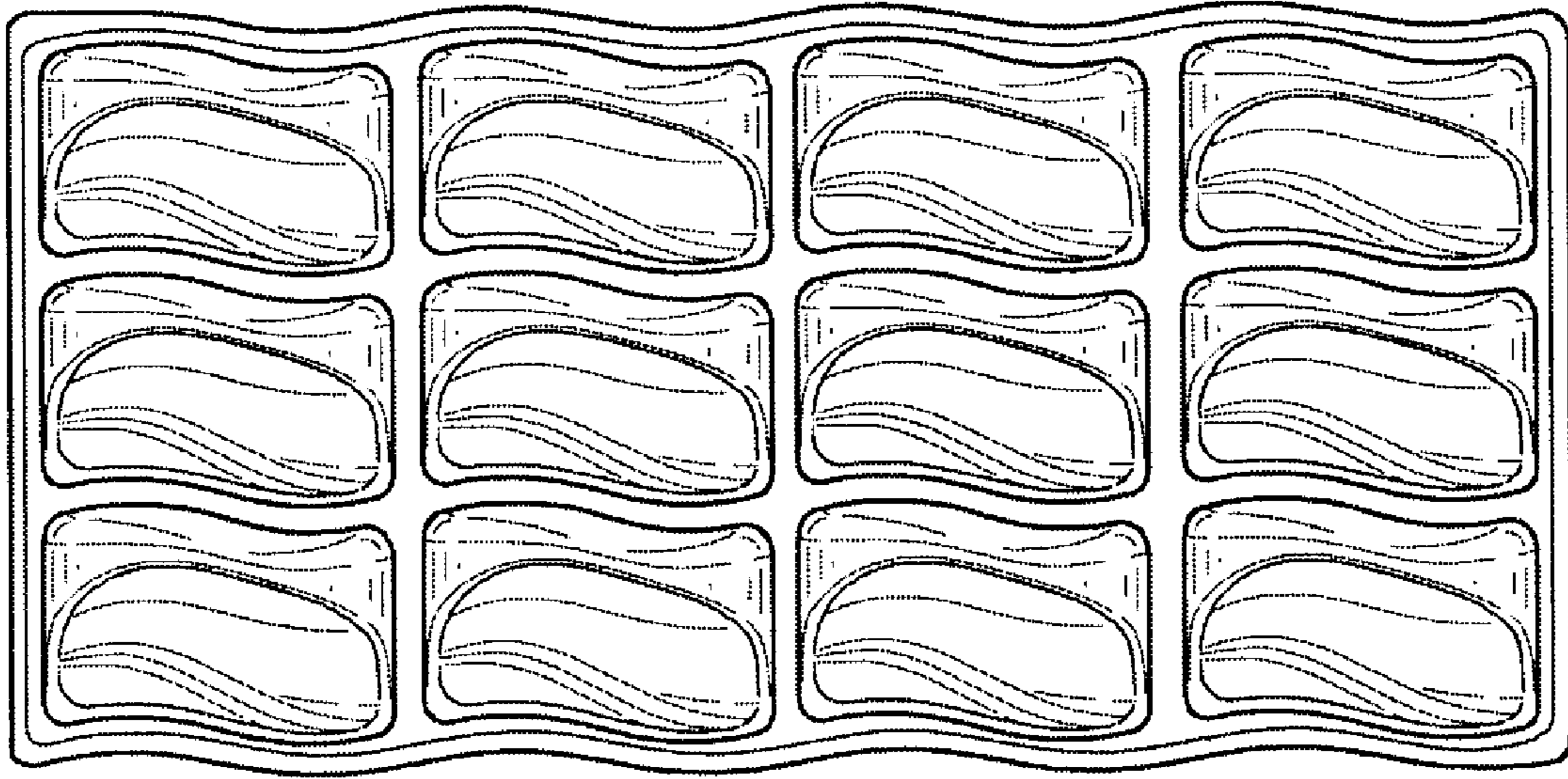


Fig.2

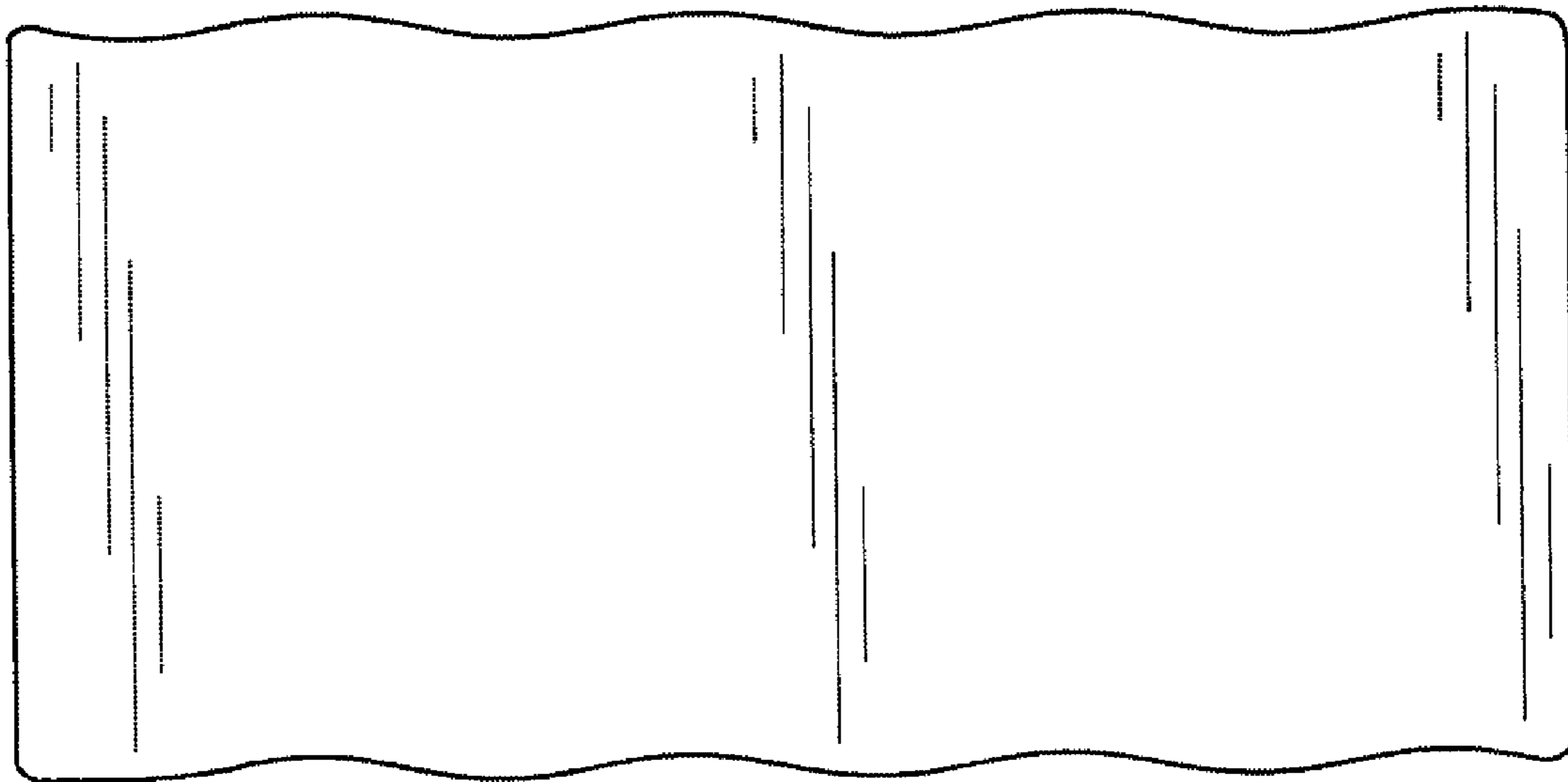


Fig.3

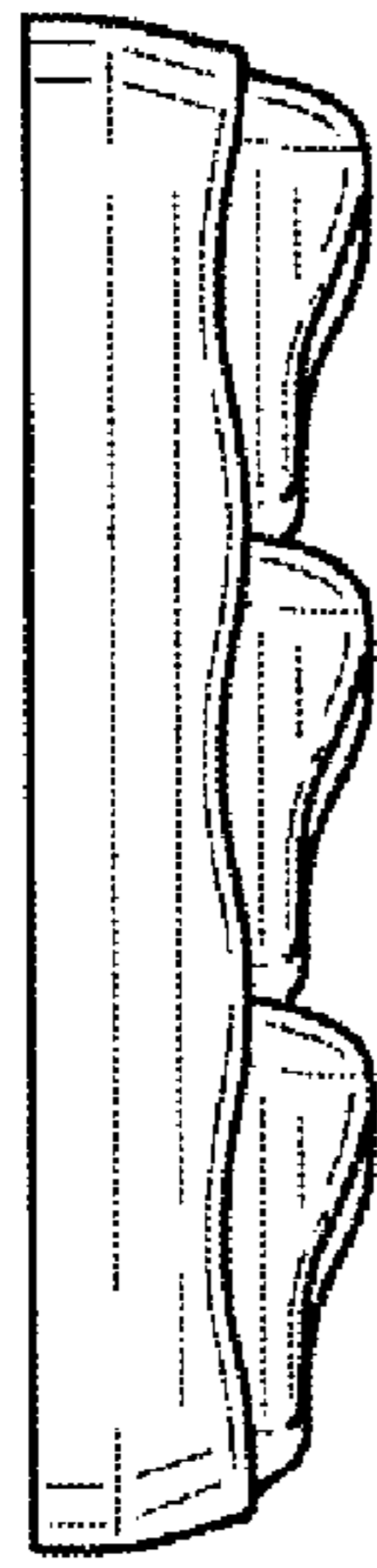


Fig.4

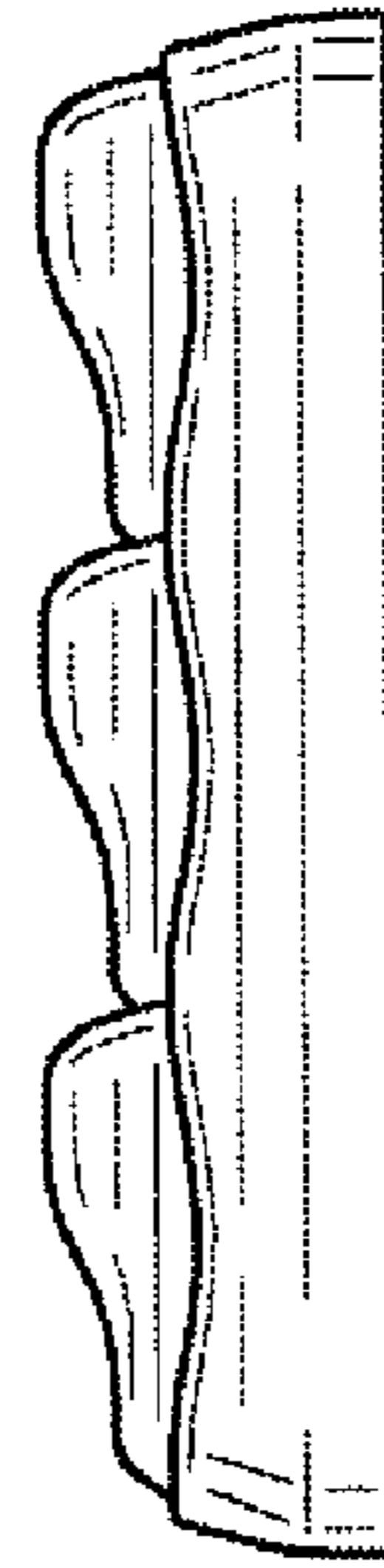


Fig.5



Fig.6

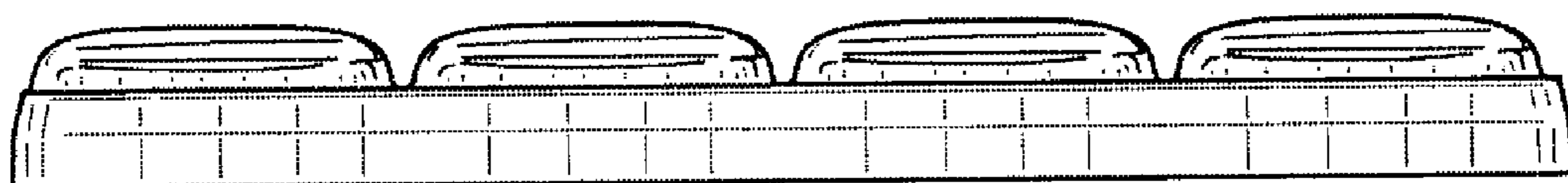


Fig.7

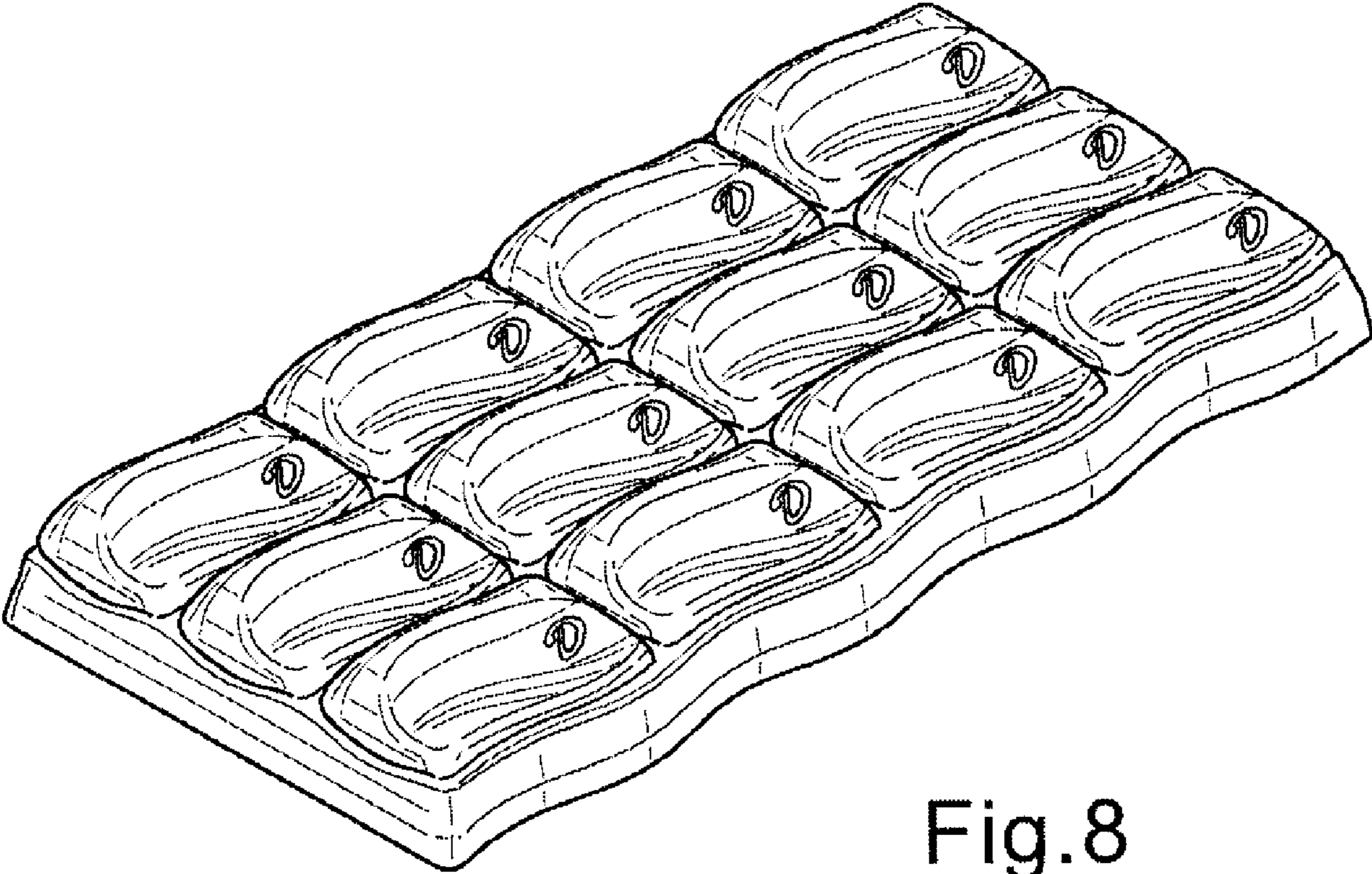


Fig.8

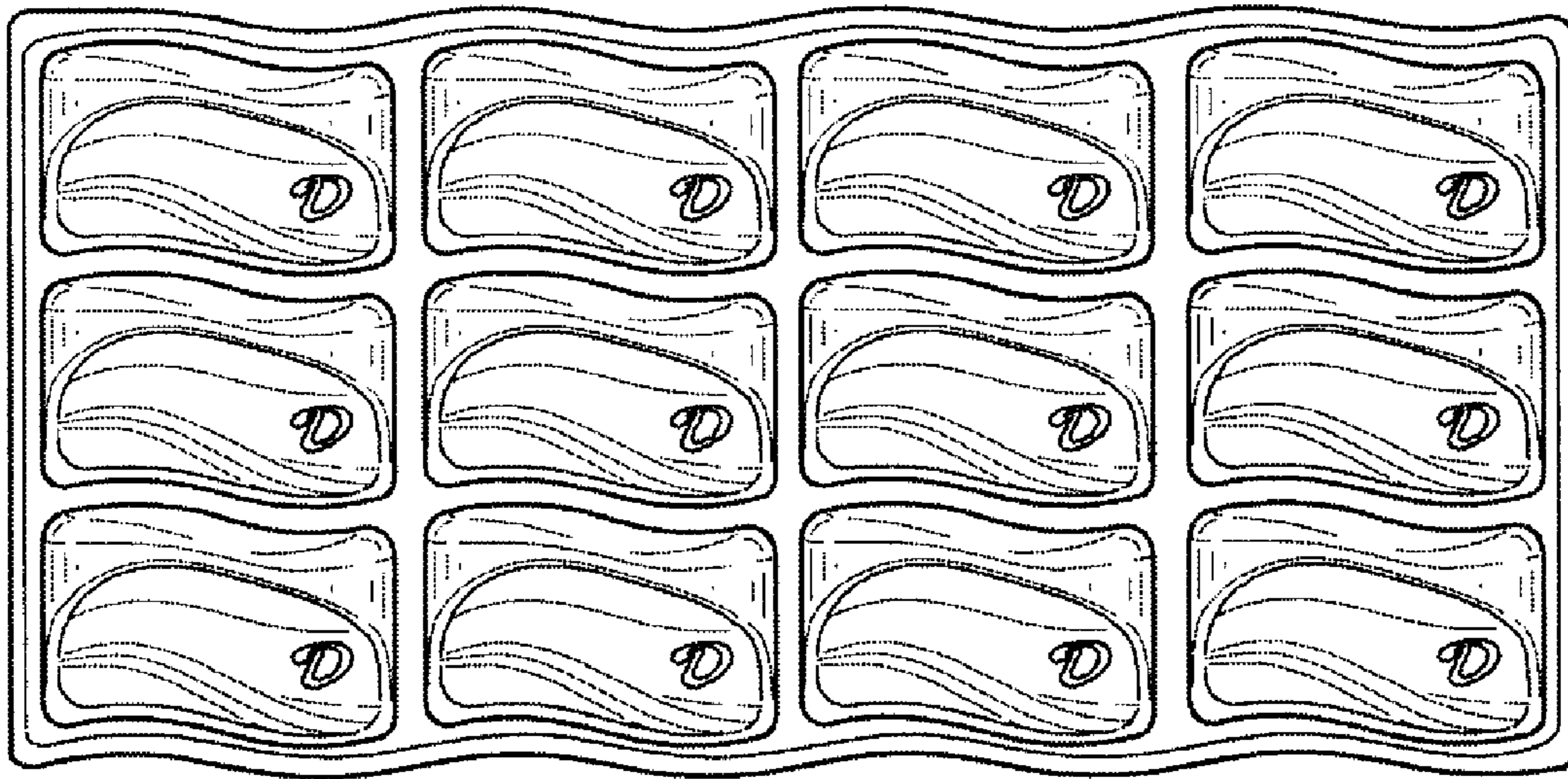


Fig.9

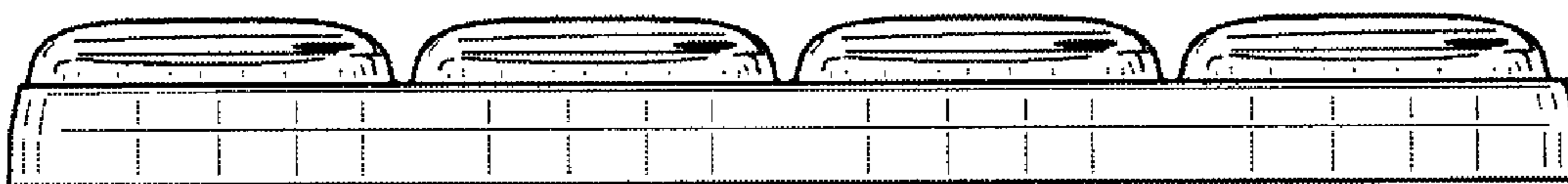


Fig.10