



US00D591926S

(12) **United States Design Patent**  
**Jia et al.**

(10) **Patent No.:** **US D591,926 S**

(45) **Date of Patent:** **\*\* May 12, 2009**

(54) **PET CHEW**

(75) Inventors: **Tiandong Jia**, Bound Brook, NJ (US);  
**Robert T Sulikowski**, East Rutherford,  
NJ (US); **Kim Cassar**, Fair Lawn, NJ  
(US); **Laura Donahue**, North  
Ridgeville, OH (US)

(73) Assignee: **The Hartz Mountain Corporation**,  
Secaucus, NJ (US)

(\*\*) Term: **14 Years**

(21) Appl. No.: **29/306,614**

(22) Filed: **Apr. 11, 2008**

(51) **LOC (9) Cl.** ..... **01-01**

(52) **U.S. Cl.** ..... **D1/125**

(58) **Field of Classification Search** ..... D1/100,  
D1/106, 120, 125, 127-128, 199; D30/160;  
D24/102, 103; 426/2, 104, 635, 805; 119/706-711  
See application file for complete search history.

(56) **References Cited**

U.S. PATENT DOCUMENTS

3,344,457 A \* 10/1967 Grobert ..... 15/207.2  
D437,101 S \* 2/2001 Debbouz et al. .... D1/126  
6,207,216 B1 \* 3/2001 Zietlow et al. .... 426/564  
D476,379 S \* 6/2003 Manville ..... D21/484

D509,045 S \* 9/2005 Buckley et al. .... D1/199  
D515,275 S \* 2/2006 Leiweke et al. .... D1/125  
D534,706 S \* 1/2007 Cuadrado ..... D1/125  
D535,108 S \* 1/2007 Ping Sheng ..... D5/99  
D536,537 S \* 2/2007 Ping Sheng ..... D5/99  
D538,506 S \* 3/2007 Mendes et al. .... D1/122

\* cited by examiner

*Primary Examiner*—Cathron C Brooks

*Assistant Examiner*—Barbara Fox

(74) *Attorney, Agent, or Firm*—Stroock & Stroock & Lavan  
LLP

(57) **CLAIM**

The ornamental design for a pet chew, as shown.

**DESCRIPTION**

FIG. 1 is a perspective view of a pet chew in accordance with  
an embodiment of the invention;

FIG. 2 is a front elevational view thereof;

FIG. 3 is a front elevational view thereof rotated ninety  
degrees;

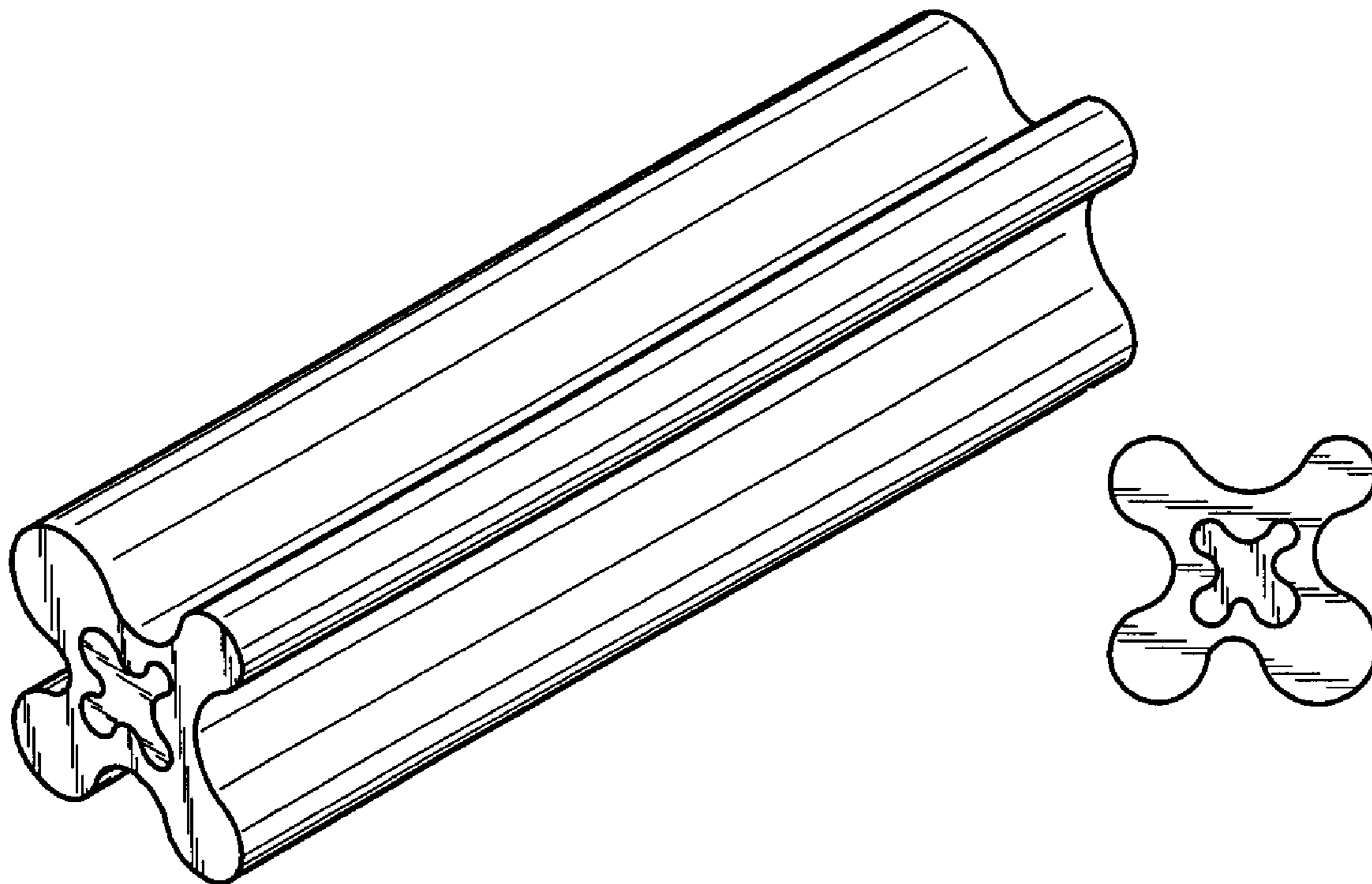
FIG. 4 is a right side elevational view thereof;

FIG. 5 is a top planar view thereof;

FIG. 6 is a left side elevational view thereof; and,

FIG. 7 is a bottom planar view thereof.

**1 Claim, 1 Drawing Sheet**



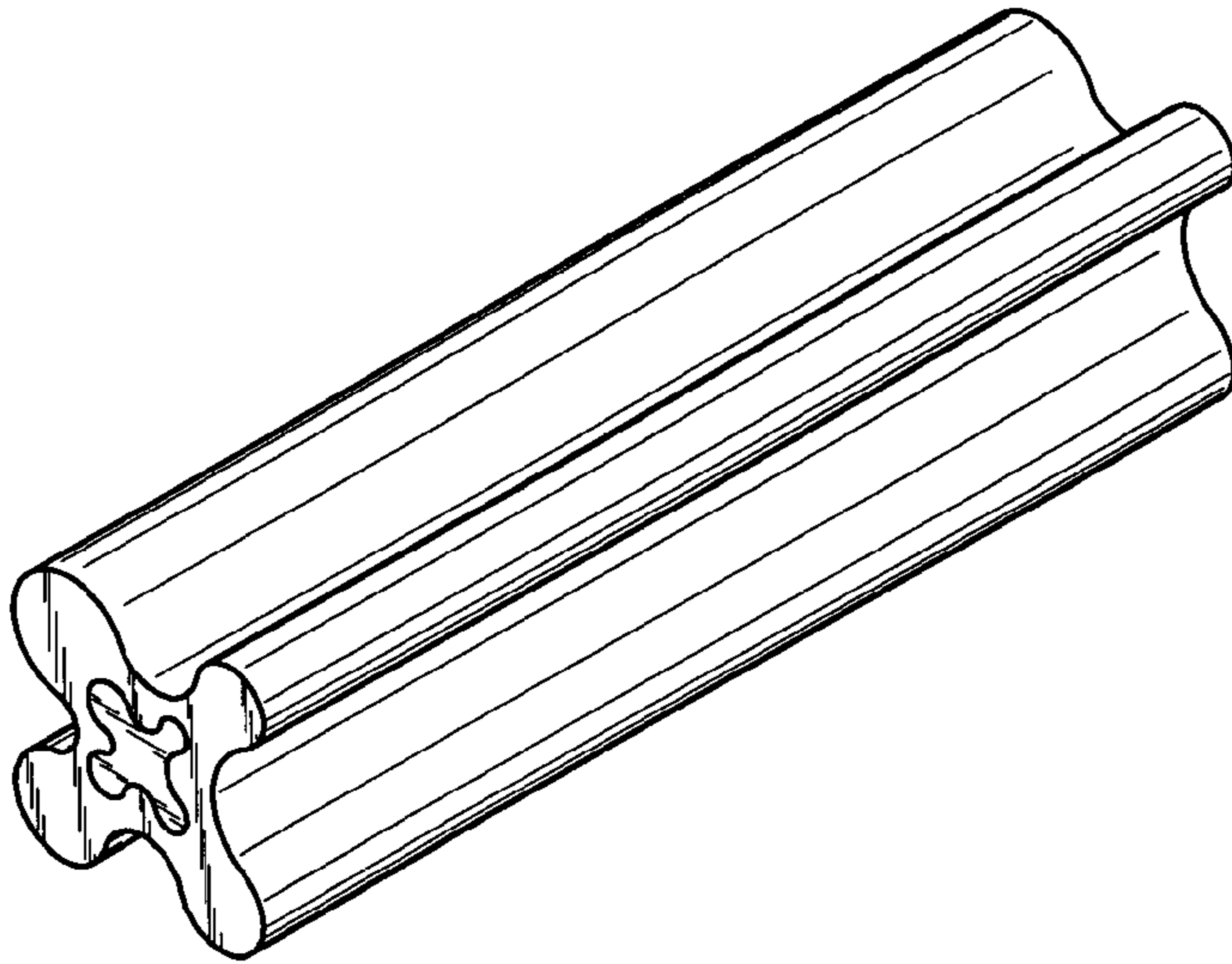


Fig.1

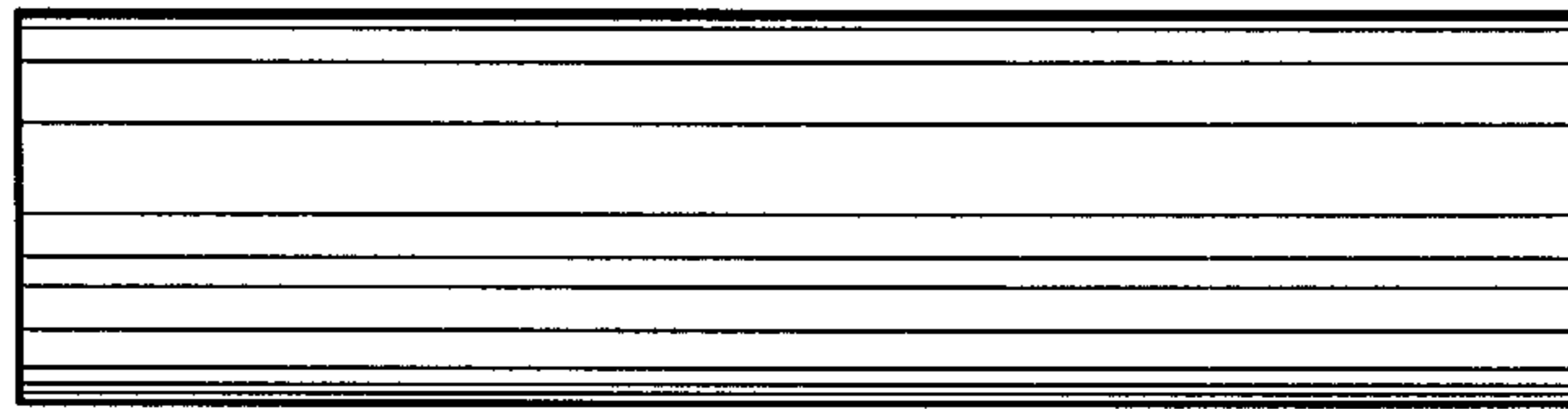


Fig.4

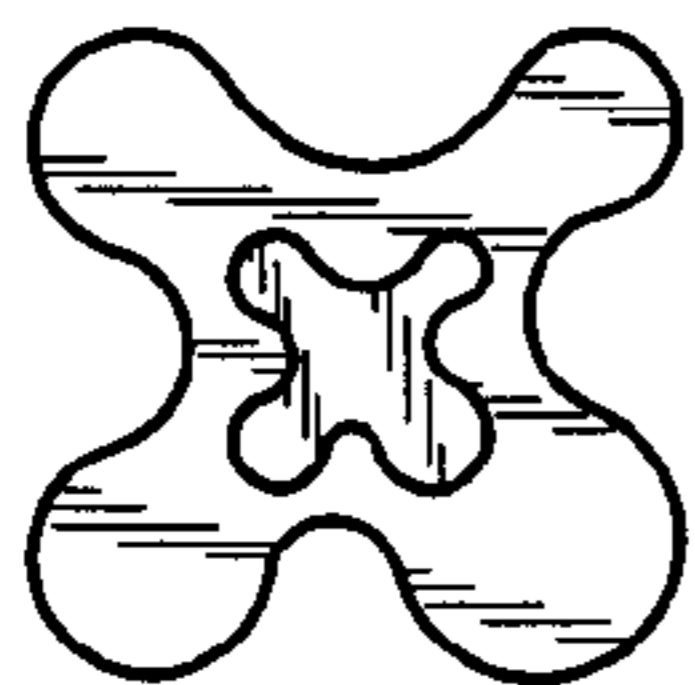


Fig.2

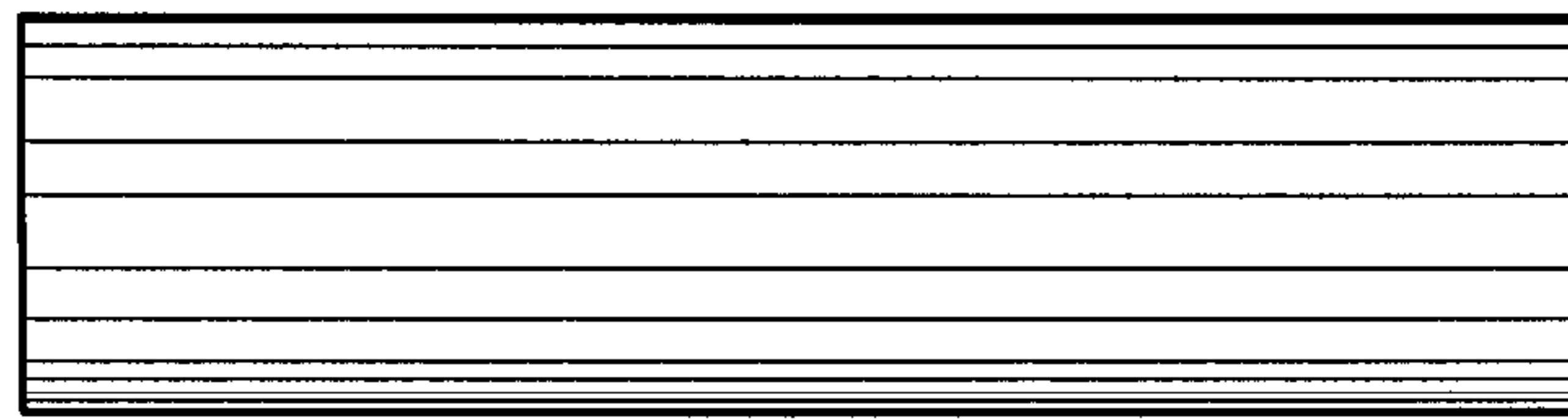


Fig.5

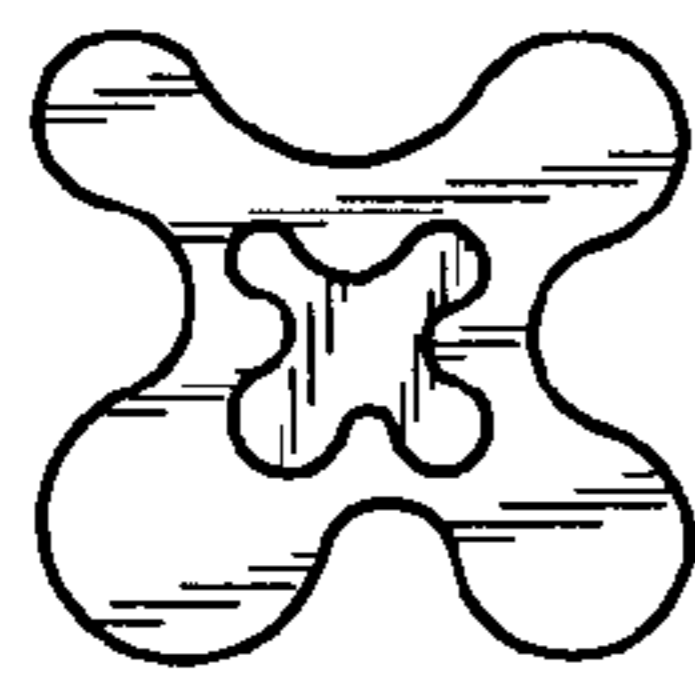


Fig.3

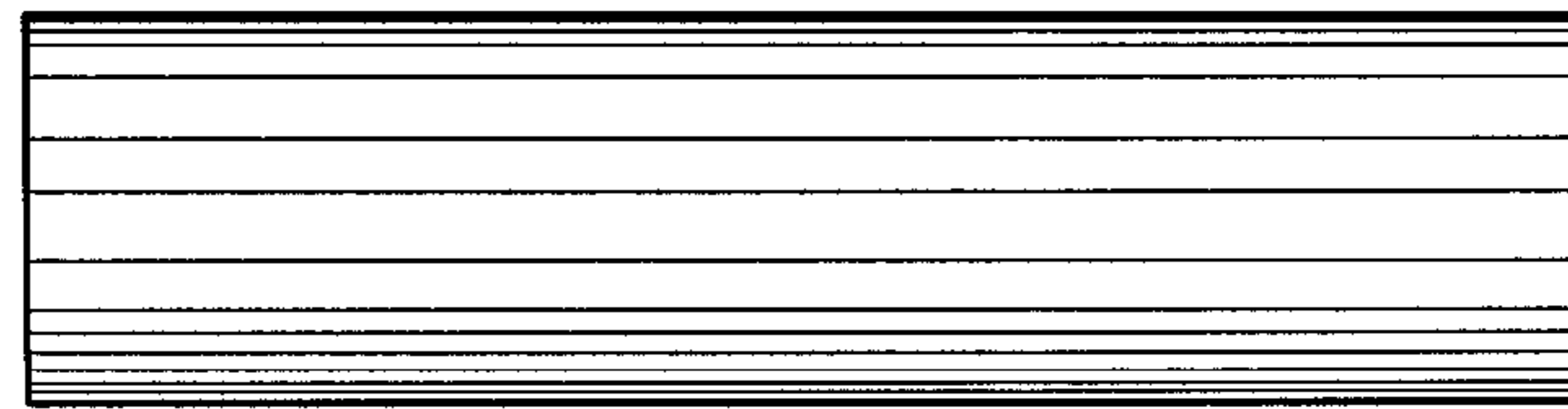


Fig.6

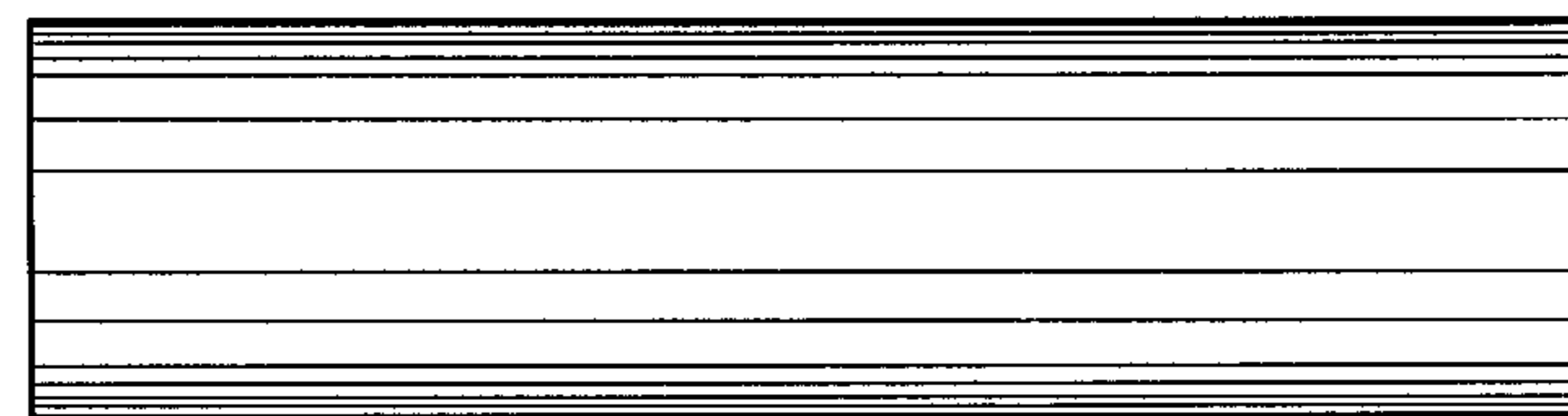


Fig.7