



US00D591925S

(12) **United States Design Patent**  
**Roesch, Jr.**

(10) **Patent No.:** **US D591,925 S**  
(45) **Date of Patent:** **\*\* May 5, 2009**

(54) **COIN DISPLAY BOOK**

(76) Inventor: **Robert L. Roesch, Jr.**, 126 Twin Mountain Rd., Whitefield, NH (US) 03598

(\*\*) Term: **14 Years**

(21) Appl. No.: **29/281,356**

(22) Filed: **Jun. 21, 2007**

(51) **LOC (9) Cl.** ..... **03-01**

(52) **U.S. Cl.** ..... **D99/34**

(58) **Field of Classification Search** ..... D99/34-43, D99/99; D21/512; 232/4 R; 206/0.81-0.82, 206/0.83-0.84, 391, 486, 472; 281/15.1, 281/38; D6/300-301; 40/537; 229/92.9  
See application file for complete search history.

(56) **References Cited**

**U.S. PATENT DOCUMENTS**

|           |      |         |               |       |          |
|-----------|------|---------|---------------|-------|----------|
| 618,497   | A *  | 1/1899  | Crabb         | ..... | 229/92.9 |
| 1,419,065 | A *  | 6/1922  | Lichter       | ..... | 232/5    |
| D71,074   | S *  | 9/1926  | Moreland      | ..... | D19/29   |
| D71,153   | S *  | 9/1926  | Moreland      | ..... | D19/31   |
| 1,719,962 | A *  | 7/1929  | Beistle       | ..... | 206/0.8  |
| 2,860,774 | A *  | 11/1958 | Ball          | ..... | 206/0.84 |
| 3,217,866 | A *  | 11/1965 | Phelps        | ..... | 206/0.83 |
| 3,348,763 | A *  | 10/1967 | Weston        | ..... | 229/92.9 |
| 3,487,919 | A *  | 1/1970  | Cowles et al. | ..... | 206/391  |
| D240,816  | S *  | 8/1976  | Peterson      | ..... | D19/33   |
| D242,960  | S *  | 1/1977  | Stanley       | ..... | D99/34   |
| 4,429,787 | A *  | 2/1984  | Morse         | ..... | 206/0.83 |
| 5,069,261 | A    | 12/1991 | Ji            |       |          |
| 5,119,574 | A    | 6/1992  | King          |       |          |
| 5,191,972 | A    | 3/1993  | Helzer et al. |       |          |
| 5,752,336 | A *  | 5/1998  | Haynes        | ..... | 40/323   |
| D450,346  | S    | 11/2001 | Hiller        |       |          |
| 6,453,592 | B1 * | 9/2002  | Pliler et al. | ..... | 40/776   |
| 6,607,075 | B1   | 8/2003  | Galvani       |       |          |
| D503,025  | S    | 3/2005  | Taylor        |       |          |

D570,075 S \* 5/2008 Wood et al. .... D99/34

\* cited by examiner

*Primary Examiner*—Robert M Spear

*Assistant Examiner*—Susan E Krakower

(74) *Attorney, Agent, or Firm*—Daniels Patent Law PLLC; Scott A. Daniels

(57) **CLAIM**

I claim the ornamental design for a coin display book, as shown and described.

**DESCRIPTION**

FIG. 1 is a perspective view of a first embodiment of a coin display book, in a closed configuration;

FIG. 2 is a front elevational view thereof, in a closed configuration;

FIG. 3 is a rear view thereof, in a closed configuration;

FIG. 4 is a left side elevational view thereof, in a closed configuration;

FIG. 5 is a right side elevational view thereof, in a closed configuration;

FIG. 6 is a top plan view thereof, in a closed configuration;

FIG. 7 is a perspective view thereof, in an open configuration;

FIG. 8 is a perspective view of another embodiment of a coin display book, in a closed configuration;

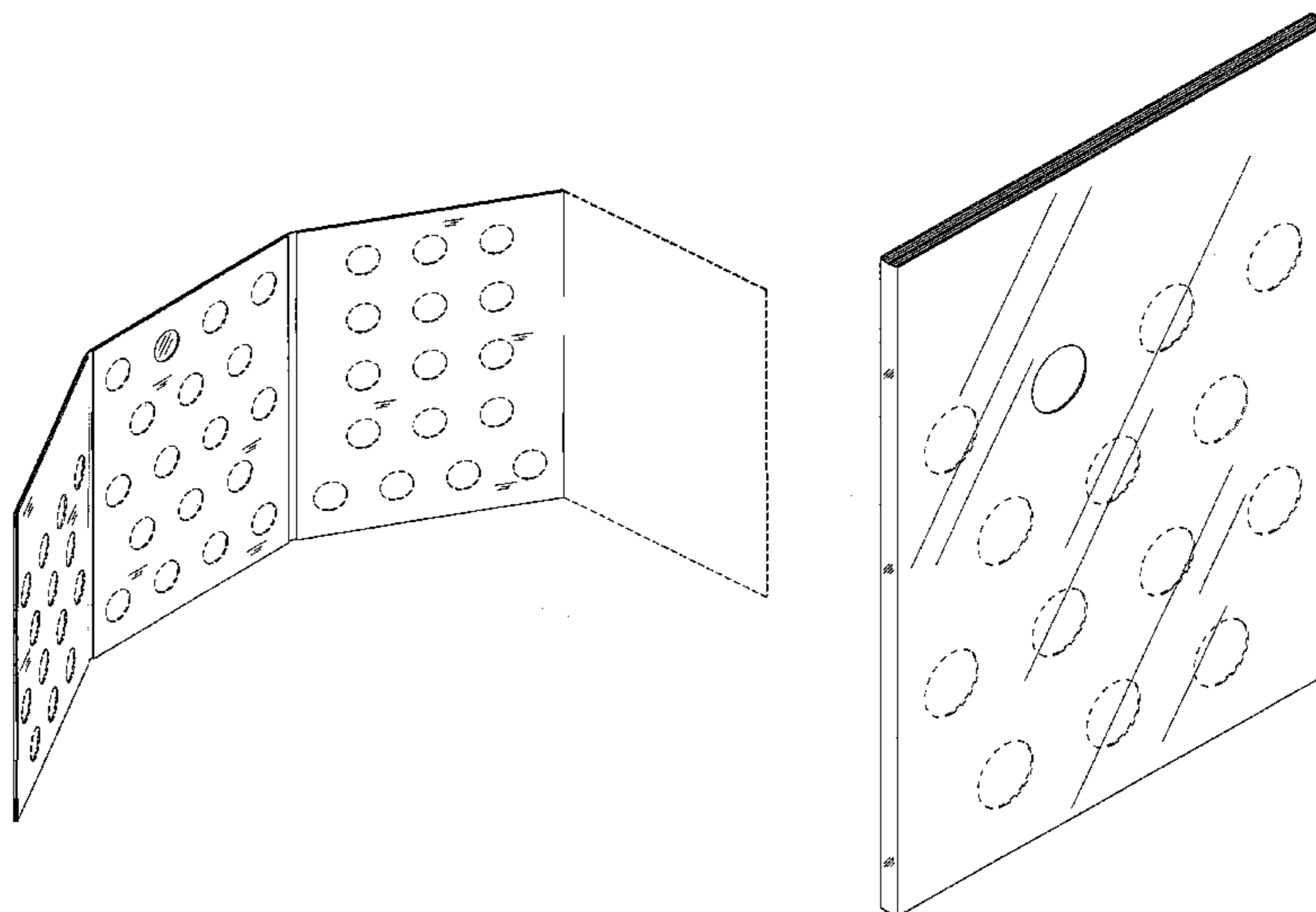
FIG. 9 is a front elevational view thereof, in a closed configuration;

FIG. 10 is a rear elevational view thereof, in a closed configuration; and,

FIG. 11 is a left side elevational view thereof, in a closed configuration.

The broken line showing of coin slots is included for the purpose of illustrating portions of the coin display book and forms no part of the claimed design.

**1 Claim, 11 Drawing Sheets**



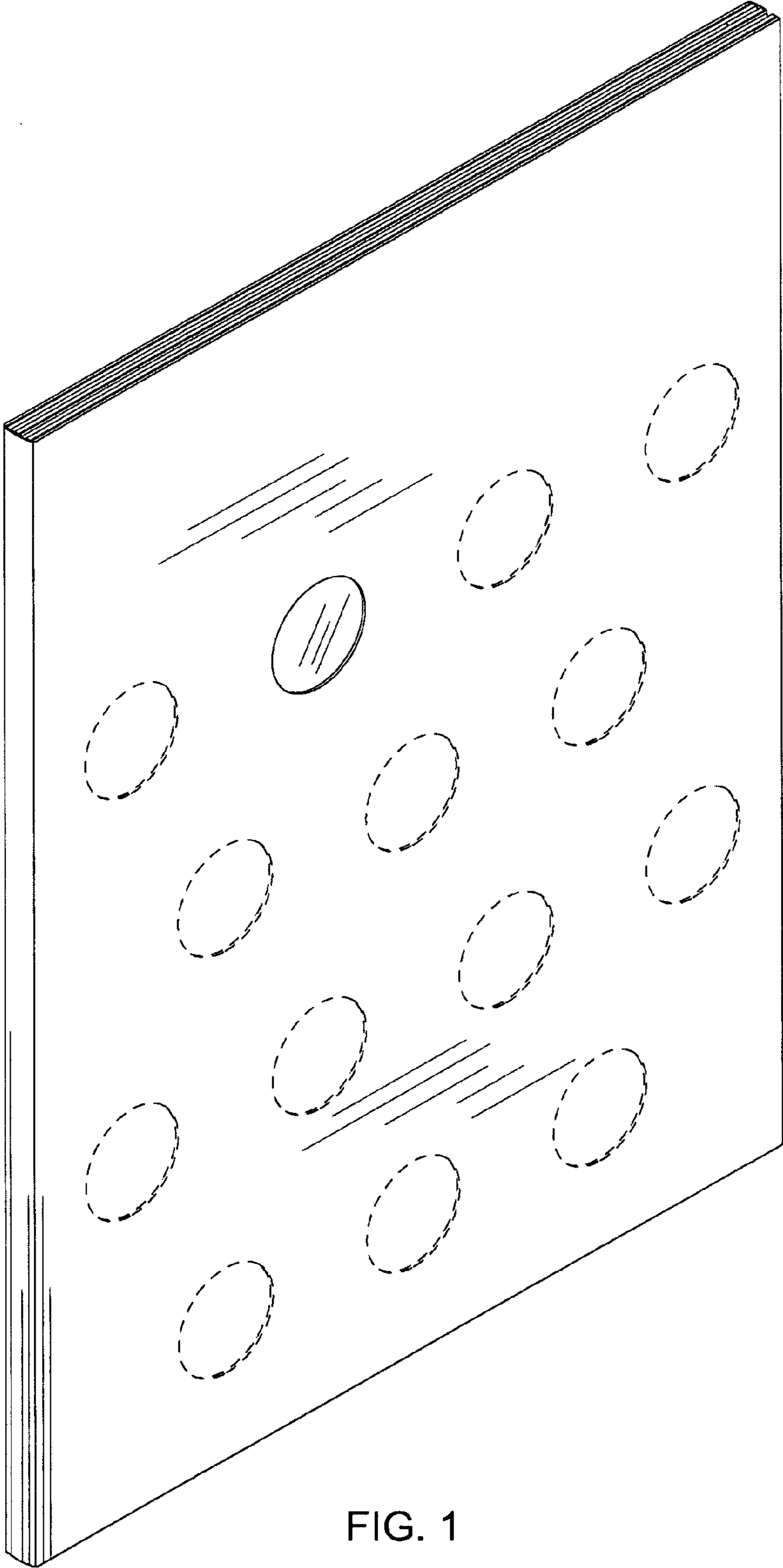


FIG. 1

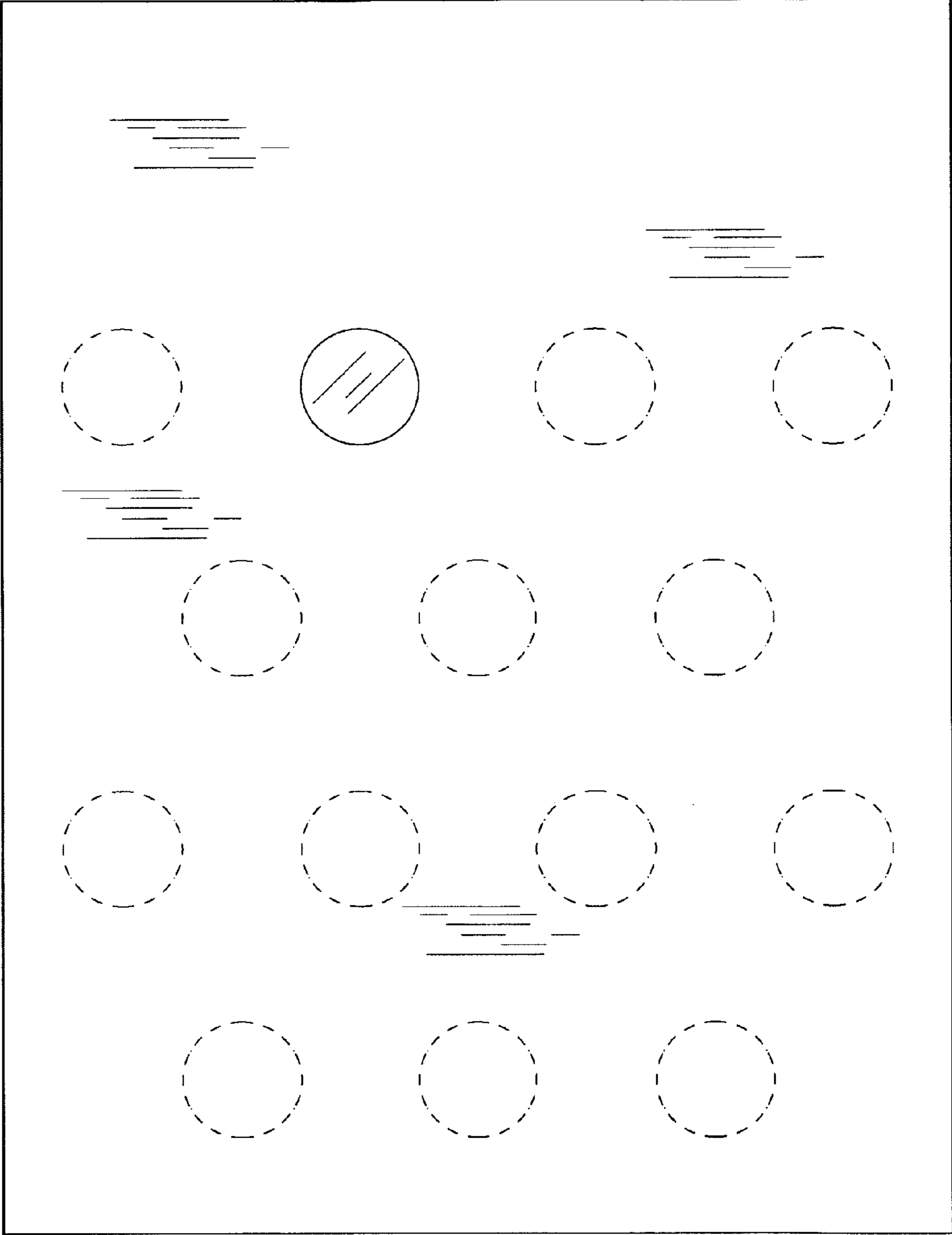


FIG. 2

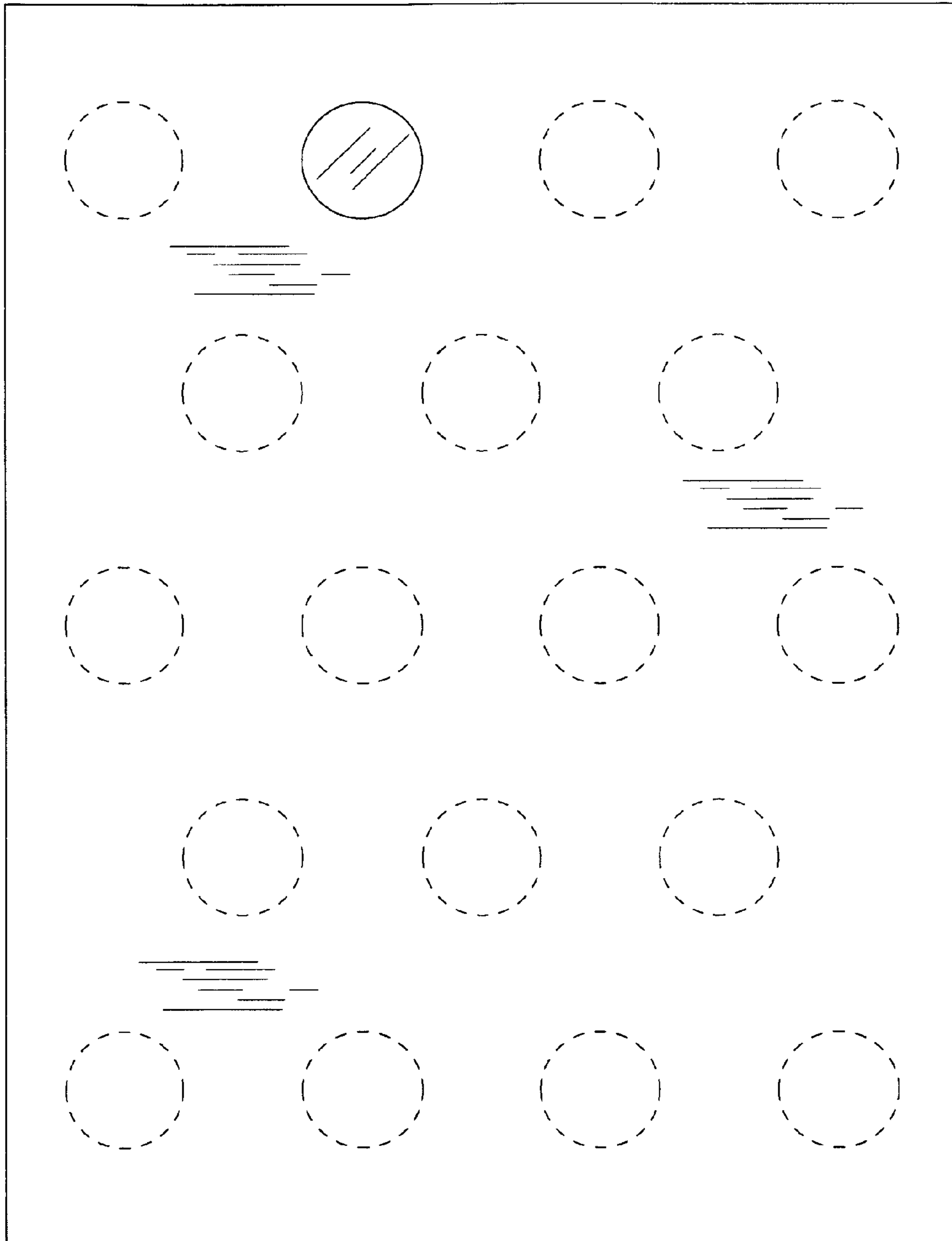


FIG. 3



FIG. 4



FIG. 5



FIG. 6

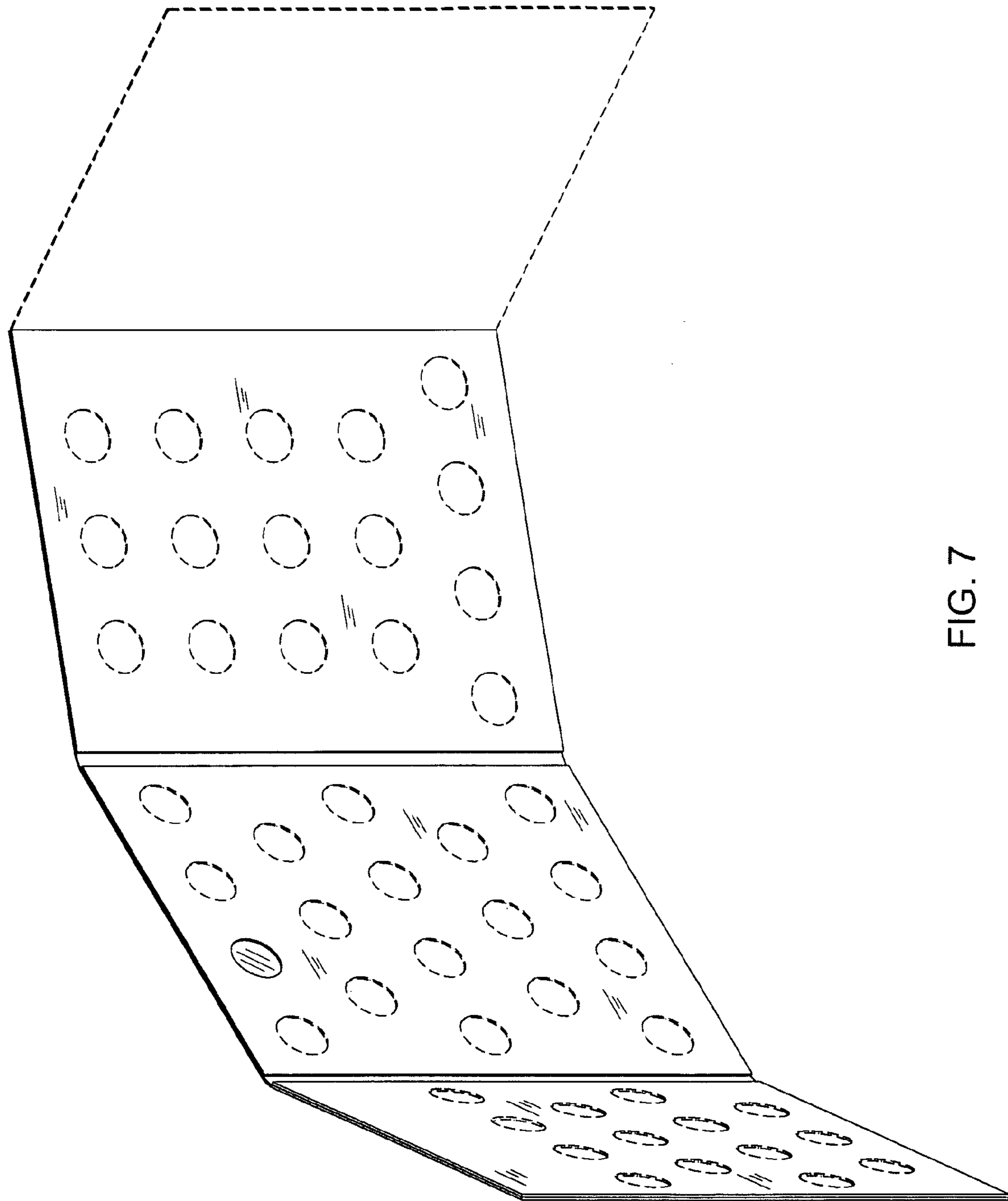


FIG. 7



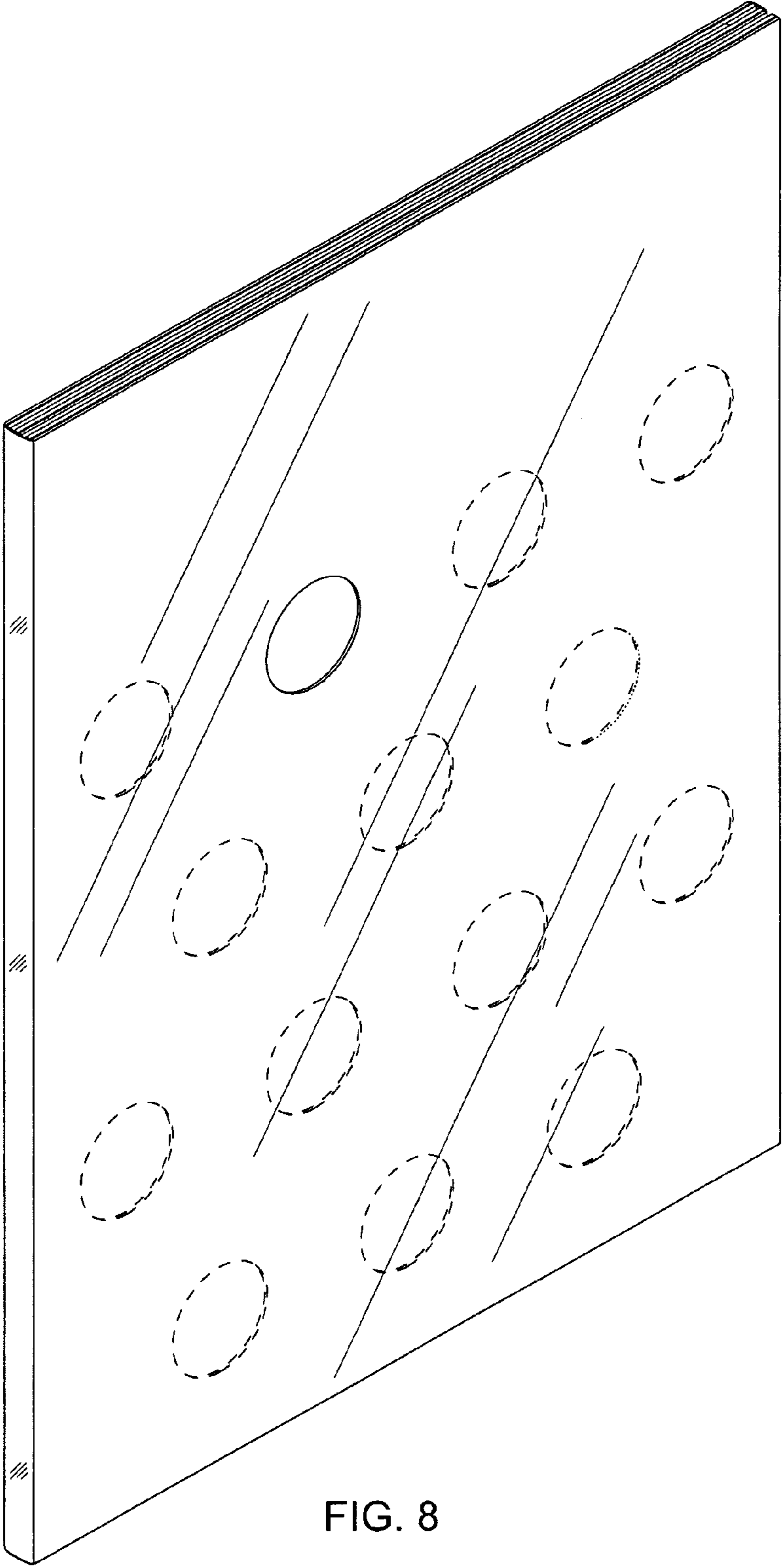


FIG. 8

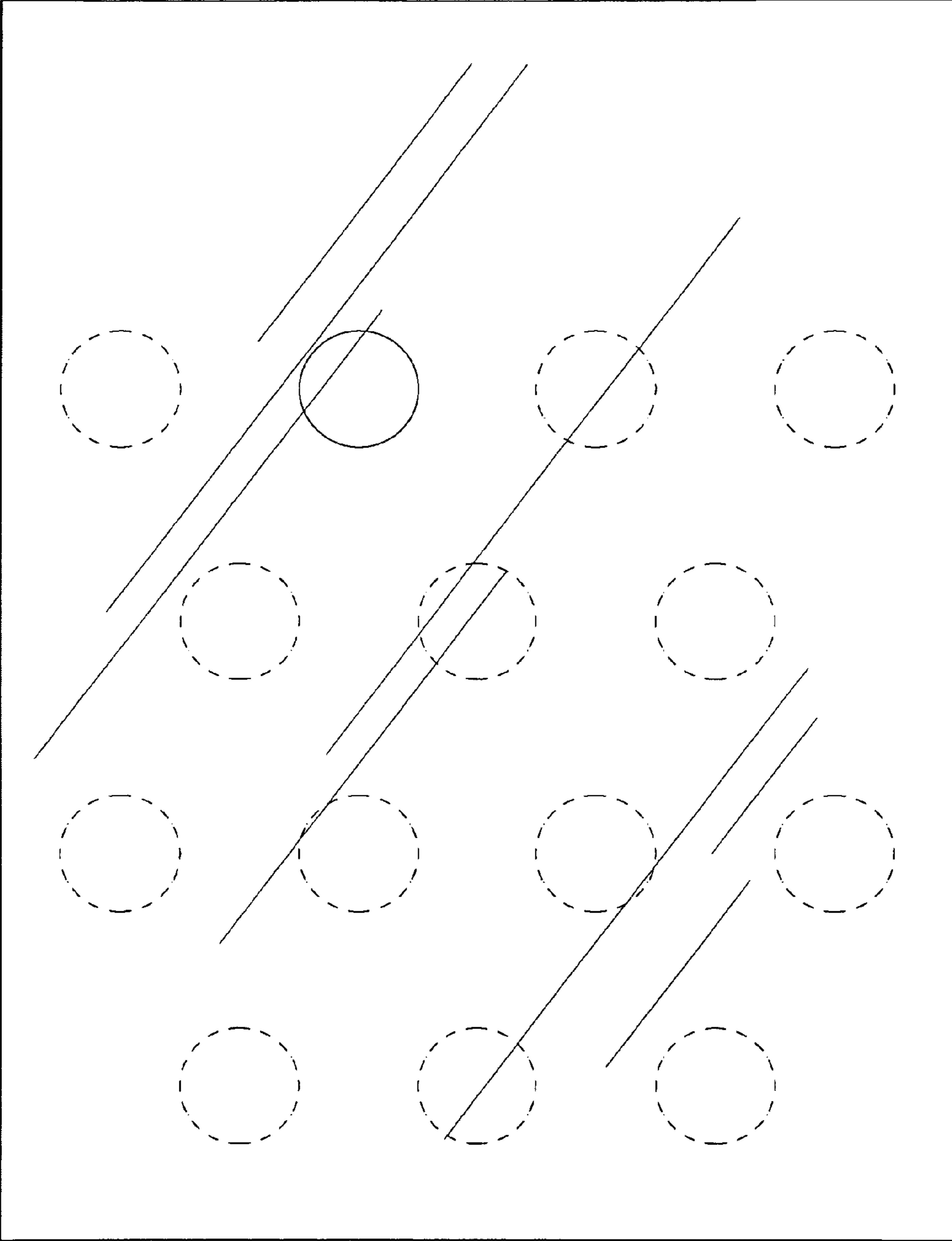


FIG. 9

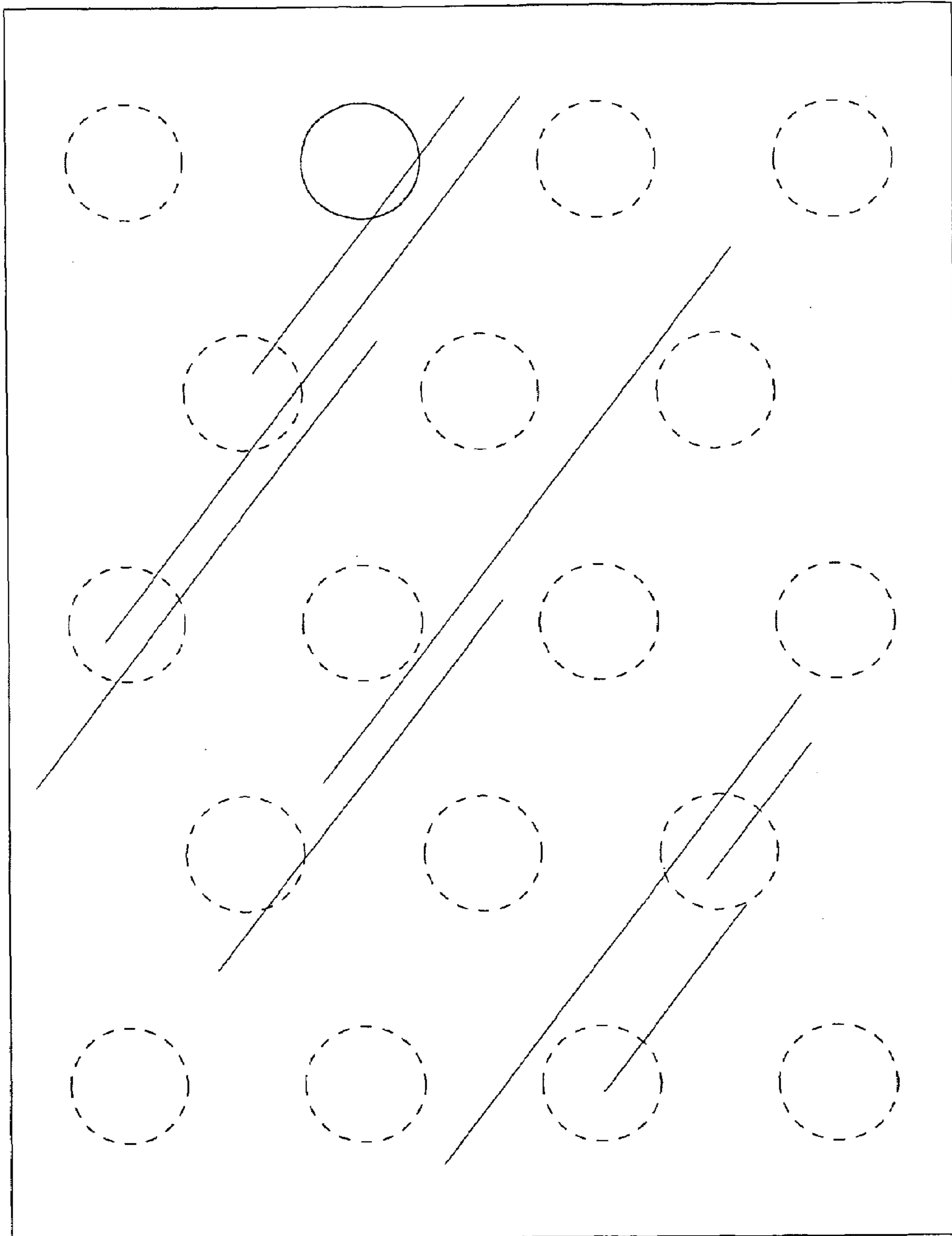


FIG. 10



FIG. 11