



US00D591923S

(12) **United States Design Patent**
Freitas et al.

(10) **Patent No.:** **US D591,923 S**

(45) **Date of Patent:** **** May 5, 2009**

(54) **WINCH**

(75) Inventors: **Joseph Freitas**, Vancouver, WA (US);
Eric J. Webb, Vancouver, WA (US)

(73) Assignee: **Warn Industries, Inc.**

(**) Term: **14 Years**

(21) Appl. No.: **29/322,089**

(22) Filed: **Jul. 29, 2008**

(51) **LOC (9) Cl.** **12-05**

(52) **U.S. Cl.** **D34/33**

(58) **Field of Classification Search** D34/33,
D34/28; 254/362, 356, 372, 380, 901, 382,
254/374, 316

See application file for complete search history.

(56) **References Cited**

U.S. PATENT DOCUMENTS

1,083,412	A *	1/1914	Shreve	254/342
2,360,713	A *	10/1944	Parker	254/337
2,365,141	A *	12/1944	Sully	254/270
3,190,617	A *	6/1965	Burrows	254/342
D219,298	S *	11/1970	Eyck	D34/33
D243,940	S	4/1977	Kuzarov		
4,103,872	A *	8/1978	Hirasuka	254/356
D307,965	S *	5/1990	Eley et al.	D34/33
D309,969	S *	8/1990	Tamura	D34/33
5,170,995	A *	12/1992	Bitsch et al.	254/342
D411,364	S *	6/1999	Sasaki et al.	D34/33
6,073,917	A *	6/2000	Plummer	254/389
D439,722	S *	3/2001	Huang	D34/33
D471,338	S	3/2003	Hodge		

D473,992	S	4/2003	Hodge		
D475,499	S	6/2003	Hodge		
D479,899	S	9/2003	Hodge		
D489,157	S	4/2004	Lawson		
D491,333	S *	6/2004	Blasek	D34/33
D513,650	S	1/2006	Elliott		
D524,508	S *	7/2006	Lichtenvort	D34/33
D532,577	S	11/2006	Elliott et al.		
D540,003	S *	4/2007	Hagihara et al.	D34/33
D555,874	S	11/2007	Elliott et al.		

* cited by examiner

Primary Examiner—Cynthia E Ramirez

(74) *Attorney, Agent, or Firm*—Harnes, Dickey & Pierce, P.L.C.

(57) **CLAIM**

The ornamental design for a winch, as shown and described.

DESCRIPTION

FIG. 1 is a front perspective view of a winch showing our new design;

FIG. 2 is a front view thereof;

FIG. 3 is a right side view thereof;

FIG. 4 is a rear view thereof;

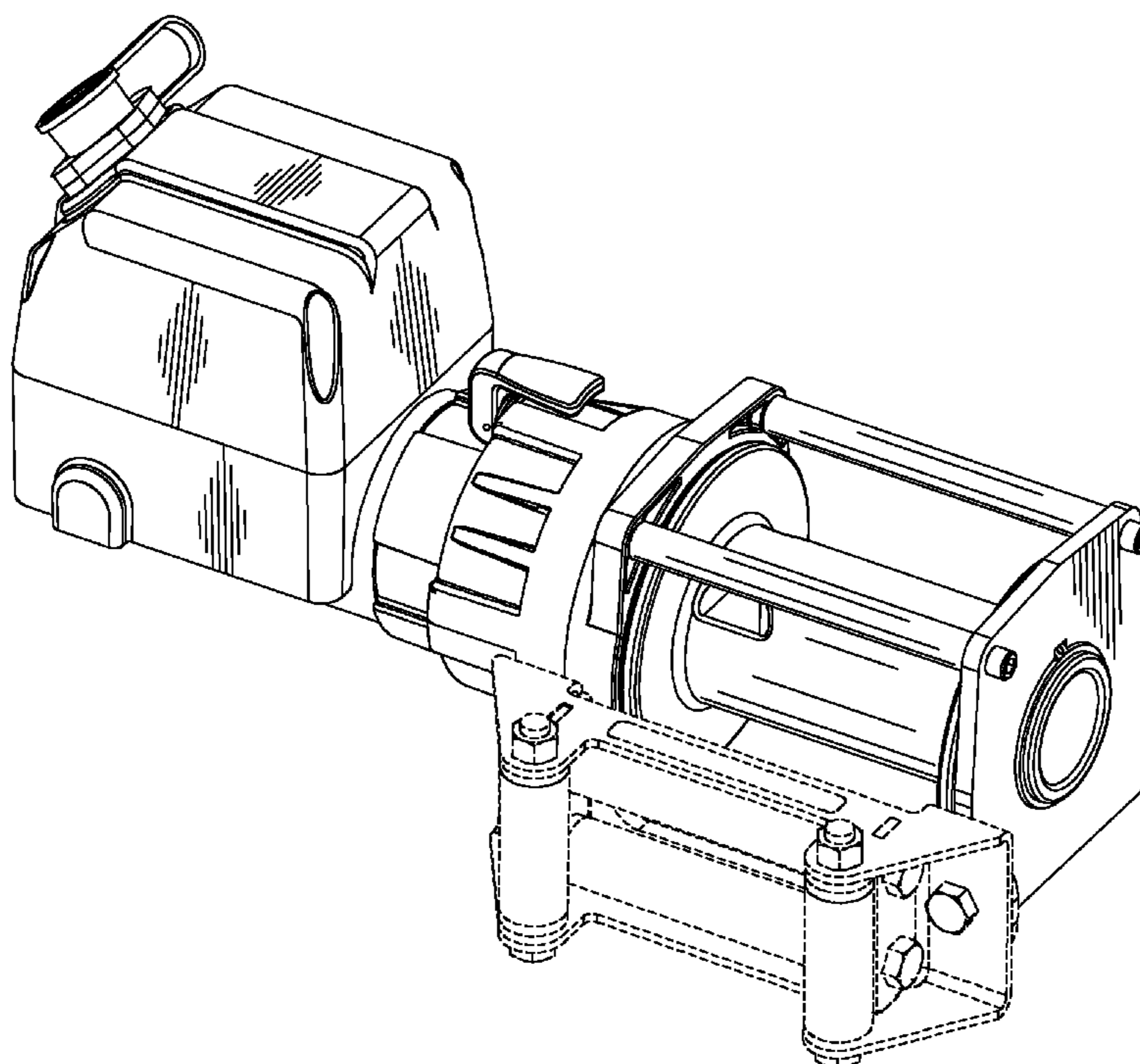
FIG. 5 is a left side view thereof; and,

FIG. 6 is a top view thereof.

The bottom view is non-ornamental.

The phantom lines in FIGS. 1–6 are for illustrative purposes only and do not form part of the claimed design.

1 Claim, 6 Drawing Sheets



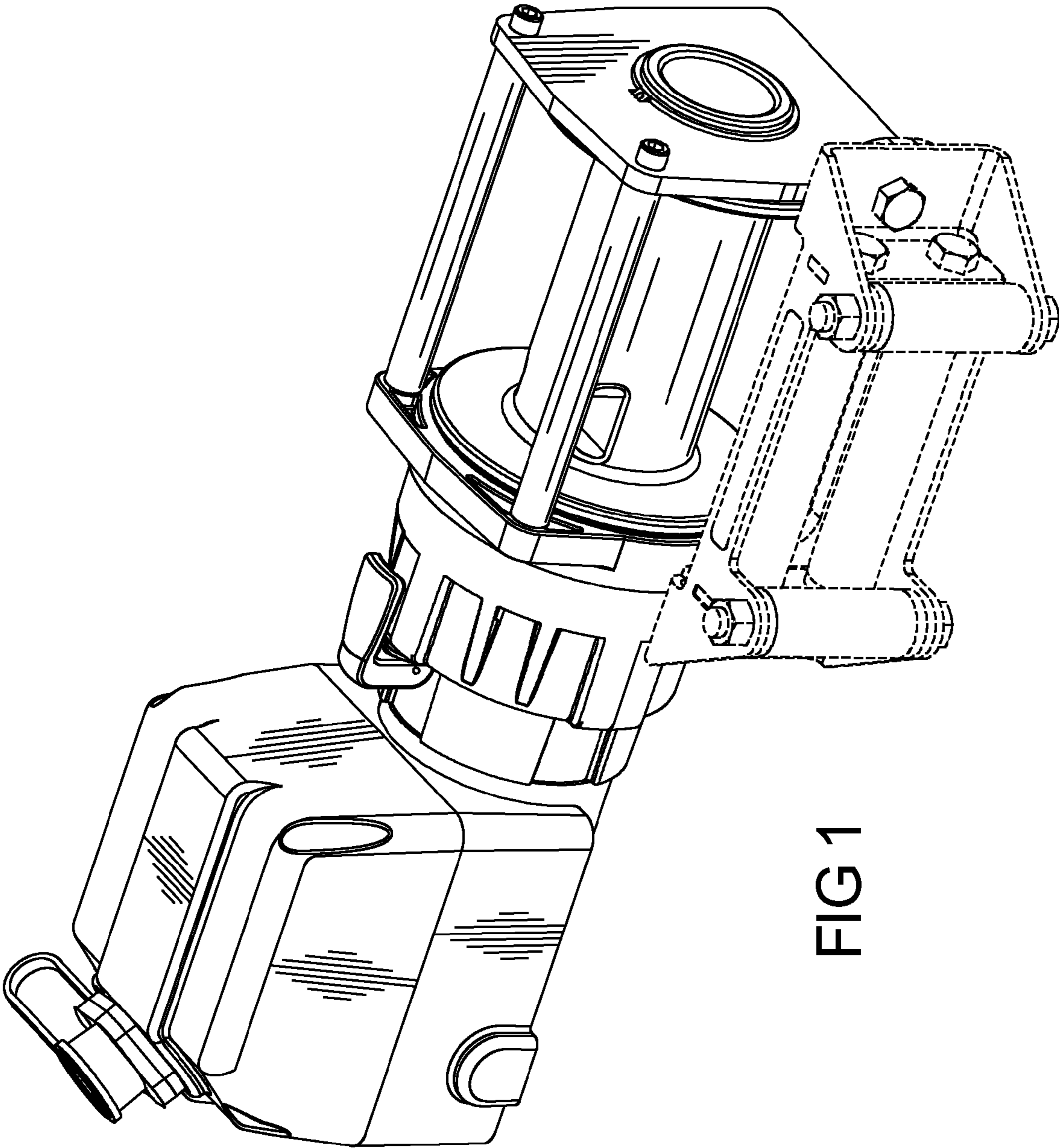


FIG 1

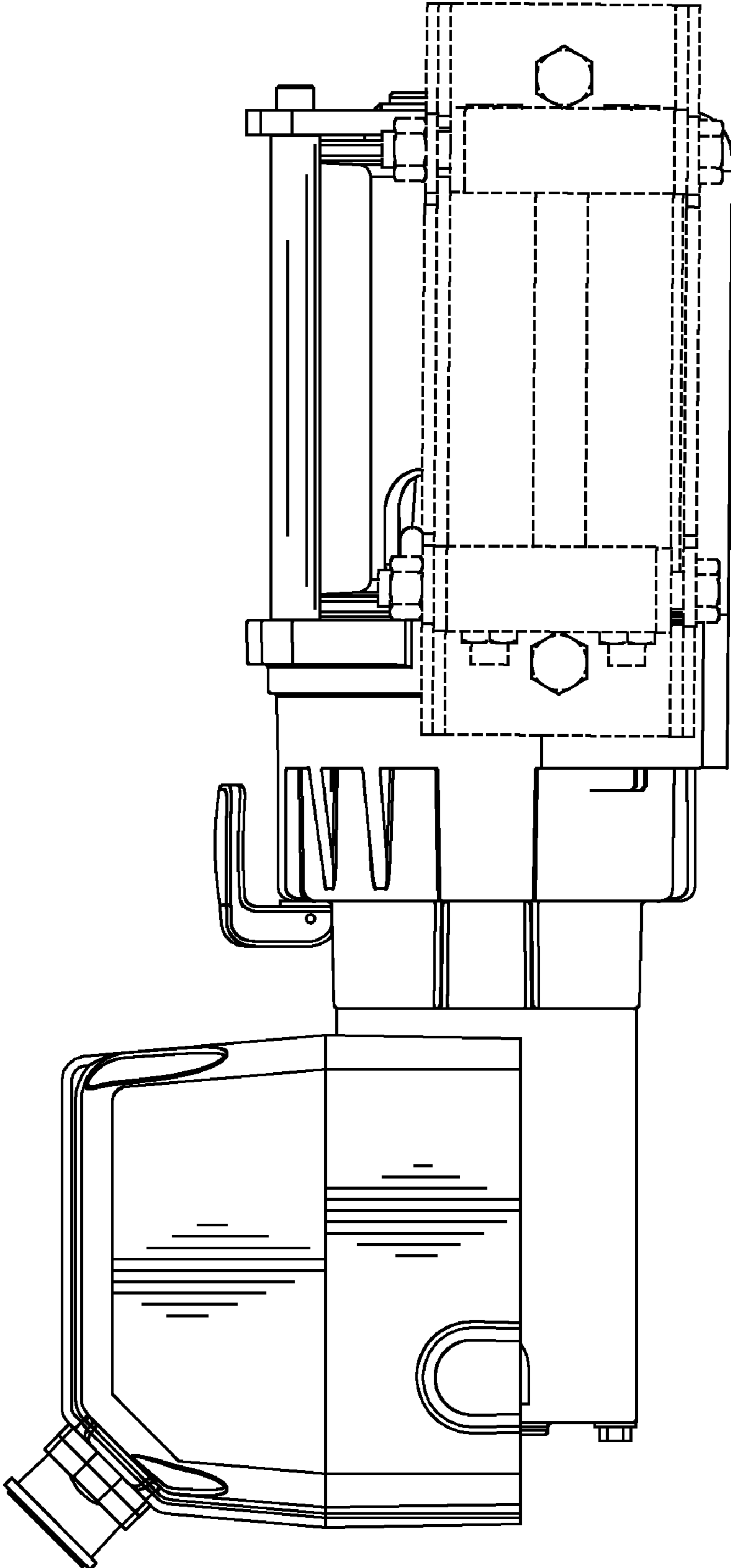


FIG 2

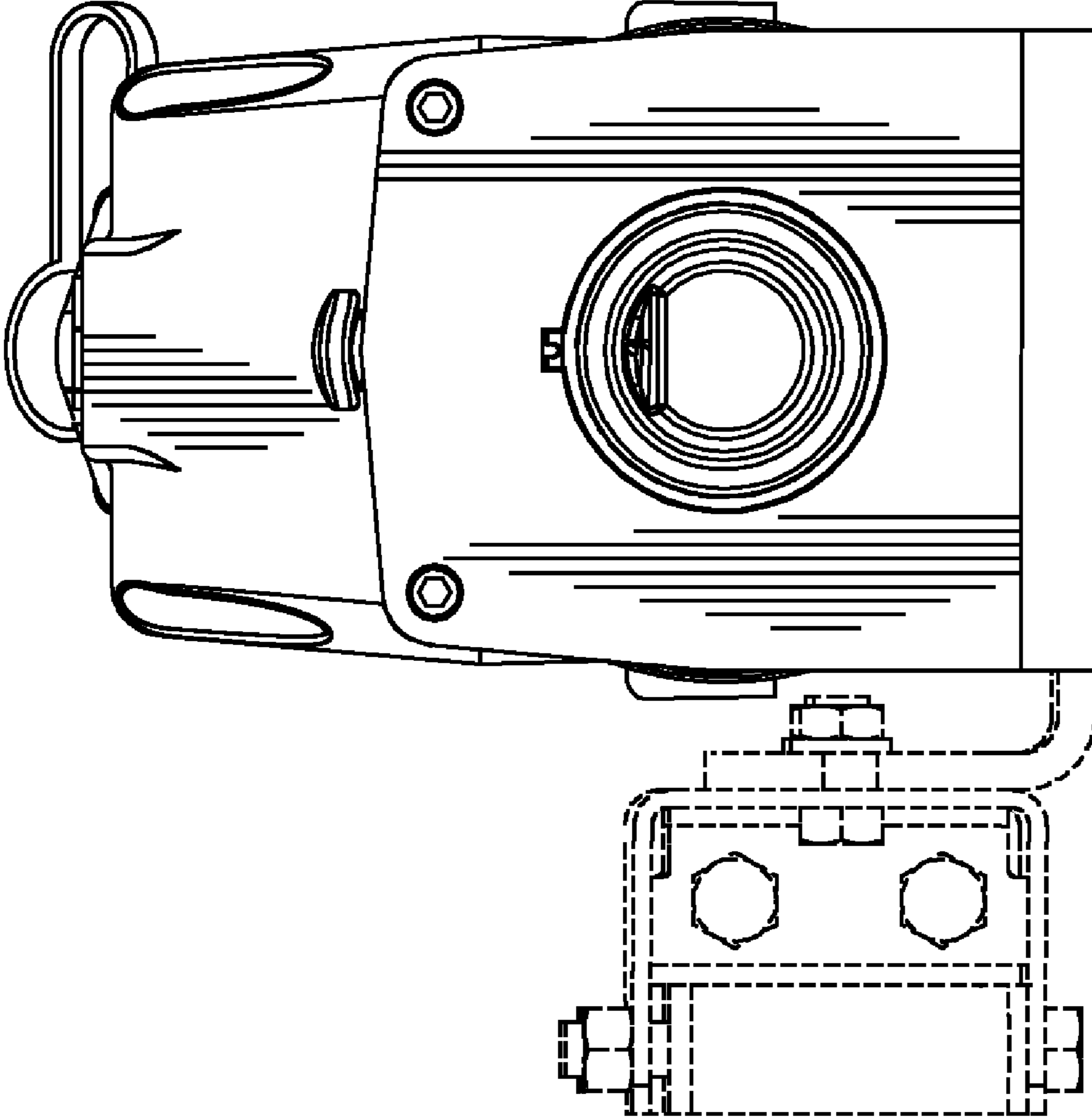


FIG 3

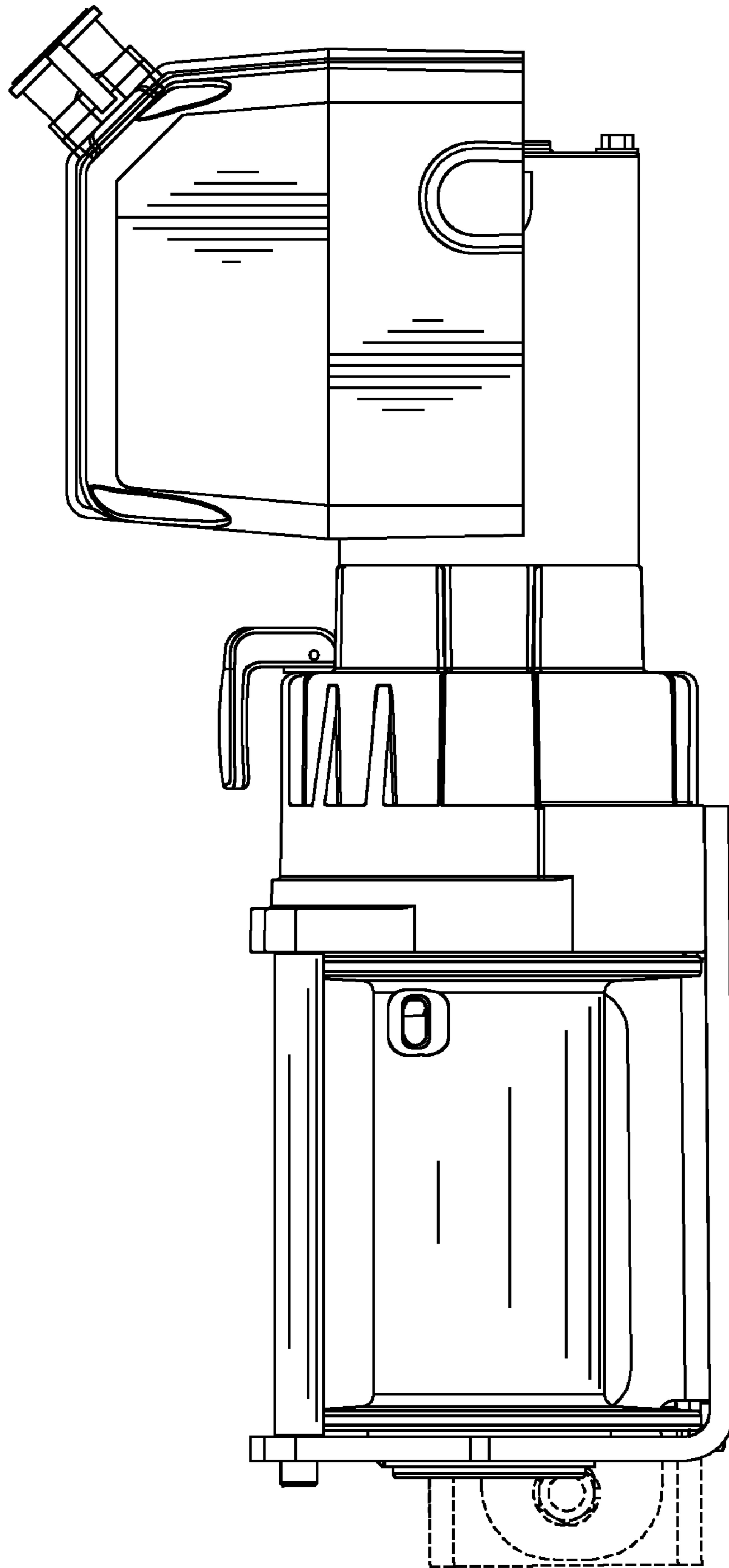


FIG 4

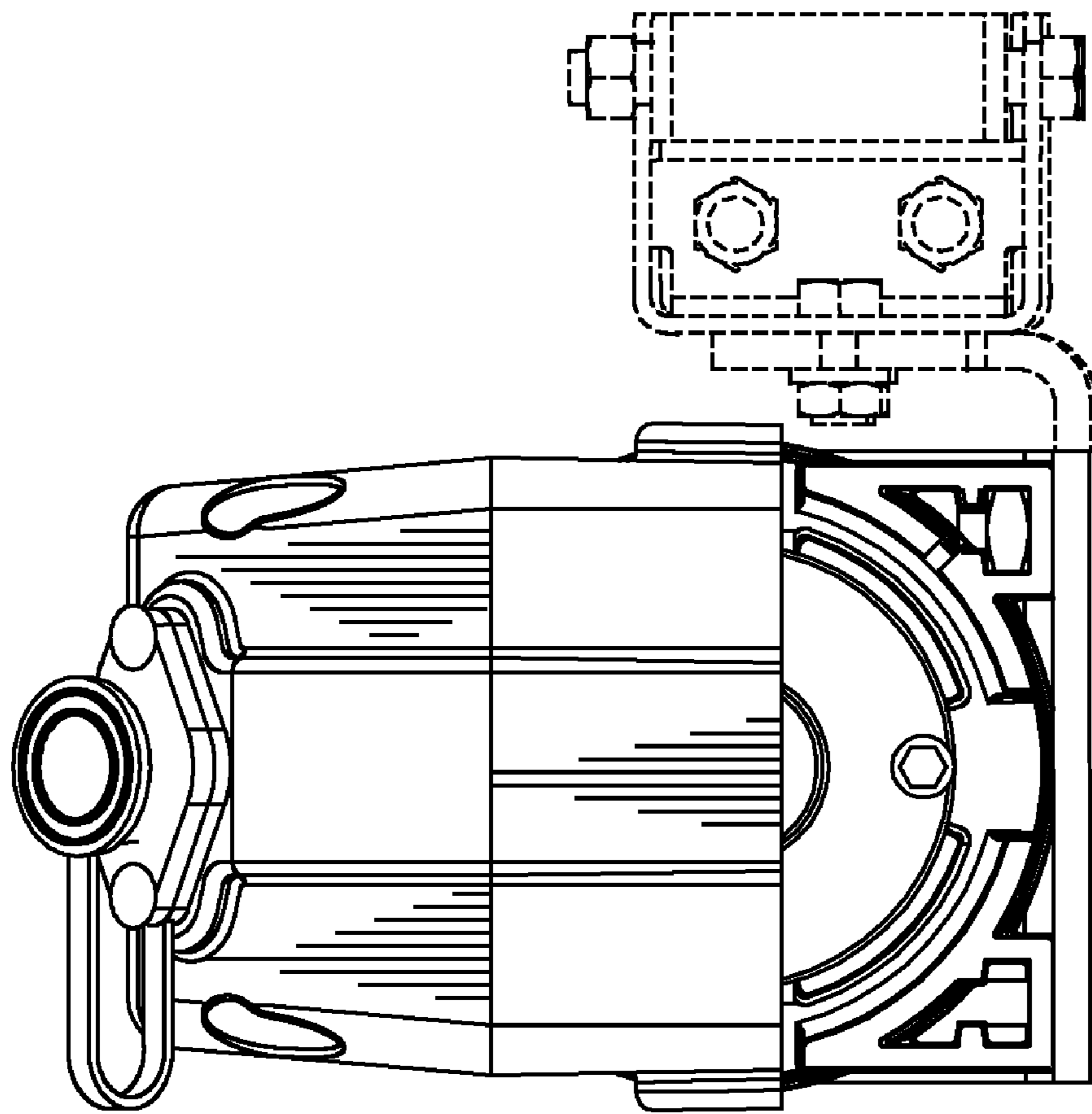


FIG 5

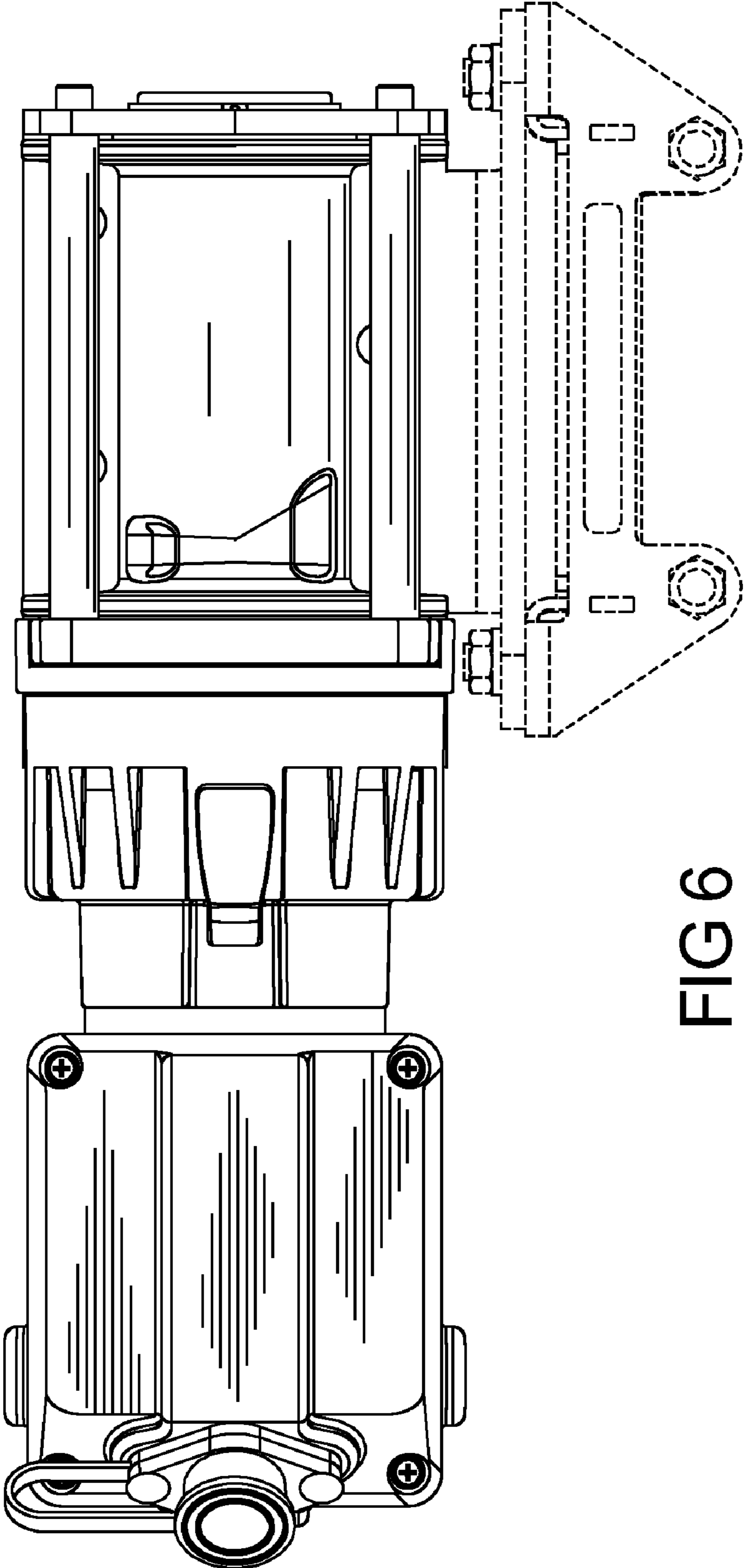


FIG 6