

US00D591919S

(12) **United States Design Patent**
Medema et al.

(10) **Patent No.:** **US D591,919 S**

(45) **Date of Patent:** **** May 5, 2009**

(54) **SPRAYER**

(75) Inventors: **Douglas J. Medema**, Belding, MI (US);
Alyssa Ann Birtles, Grandville, MI (US)

(73) Assignee: **BISSELL Homecare, Inc.**, Grand Rapids, MI (US)

(**) Term: **14 Years**

(21) Appl. No.: **29/277,787**

(22) Filed: **Mar. 9, 2007**

(51) **LOC (9) Cl.** **15-05**

(52) **U.S. Cl.** **D32/25**

(58) **Field of Classification Search** D32/15,
D32/16, 17, 25, 18, 31, 32; D23/223, 207,
D23/209

See application file for complete search history.

(56) **References Cited**

U.S. PATENT DOCUMENTS

D332,221	S	*	1/1993	Willems	D9/447
5,427,189	A	*	6/1995	Bennett	175/20
D474,258	S	*	5/2003	Chen	D23/226
D518,871	S	*	4/2006	Gillette et al.	D23/209

D580,116 S * 11/2008 Santiago et al. D32/34
2008/0196193 A1 * 8/2008 Huffman et al. 15/320

* cited by examiner

Primary Examiner—T. Chase Nelson

Assistant Examiner—Kathleen M Sims

(74) *Attorney, Agent, or Firm*—McGarry Bair PC

(57) **CLAIM**

The ornamental design for a sprayer, as shown and described.

DESCRIPTION

FIG. 1 is a front perspective view of a sprayer showing our new design;

FIG. 2 is a front view thereof;

FIG. 3 is a rear view thereof;

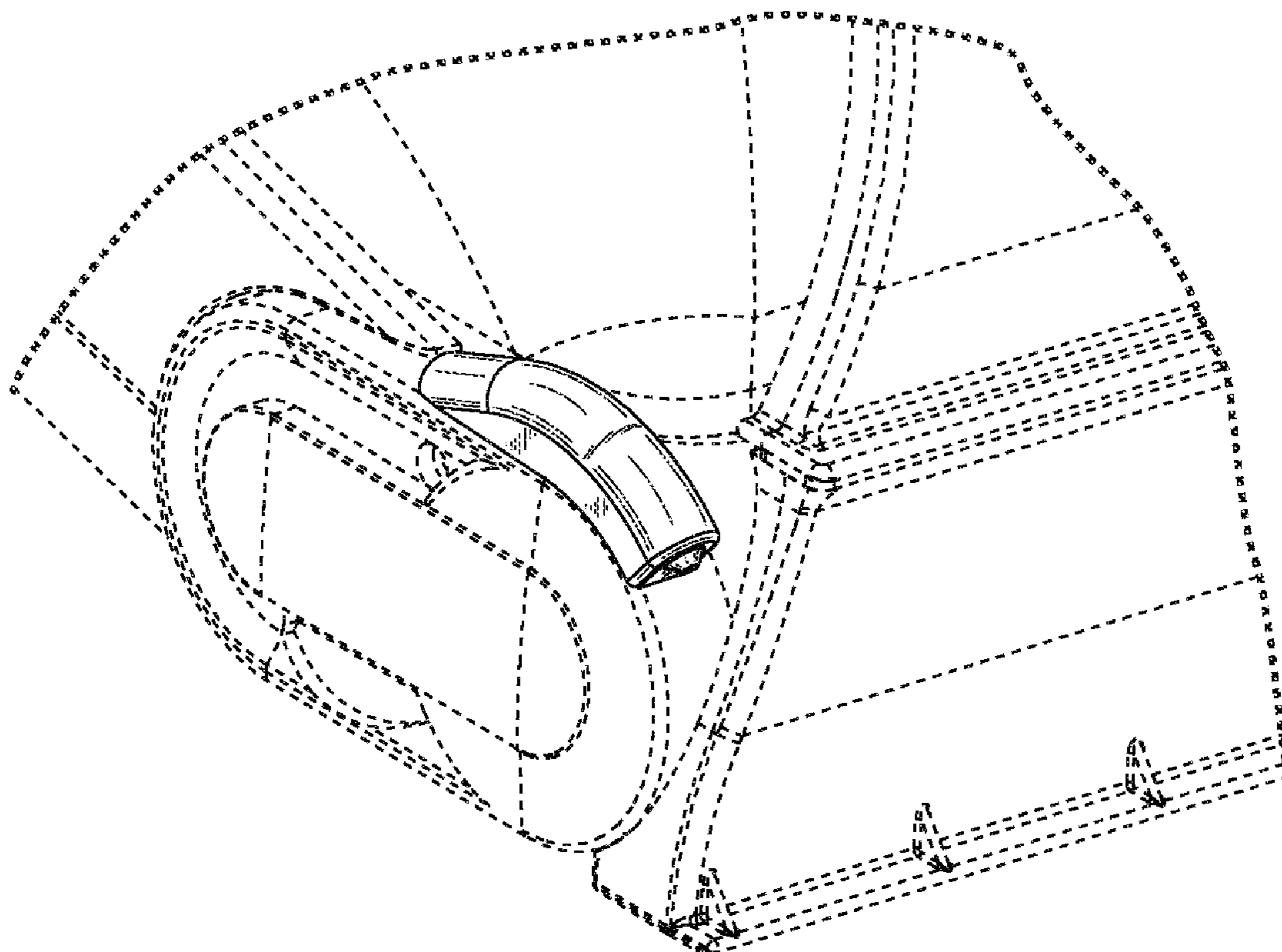
FIG. 4 is a right side view thereof;

FIG. 5 is a left side view thereof; and,

FIG. 6 is a top view thereof.

The broken line showing of a floor appliance in FIGS. 1–6 is included for the purpose of showing the environment of the sprayer and forms no part of the claimed design.

1 Claim, 4 Drawing Sheets



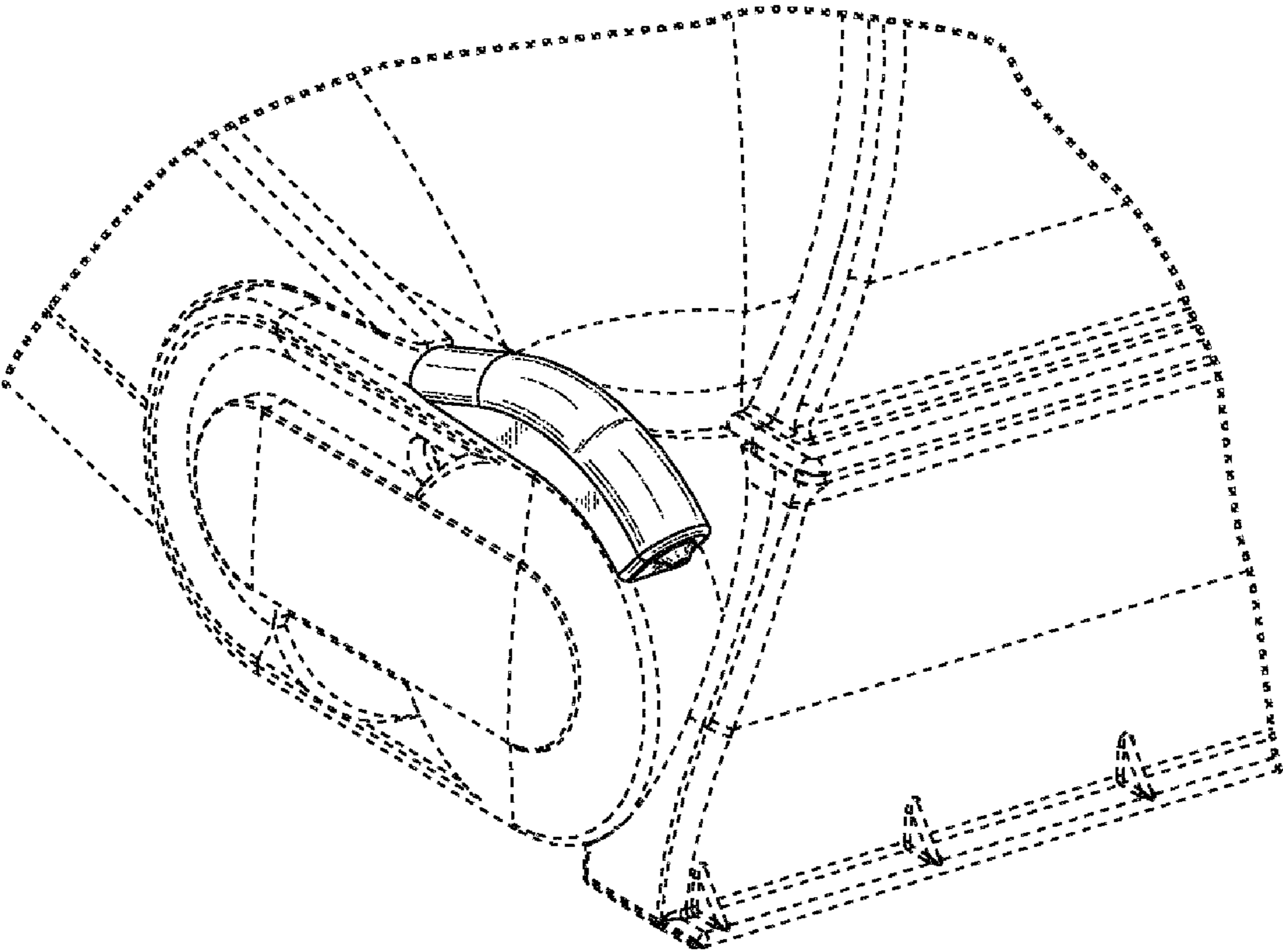


Fig. 1

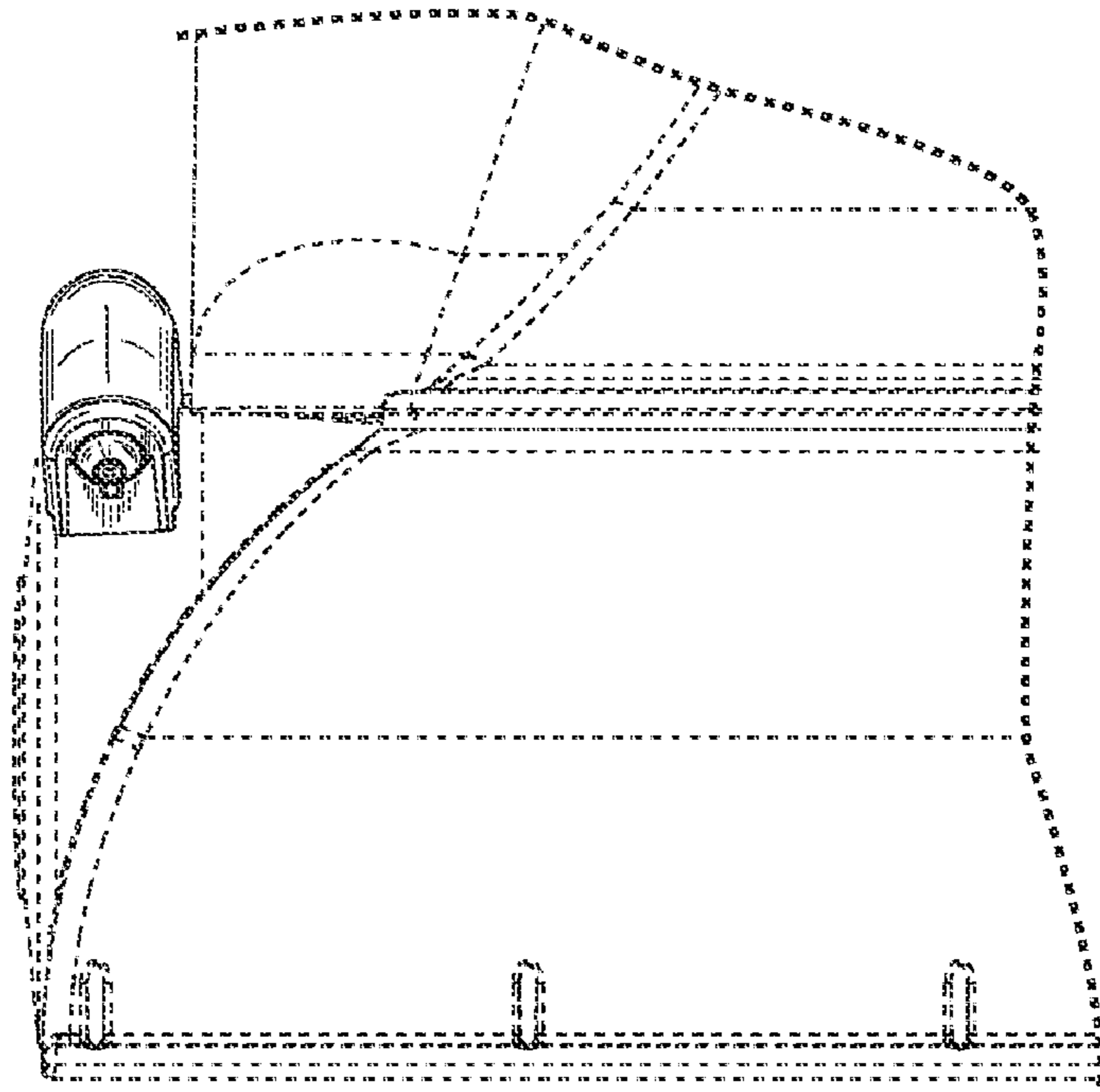


Fig. 2

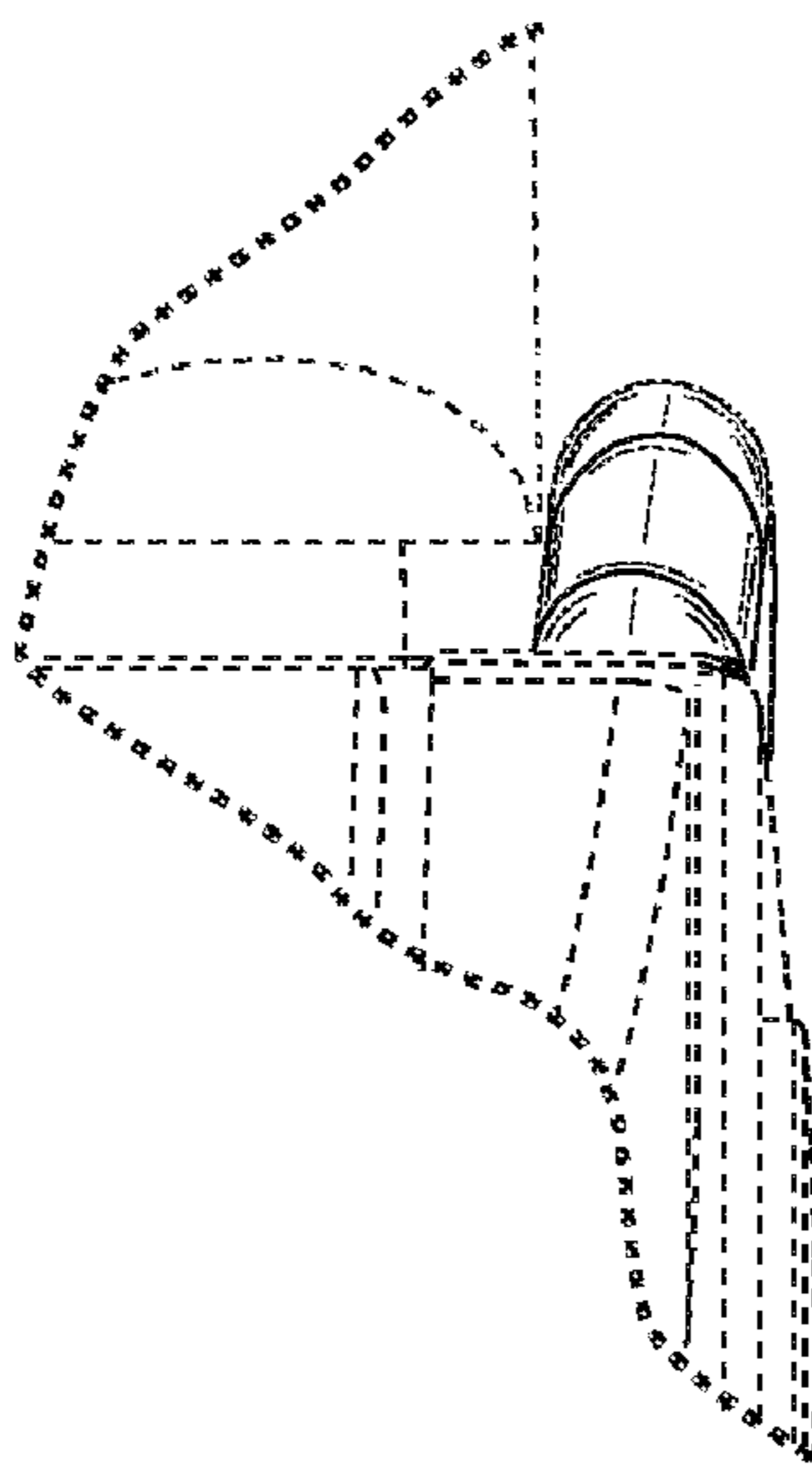


Fig. 3

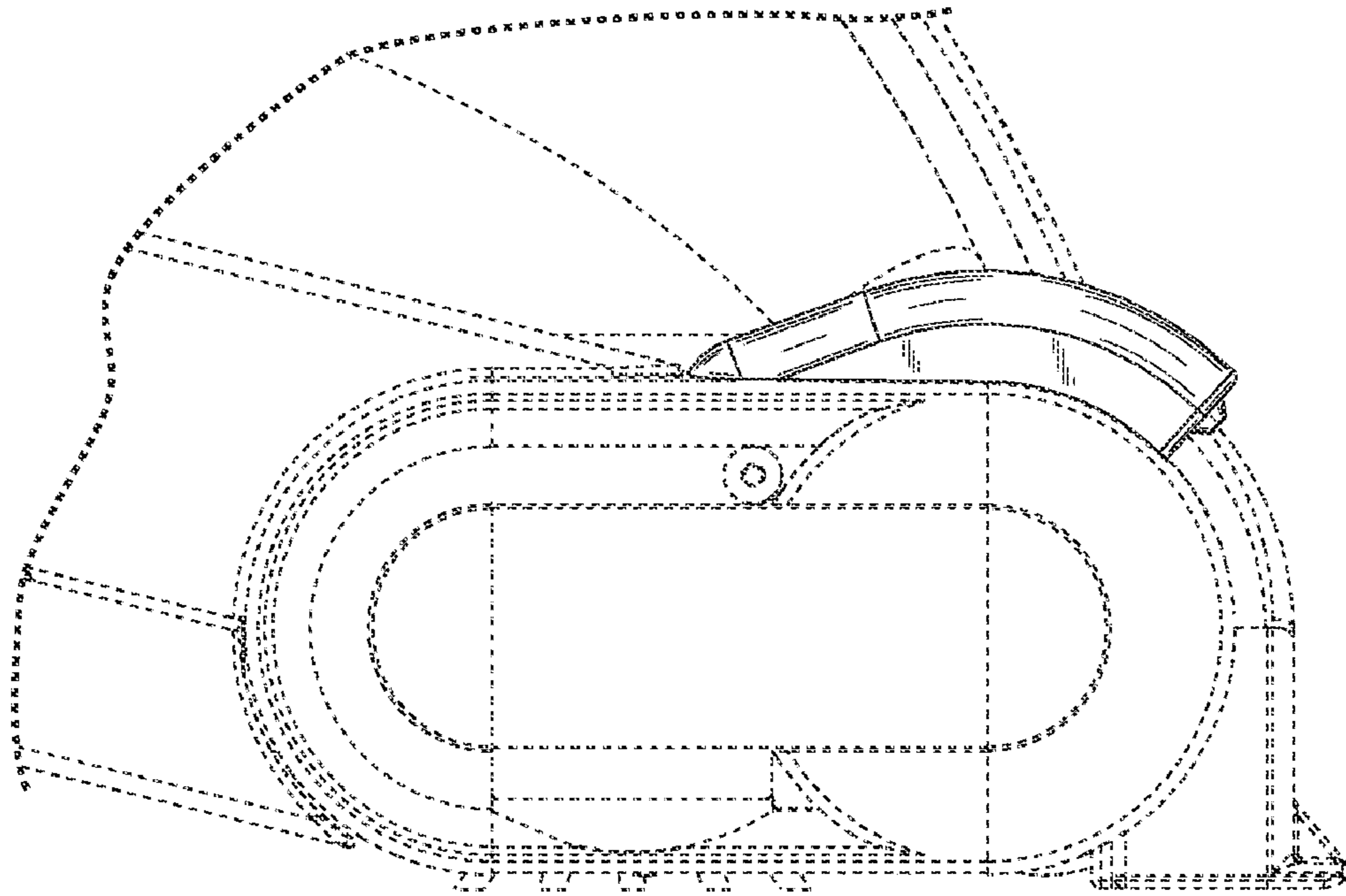


Fig. 4

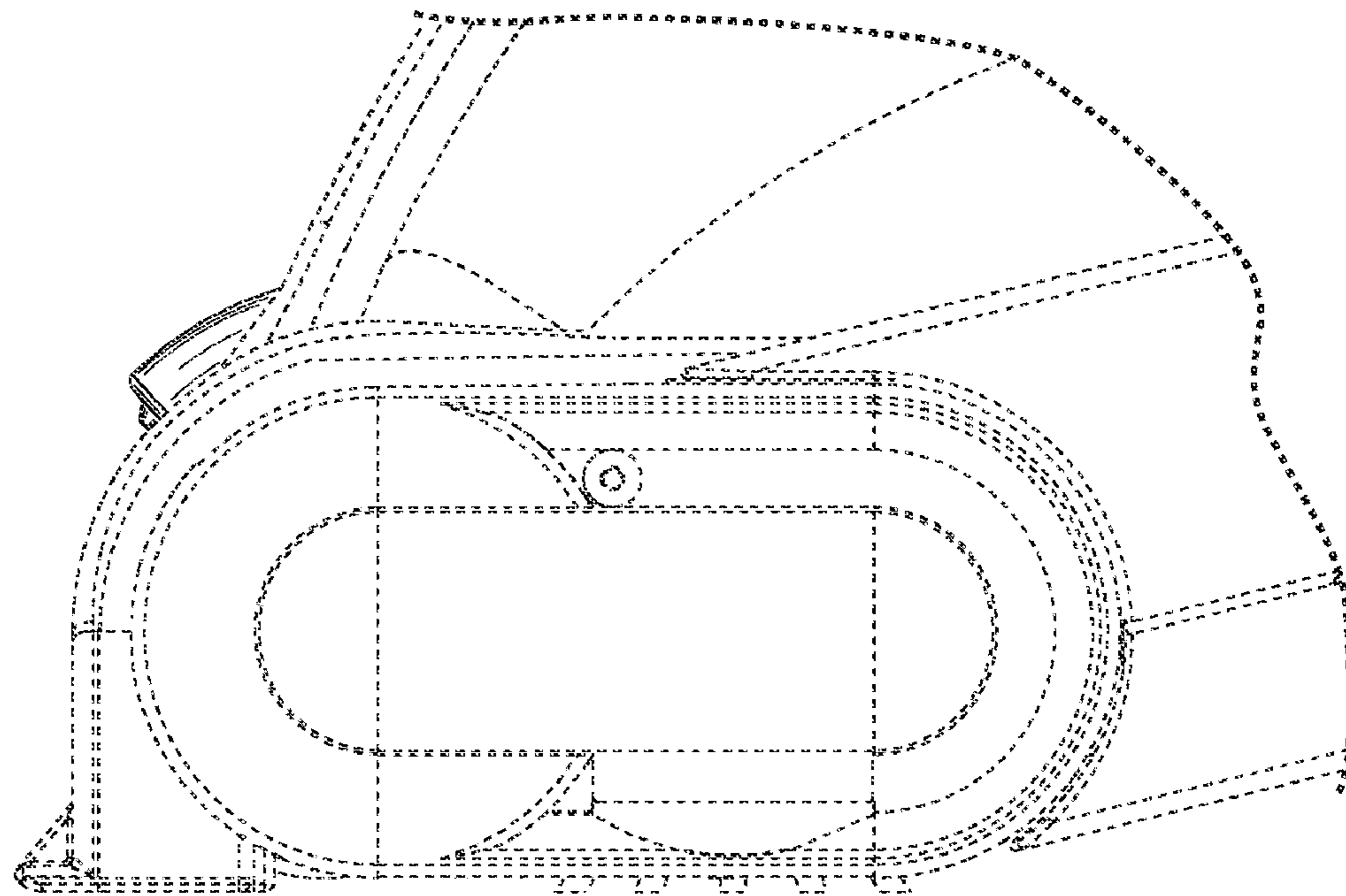


Fig. 5

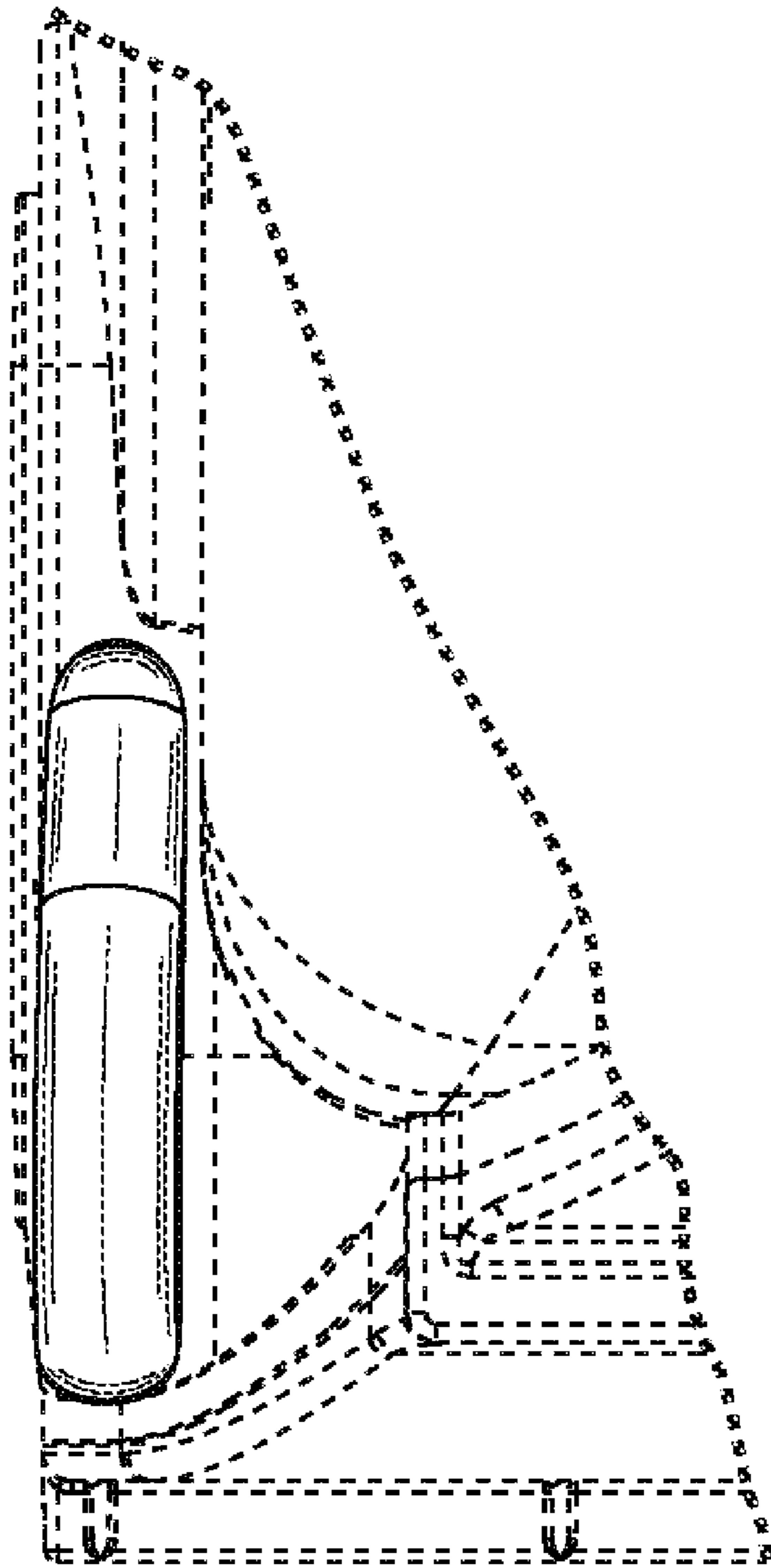


Fig. 6