

US00D591917S

(12) **United States Design Patent**
Kent

(10) **Patent No.:** **US D591,917 S**
(45) **Date of Patent:** **** May 5, 2009**

(54) **VACUUM CLEANER**

(75) Inventor: **Andrew Kent**, Bromsgrove (GB)

(73) Assignee: **Grey Technology Limited** (GB)

(**) Term: **14 Years**

(21) Appl. No.: **29/310,493**

(22) Filed: **Aug. 22, 2008**

(30) **Foreign Application Priority Data**

Jul. 7, 2008 (EM) 000965637

(51) **LOC (9) Cl.** **15-05**

(52) **U.S. Cl.** **D32/22**

(58) **Field of Classification Search** D32/22,
D32/30-31; 15/320, 329, 335, 340.2, 347,
15/350-353, 361, 363, 410, 412, 414, 327.1,
15/327.2, 327.4, 327.6, 415.1, 411; 55/345,
55/DIG. 3, 336, 337, 429, 343, 433, 418;
95/271; 301/7, 63.101; 280/78, 47.31, 205
See application file for complete search history.

(56) **References Cited**

U.S. PATENT DOCUMENTS

D418,266 S * 12/1999 Medema et al. D32/22
D419,730 S * 1/2000 Diebel et al. D32/22
D426,357 S * 6/2000 Tsuruha et al. D32/22

D437,666 S * 2/2001 Park D32/22
D456,964 S * 5/2002 Alford et al. D32/31
D533,696 S * 12/2006 Ikeno et al. D32/22
D553,312 S * 10/2007 Parr D32/22
D553,813 S * 10/2007 Parr D32/22
D570,562 S * 6/2008 Paredes et al. D32/22
D574,563 S * 8/2008 Fjellman et al. D32/22
2007/0130723 A1 * 6/2007 Kelly 15/410
2008/0047093 A1 * 2/2008 Gordon 15/320

* cited by examiner

Primary Examiner—Ruth McInroy

(74) *Attorney, Agent, or Firm*—Ira S. Dorman

(57) **CLAIM**

The ornamental design for a vacuum cleaner, as shown and described.

DESCRIPTION

FIG. 1 is a side elevational view of a vacuum cleaner showing my new design;

FIG. 2 is a side elevational view of the opposite side of FIG. 1;

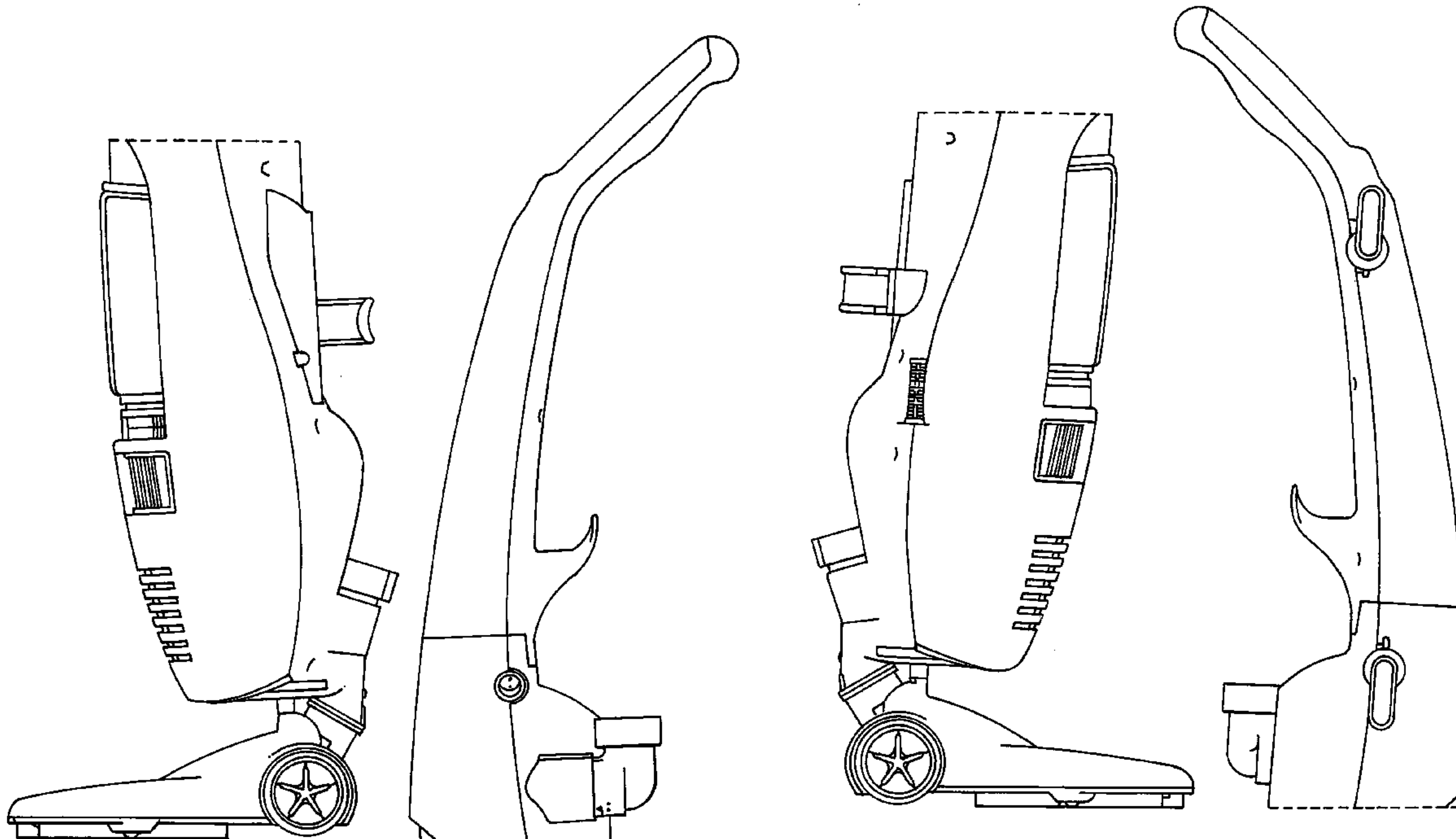
FIG. 3 is a rear elevational view thereof;

FIG. 4 is a front elevational view thereof;

FIG. 5 is a top plan view thereof; and,

FIG. 6 is a bottom plan view thereof.

1 Claim, 5 Drawing Sheets



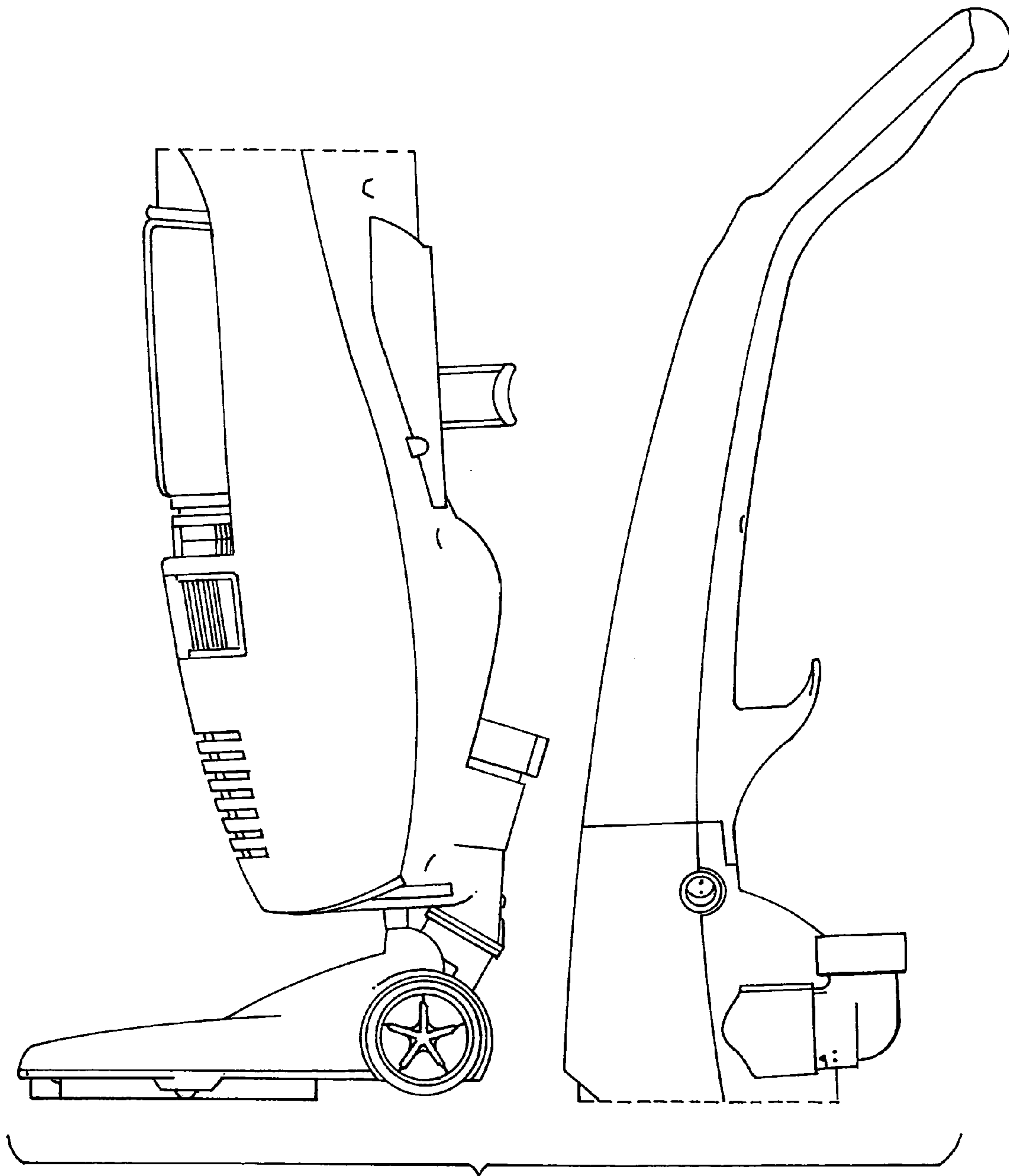


FIG. 1

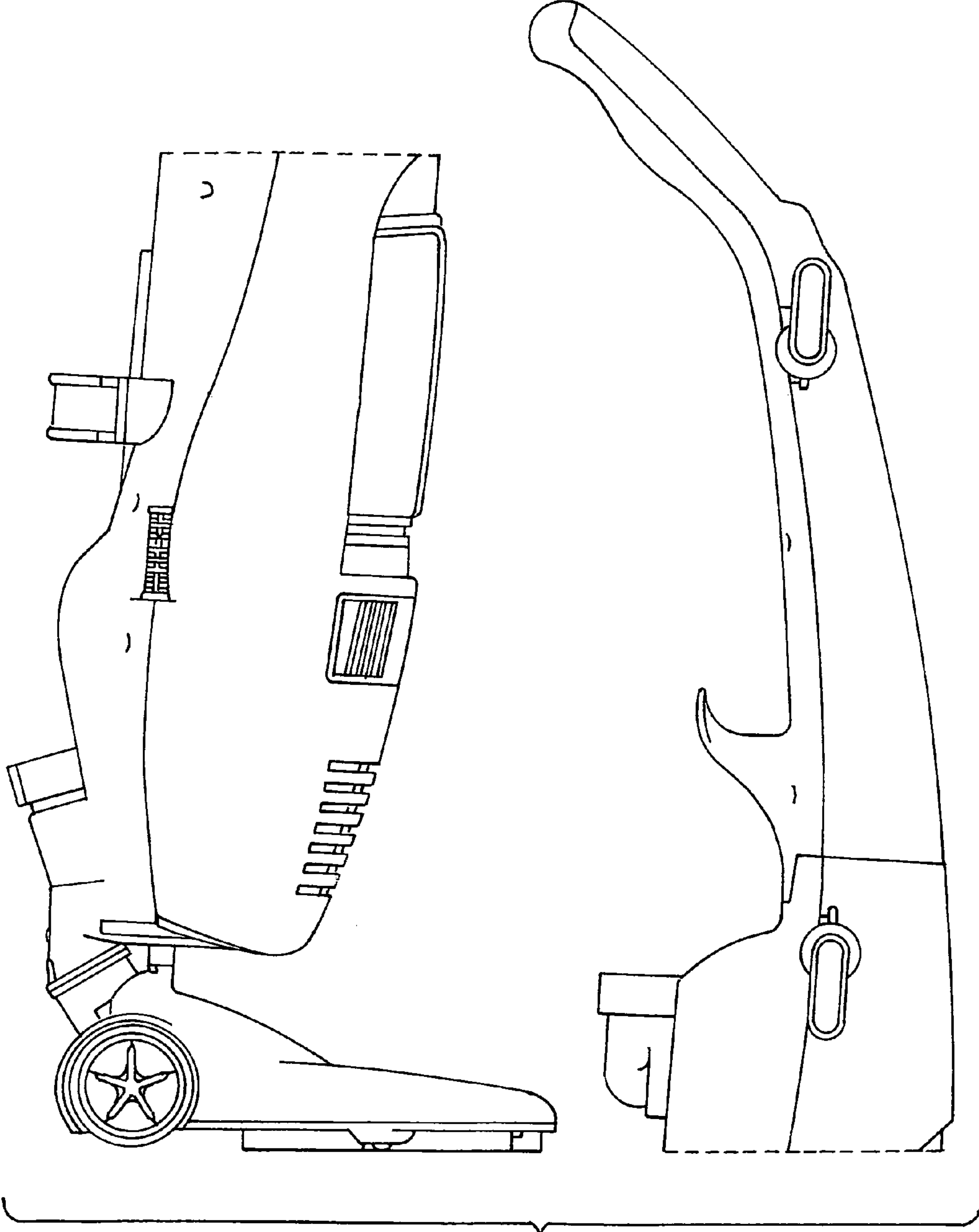


FIG. 2

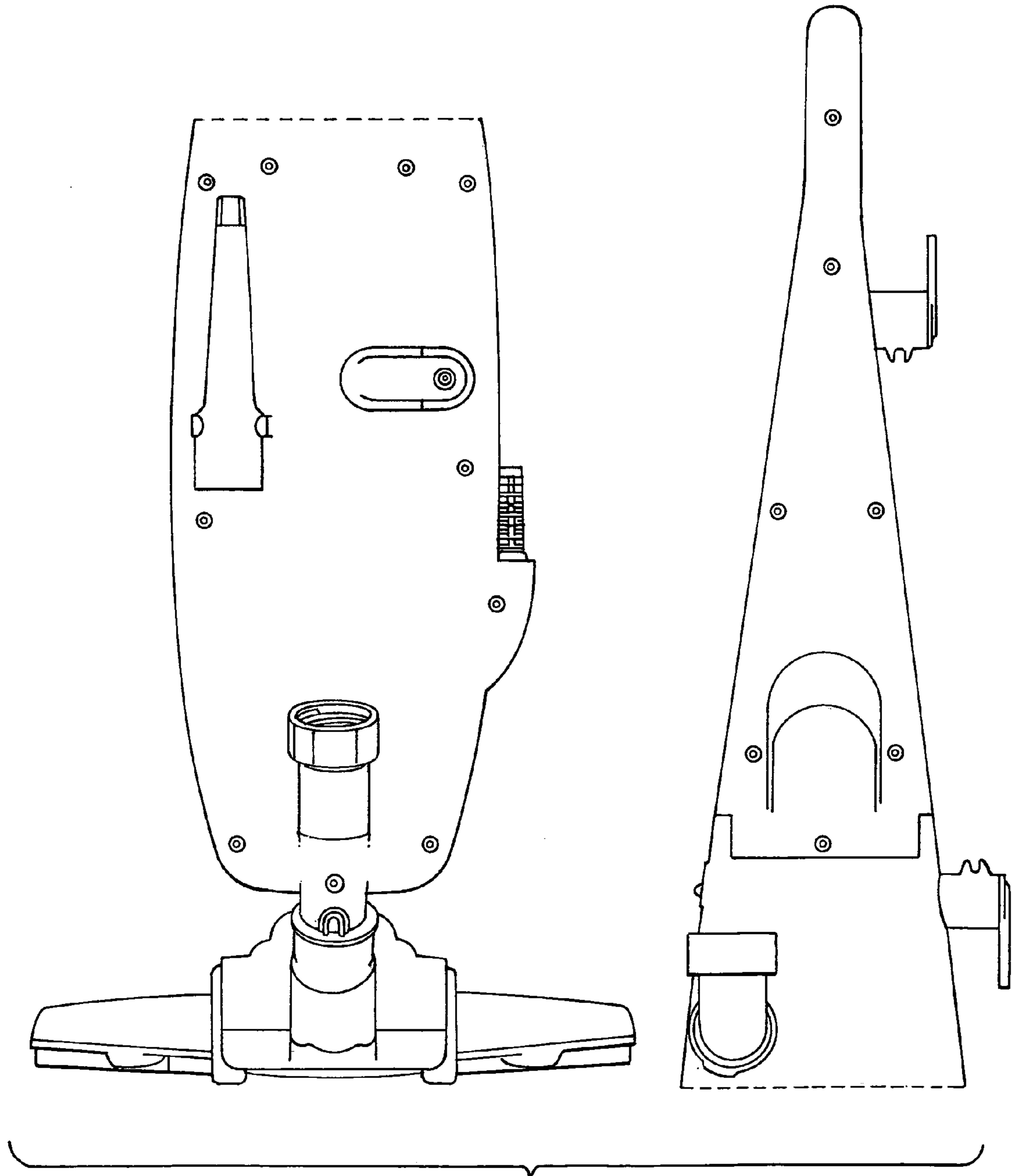


FIG. 3

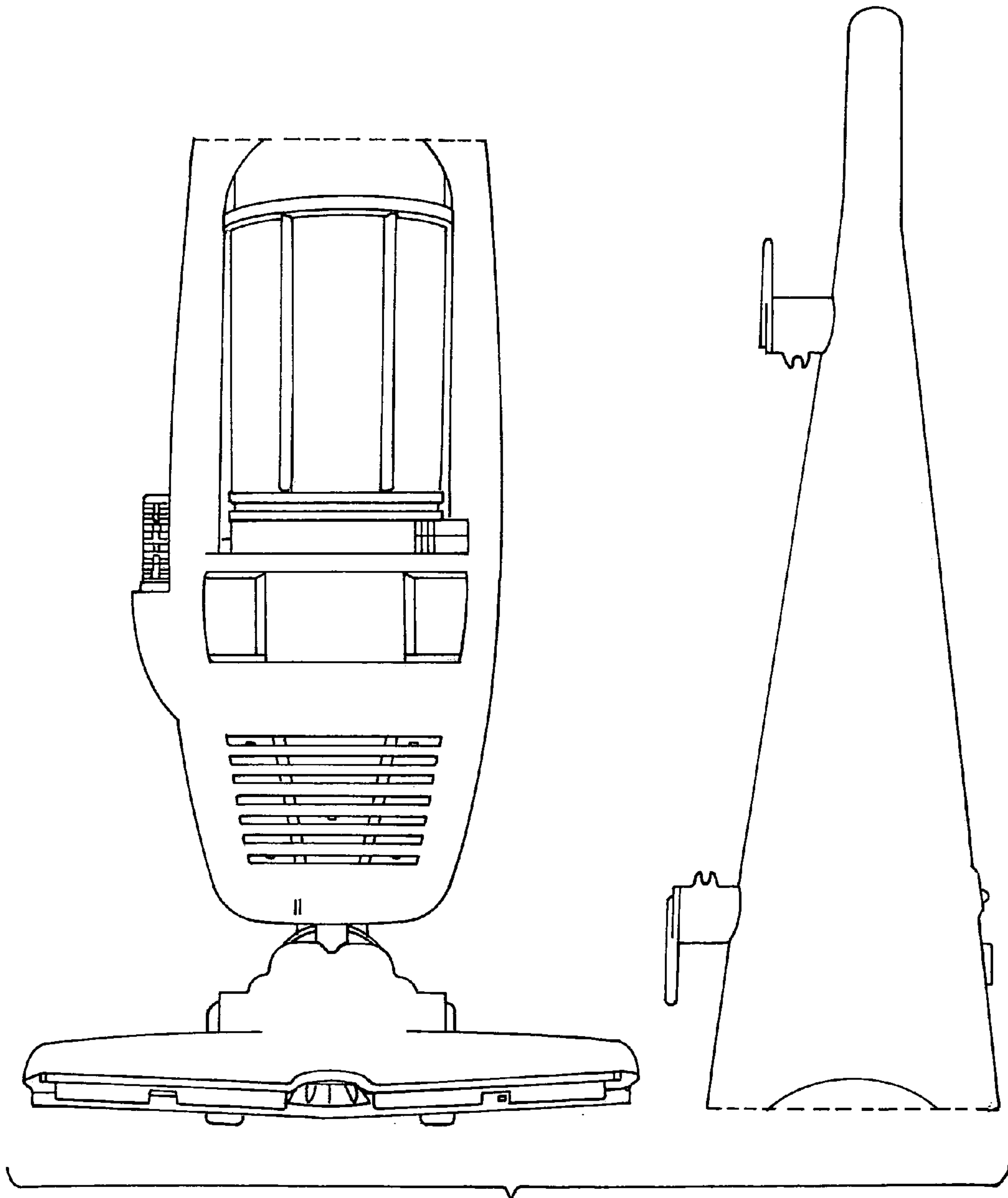


FIG. 4

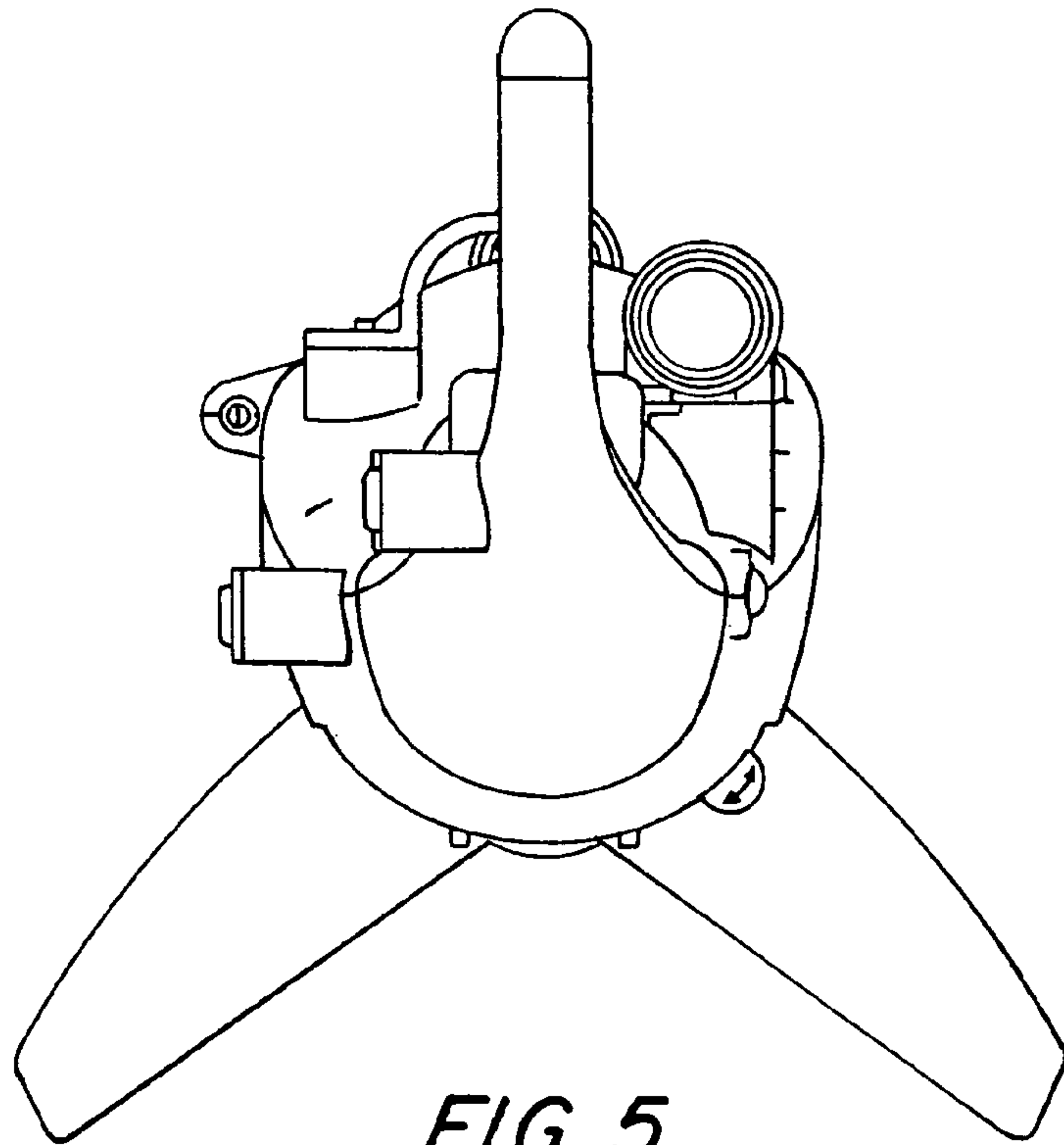


FIG. 5

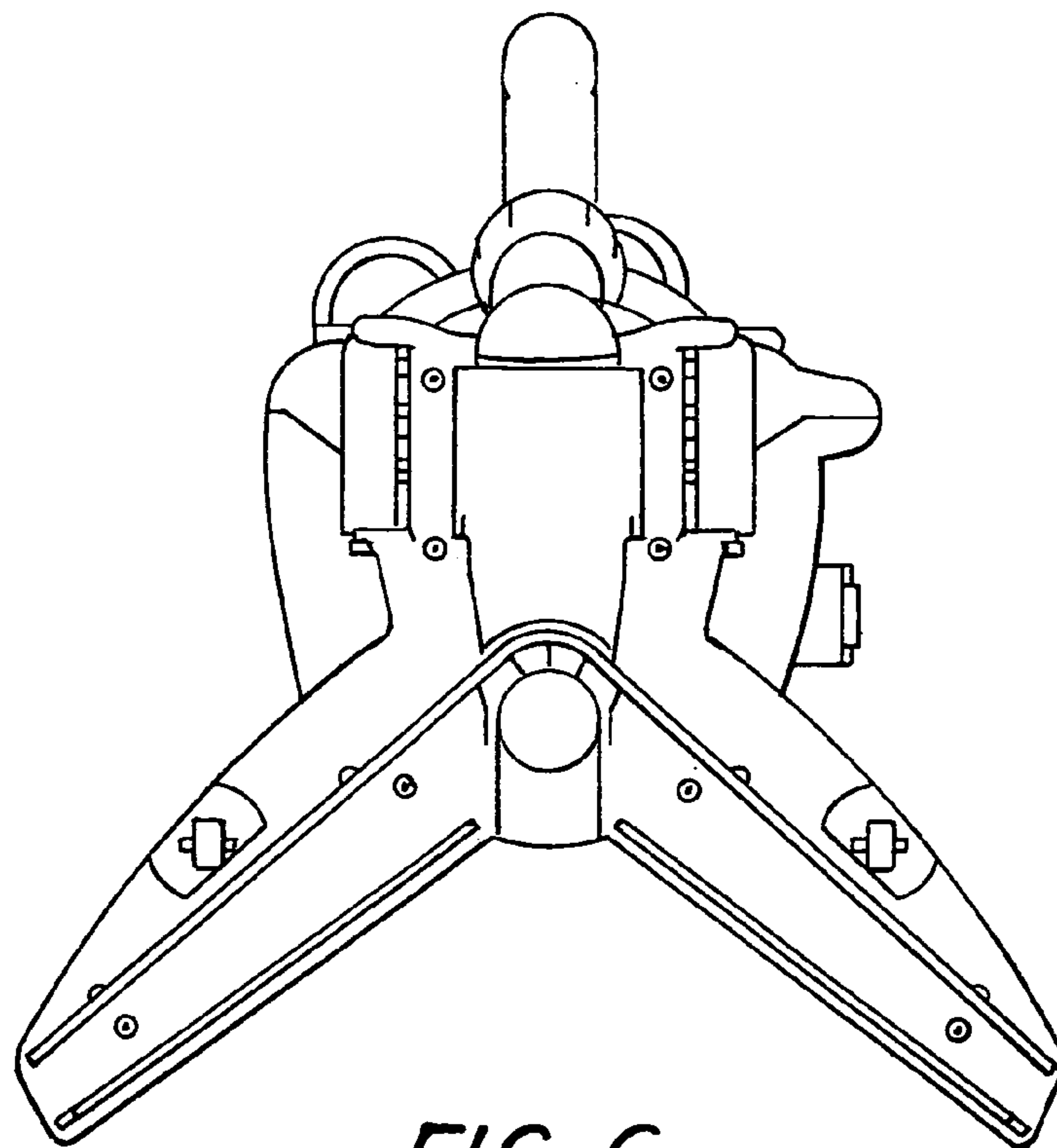


FIG. 6