



US00D591916S

(12) **United States Design Patent**  
**Kosugi et al.**

(10) **Patent No.:** **US D591,916 S**  
(45) **Date of Patent:** **\*\* May 5, 2009**

(54) **ENGINE BLOWER**

(75) Inventors: **Shingo Kosugi**, Hitachinaka (JP);  
**Masato Sakai**, Hitachinaka (JP);  
**Shinichi Kakefuda**, Hitachinaka (JP);  
**Tomoyuki Kawahara**, Hitachinaka (JP);  
**Yoshikazu Yokoyama**, Hitachinaka (JP);  
**Takahiro Hirai**, Hitachinaka (JP)

(73) Assignee: **Hitachi Koki Co., Ltd.**, Tokyo (JP)

(\*\*) Term: **14 Years**

(21) Appl. No.: **29/306,162**

(22) Filed: **Apr. 3, 2008**

(30) **Foreign Application Priority Data**

Oct. 3, 2007 (JP) ..... 2007-027058

(51) **LOC (9) Cl.** ..... **15-05**

(52) **U.S. Cl.** ..... **D32/15**

(58) **Field of Classification Search** ..... D32/1,  
D32/4, 15, 16, 25, 17, 21, 22, 31; 15/320,  
15/321, 322, 323, 344, 345, 353, 403, 405;  
D15/17

See application file for complete search history.

(56) **References Cited**

**U.S. PATENT DOCUMENTS**

4,792,286 A \* 12/1988 Gassen ..... 417/234

D346,049 S \* 4/1994 Iida ..... D32/15  
D363,149 S \* 10/1995 Franke et al. .... D32/15  
D393,506 S \* 4/1998 Ohi et al. .... D32/15  
D417,044 S \* 11/1999 Ohi et al. .... D32/15  
D431,697 S \* 10/2000 Hayakawa et al. .... D32/15  
D481,497 S \* 10/2003 Malmqvist et al. .... D32/15  
D481,839 S \* 11/2003 Almquist et al. .... D32/15  
D528,256 S \* 9/2006 Beth et al. .... D32/21  
D549,893 S \* 8/2007 Chen ..... D32/4  
D558,939 S \* 1/2008 Yuasa ..... D32/15

\* cited by examiner

*Primary Examiner*—T. Chase Nelson

*Assistant Examiner*—Kathleen M Sims

(74) *Attorney, Agent, or Firm*—Sughrue Mion, PLLC

(57) **CLAIM**

The ornamental design for an engine blower, as shown and described.

**DESCRIPTION**

FIG. 1 is a perspective of the engine blower;

FIG. 2 is a right side view thereof;

FIG. 3 is a left side view thereof;

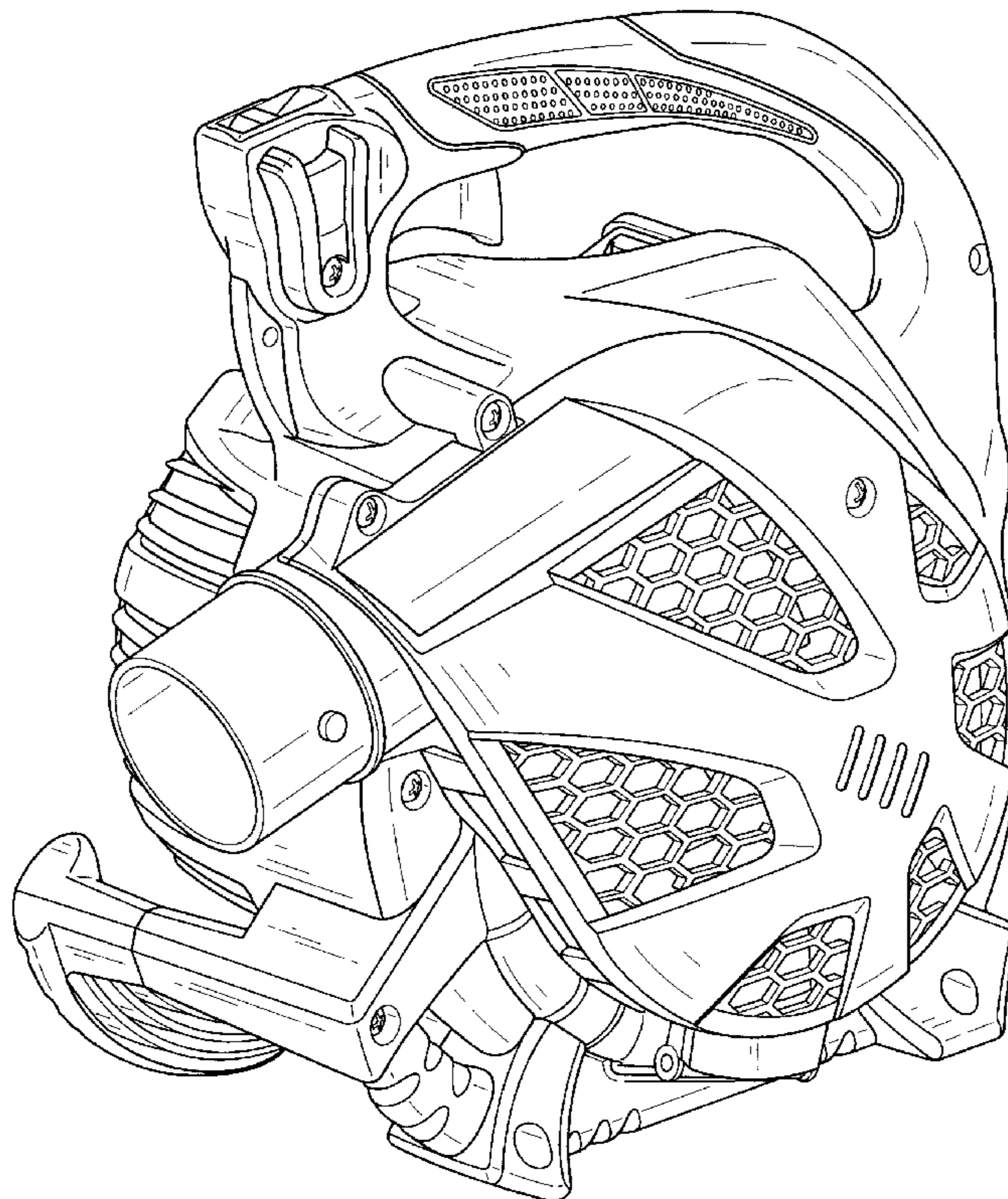
FIG. 4 is a front view thereof;

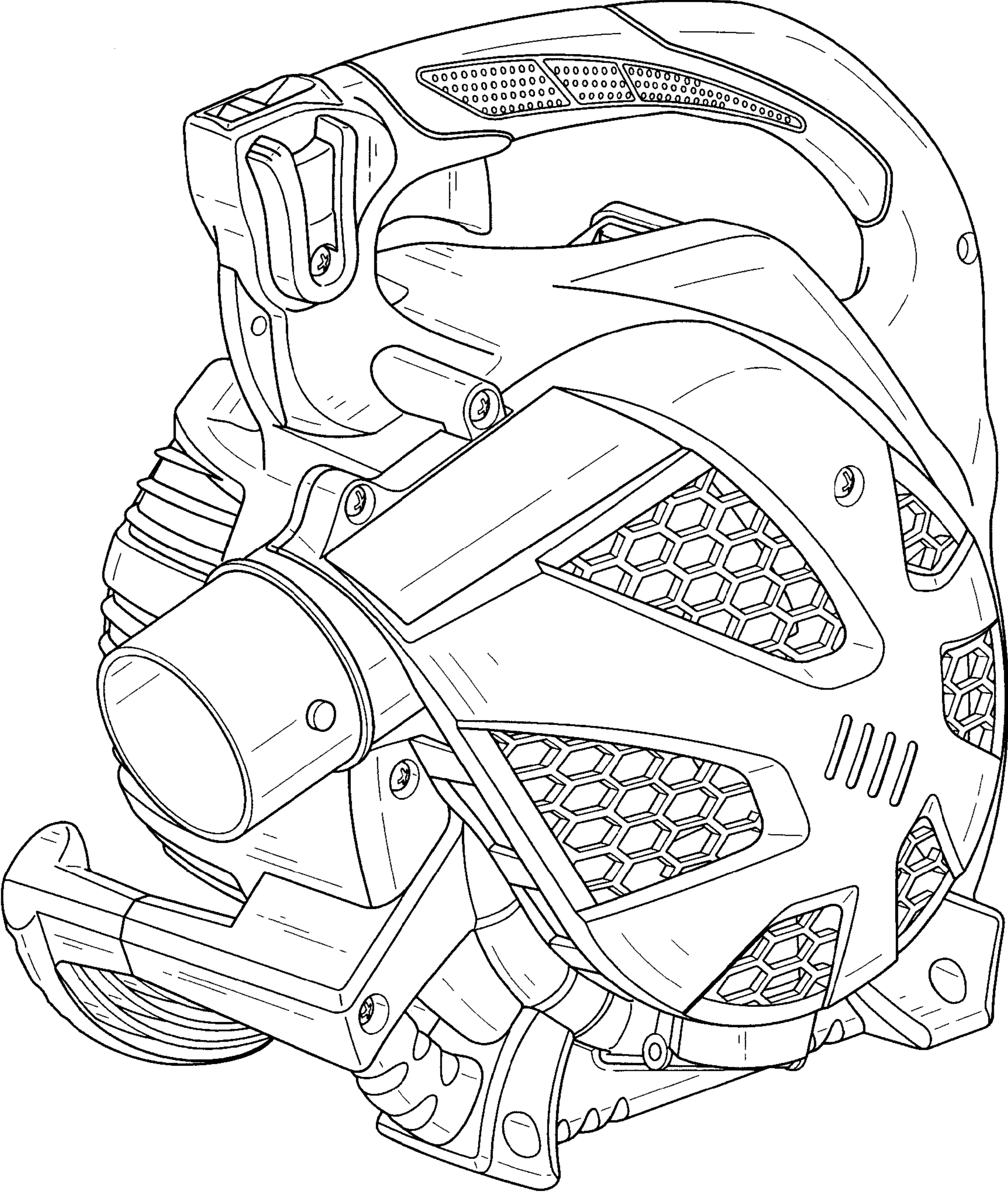
FIG. 5 is a rear view thereof;

FIG. 6 is a top view thereof; and,

FIG. 7 is a bottom view thereof.

**1 Claim, 7 Drawing Sheets**





**FIG. 1**

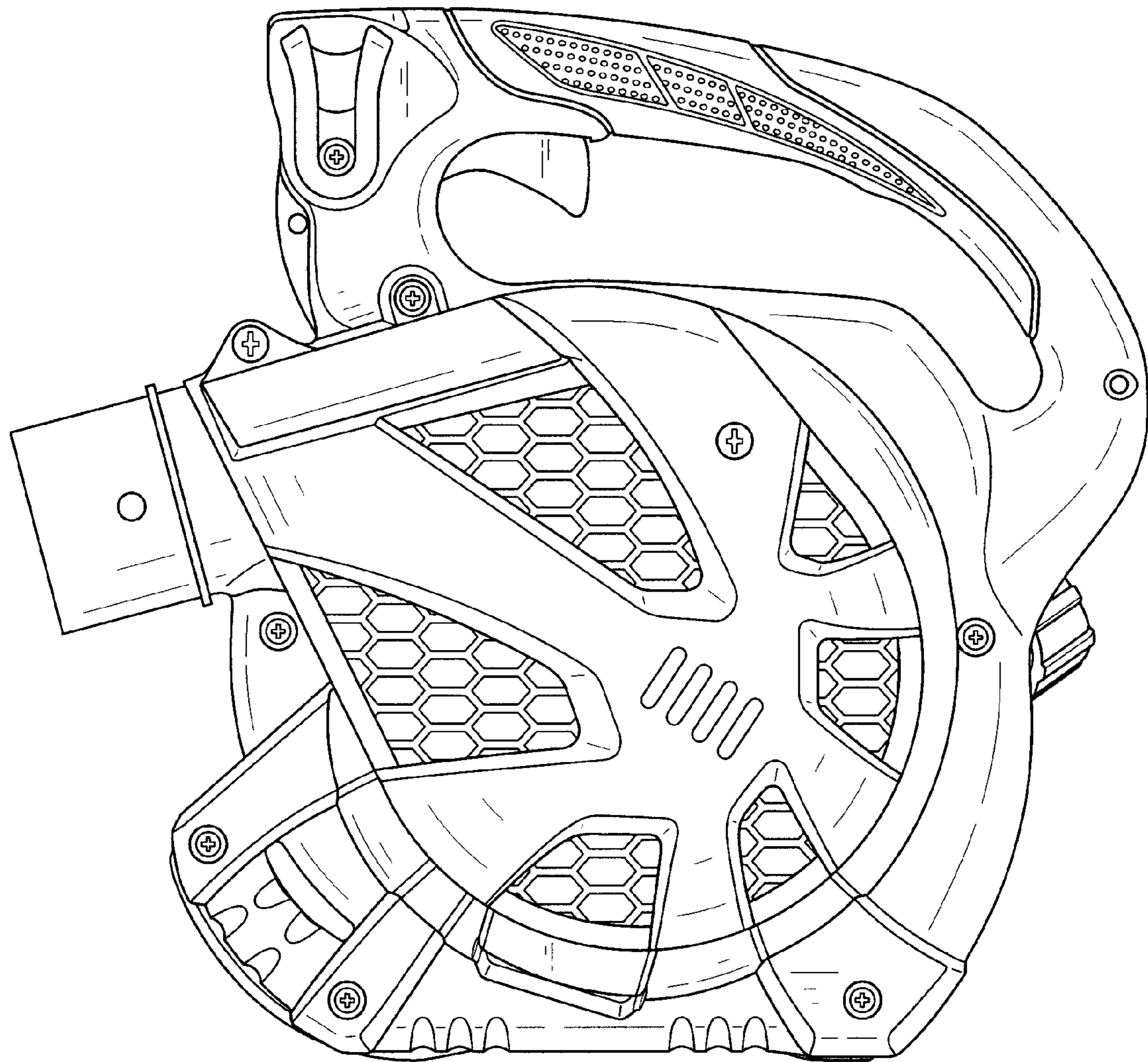


FIG. 2

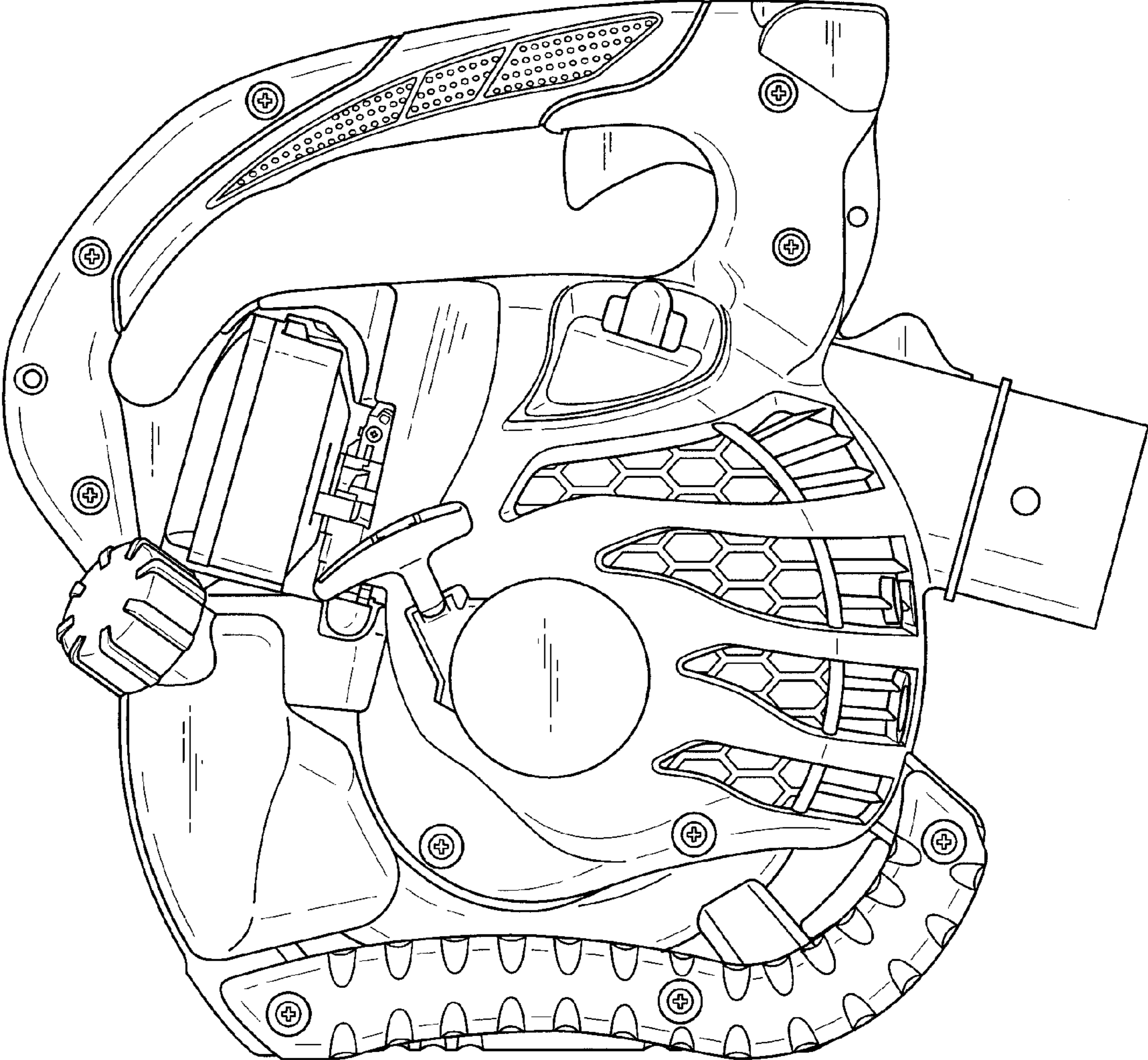
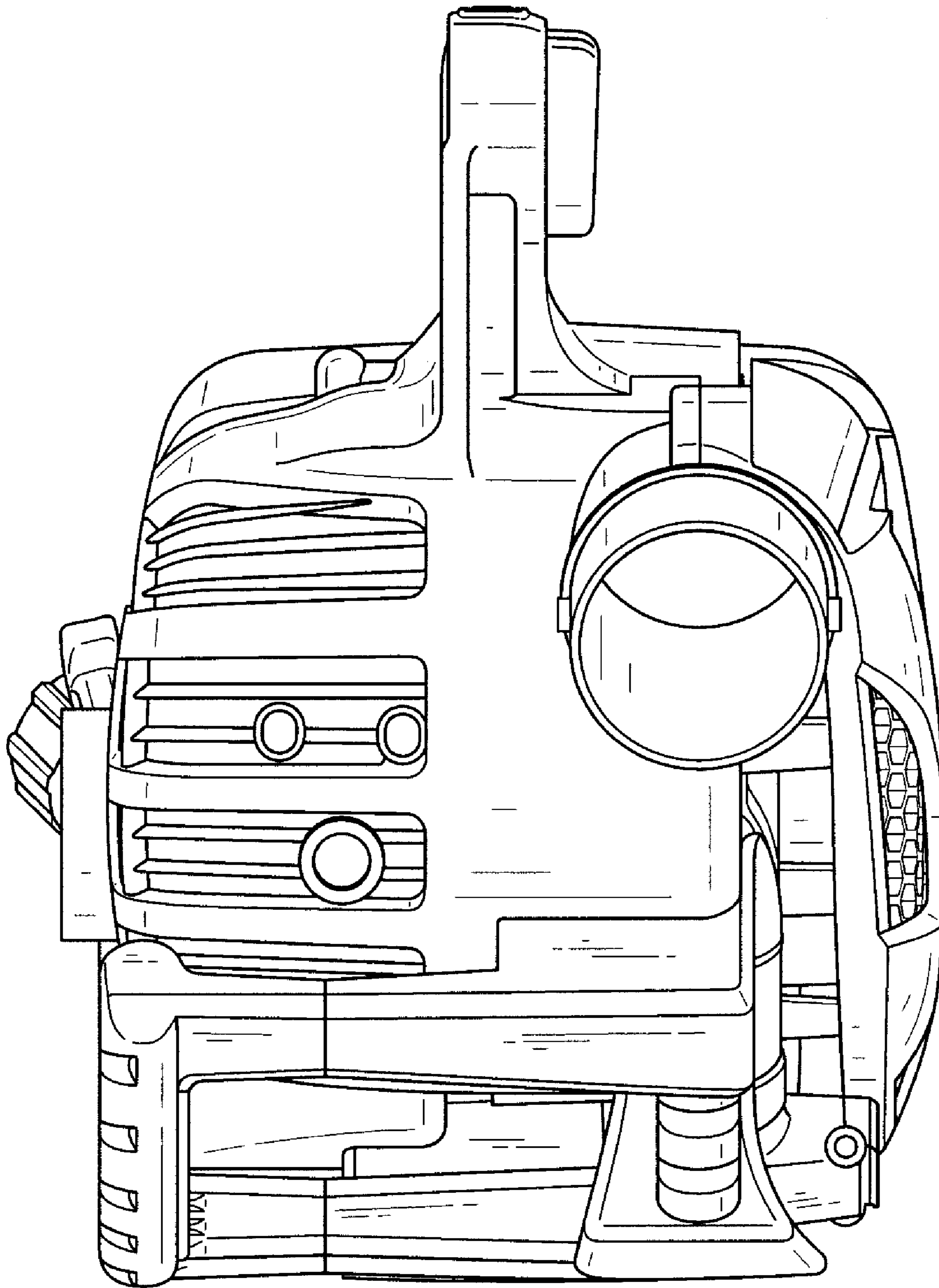
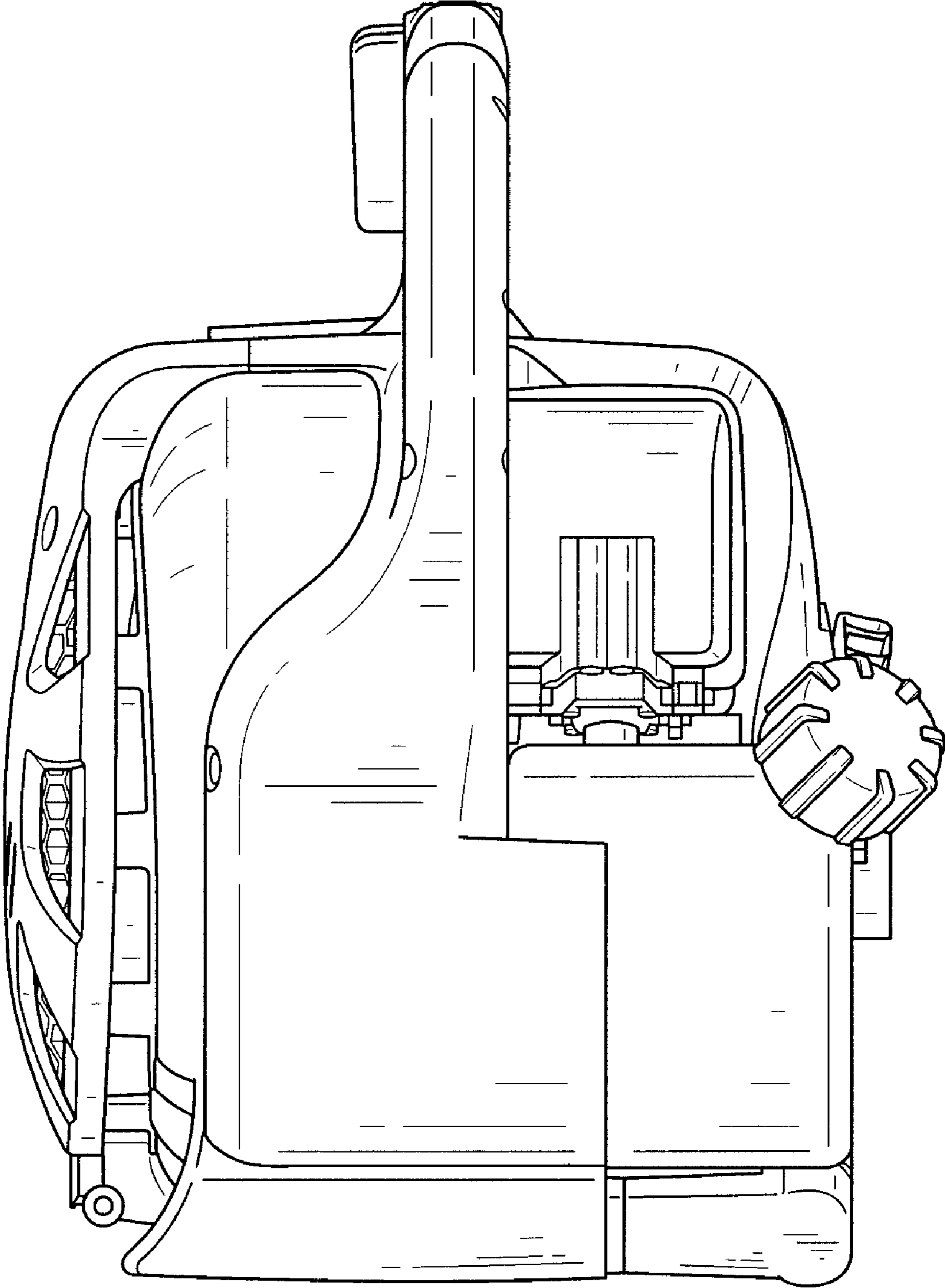


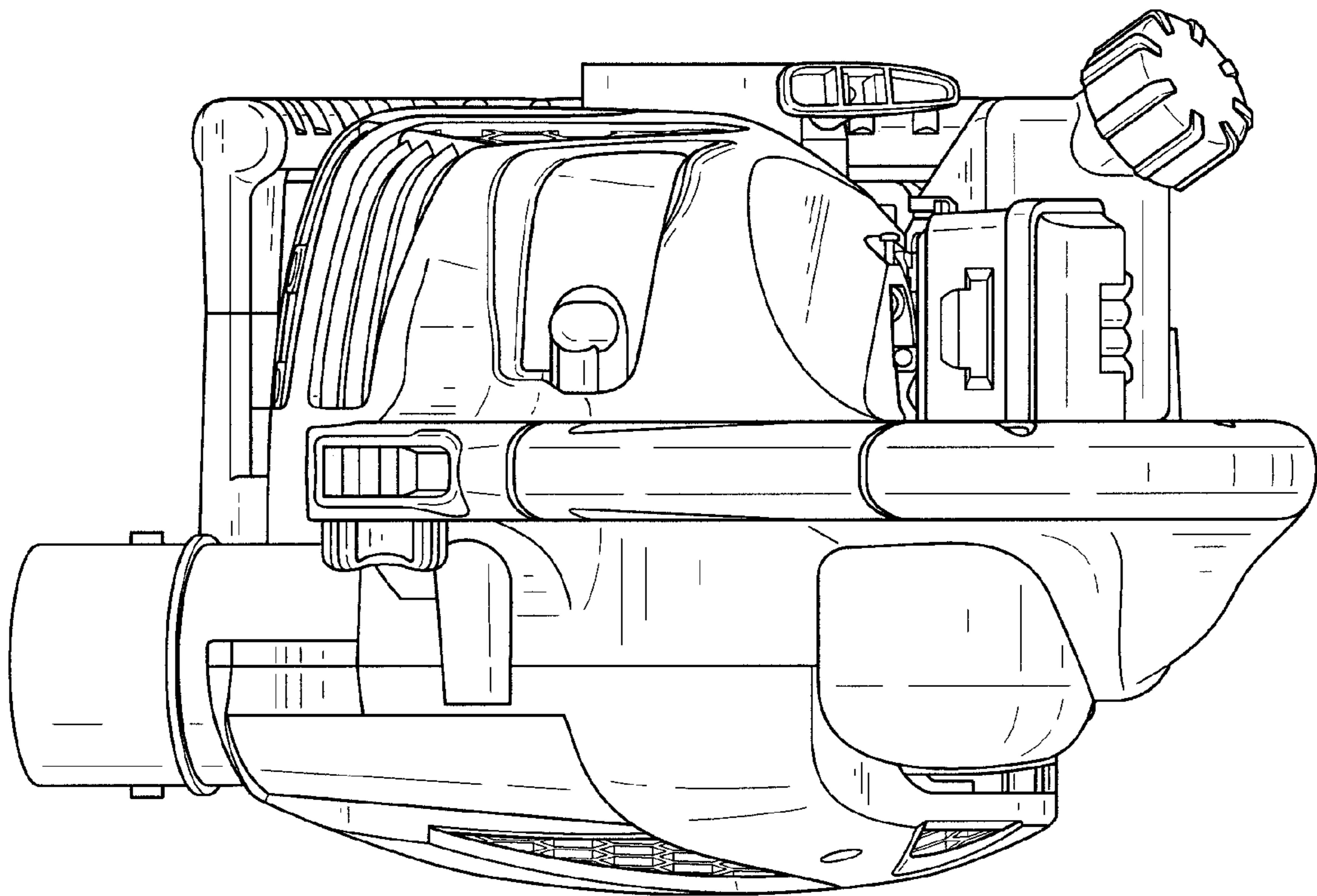
FIG. 3



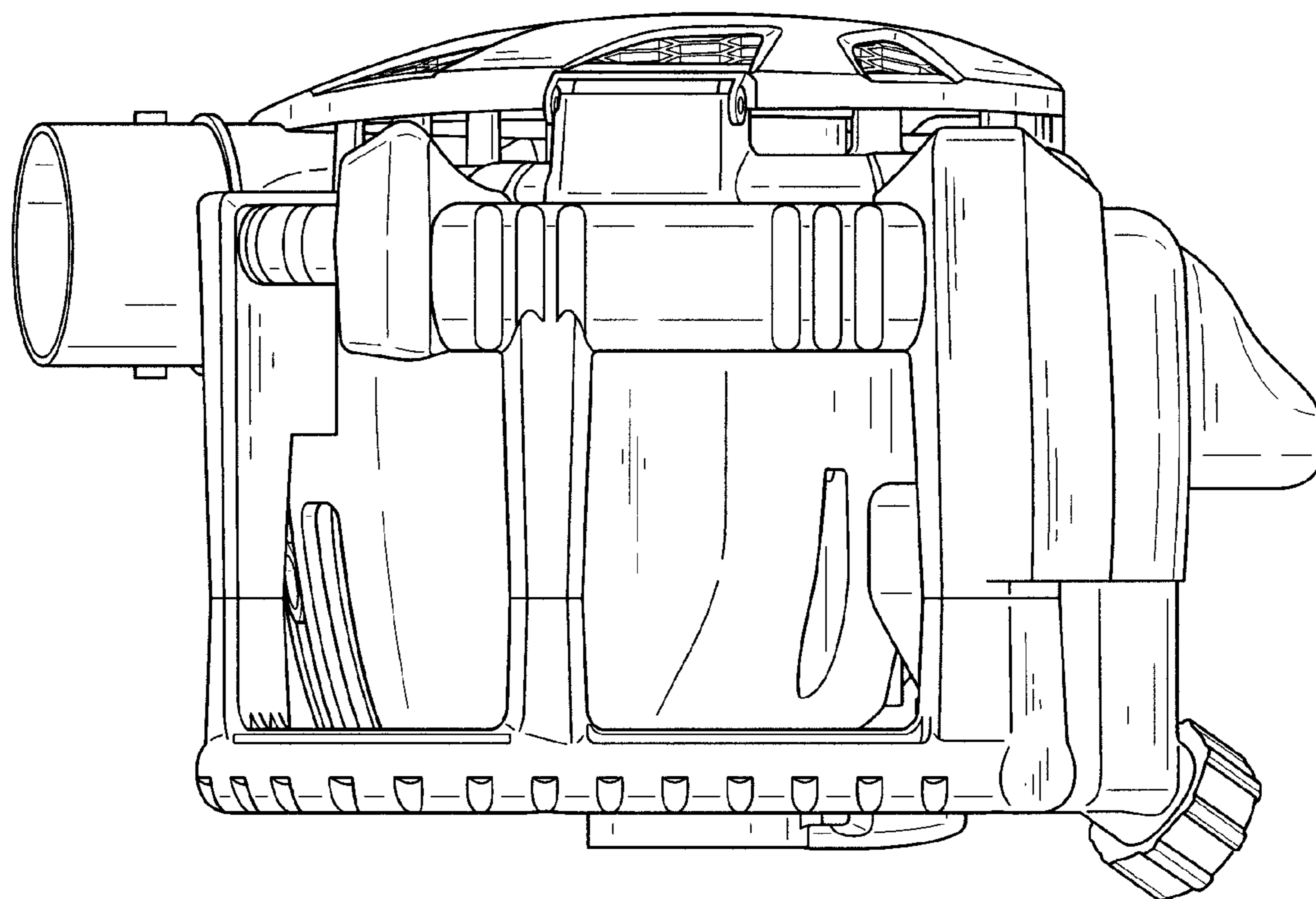
**FIG. 4**



**FIG. 5**



*FIG. 6*



*FIG. 7*