



US00D591915S

(12) **United States Design Patent**
Lee

(10) **Patent No.:** **US D591,915 S**
(45) **Date of Patent:** **** May 5, 2009**

(54) **FOOD WASTE DRYING MACHINE**

2008/0057173 A1* 3/2008 Kim 426/456

(76) Inventor: **Hee Ja Lee**, 110, Hyundai Villa, 61-2
Samseong-dong, Gangnam-gu, Seoul
(KR) 135-870

OTHER PUBLICATIONS

<http://www.ec21.com/app/jsp/popMultimg.jsp> May 15, 2008.*

* cited by examiner

(**) Term: **14 Years**

Primary Examiner—Louis S Zarfaz

Assistant Examiner—Kathleen M Sims

(21) Appl. No.: **29/297,332**

(74) *Attorney, Agent, or Firm*—Abelman, Frayne & Schwab

(22) Filed: **Nov. 8, 2007**

(57) **CLAIM**

(30) **Foreign Application Priority Data**

May 9, 2007 (KR) 30-2007-0020236

The ornamental design for a food waste drying machine, as shown and described.

(51) **LOC (9) Cl.** **15-05**

DESCRIPTION

(52) **U.S. Cl.** **D32/8; D7/323**

FIG. 1 is a top front right perspective view of a food waste drying machine in a closed configuration showing my new design.

(58) **Field of Classification Search** 68/3 R,
68/5 R, 12.01; 34/523-524; 312/31; D32/1,
D32/2, 6, 8; D7/323, 347, 375, 350-351,
D7/213, 368; 426/242; 219/400

FIG. 2 is a front elevational view thereof.

FIG. 3 is a rear elevational view thereof.

See application file for complete search history.

FIG. 4 is a left side elevational view thereof.

(56) **References Cited**

FIG. 5 is a right side elevational view thereof.

U.S. PATENT DOCUMENTS

FIG. 6 is a top plan view thereof.

D408,210 S * 4/1999 Su D7/323

FIG. 7 is a bottom plan view thereof; and,

D536,145 S * 1/2007 Lee et al. D32/6

FIG. 8 is a left side elevational view thereof showing an open configuration.

D560,952 S * 2/2008 Lee D7/323

D564,545 S * 3/2008 Poss et al. D15/123

D566,922 S * 4/2008 Lee D34/7

2007/0190212 A1* 8/2007 Lee 426/242

1 Claim, 8 Drawing Sheets

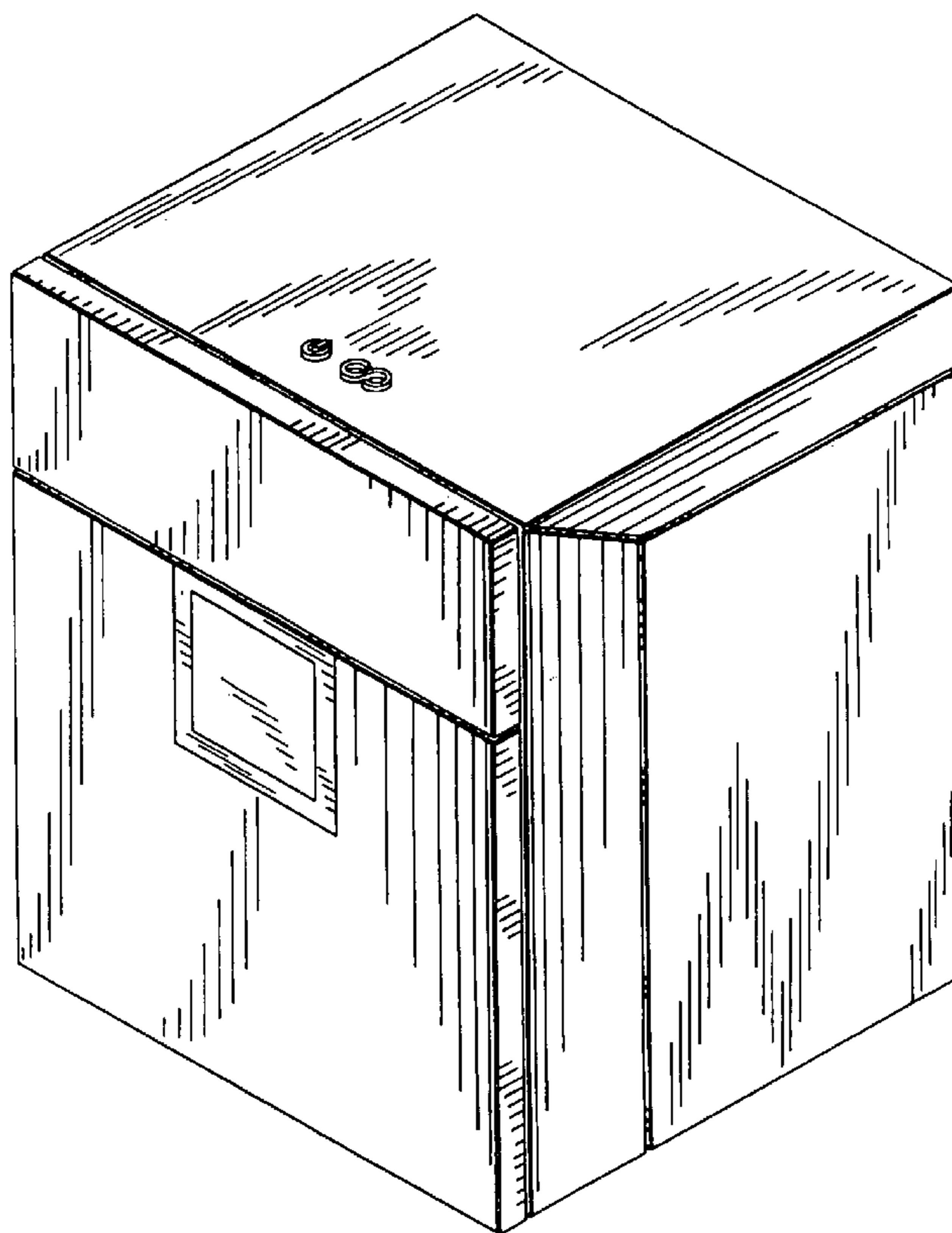
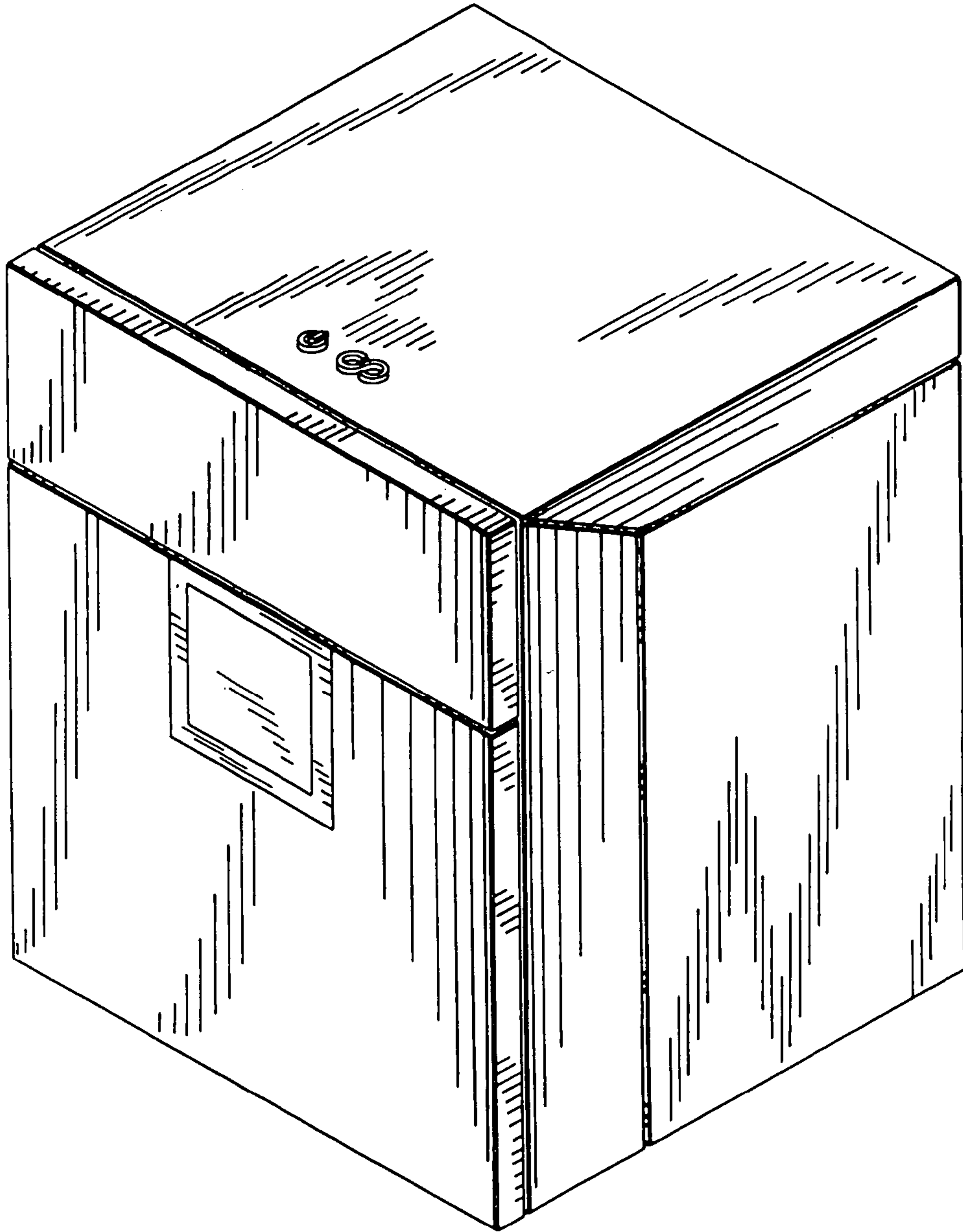


FIG. 1



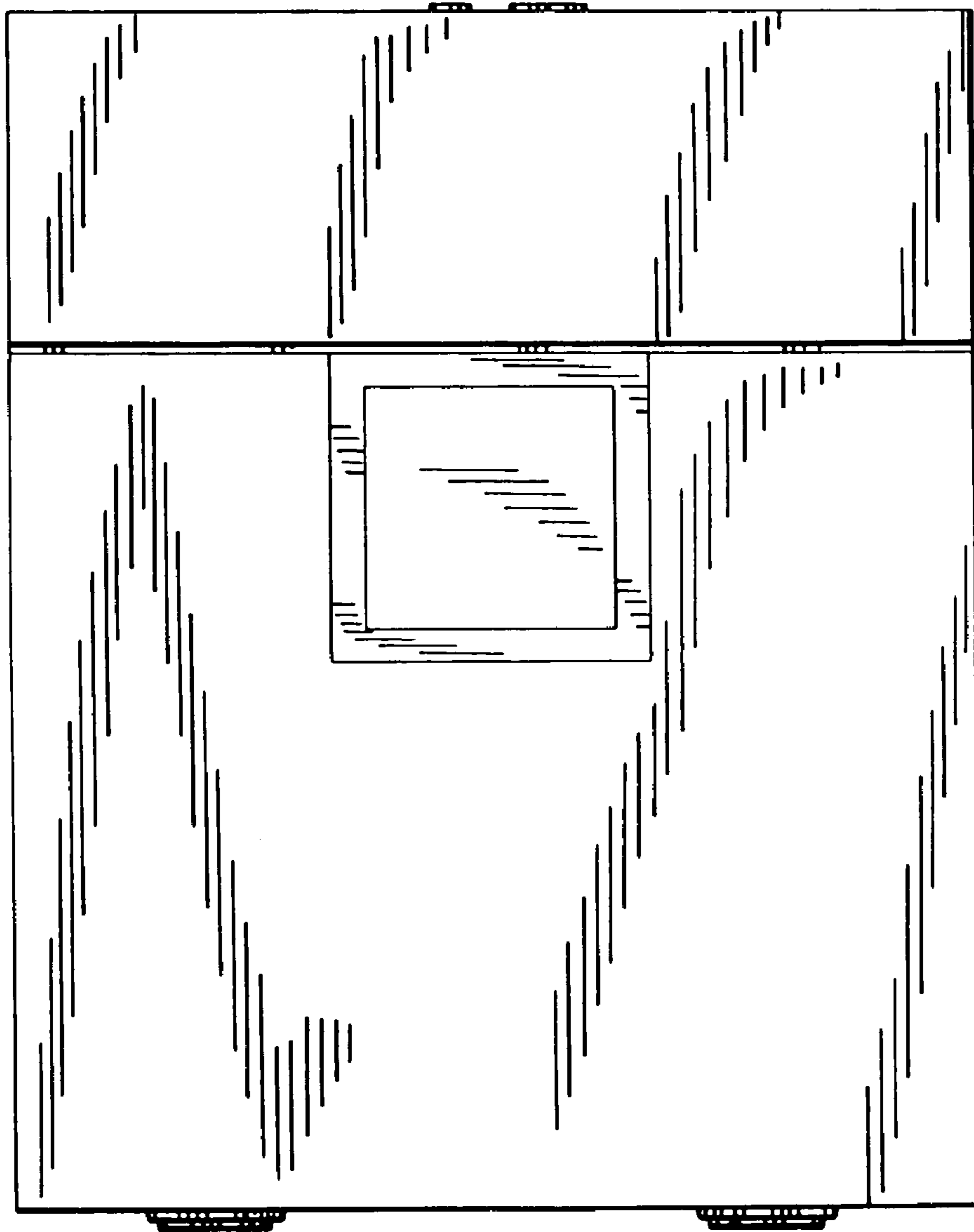


FIG. 2

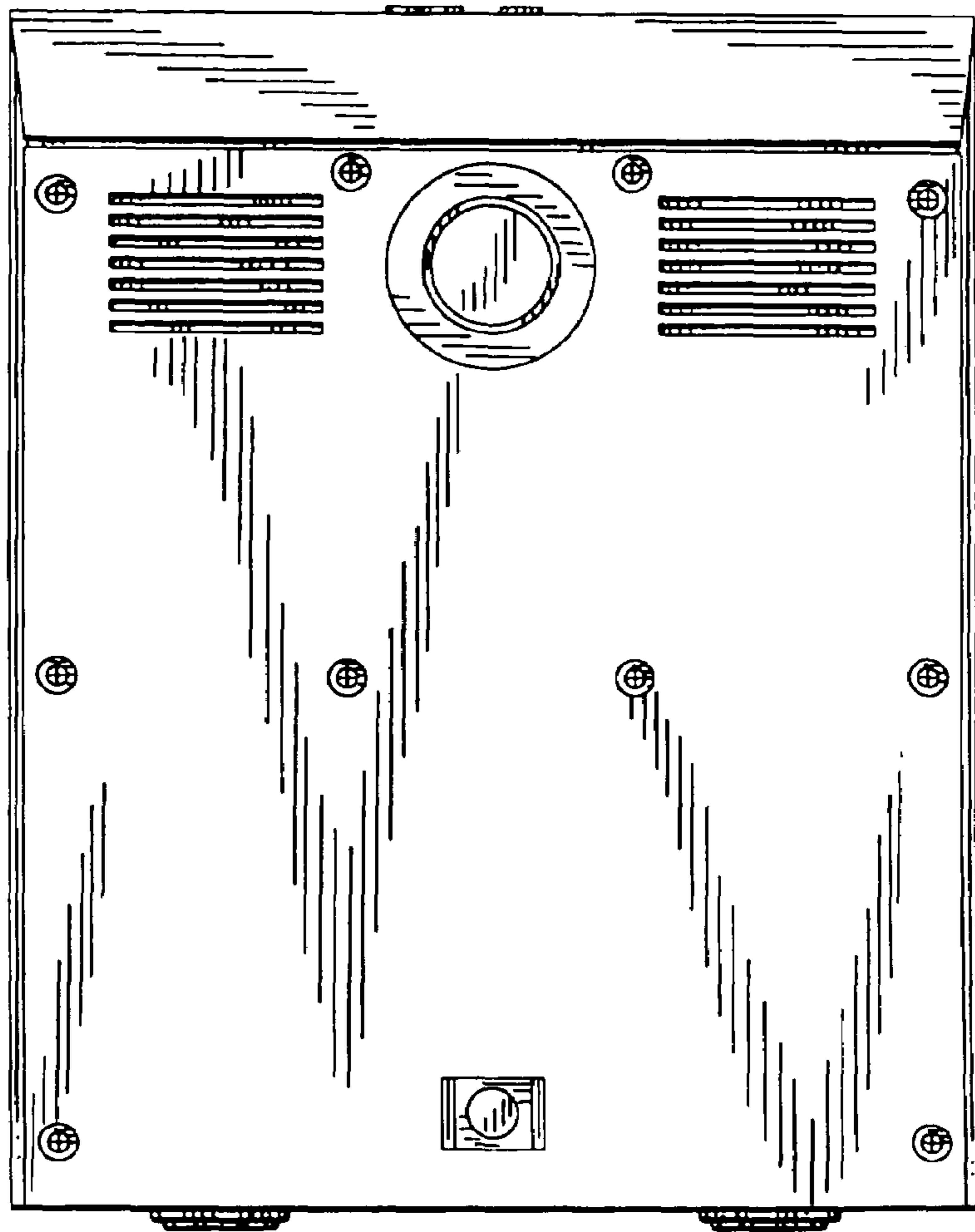


FIG. 3

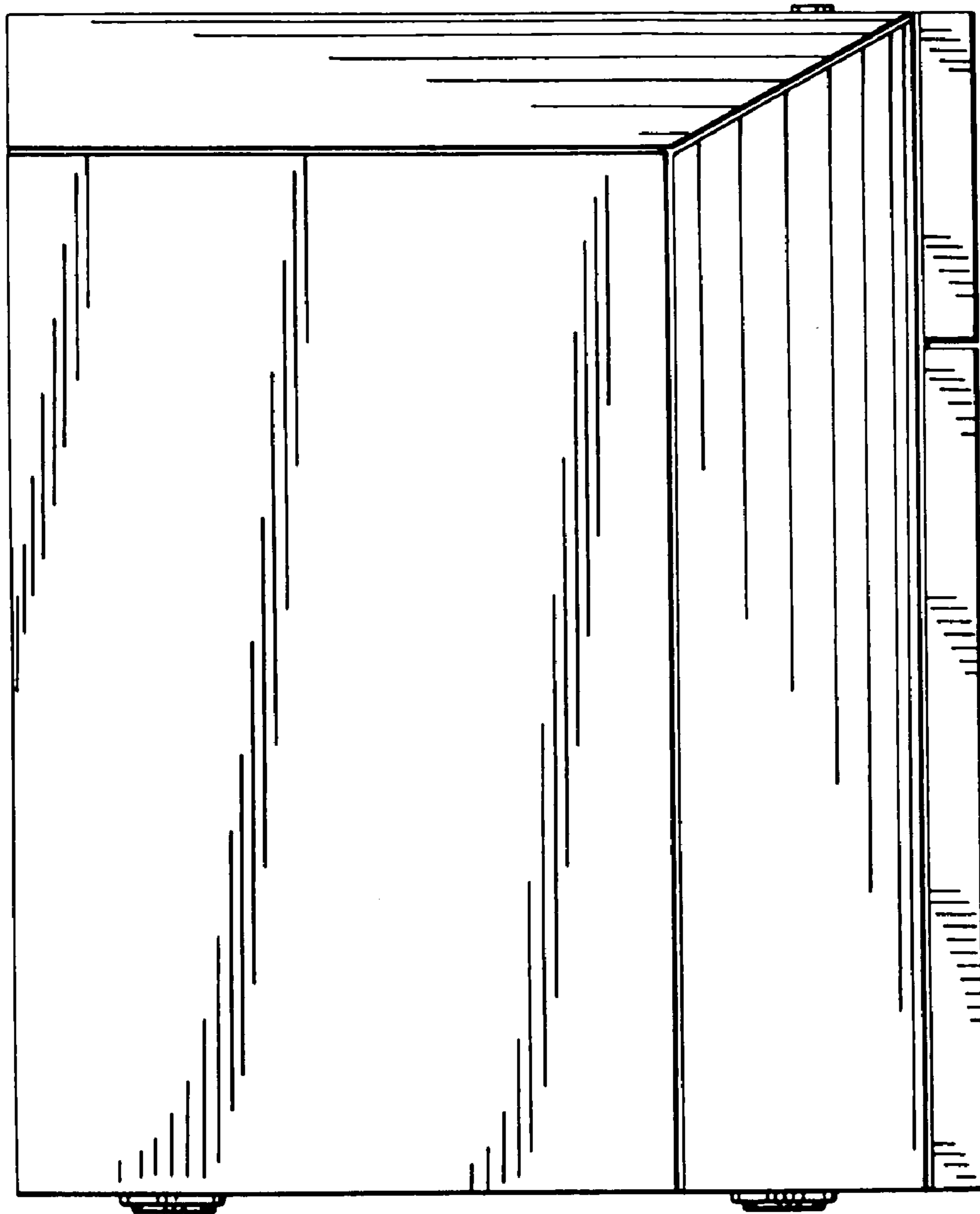


FIG. 4

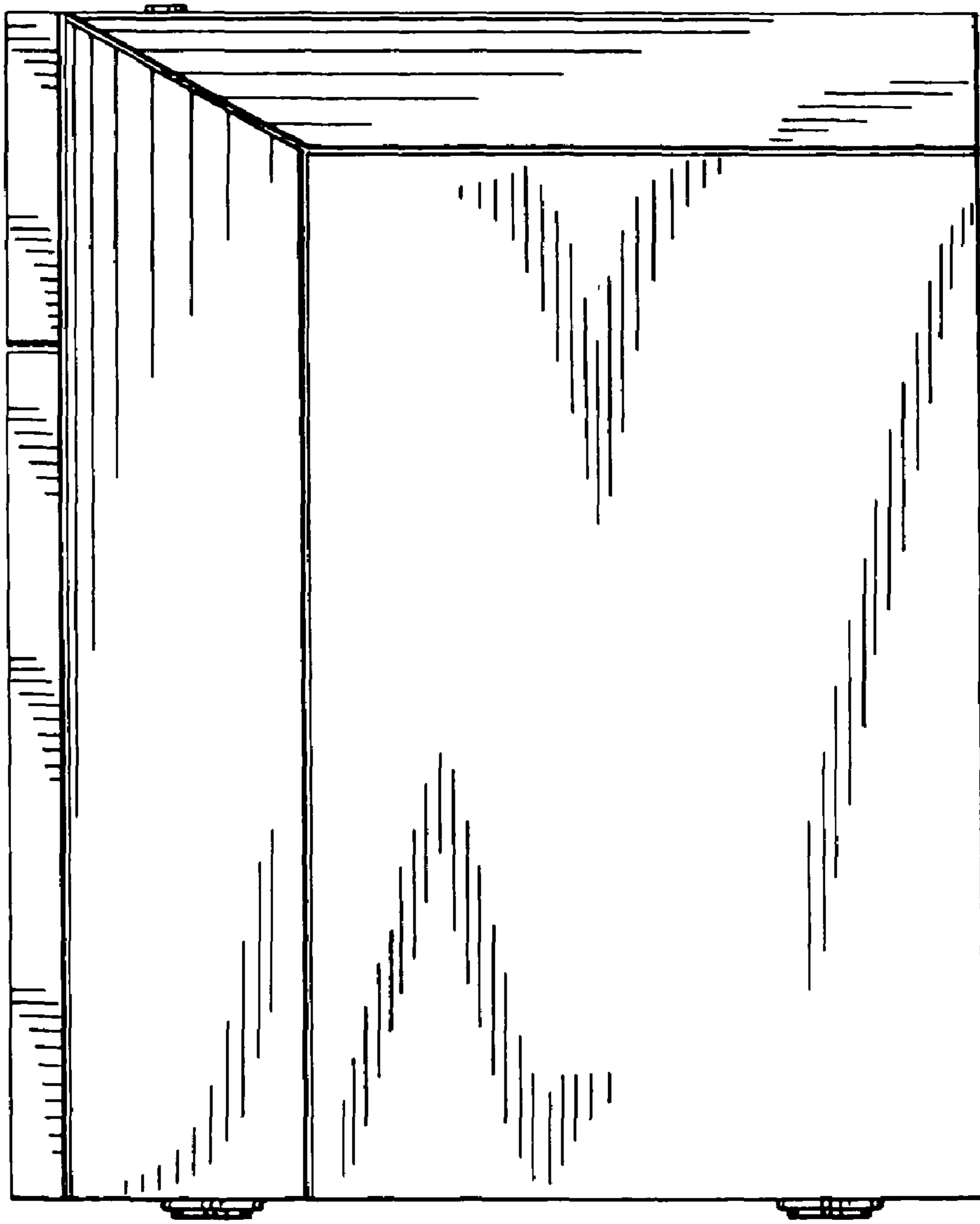


FIG. 5

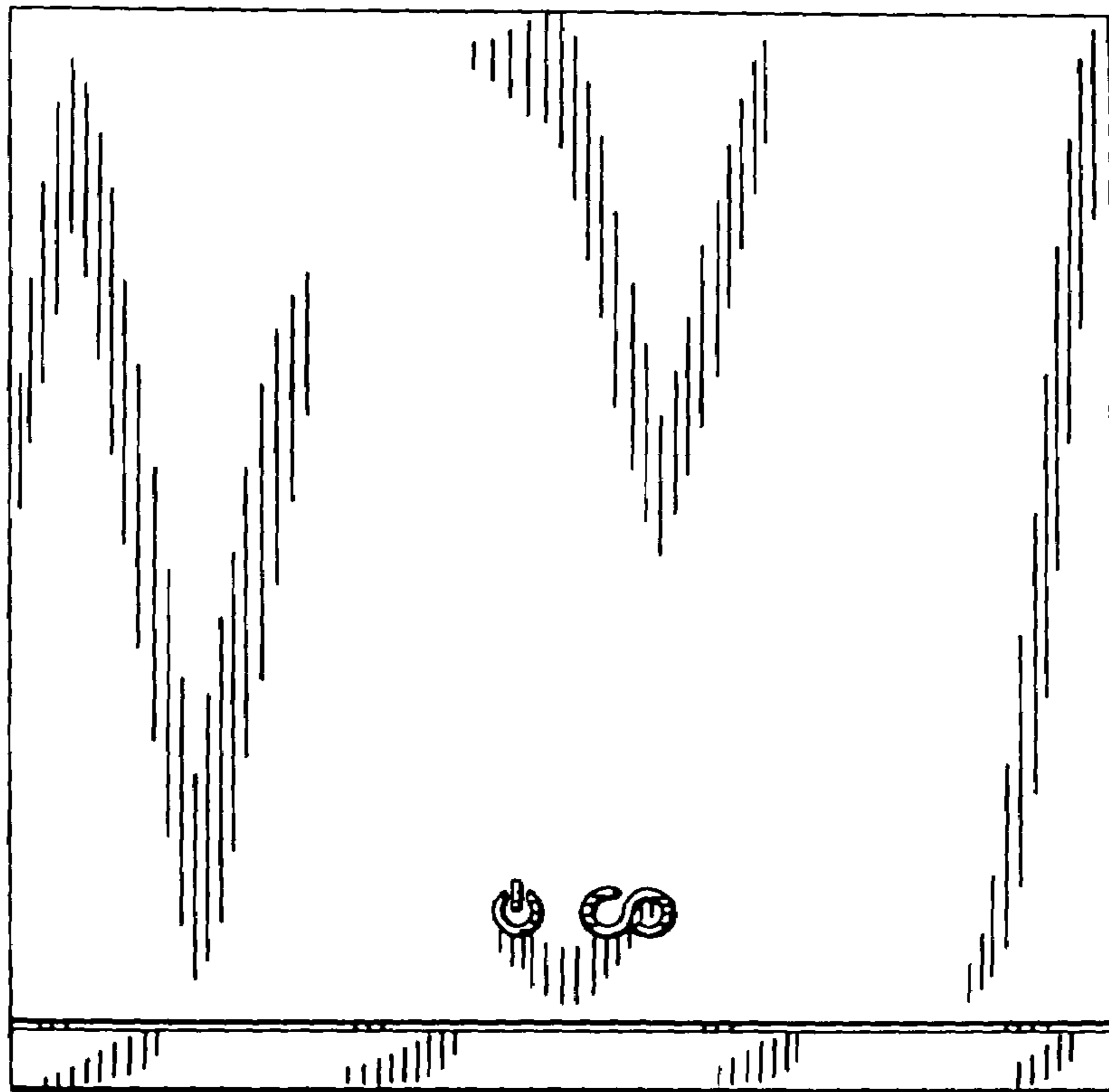


FIG. 6

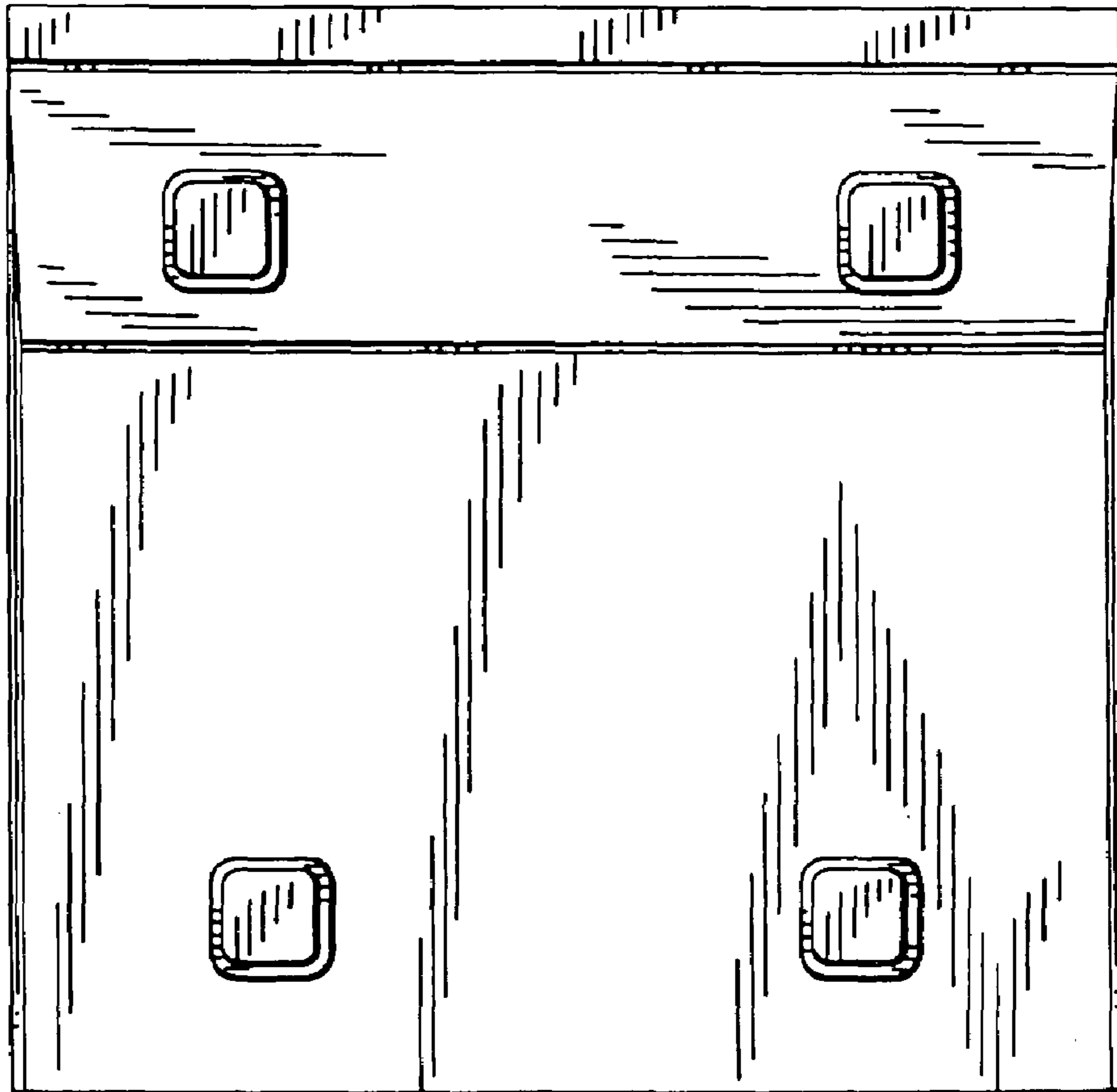


FIG. 7

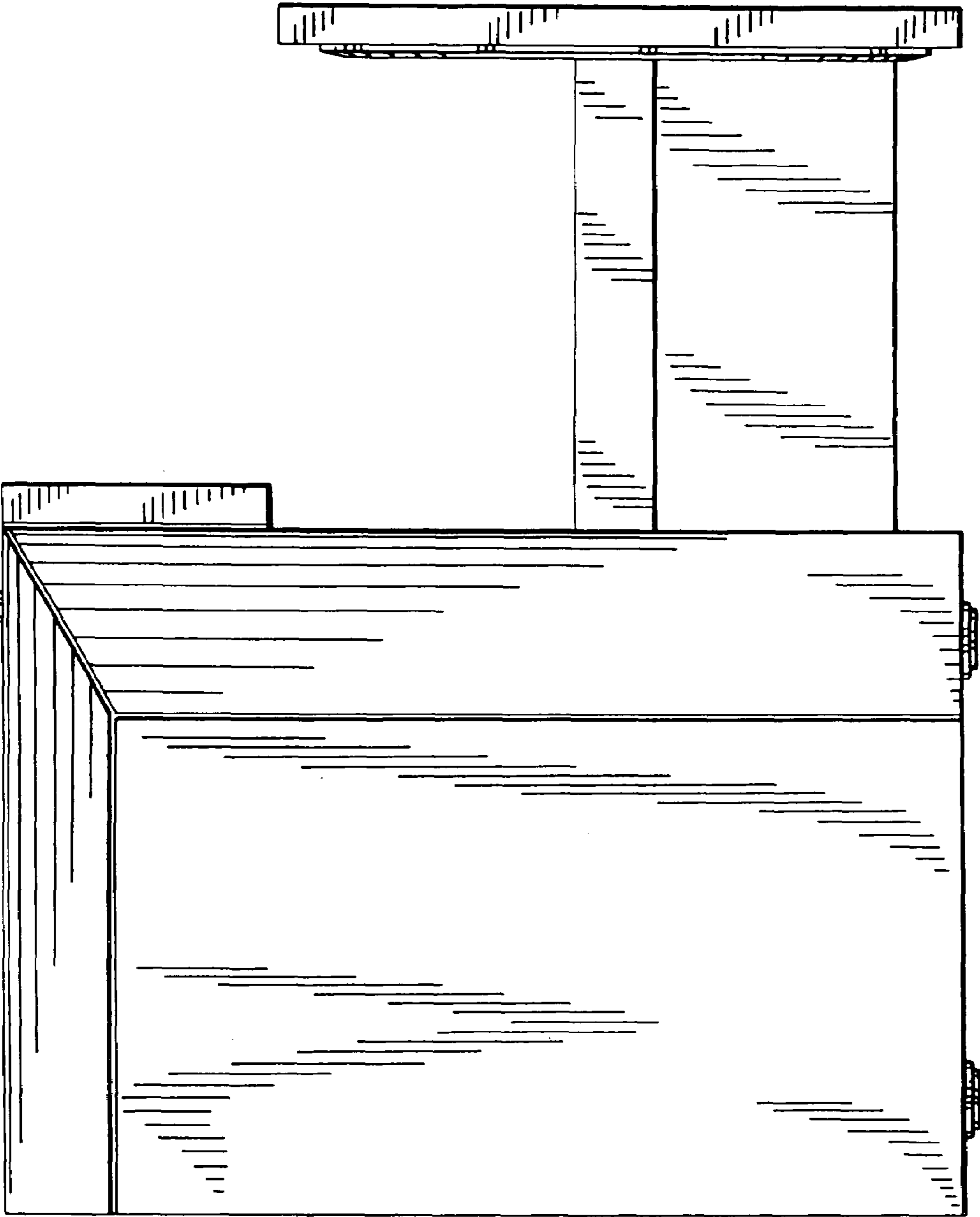


FIG. 8