



US00D591914S

(12) **United States Design Patent**
Witham

(10) **Patent No.:** **US D591,914 S**
(45) **Date of Patent:** **** May 5, 2009**

(54) **CANINE COMMUNICATION DEVICE**

(76) Inventor: **Ellen Elaine Witham**, 13834 SW. Fanno
Creek Dr., #5, Tigard, OR (US) 97223

(**) Term: **14 Years**

(21) Appl. No.: **29/292,960**

(22) Filed: **Nov. 5, 2007**

(51) **LOC (9) Cl.** **30-99**

(52) **U.S. Cl.** **D30/199**

(58) **Field of Classification Search** D30/199,
D30/160, 155, 118; D5/65, 99; D10/104;
D13/168; D11/127, 121, 125

See application file for complete search history.

(56) **References Cited**

U.S. PATENT DOCUMENTS

D67,712 S *	6/1925	Melville	D2/967
D357,588 S *	4/1995	Fachinger	D6/304
D360,304 S *	7/1995	Fachinger	D6/304
D397,740 S *	9/1998	Georgevich	D21/400
D418,837 S *	1/2000	Ishii	D14/218
D427,743 S *	7/2000	Macias	D1/107
D445,518 S *	7/2001	Warden	D26/38
D447,074 S *	8/2001	Chan	D10/104
D461,457 S *	8/2002	Lin	D13/168
D467,393 S *	12/2002	Warden	D30/155
D473,769 S *	4/2003	Kelleghan	D8/38
D476,767 S *	7/2003	Warden	D26/38

D504,223 S *	4/2005	Tamburri	D3/211
D513,236 S *	12/2005	Hunt et al.	D13/168
D515,515 S *	2/2006	Li	D13/168
D515,956 S *	2/2006	Li	D10/106
D531,364 S *	10/2006	Crane	D30/118
D543,036 S *	5/2007	Thompson et al.	D5/65
D560,862 S *	1/2008	Knuth et al.	D30/155
D561,411 S *	2/2008	Pipenur et al.	D30/155
D571,108 S *	6/2008	Slabaugh	D6/310
D571,929 S *	6/2008	Palmer, III	D25/2
D572,141 S *	7/2008	Slabaugh	D9/601
D574,282 S *	8/2008	Hill	D10/104
D581,830 S *	12/2008	Slabaugh	D11/127

* cited by examiner

Primary Examiner—Susan Moon Lee

(57) **CLAIM**

I claim the ornamental design for a canine communication device, as shown and described.

DESCRIPTION

FIG. 1 is a top perspective view of a canine communication device according to the present invention;

FIG. 2 is a top view of the invention.

FIG. 3 is a right side view of the invention; and

FIG. 4 is a right side view of the invention; and,

FIG. 5 is a left side view of the invention.

1 Claim, 5 Drawing Sheets

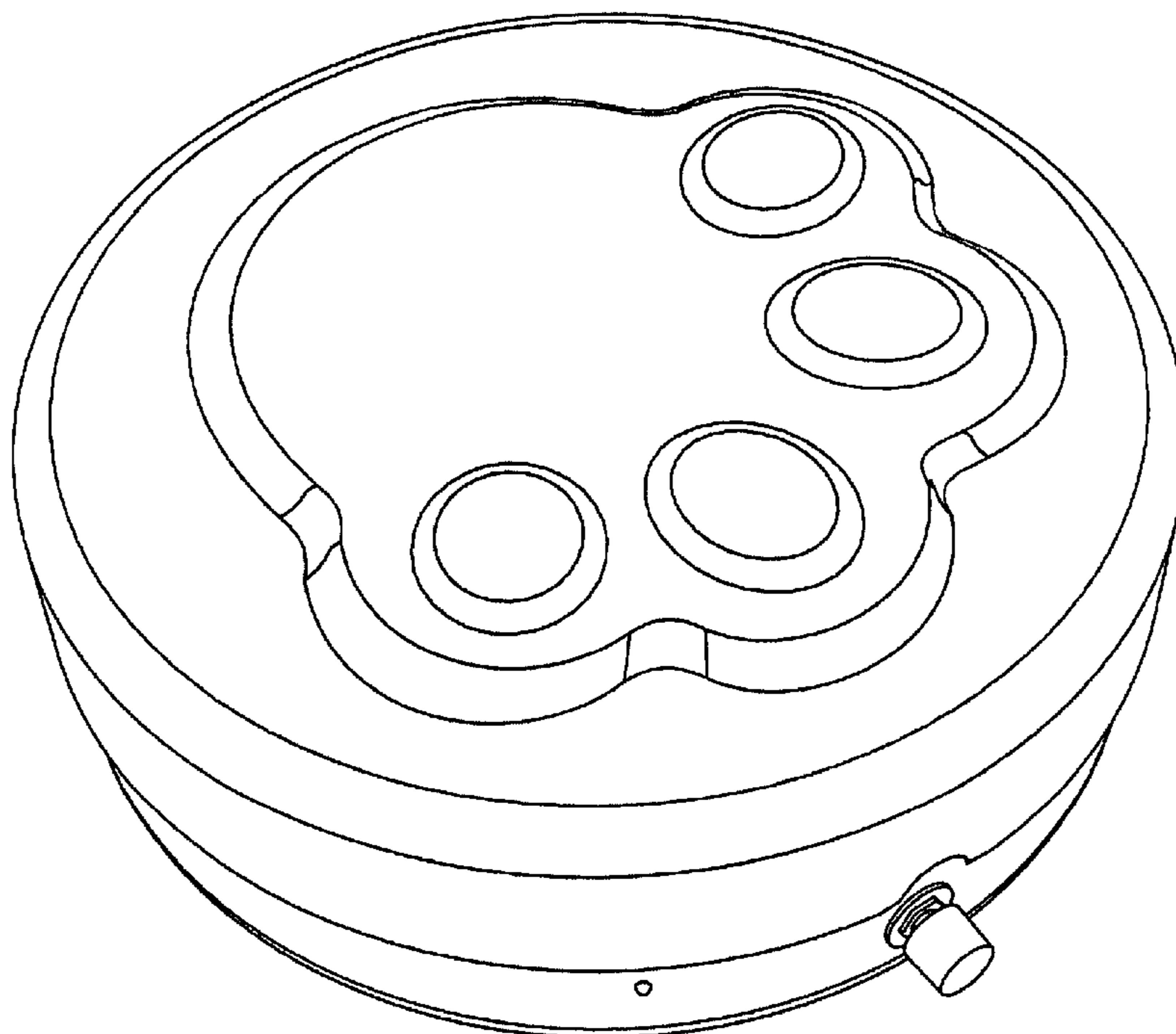


FIG 1

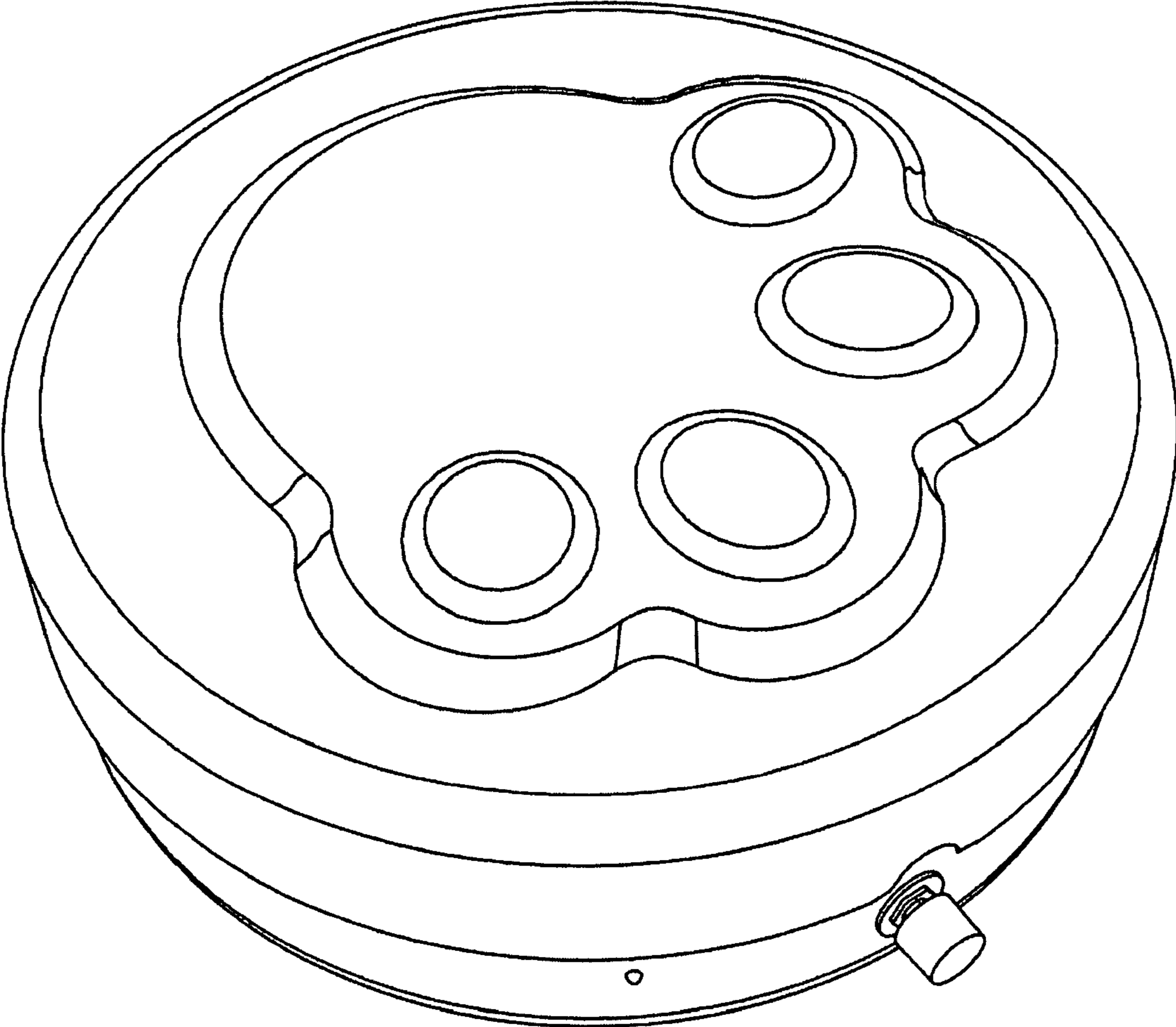


FIG 2

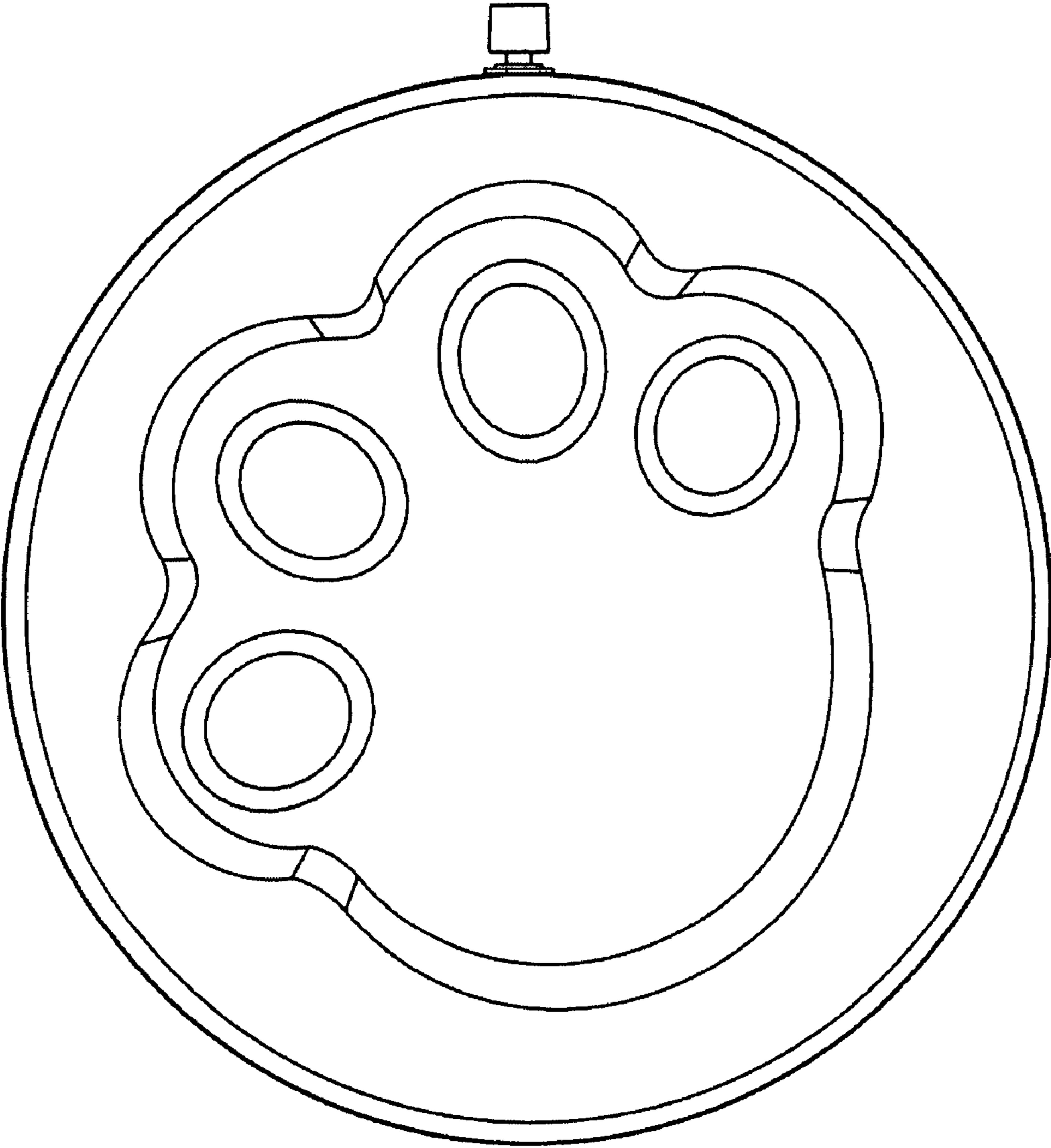


FIG 3

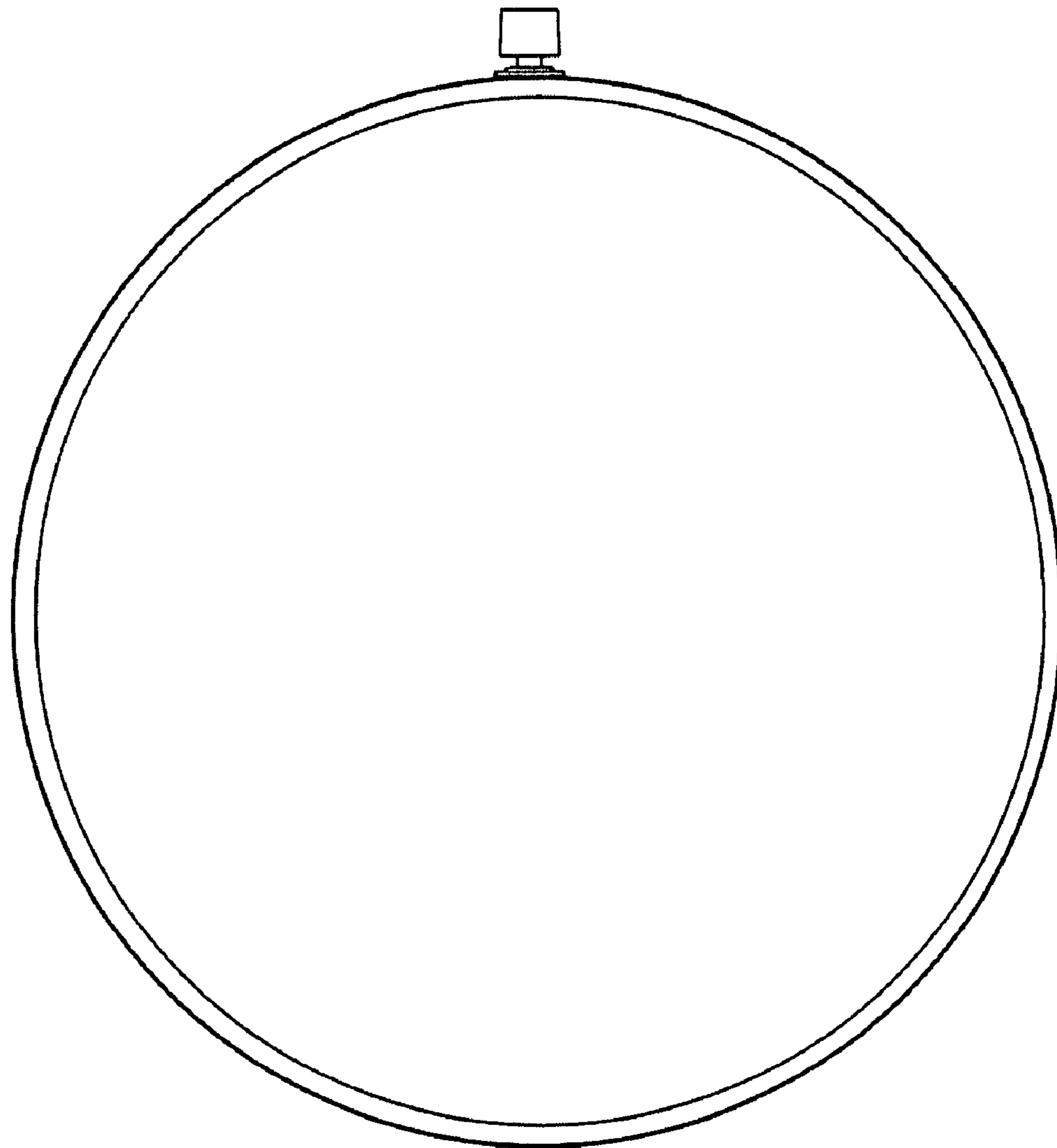


FIG 4

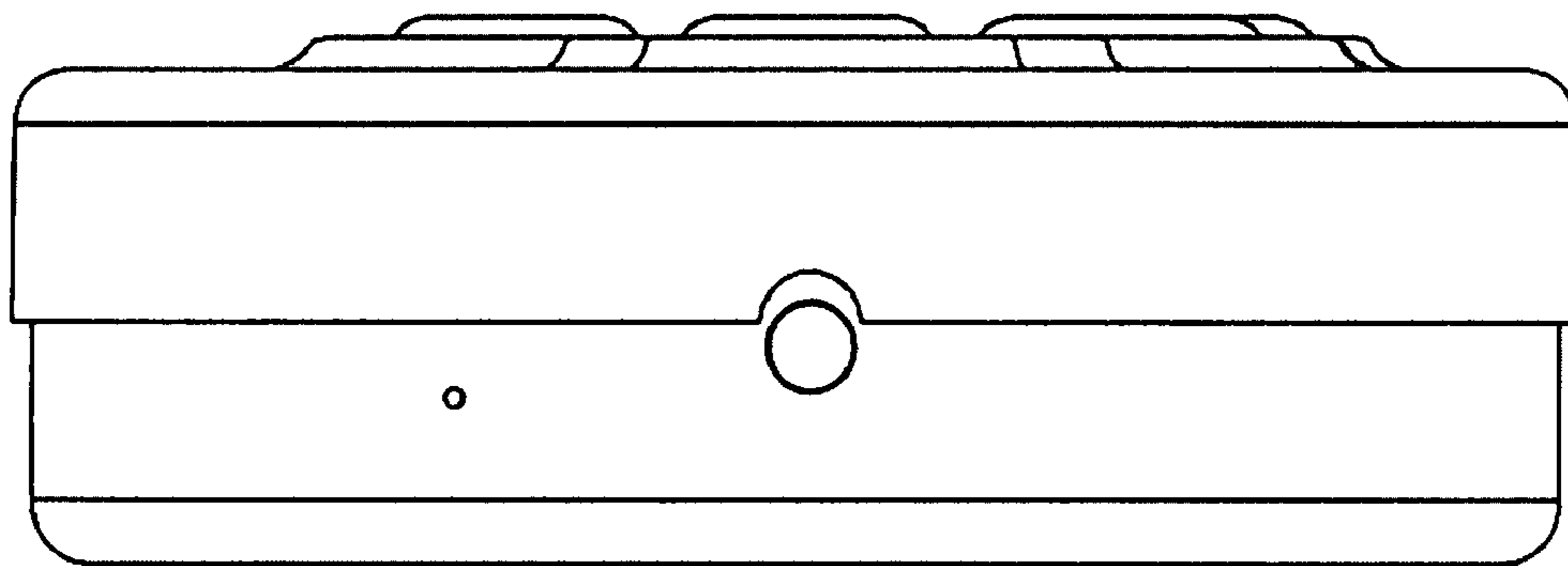


FIG 5

