



US00D591910S

(12) **United States Design Patent**
Rodriguez

(10) **Patent No.:** **US D591,910 S**

(45) **Date of Patent:** **** May 5, 2009**

(54) **WILDFIRE EXTINGUISHING SYSTEM**

(76) **Inventor:** **Rolando Rodriguez**, 3411 SW. 24th St.,
Miami, FL (US) 33145

(**) **Term:** **14 Years**

(21) **Appl. No.:** **29/320,283**

(22) **Filed:** **Jun. 24, 2008**

(51) **LOC (9) Cl.** **29-01**

(52) **U.S. Cl.** **D29/125**

(58) **Field of Classification Search** D29/125-130;
D6/561, 441, 446, 447, 553; 169/51; 312/242,
312/138.1, 245, 247, 139

See application file for complete search history.

(56) **References Cited**

U.S. PATENT DOCUMENTS

D60,511 S *	3/1922	Boyce	D29/126
1,925,228 A *	9/1933	Bronander	169/26
D127,577 S *	6/1941	Bishop	D29/126
D155,456 S *	10/1949	Seaberg	D29/126
D164,346 S *	8/1951	Allen	D29/126
D171,531 S *	2/1954	Cramer	D9/600
3,653,240 A	4/1972	Huthsing, Jr.		
4,344,489 A	8/1982	Bonaparte		
5,507,350 A	4/1996	Primlani		
5,992,528 A	11/1999	Parkinson et al.		

D438,914 S 3/2001 O'Rourke et al.

6,695,068 B2 2/2004 Woodall et al.

2005/0022657 A1 2/2005 O'Dwyer

2006/0162941 A1 7/2006 Sridharan et al.

* cited by examiner

Primary Examiner—Raphael Barkai

Assistant Examiner—Randall H Gholson

(57) **CLAIM**

The ornamental design for a wildfire extinguishing system, as shown.

DESCRIPTION

FIG. 1 is a perspective view of a wildfire extinguishing system;

FIG. 2 is a first side view (second side view is mirror image of first side view) thereof;

FIG. 3 is a front view thereof;

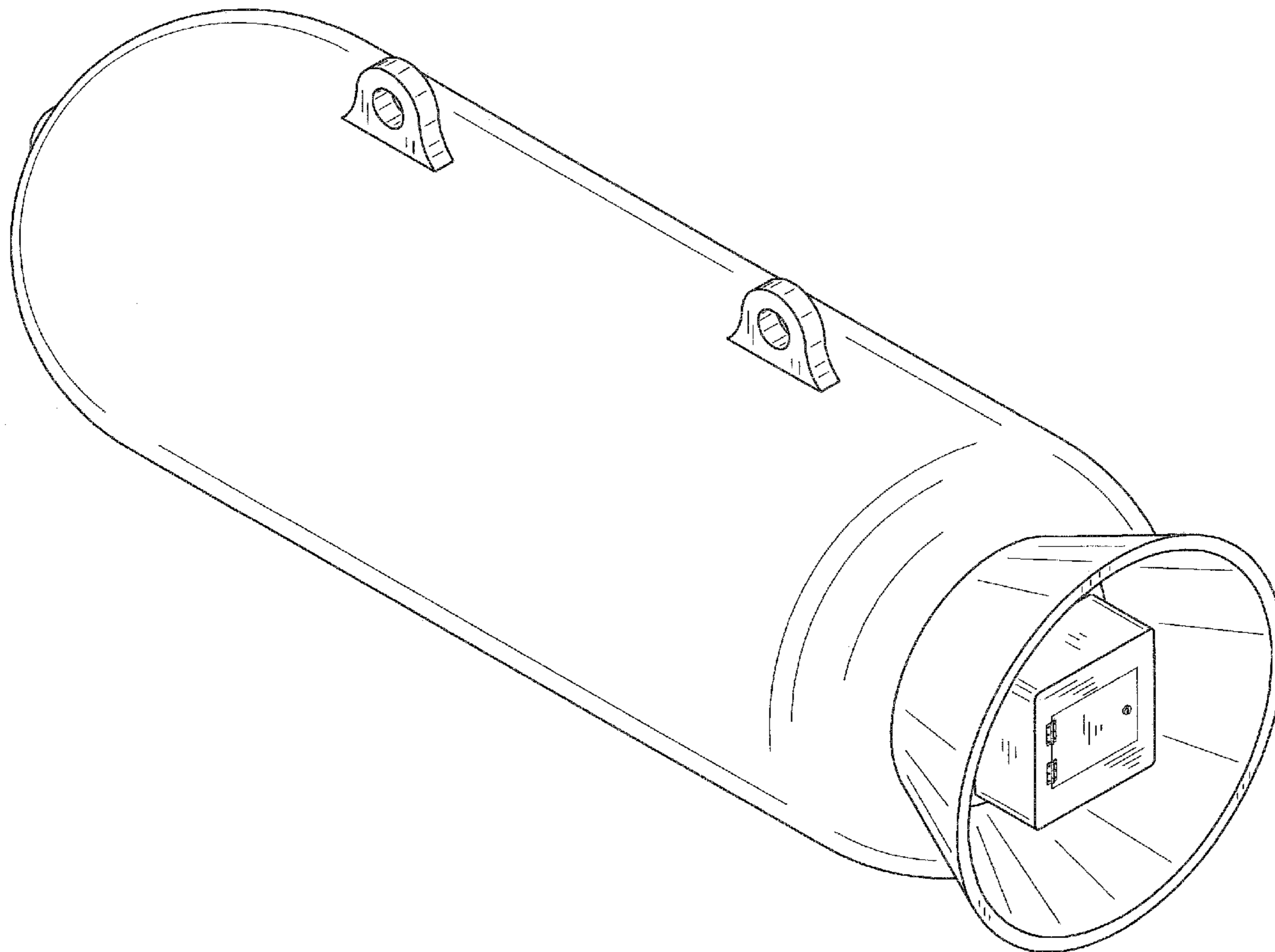
FIG. 4 is a back view thereof;

FIG. 5 is a top view thereof; and,

FIG. 6 is a bottom view thereof.

The broken lines shown on the top of the wildfire extinguishing system is included for the purpose of illustration and forms no part of the claimed design.

1 Claim, 5 Drawing Sheets



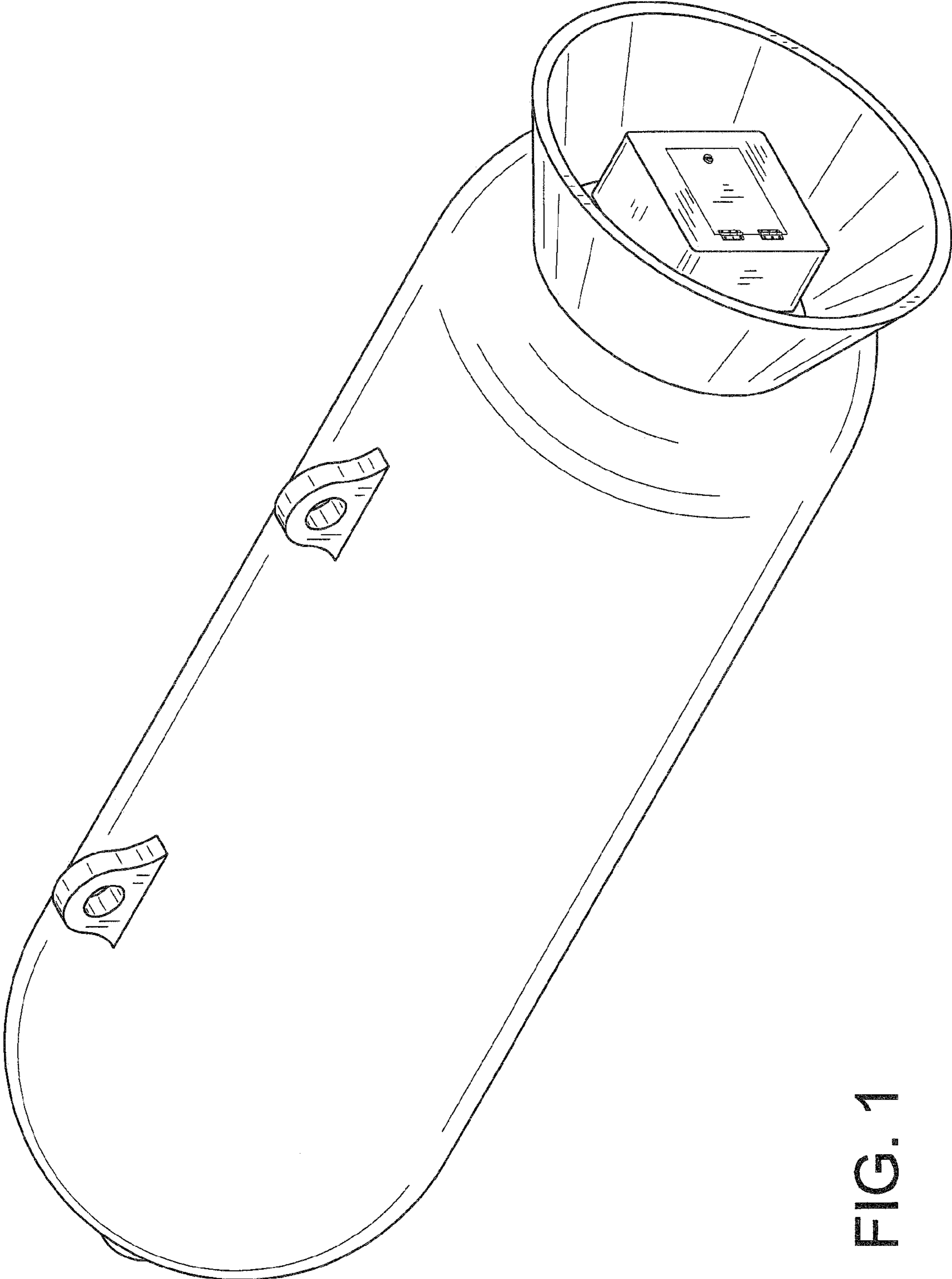


FIG. 1

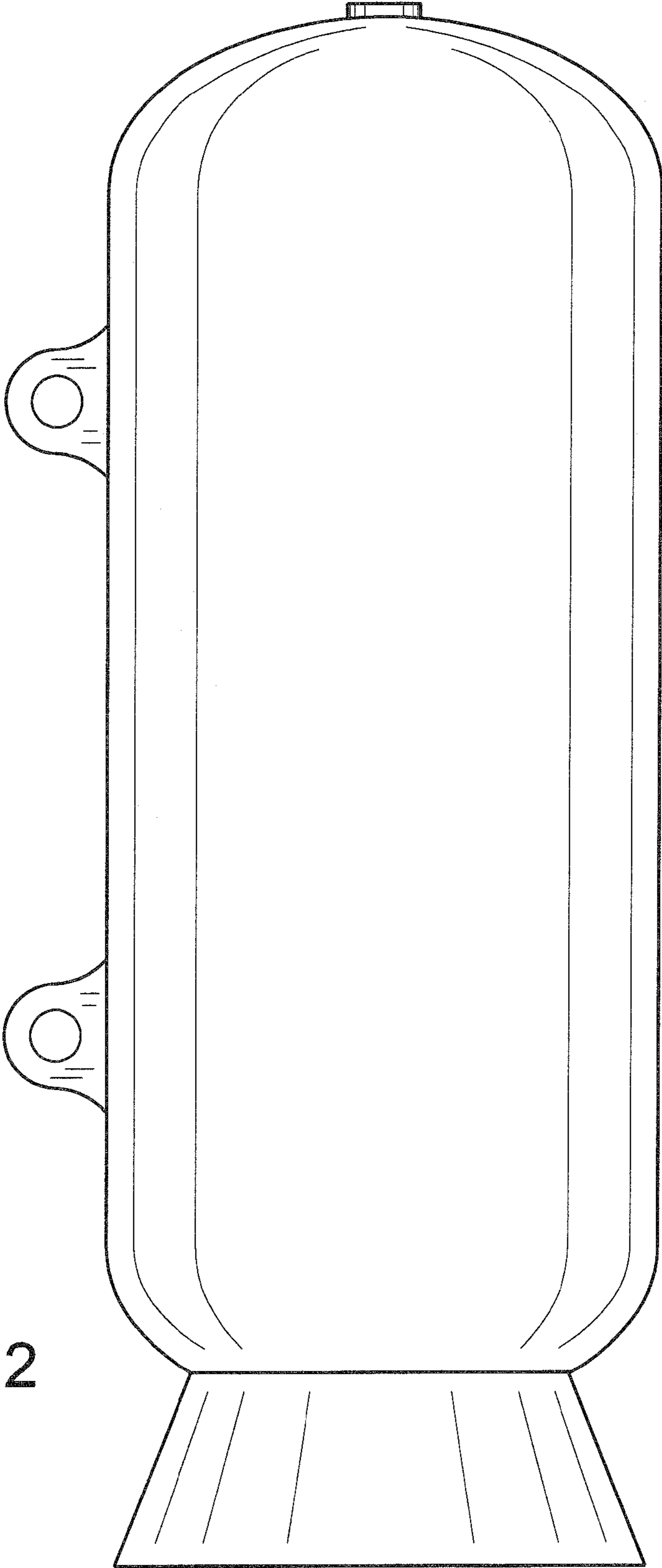


FIG. 2

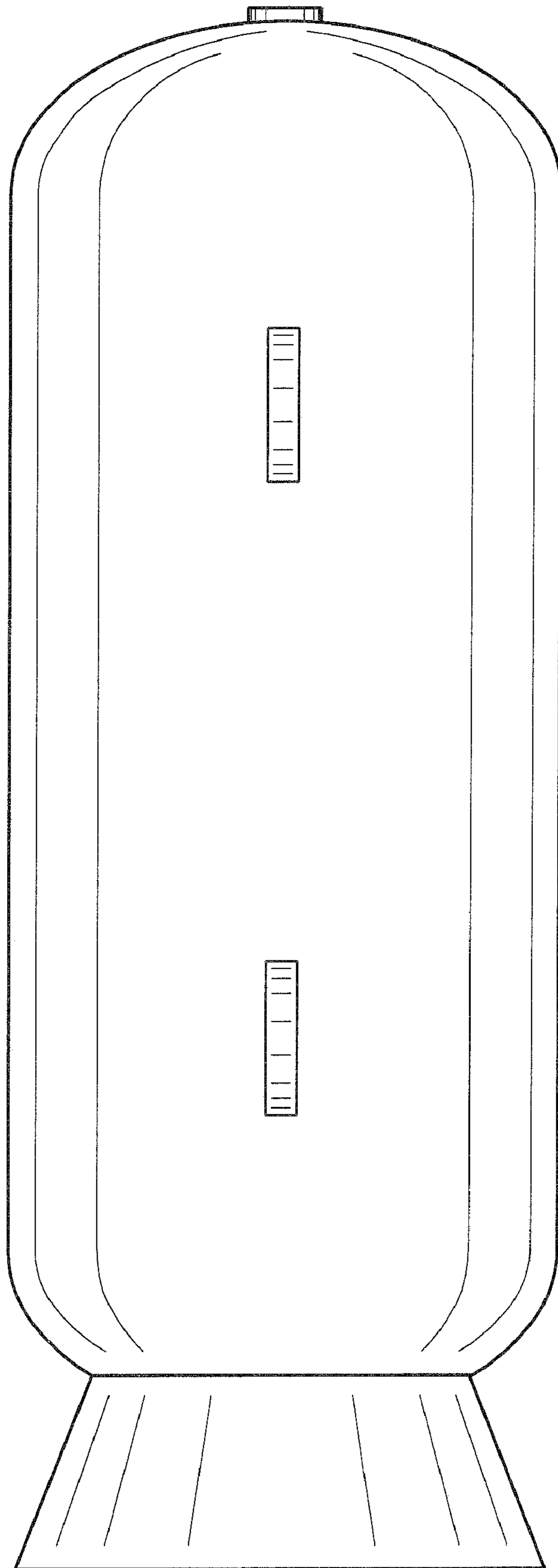


FIG. 3

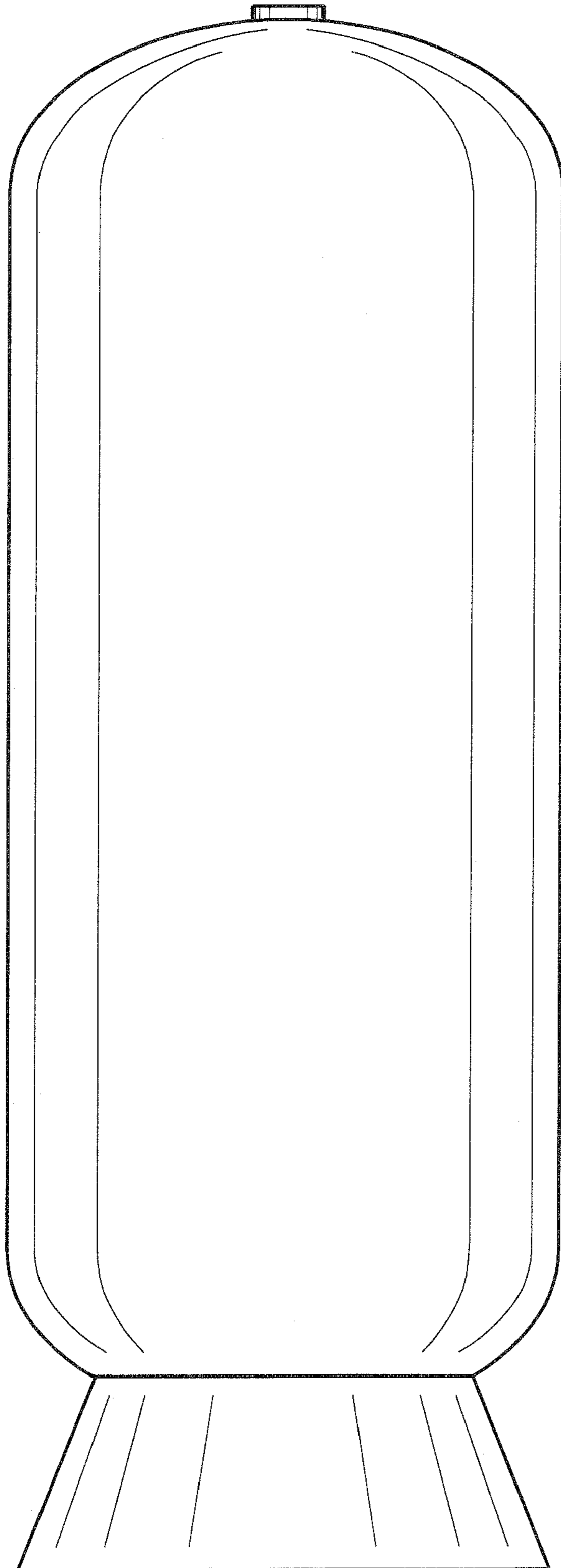


FIG. 4

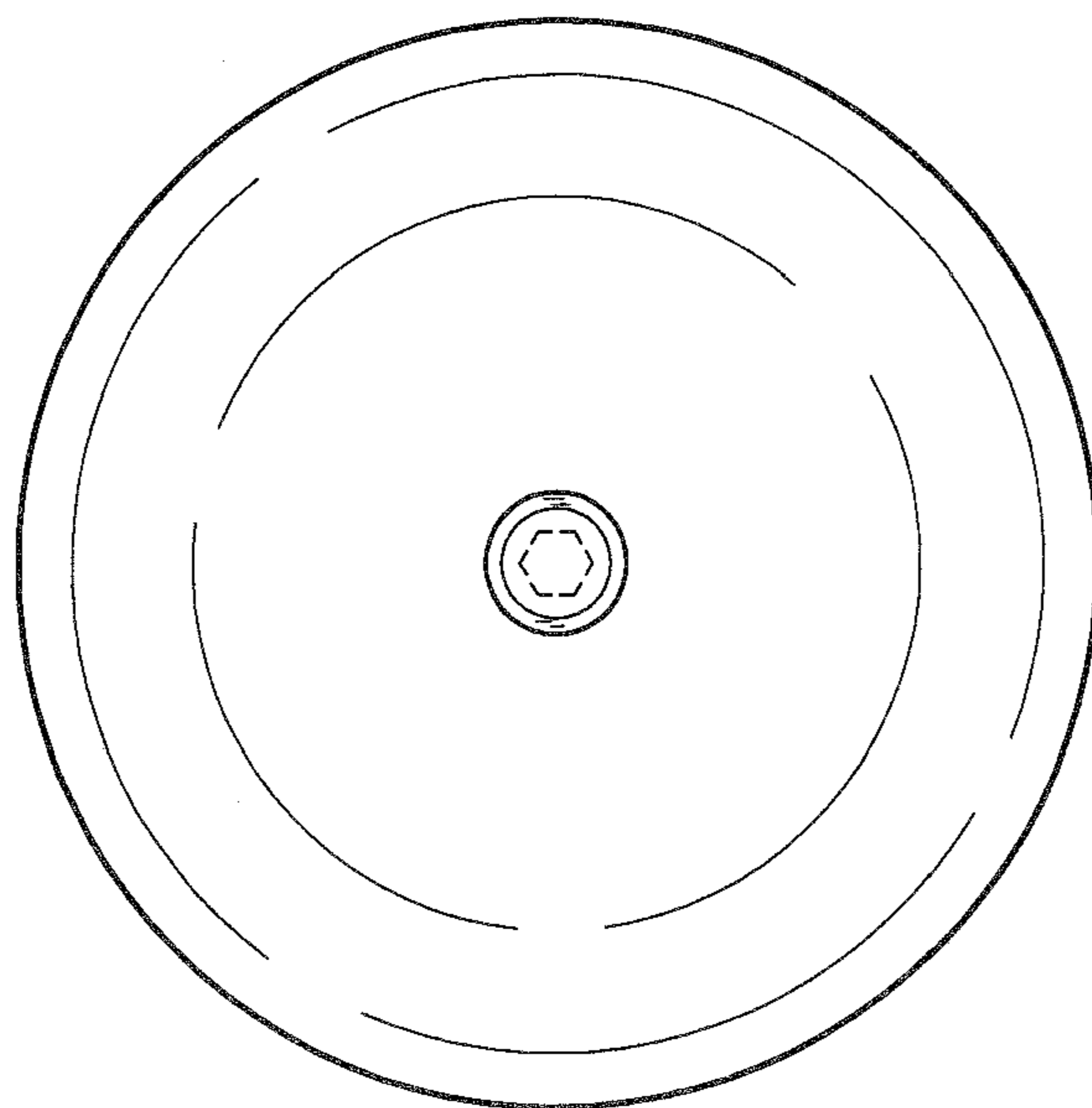


FIG. 5

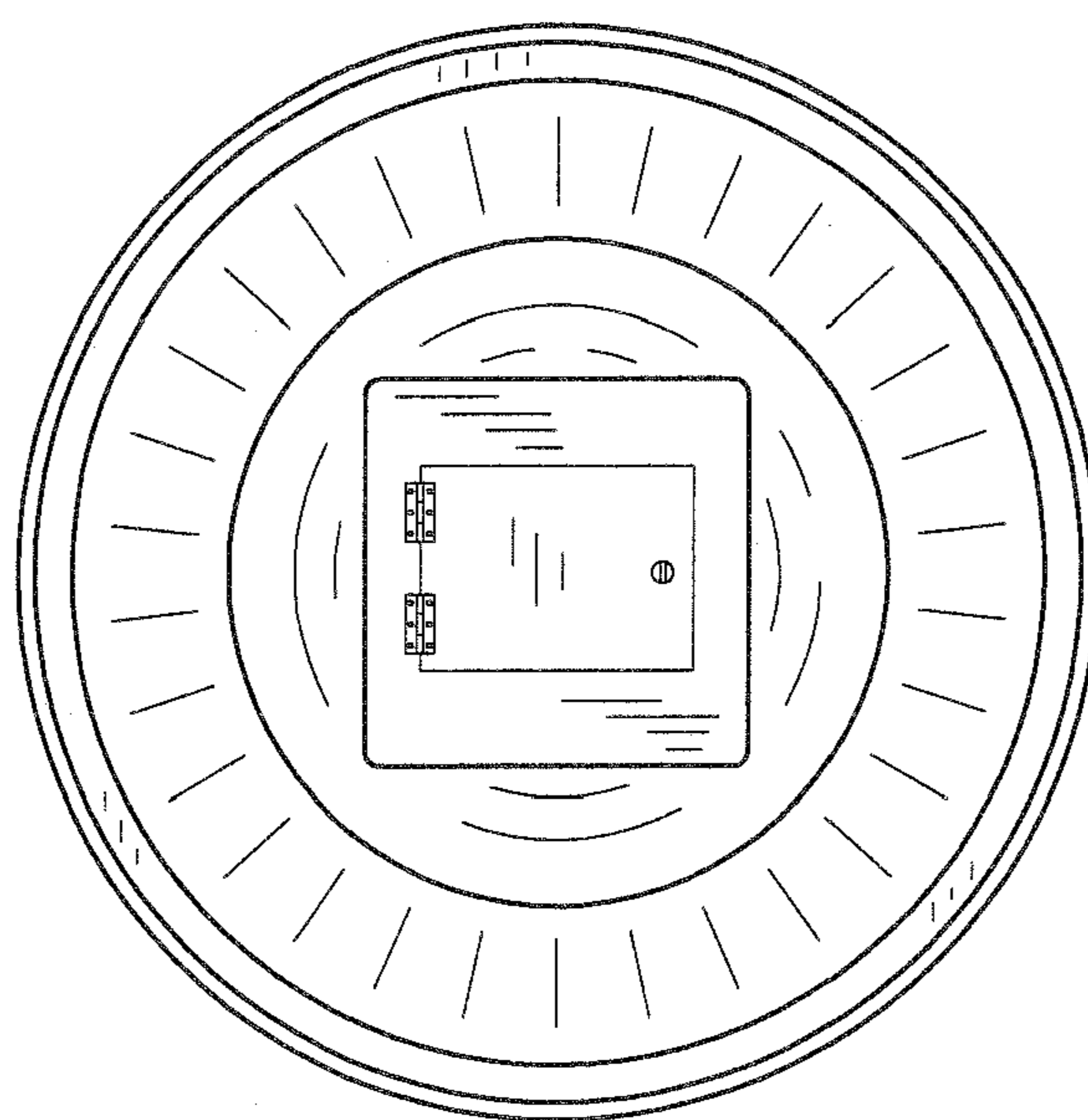


FIG. 6