

US00D591909S

(12) **United States Design Patent**  
**Damkjaer**

(10) **Patent No.:** **US D591,909 S**

(45) **Date of Patent:** **\*\* May 5, 2009**

(54) **MASCARA CONTAINER**

(75) Inventor: **Helle Damkjaer**, Paris (FR)

(73) Assignee: **Guerlain Societe Anonyme**, Paris (FR)

(\*\*) Term: **14 Years**

(21) Appl. No.: **29/284,845**

(22) Filed: **Sep. 17, 2007**

(30) **Foreign Application Priority Data**

Mar. 19, 2007 (EM) ..... 000691175-0002

(51) **LOC (9) Cl.** ..... **28-03**

(52) **U.S. Cl.** ..... **D28/76**

(58) **Field of Classification Search** ..... 206/581,  
206/823, 385; D28/76-90; D9/500, 502-504;  
401/126-130, 202; 132/218, 286-288, 293-318,  
132/320

See application file for complete search history.

(56) **References Cited**

**U.S. PATENT DOCUMENTS**

D373,219 S \* 8/1996 Gavin ..... D28/76

D406,921 S \* 3/1999 Roeder ..... D28/7

D415,859 S \* 10/1999 Gobe ..... D28/76

D431,324 S \* 9/2000 Hirato et al. .... D28/76

D566,336 S \* 4/2008 Althoff et al. .... D28/76

\* cited by examiner

*Primary Examiner*—Jennifer Rivard

(74) *Attorney, Agent, or Firm*—Stites & Harbison PLLC;  
Douglas E. Jackson

(57) **CLAIM**

The ornamental design for a mascara container, as shown and described.

**DESCRIPTION**

FIG. 1 is front view of a mascara container according to the present invention.

FIG. 2 is a top view thereof.

FIG. 3 is a right side view thereof.

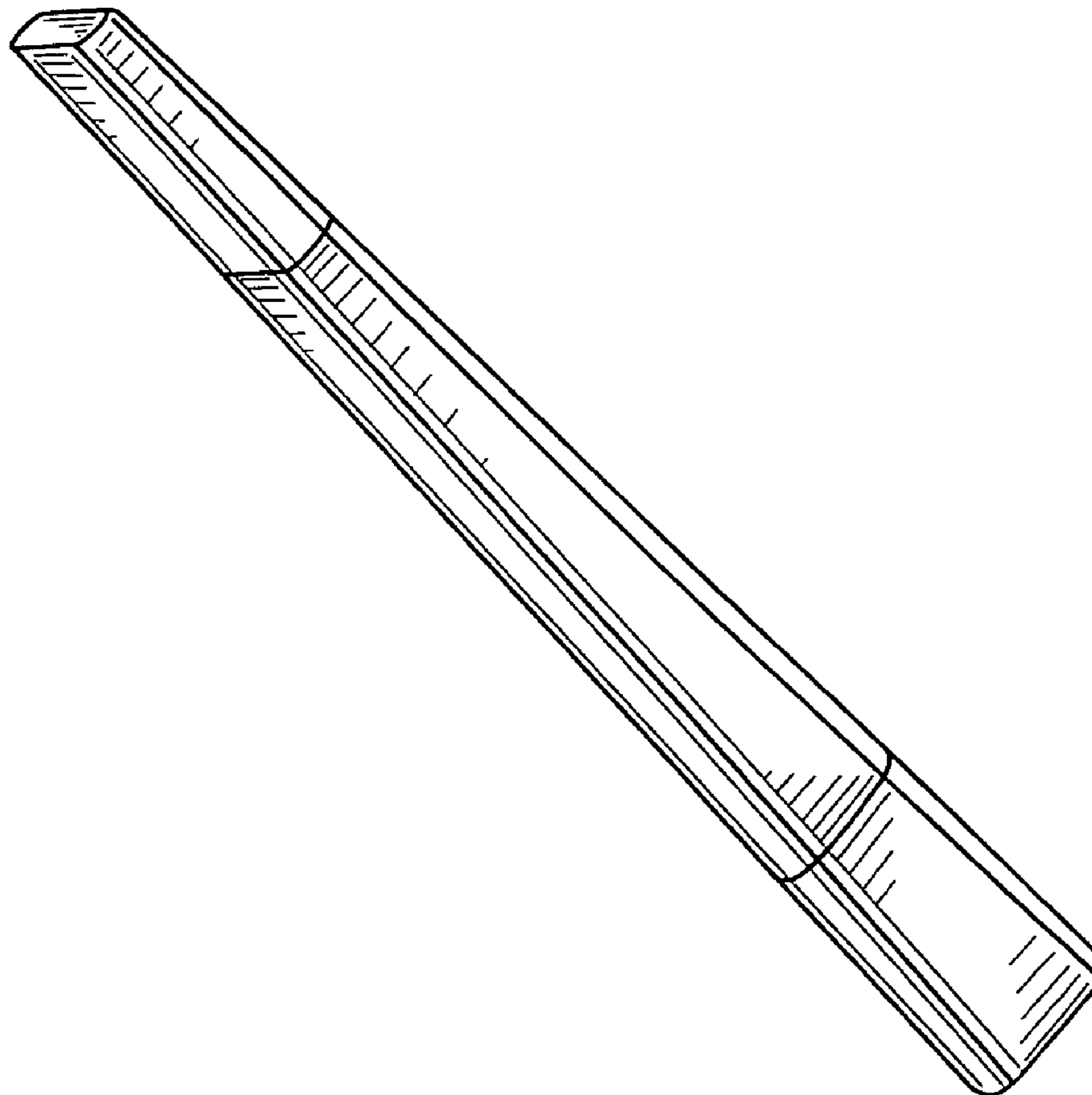
FIG. 4 is a left side view thereof.

FIG. 5 is a rear view thereof.

FIG. 6 is bottom view thereof; and,

FIG. 7 is a perspective front, bottom and right side view thereof.

**1 Claim, 2 Drawing Sheets**



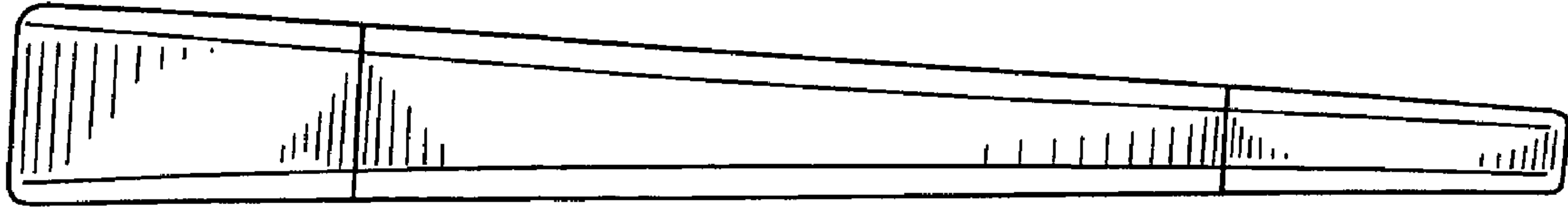


FIG. 1

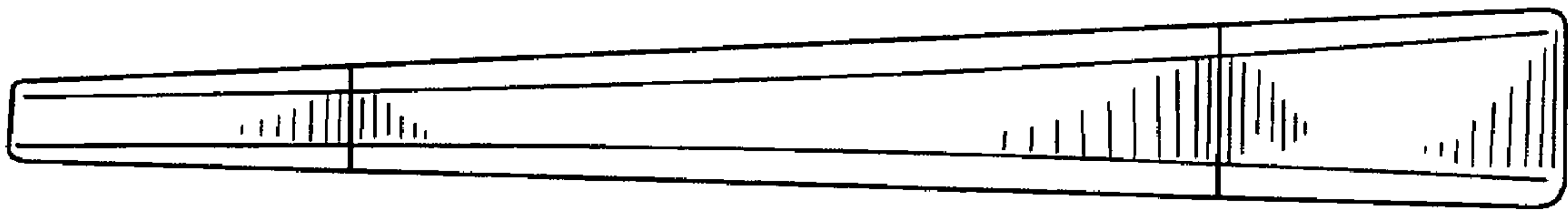


FIG. 2

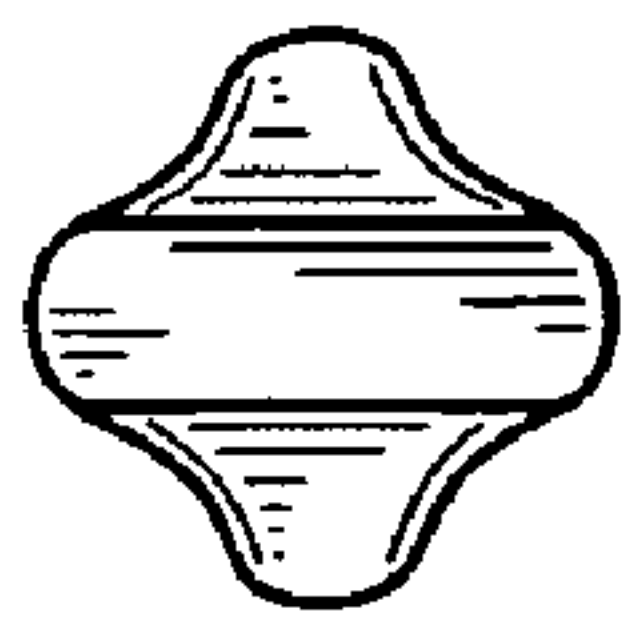


FIG. 3

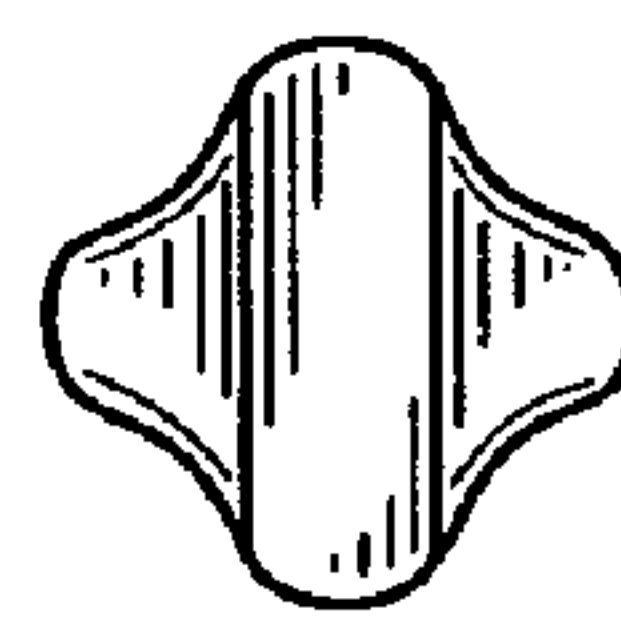


FIG. 4

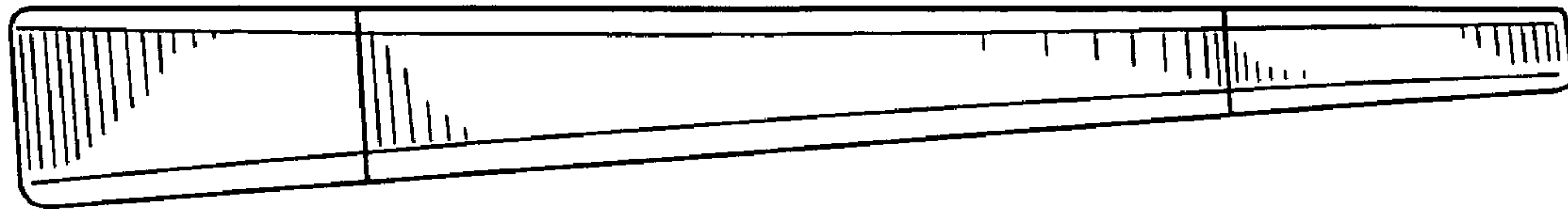


FIG. 5

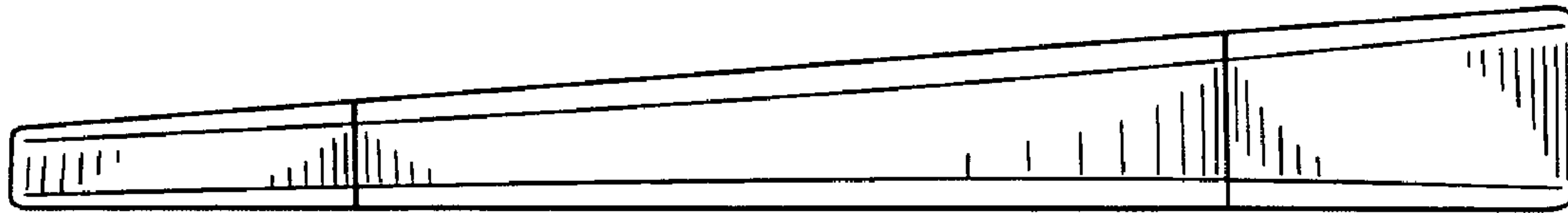


FIG. 6

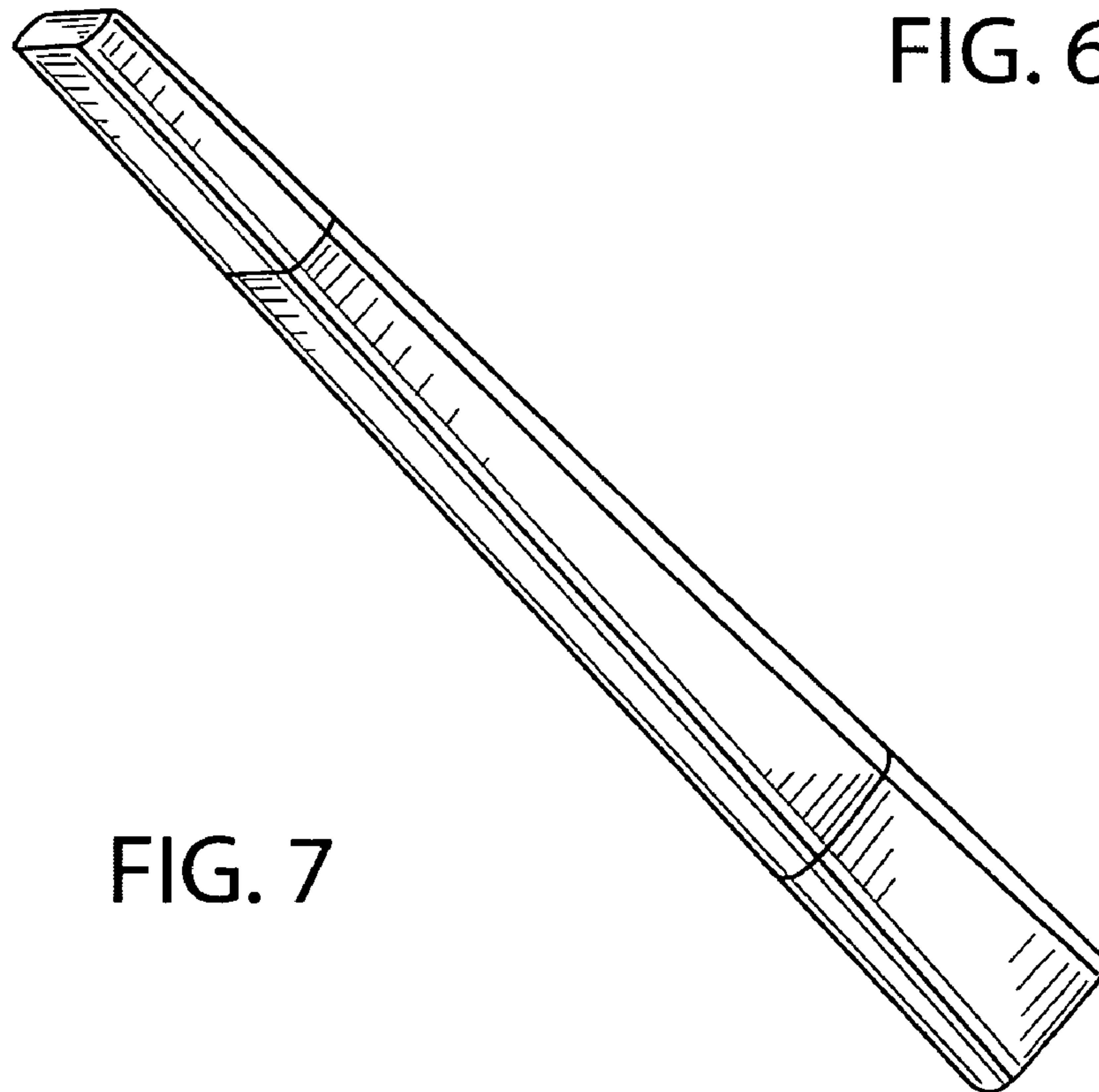


FIG. 7