



US00D591908S

(12) **United States Design Patent**
Pacio

(10) **Patent No.:** **US D591,908 S**

(45) **Date of Patent:** **** May 5, 2009**

(54) **NAIL CLIPPERS**

D546,502 S * 7/2007 Lund et al. D28/60
D562,499 S * 2/2008 Park D28/60

(76) Inventor: **Edward Pacio**, 26931 Deerweed Trail,
Calabasas Hills, CA (US) 91301

* cited by examiner

(**) Term: **14 Years**

Primary Examiner—Jennifer Rivard

(74) *Attorney, Agent, or Firm*—Kelly, Lowry & Kelley, LLP

(21) Appl. No.: **29/322,920**

(57) **CLAIM**

(22) Filed: **Aug. 14, 2008**

The ornamental design for nail clippers, as shown.

(51) **LOC (9) Cl.** **28-03**

DESCRIPTION

(52) **U.S. Cl.** **D28/60**

(58) **Field of Classification Search** 30/26–29,
30/186; D28/56–60; 132/73–75.6

FIG. 1 is a top, front and right-side perspective view of nail
clippers embodying my new design;

FIG. 2 is a front elevational view thereof;

FIG. 3 is a rear elevational view thereof;

FIG. 4 is left-side elevational view thereof;

FIG. 5 is a right-side elevational view thereof;

FIG. 6 is a top plan view thereof; and,

FIG. 7 is a bottom plan view thereof.

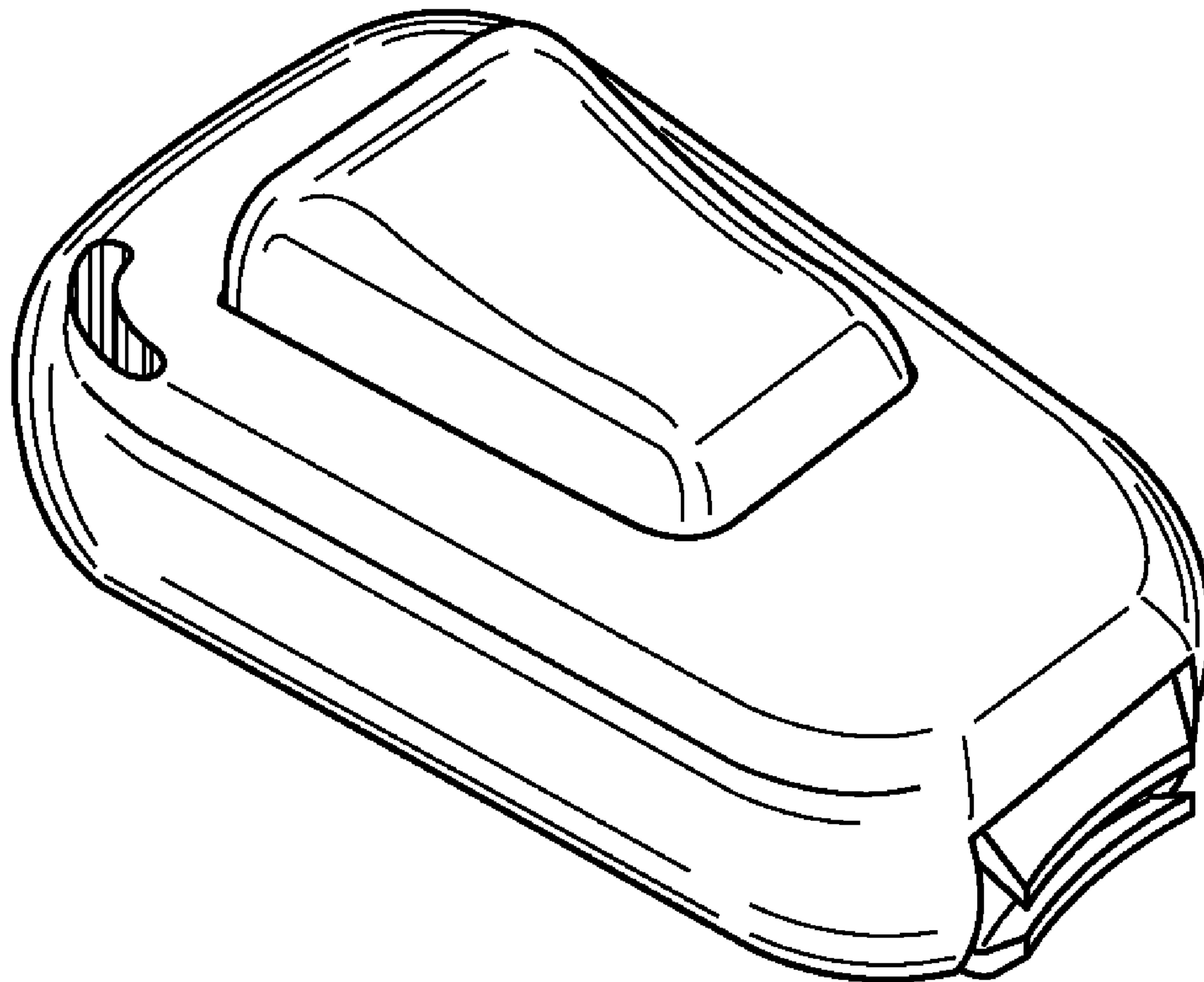
See application file for complete search history.

(56) **References Cited**

U.S. PATENT DOCUMENTS

D345,628 S 3/1994 Pacio
D347,296 S * 5/1994 Adelman D28/60
5,546,658 A * 8/1996 MacLeod et al. 30/28
D403,116 S * 12/1998 Ross D28/60
D523,175 S * 6/2006 Kriser D28/60

1 Claim, 1 Drawing Sheet



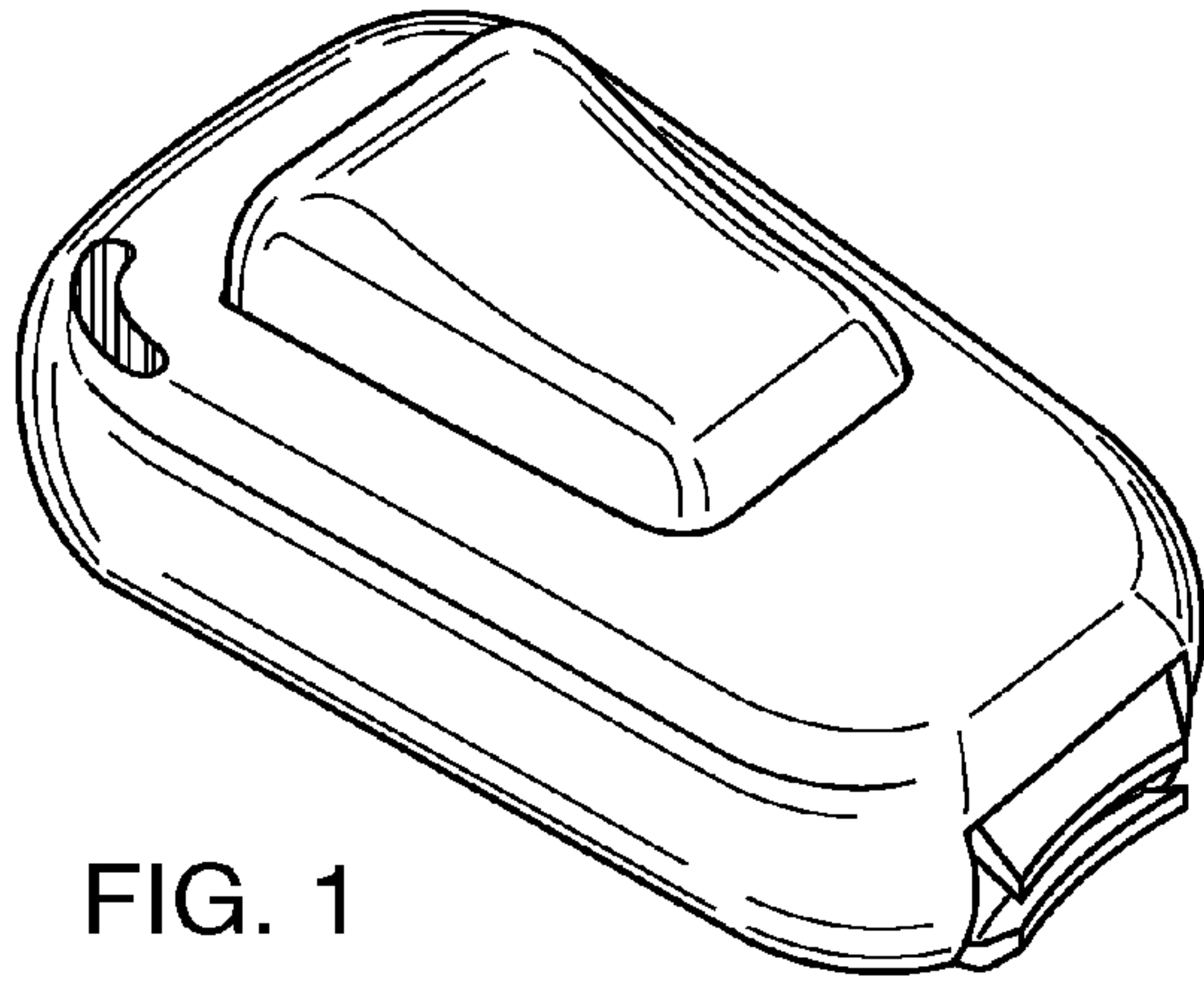


FIG. 1

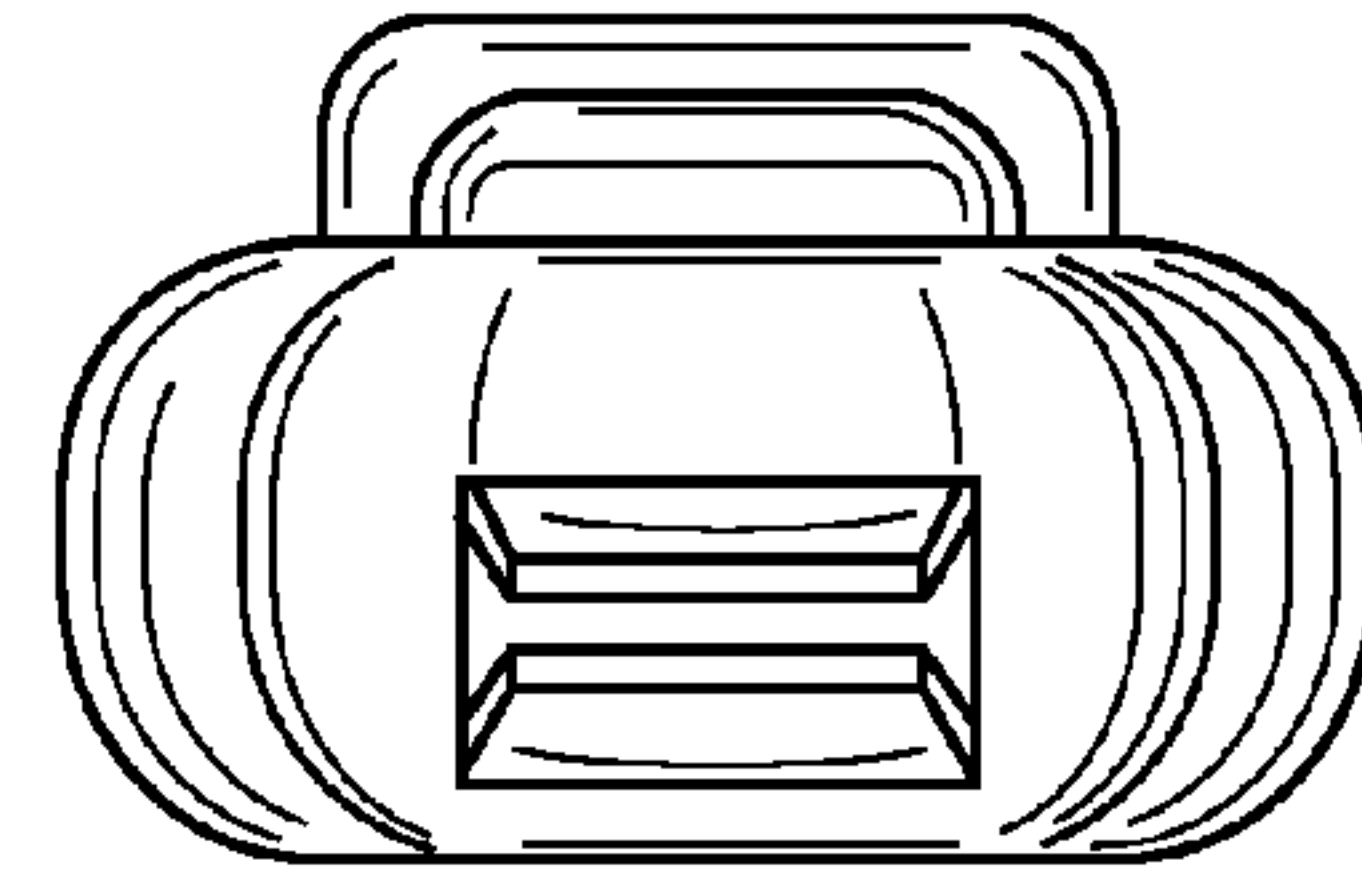


FIG. 2

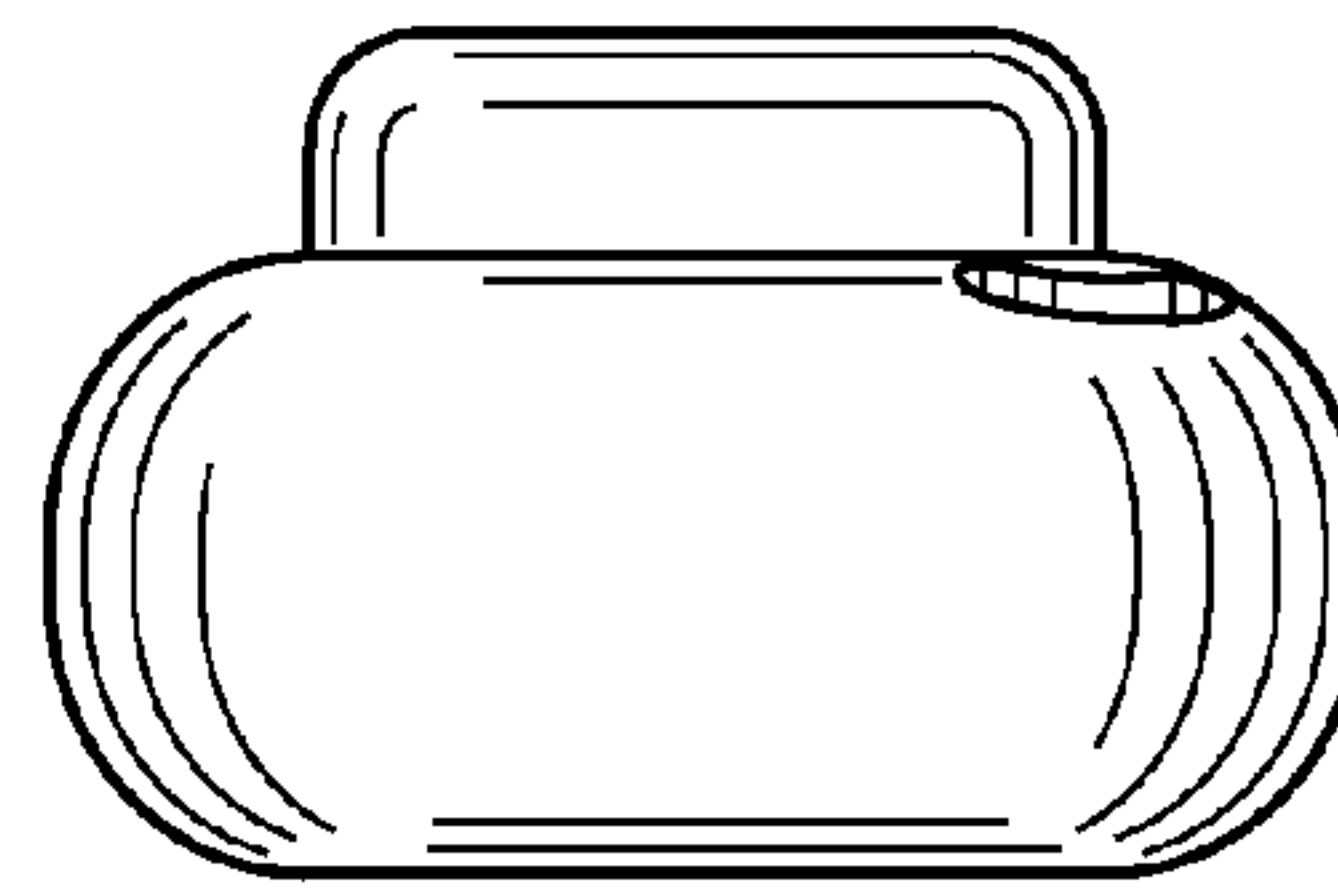


FIG. 3

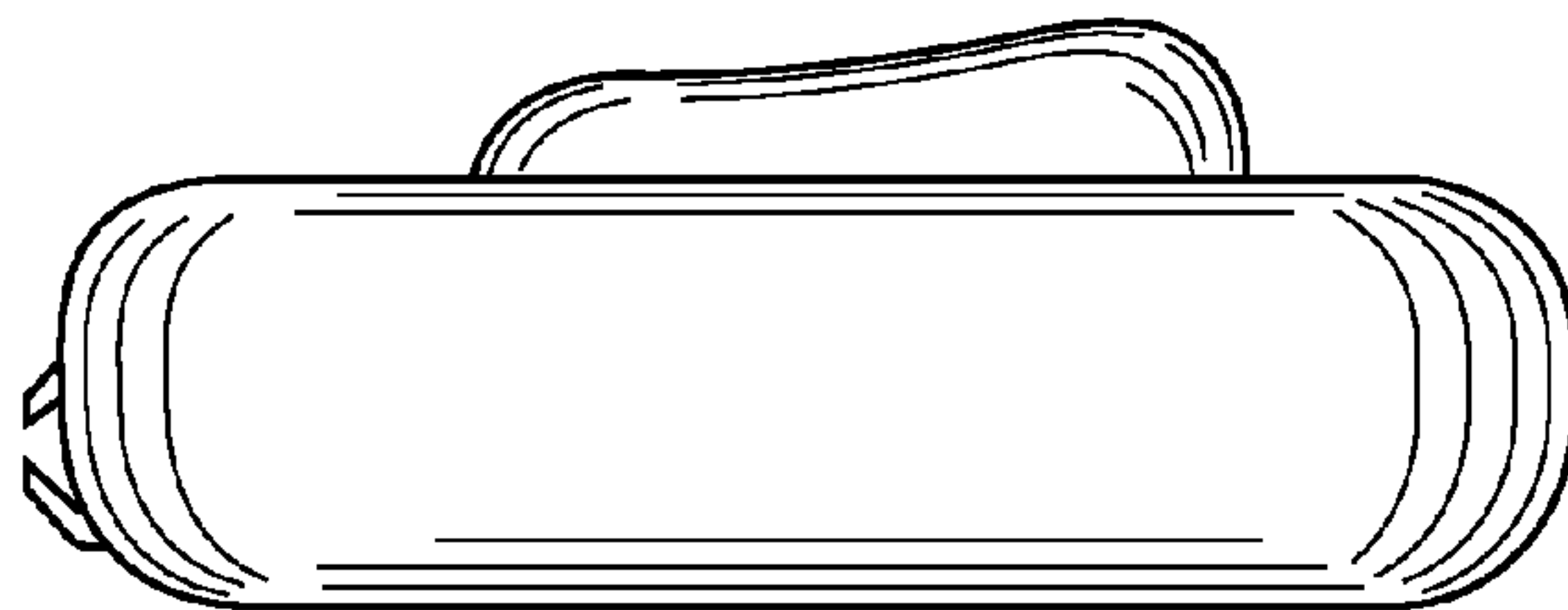


FIG. 4

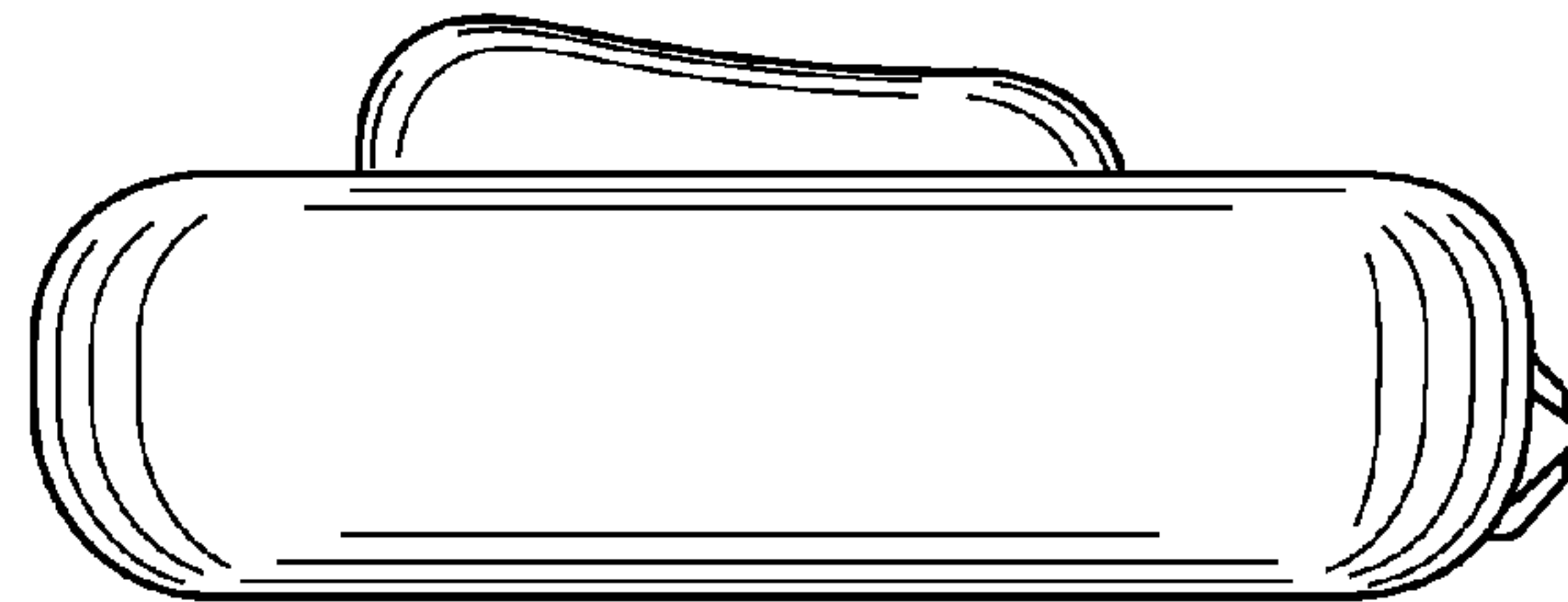


FIG. 5

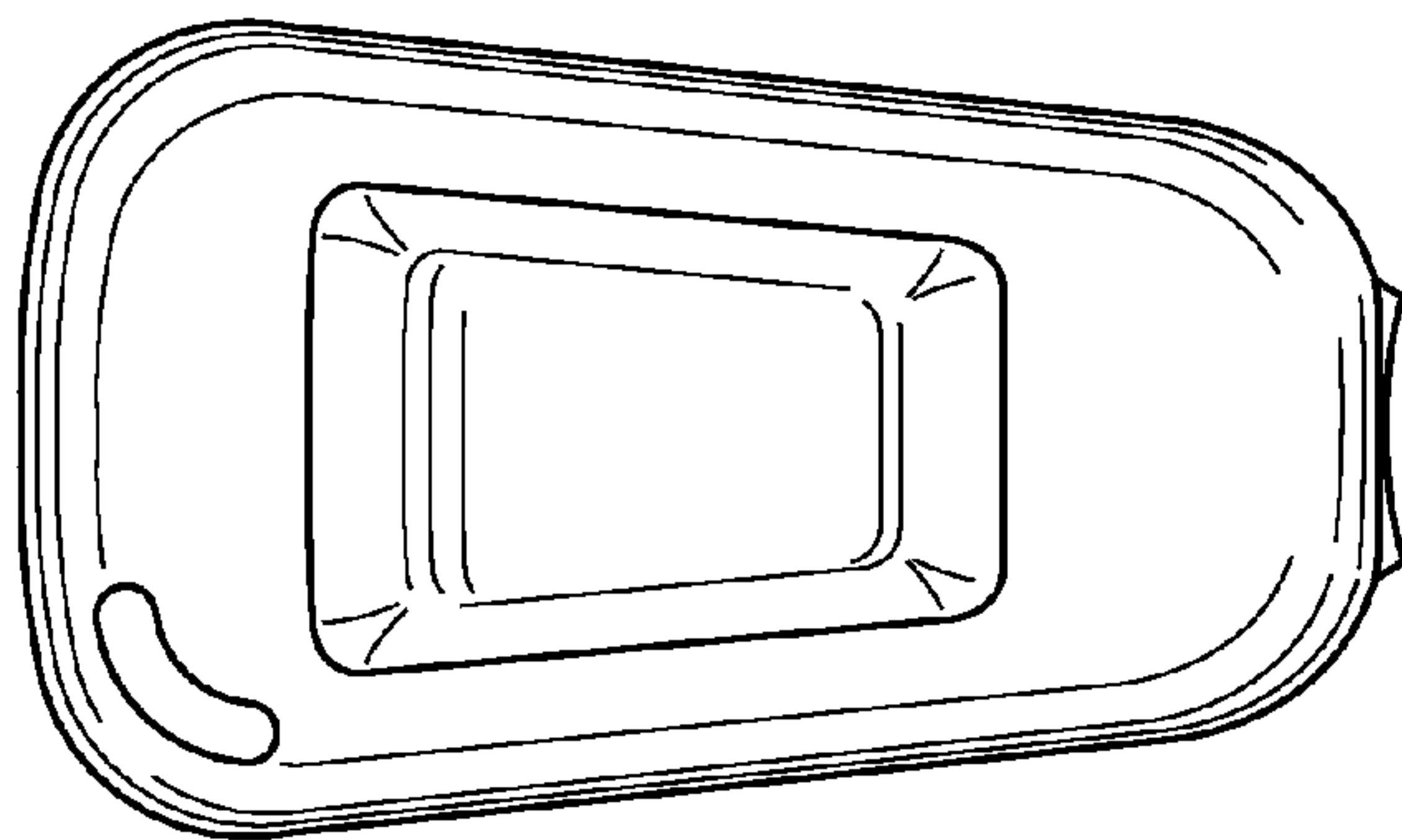


FIG. 6

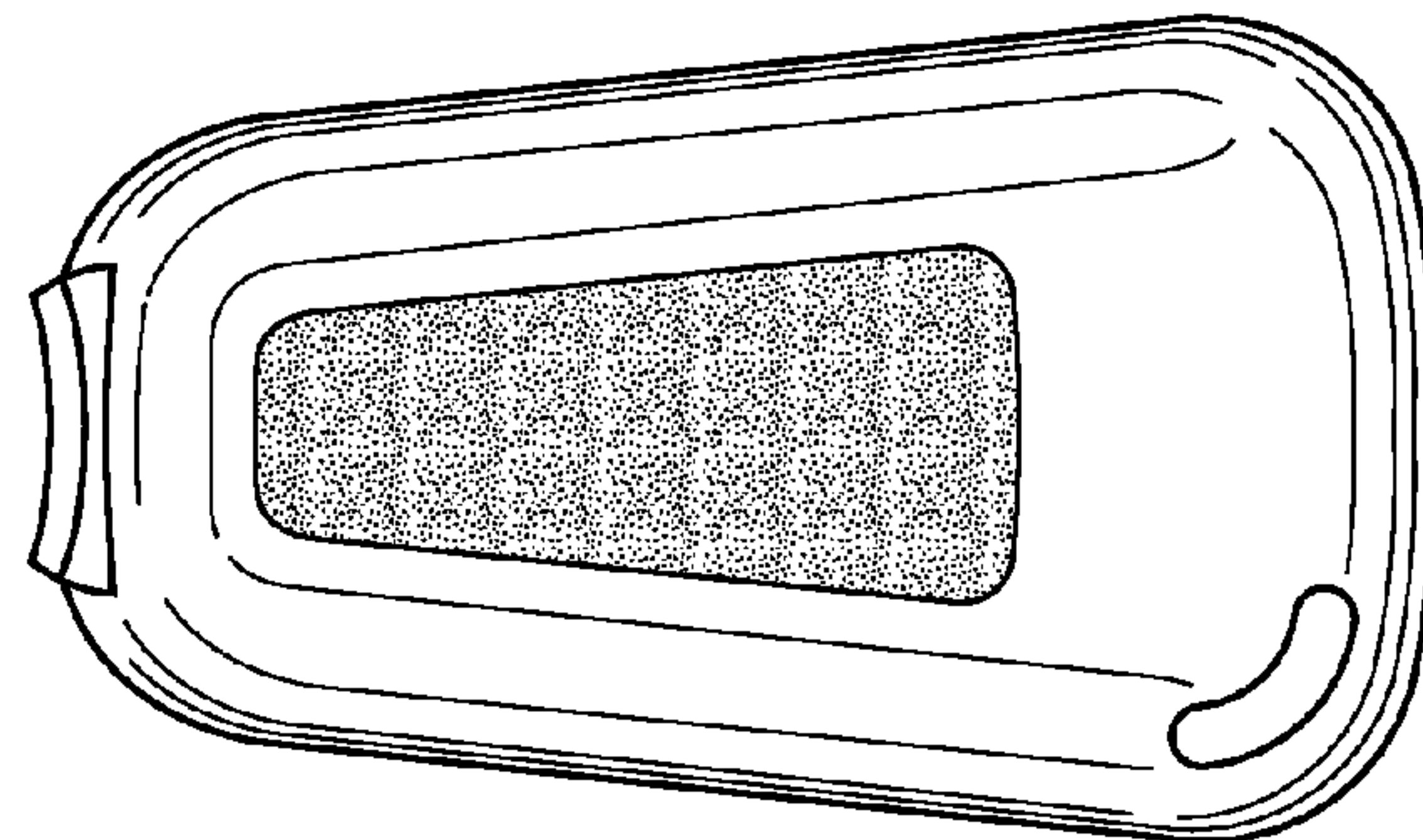


FIG. 7