



US00D591902S

(12) **United States Design Patent**
Bray et al.

(10) **Patent No.:** **US D591,902 S**

(45) **Date of Patent:** **** May 5, 2009**

(54) **SMOKING ARTICLE PACKAGING**

(75) Inventors: **Andrew Jonathan Bray**, Southampton (GB); **Alan Douglas Tearle**, Southampton (GB); **Paul Hodges**, Southampton (GB)

(73) Assignee: **British American Tobacco (Investments) Limited**, London (GB)

(**) Term: **14 Years**

(21) Appl. No.: **29/329,397**

(22) Filed: **Dec. 15, 2008**

Related U.S. Application Data

(62) Division of application No. 29/279,453, filed on May 1, 2007.

(30) **Foreign Application Priority Data**

Nov. 2, 2006 (EM) 000616792-0001

(51) **LOC (9) Cl.** **27-06**

(52) **U.S. Cl.** **D27/189**

(58) **Field of Classification Search** D27/185-192;
206/236-241, 242-276, 831; 229/160.1,
229/120.11, 120.03; D9/423, 430-432

See application file for complete search history.

(56) **References Cited**

U.S. PATENT DOCUMENTS

4,294,353	A *	10/1981	Focke et al.	206/273
4,961,496	A *	10/1990	Focke et al.	206/258
5,344,008	A *	9/1994	DeBlasio et al.	206/256
6,467,614	B1 *	10/2002	Tallier et al.	206/264
D492,815	S *	7/2004	Bray et al.	D27/189
D495,824	S *	9/2004	Bray et al.	D27/189
6,786,331	B1 *	9/2004	Zucchini	206/232
D519,673	S *	4/2006	Bray et al.	D27/189

D520,182	S *	5/2006	Bray et al.	D27/189
D521,186	S *	5/2006	Shen	D27/189
D537,561	S *	2/2007	Counts et al.	D27/189
D539,474	S *	3/2007	Counts et al.	D27/189
D555,284	S *	11/2007	Fath	D27/189
7,331,451	B2 *	2/2008	Focke et al.	206/264
2005/0155877	A1 *	7/2005	Pham	206/242
2006/0091025	A1 *	5/2006	Focke et al.	206/271
2008/0029411	A1 *	2/2008	Polloni et al.	206/268
2008/0047852	A1 *	2/2008	Ghini et al.	206/268

* cited by examiner

Primary Examiner—Jennifer Rivard

(74) *Attorney, Agent, or Firm*—Charles Sherman; Middleton Reutlinger

(57) **CLAIM**

The ornamental design for smoking article packaging, as shown and described.

DESCRIPTION

FIG. 1 is a front perspective view of the design of the present invention in a closed position;

FIG. 2 is a bottom view of the design in a closed position;

FIG. 3 is a front perspective view of the design in an open position;

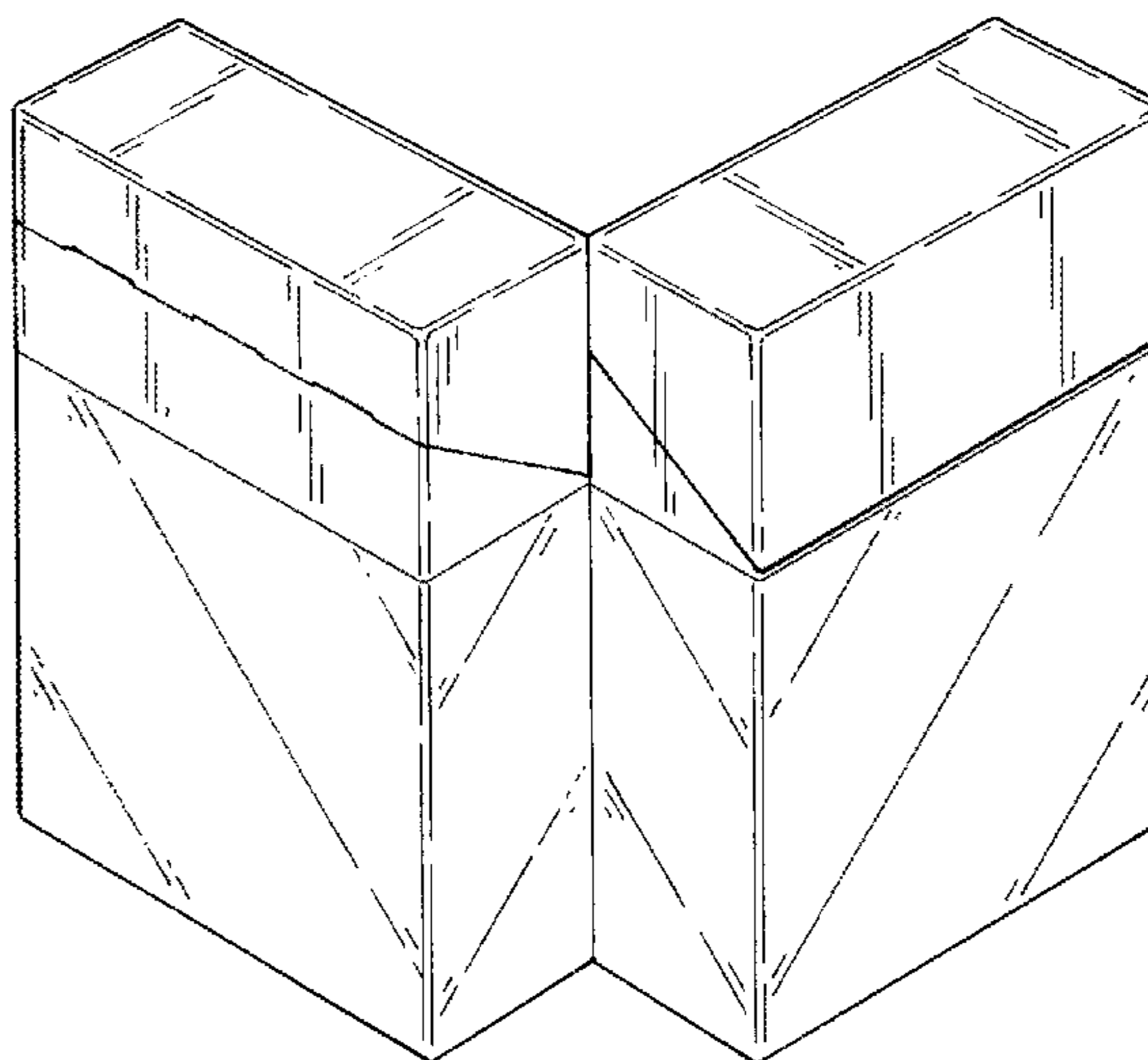
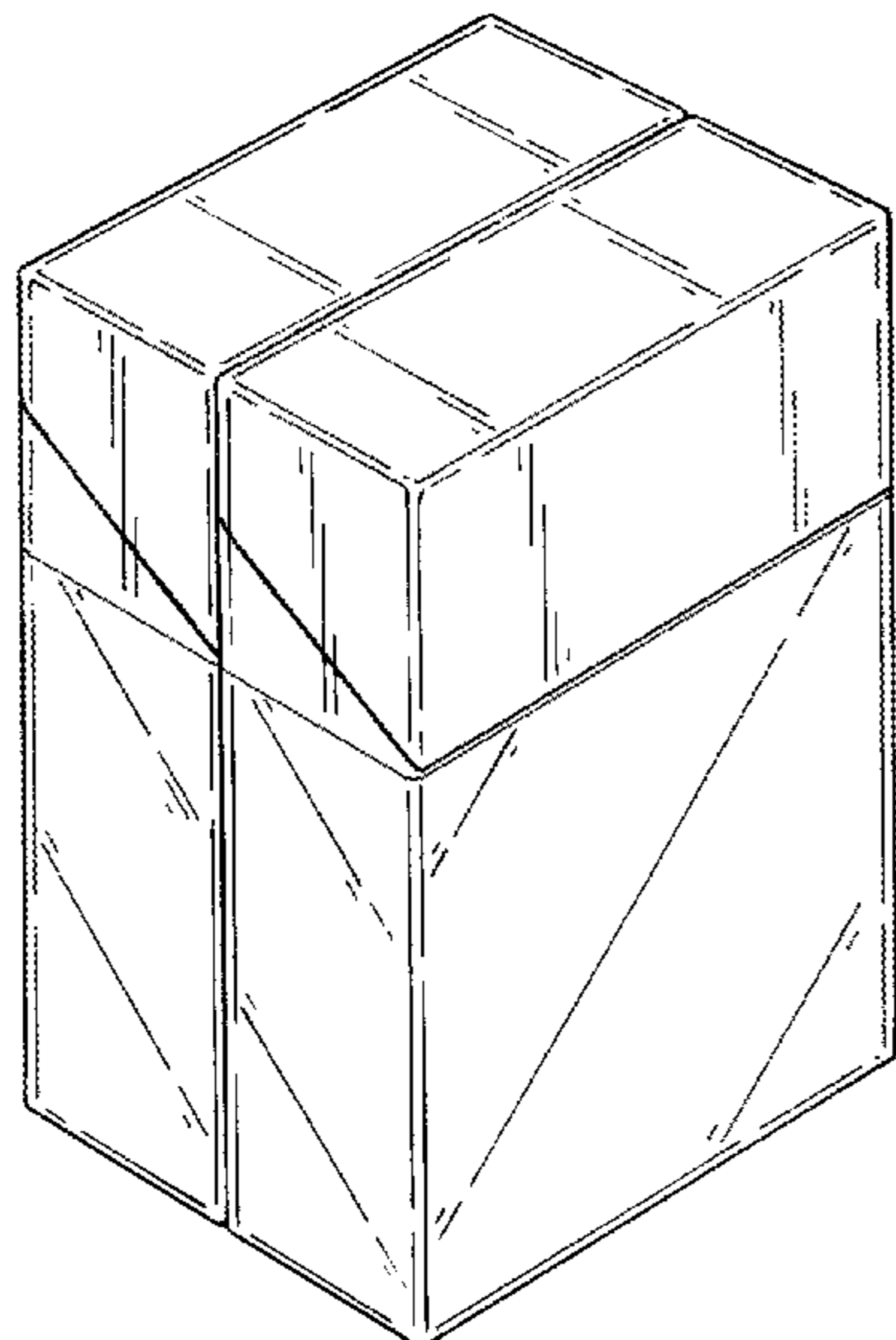
FIG. 4 is a rear perspective view of the embodiment of the design in an open position;

FIG. 5 is a front perspective view of another embodiment of the design of the invention in a closed position;

FIG. 6 is a front perspective view of the embodiment of the design of FIG. 5 in an open position; and,

FIG. 7 is a rear perspective view of the embodiment of the design of FIG. 5 in an open position. The bottom view being of the second embodiment being identical to the bottom view of the embodiment of FIG. 1.

1 Claim, 4 Drawing Sheets



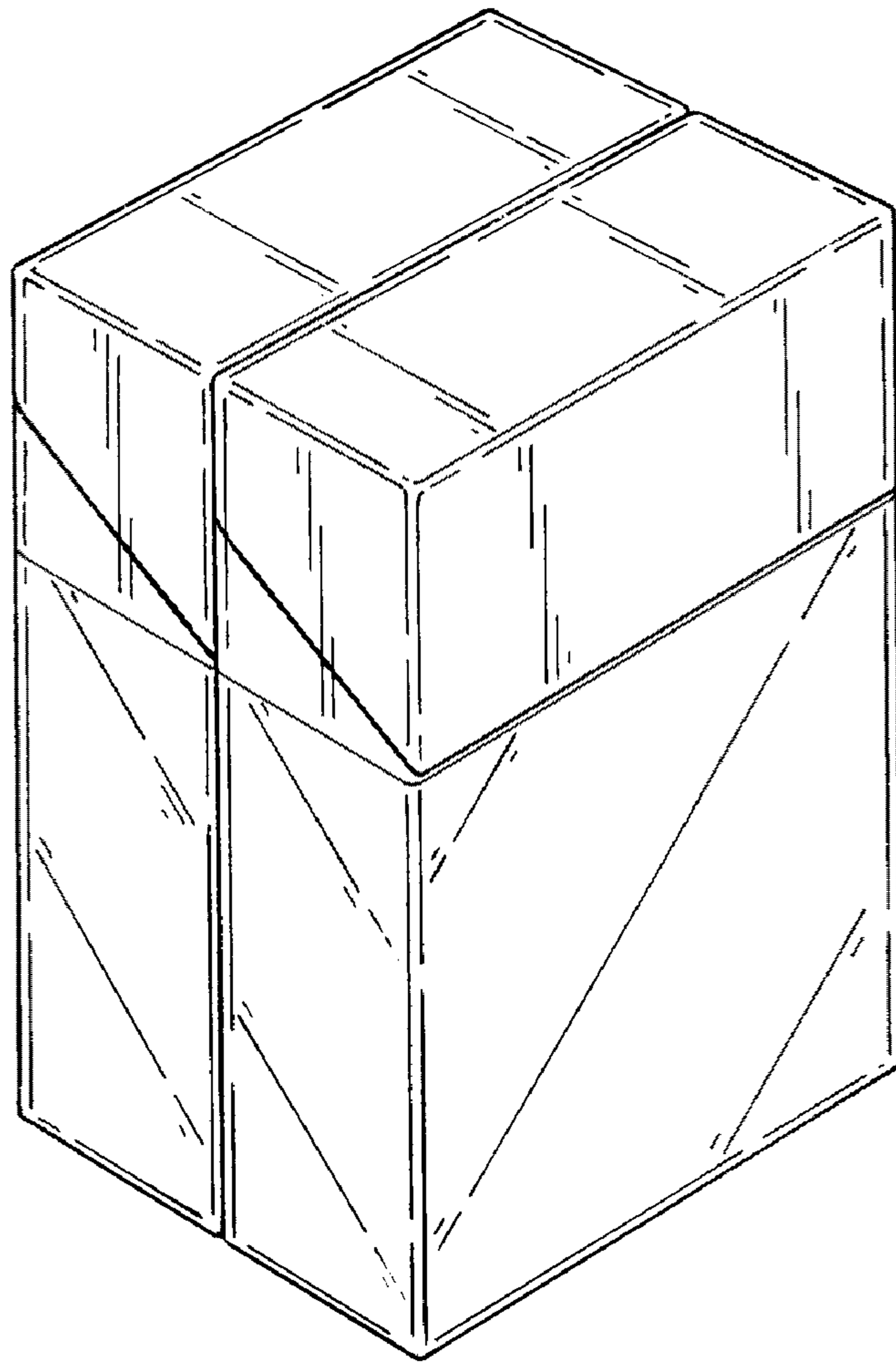


FIGURE 1

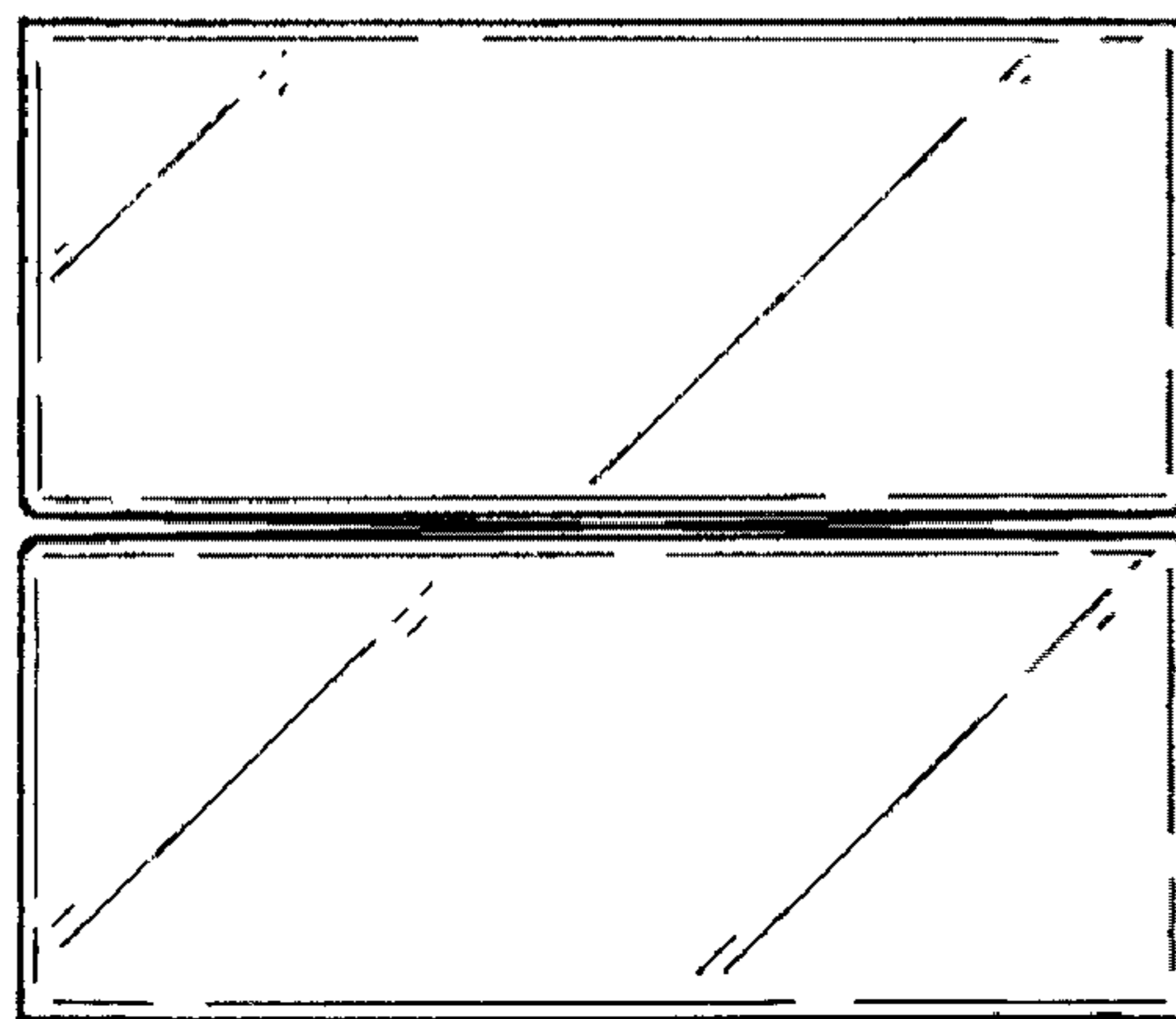


FIGURE 2

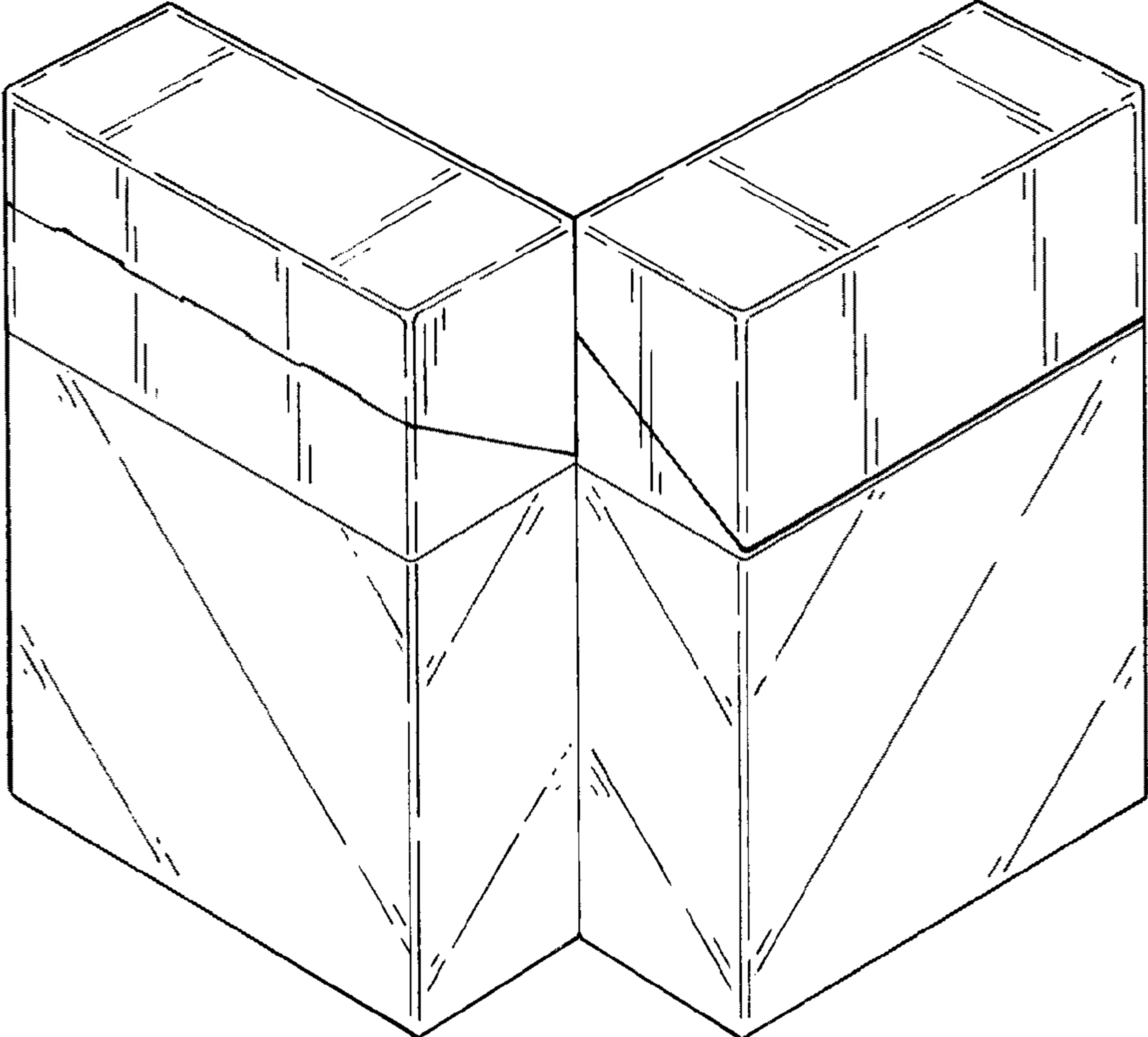


FIGURE 3

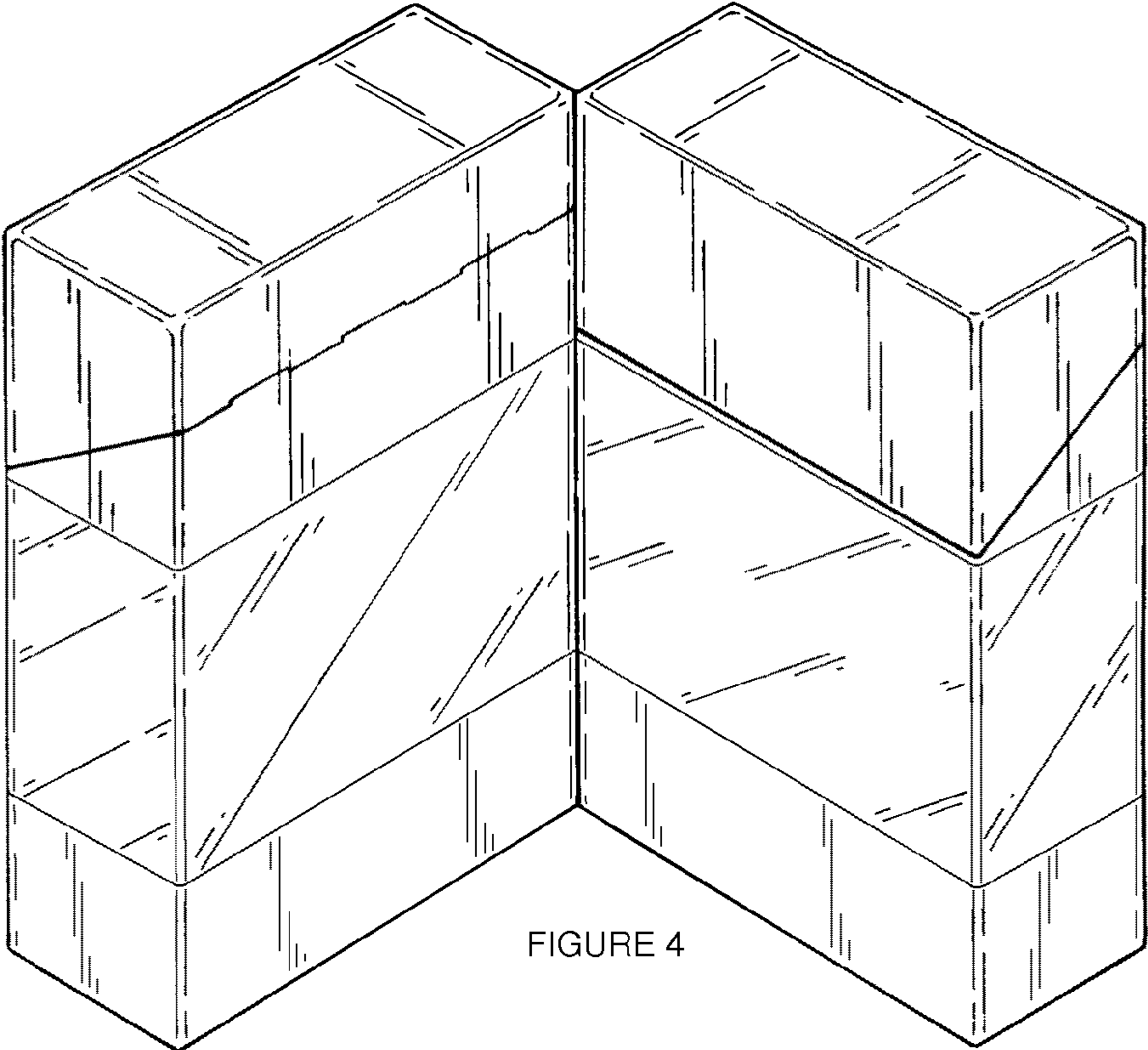


FIGURE 4

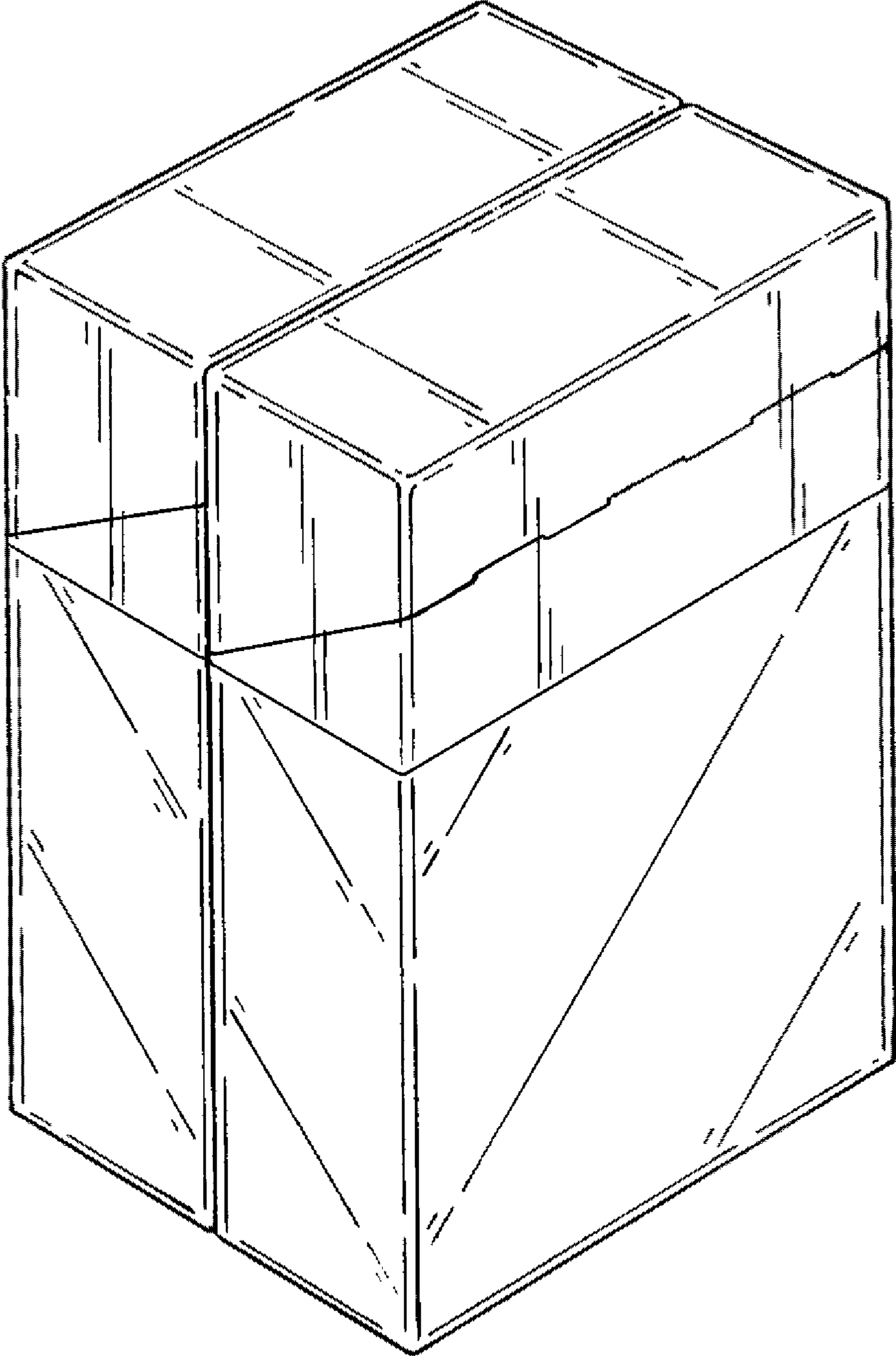


FIGURE 5

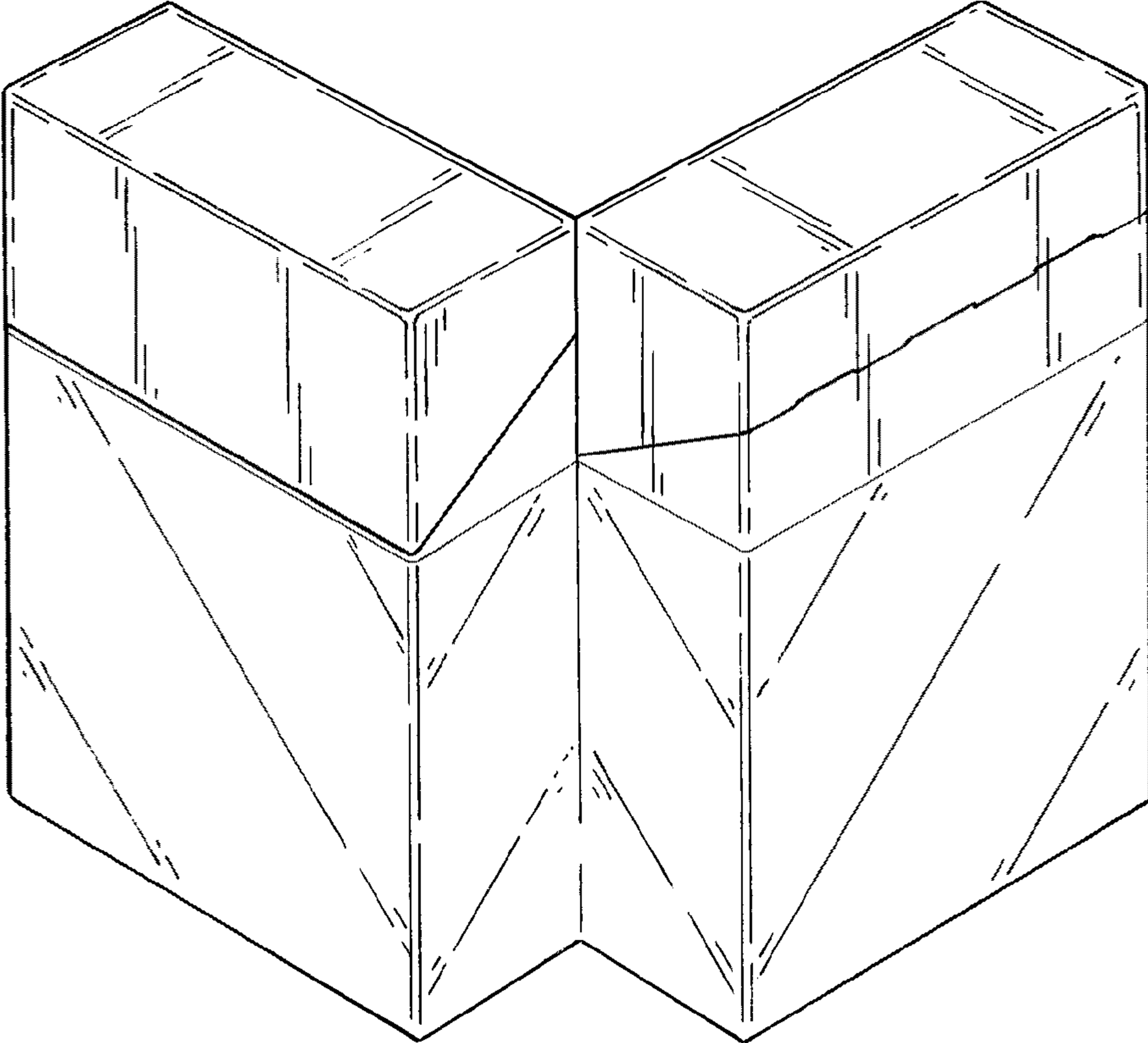


FIGURE 6

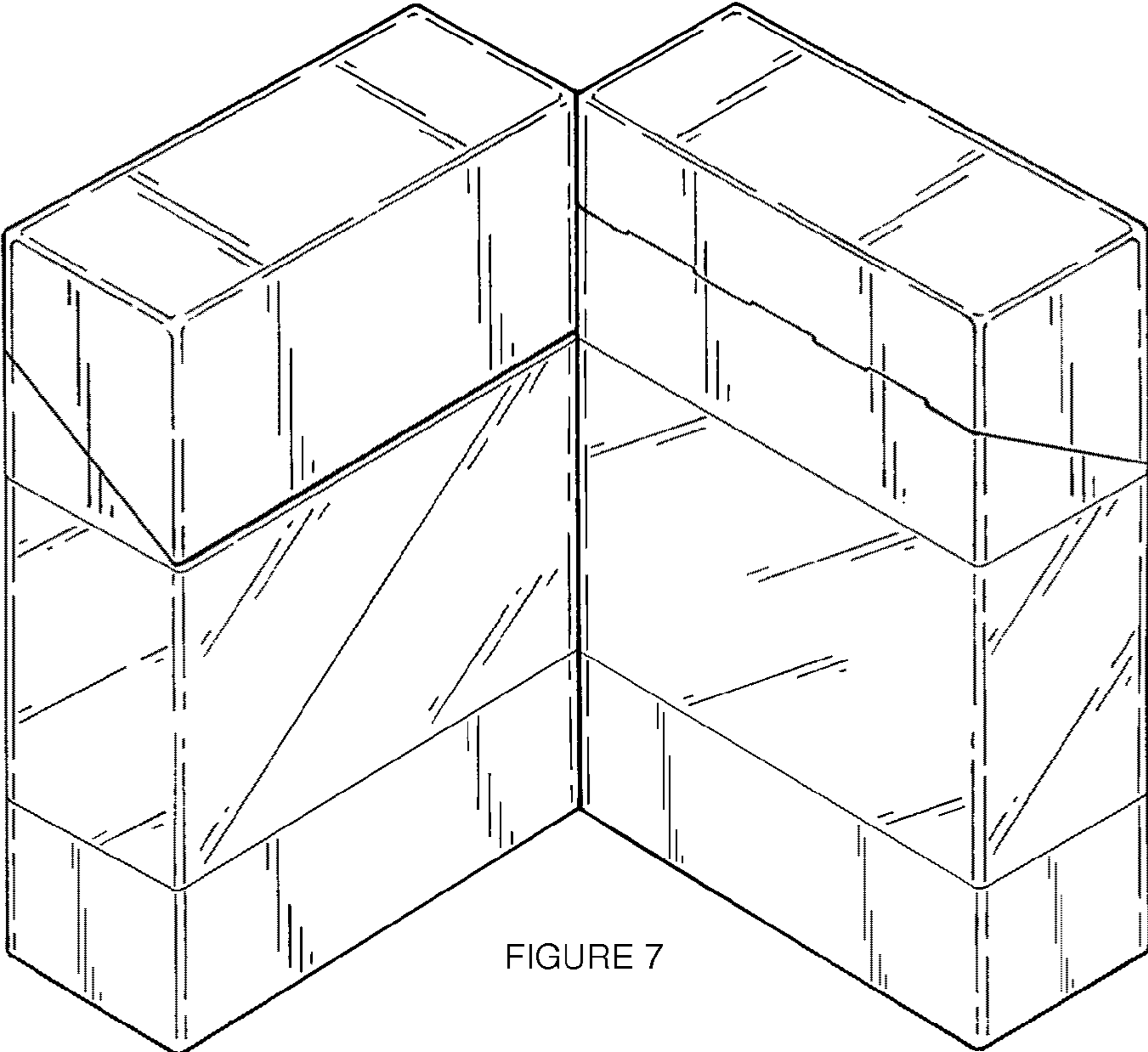


FIGURE 7