



US00D591901S

(12) **United States Design Patent**
Tearle

(10) **Patent No.:** **US D591,901 S**

(45) **Date of Patent:** **** May 5, 2009**

(54) **CIGARETTE PACKET**

(75) Inventor: **Alan Douglas Tearle**, Southampton
(GB)

(73) Assignee: **British American Tobacco**
(Investments) Limited, London (GB)

(**) Term: **14 Years**

(21) Appl. No.: **29/312,950**

(22) Filed: **Oct. 10, 2008**

Related U.S. Application Data

(62) Division of application No. 29/284,757, filed on Sep. 14, 2007, now Pat. No. Des. 586,502.

(30) **Foreign Application Priority Data**

Mar. 16, 2007 (EM) 000694930

(51) **LOC (9) Cl.** **27-06**

(52) **U.S. Cl.** **D27/189**

(58) **Field of Classification Search** 206/236–241,
206/249–251, 254–255, 256–259, 261–275;
D27/185–192; D9/430, 432; 229/160.1

See application file for complete search history.

(56) **References Cited**

U.S. PATENT DOCUMENTS

1,853,219	A *	4/1932	Newton	229/160.1
3,127,083	A *	3/1964	Guyer	206/250
3,165,249	A *	1/1965	Peck	206/268
4,607,748	A *	8/1986	Focke	206/254
D316,816	S *	5/1991	Wiholm	D9/432
D333,532	S *	2/1993	Campbell	D27/189
6,435,342	B1 *	8/2002	Agnes	206/268

D532,685	S *	11/2006	Reussner	D9/432
2005/0236283	A1 *	10/2005	Ito	206/271
2008/0035501	A1 *	2/2008	Yin	206/268

* cited by examiner

Primary Examiner—Jennifer Rivard

(74) *Attorney, Agent, or Firm*—Charles I. Sherman;
Middleton Ruetlinger

(57) **CLAIM**

The ornamental design for the cigarette packet, as shown and described.

DESCRIPTION

FIG. 1 is a perspective view of the design of the present invention with both lids in a closed position;

FIG. 2 is a front view of the design of FIG. 1 with both lids in a closed position. The back view thereof being identical;

FIG. 3 is a side view of the design of FIG. 1 with both lids in a closed position. The other side view being identical;

FIG. 4 is a top view of the design of FIG. 1 with both lids in the closed position. The bottom view thereof being identical;

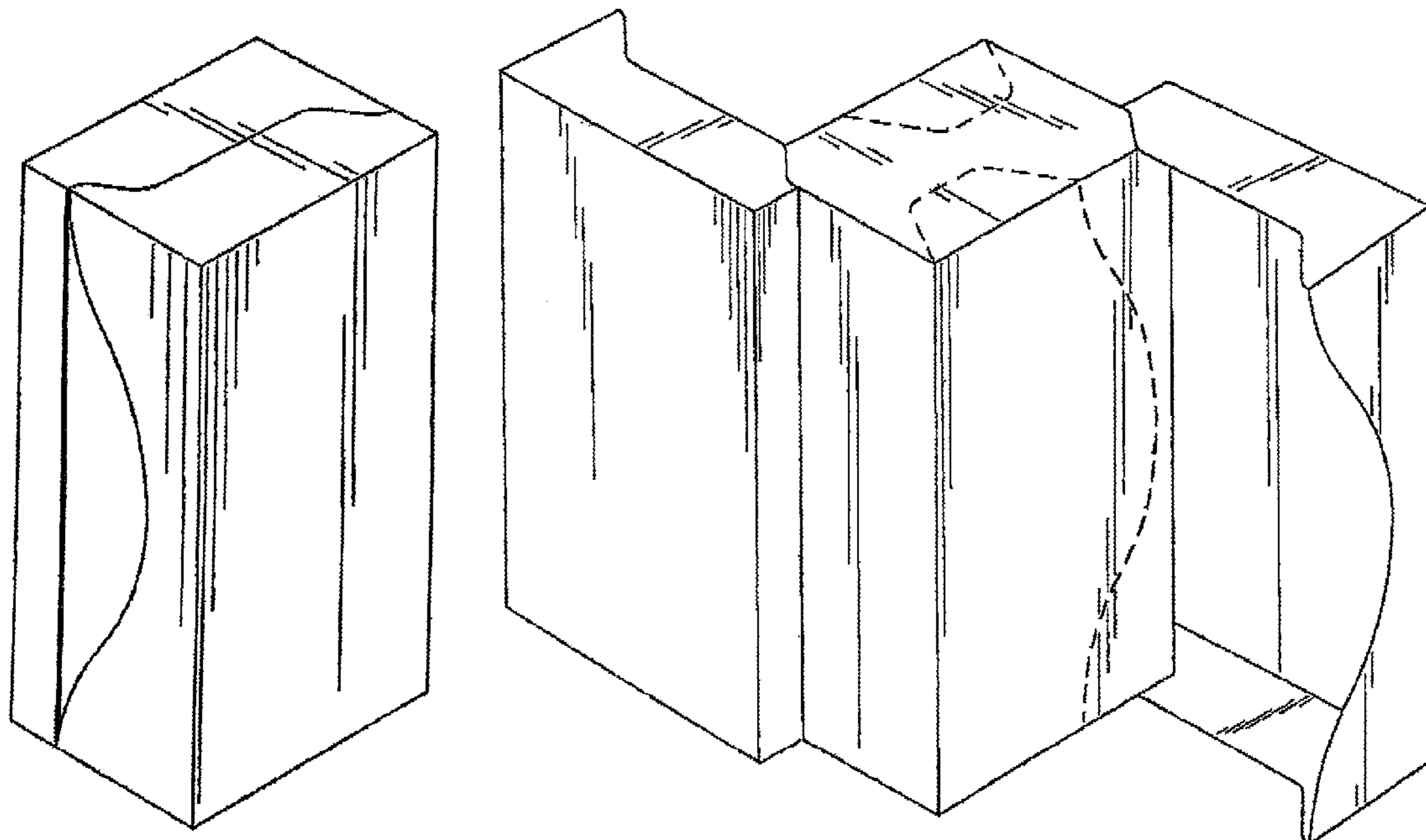
FIG. 5 is a perspective view of the embodiment of the design of FIG. 1 with both lids in an open position and with both container seals present. The opposite perspective view thereof being identical.

FIG. 6 is a perspective view of the design of FIG. 1 with one lid open and a container seal present; and,

FIG. 7 is a perspective view of the design of FIG. 1 with one lid open and a container seal removed.

The container seal has been removed from the cigarette packet in FIG. 7 for convenience of illustration.

1 Claim, 5 Drawing Sheets



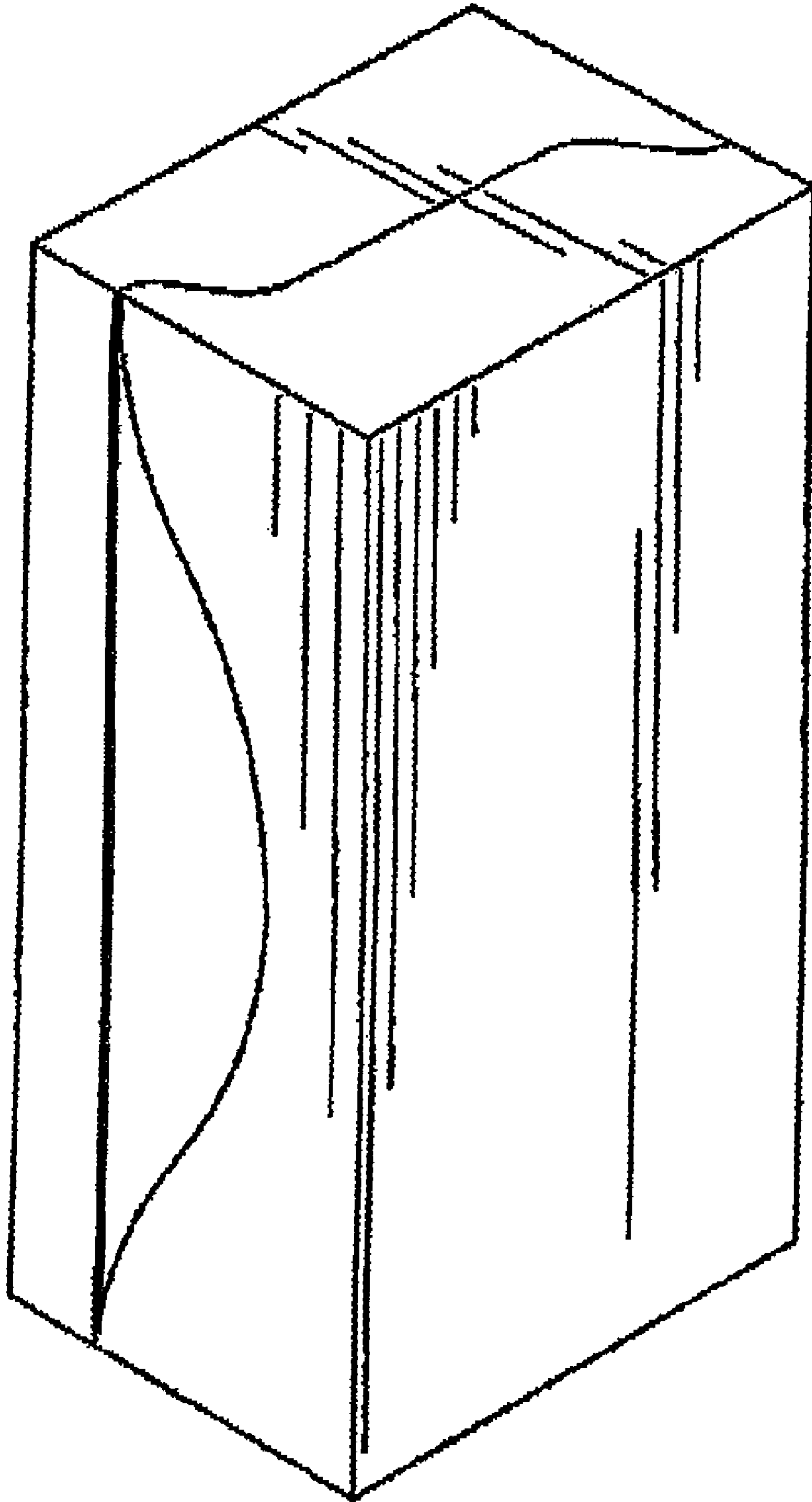


FIG. 1

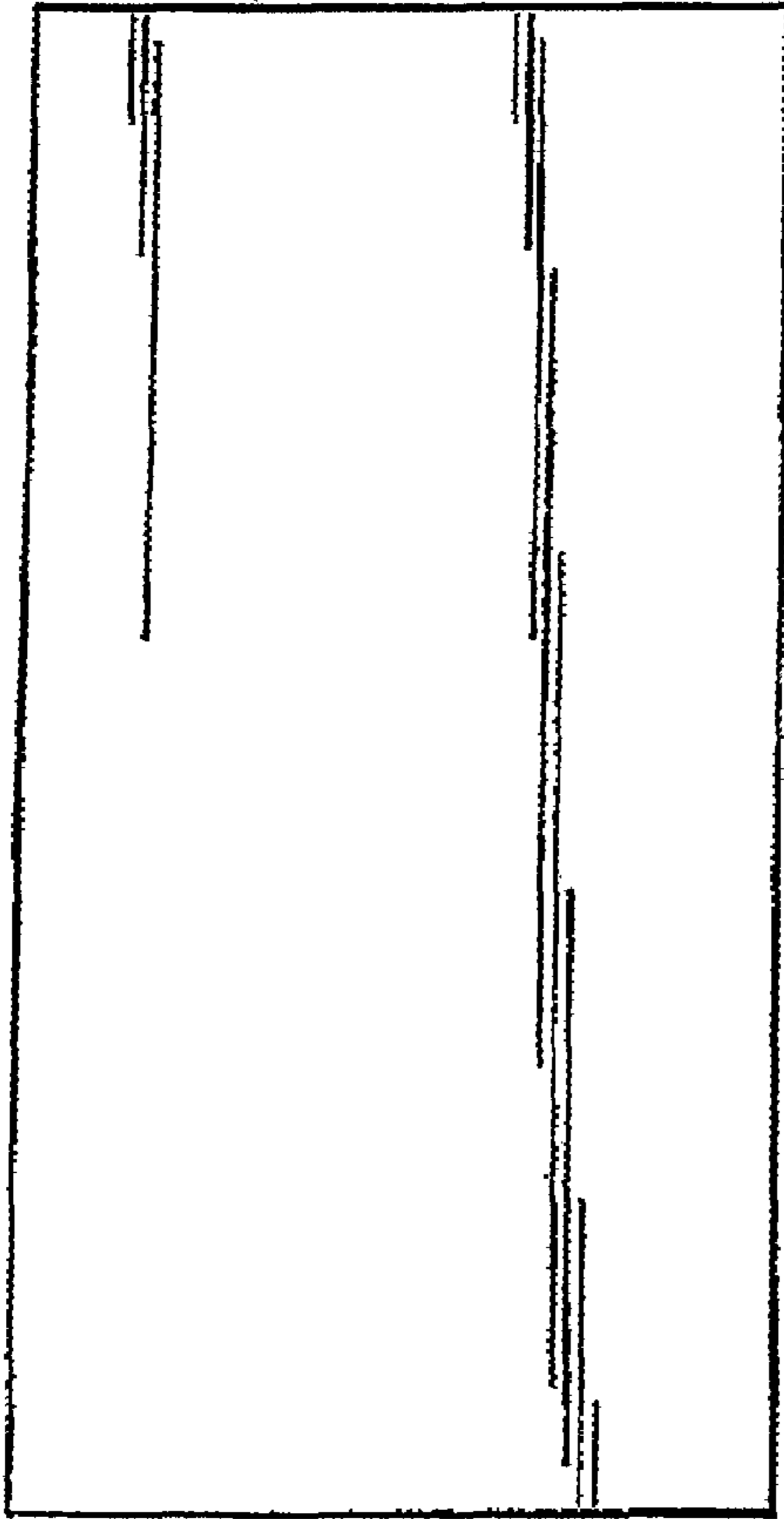


FIG. 2

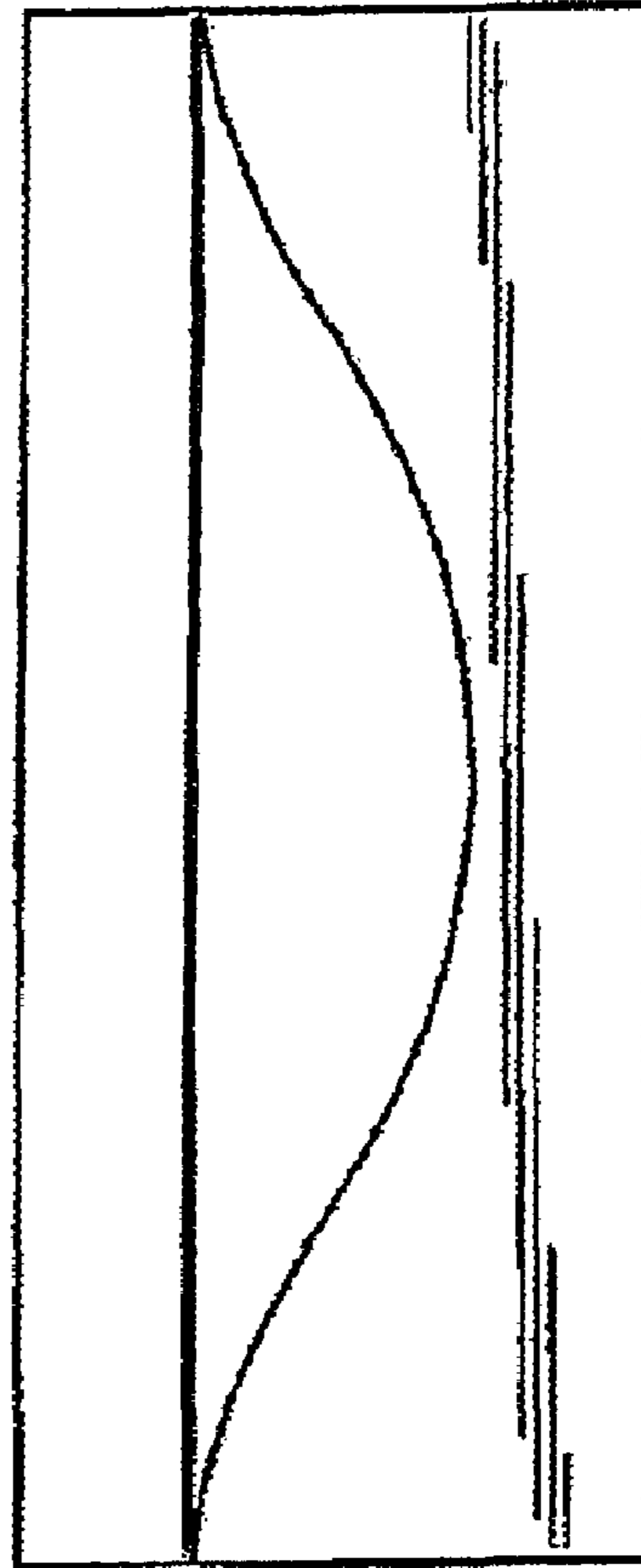


FIG. 3

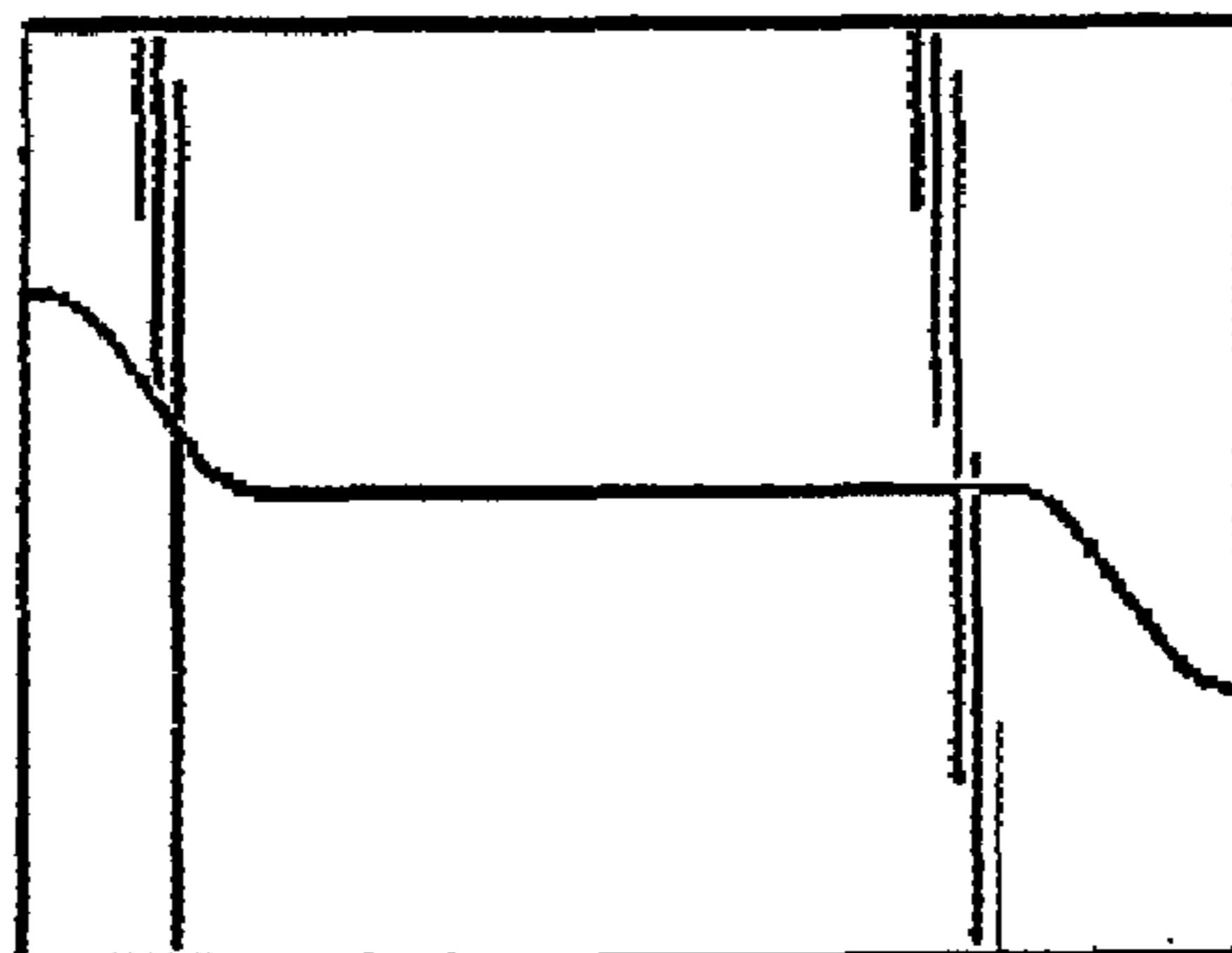


FIG. 4

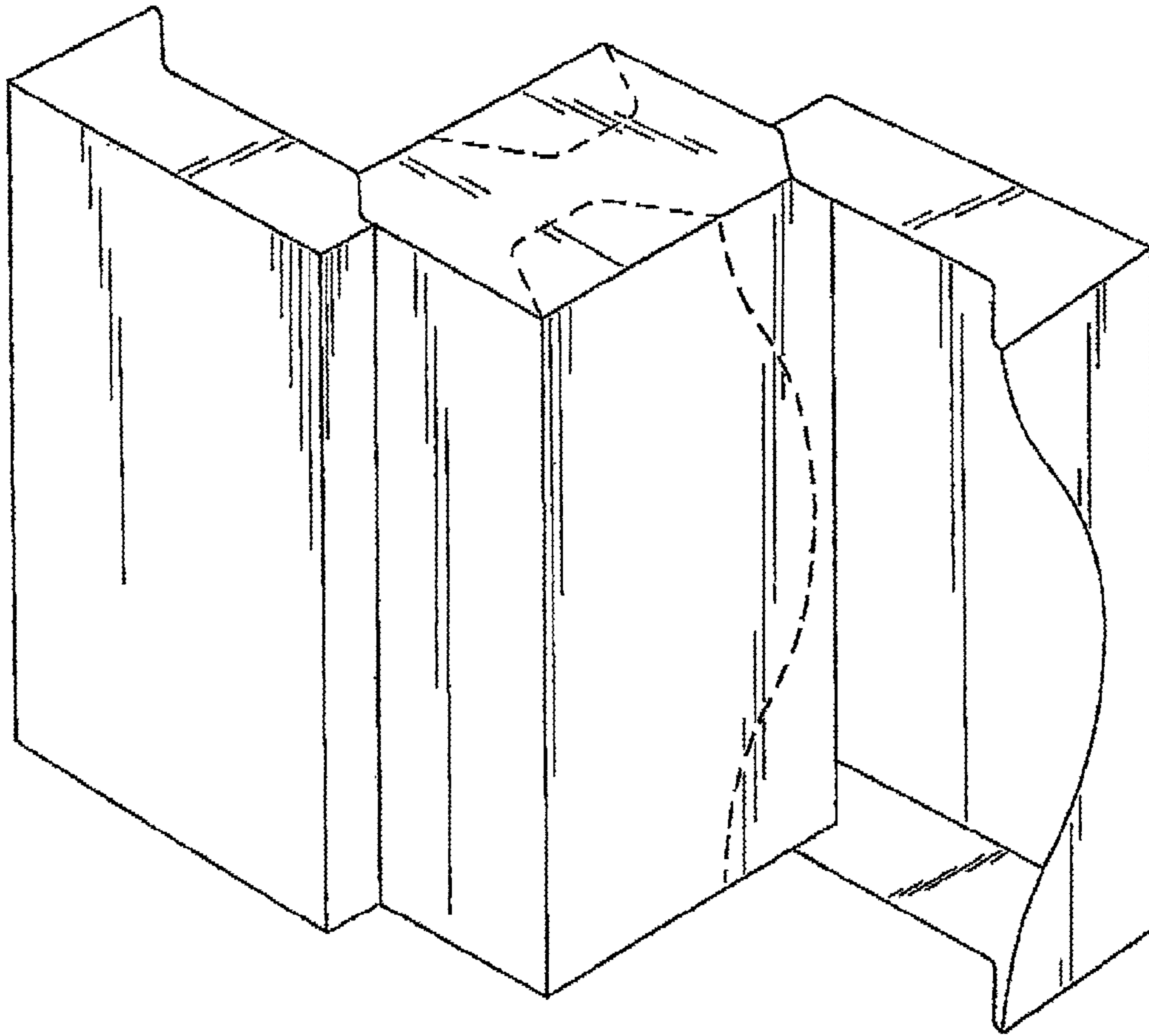


FIG. 5

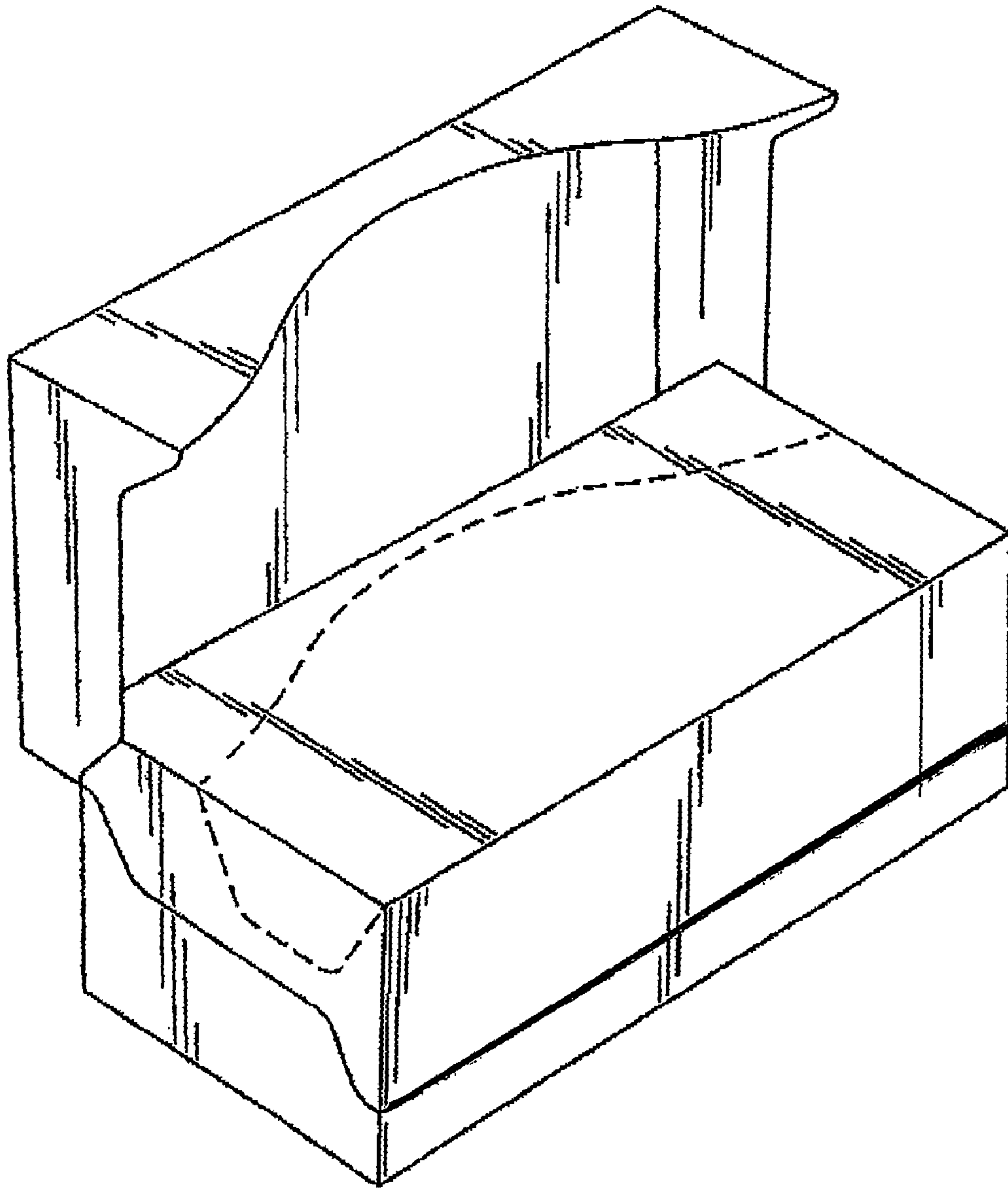


FIG. 6

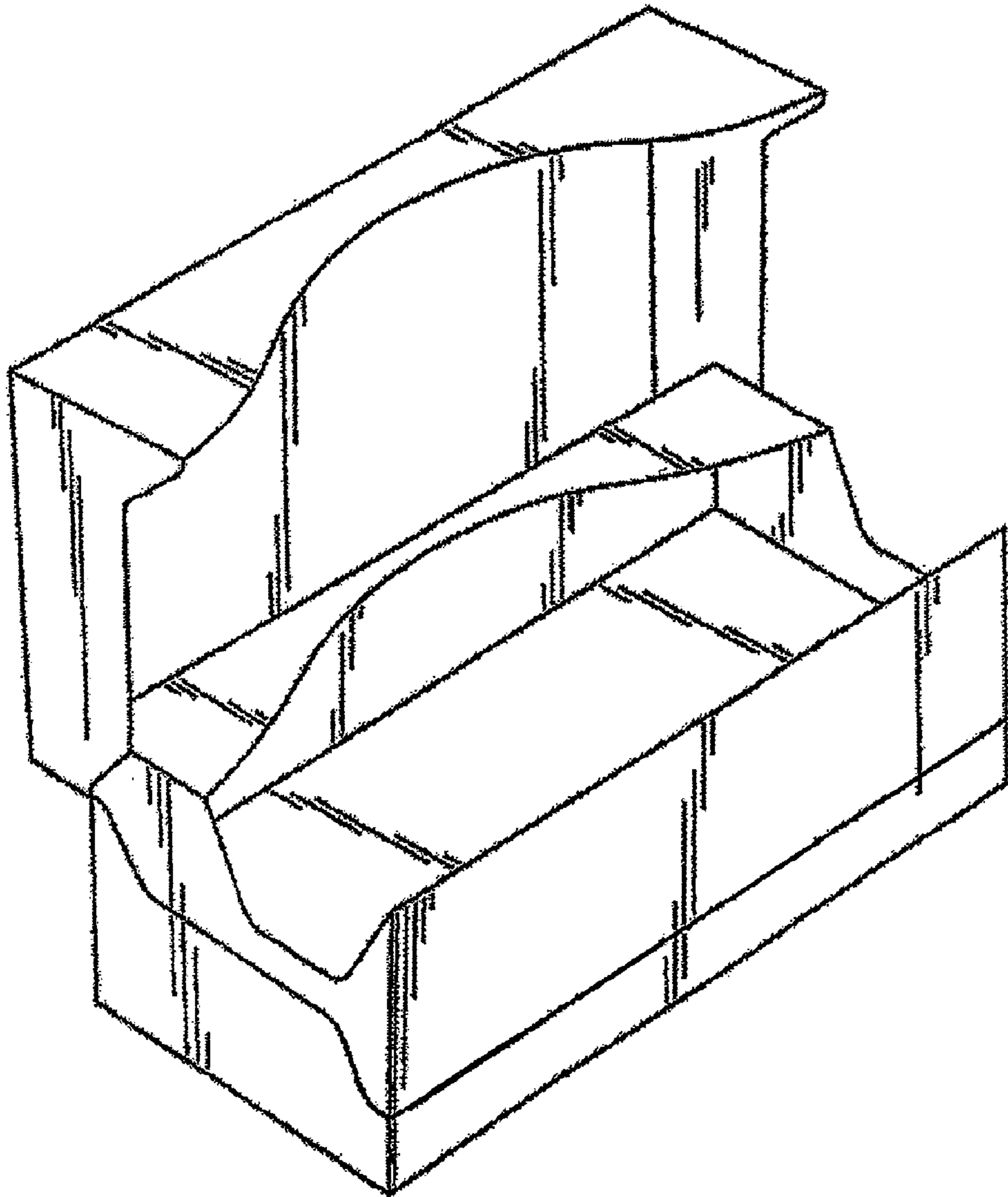


FIG. 7