



US00D591900S

(12) **United States Design Patent**
McKenzie et al.

(10) **Patent No.:** **US D591,900 S**

(45) **Date of Patent:** **** May 5, 2009**

(54) **MOIST SNUFF CONTAINER FOR USE WITH CIGARETTE PACK**

(75) Inventors: **Aaron McKenzie**, London (GB); **Steve Dickason**, London (GB)

(73) Assignee: **British American Tobacco (Investments) Limited**, London (GB)

(**) Term: **14 Years**

(21) Appl. No.: **29/298,148**

(22) Filed: **Nov. 29, 2007**

(30) **Foreign Application Priority Data**

May 31, 2007 (EM) 000734785

(51) **LOC (9) Cl.** **27-06**

(52) **U.S. Cl.** **D27/189; D9/432**

(58) **Field of Classification Search** D27/183-194;
D9/423, 430-433; 206/236-241, 242-276,
206/86, 91-95; 229/160.1

See application file for complete search history.

(56) **References Cited**

U.S. PATENT DOCUMENTS

- 340,904 A * 4/1886 Auchterlonie 229/160.1
- D363,568 S * 10/1995 Ghrawi D27/187
- D419,259 S * 1/2000 Johnson D27/187
- 6,036,006 A * 3/2000 Focke 206/264
- D509,623 S * 9/2005 Mitten et al. D27/189
- D523,171 S * 6/2006 Mitten et al. D27/189

2008/0093234 A1* 4/2008 Jones et al. 206/271

* cited by examiner

Primary Examiner—Jennifer Rivard

(74) *Attorney, Agent, or Firm*—Charles Sherman; Middleton Reutlinger

(57) **CLAIM**

The ornamental design for a moist snuff container for use with cigarette pack, as shown and described.

DESCRIPTION

FIG. 1 is a front view of the design for the moist snuff container for use with cigarette pack in a closed position;

FIG. 2 is a rear view of the design of FIG. 1;

FIG. 3 is a right side view of FIG. 1; The left side view being a mirror image thereof;

FIG. 4 is a top view of the design of the present invention;

FIG. 5 is a bottom view of the design of FIG. 1;

FIG. 6 is a front perspective view of the design of the present invention with the cover in a partially open position and the internal slider box fully inserted;

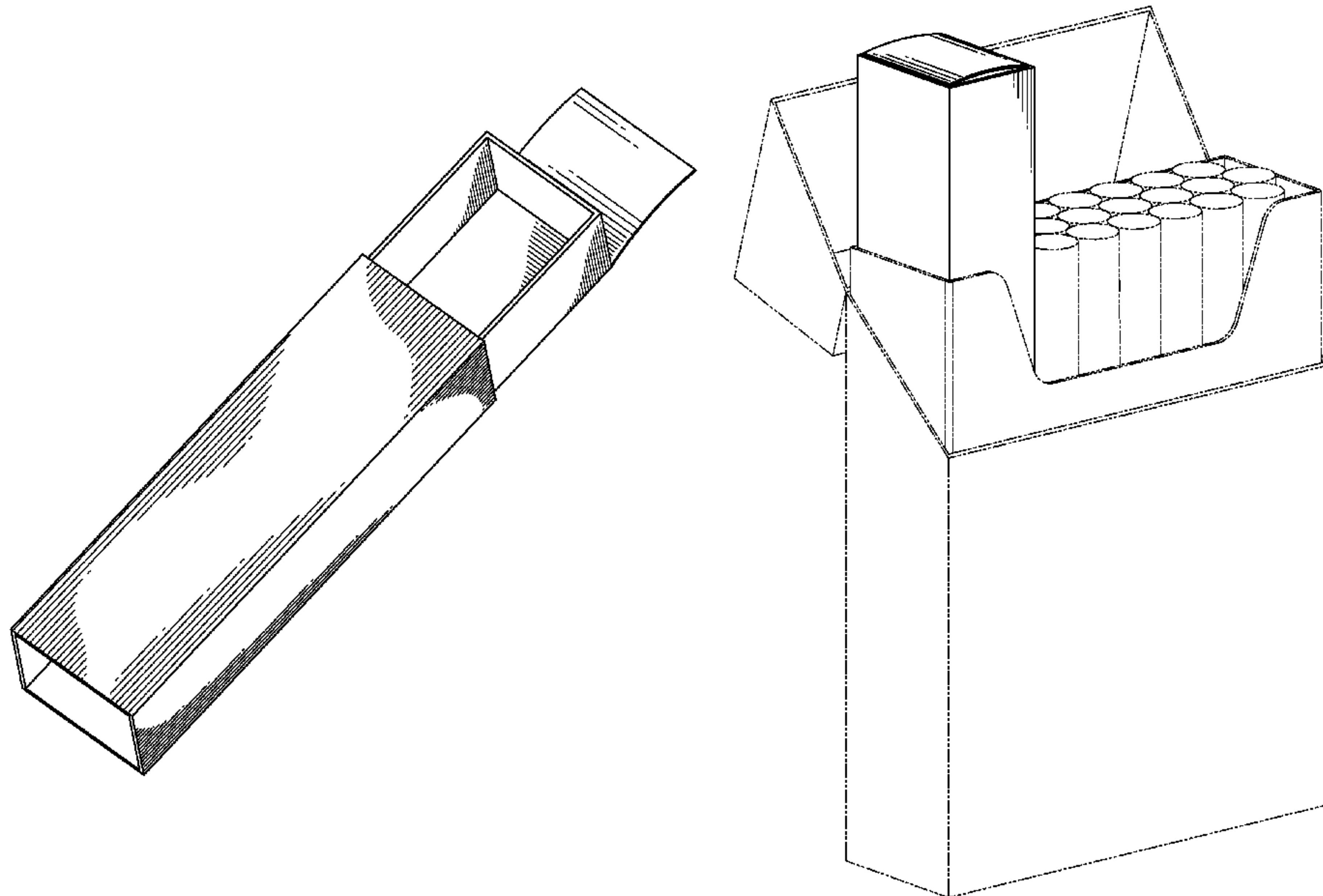
FIG. 7 is a front perspective view of the design of the present invention with the internal slider box partially withdrawn;

FIG. 8 is a front perspective view of the design of the present invention as used in a cigarette pack; and,

FIG. 9 is a front perspective view of the design of the present invention as partially withdrawn from a cigarette pack.

The broken lines shown in the drawings illustrate environment and form no part of the claimed design.

1 Claim, 9 Drawing Sheets



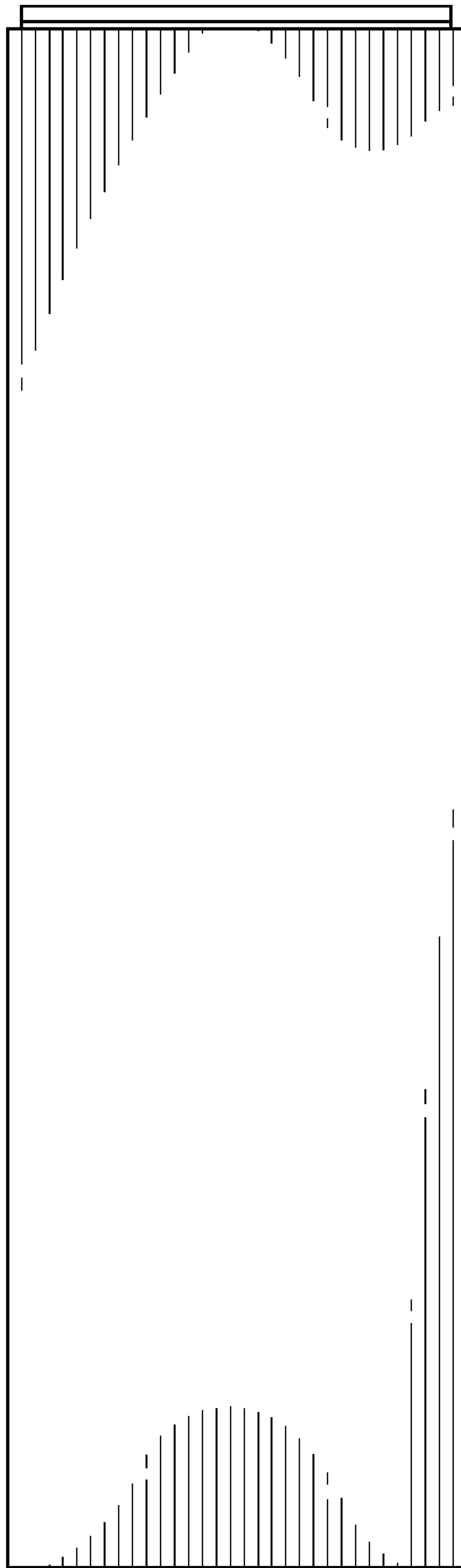


FIG. 1

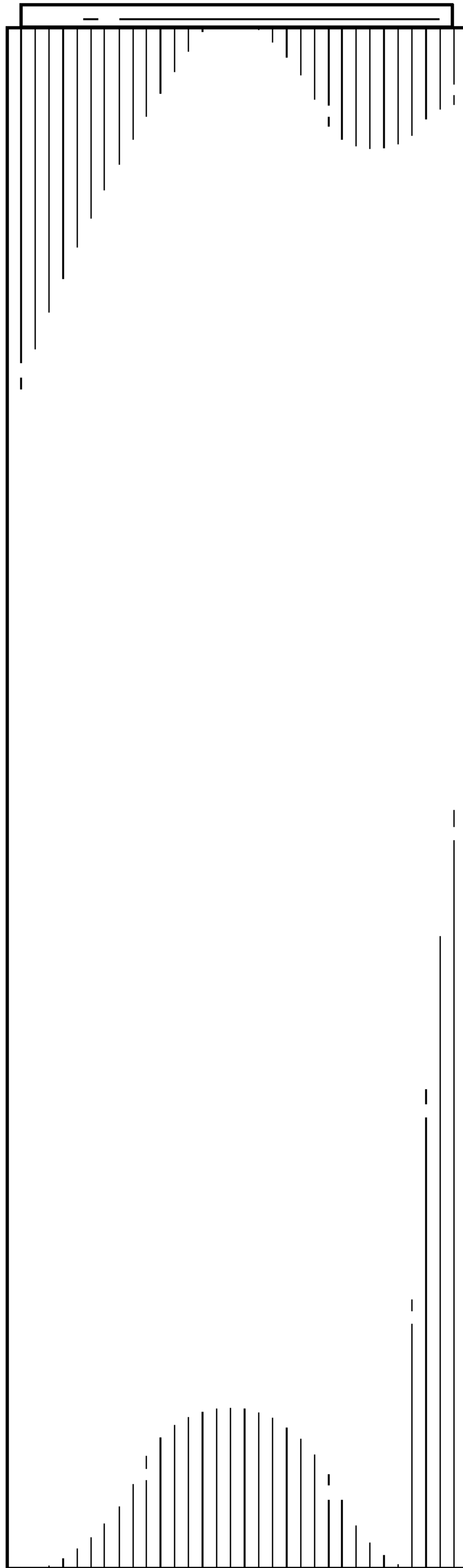


FIG. 2

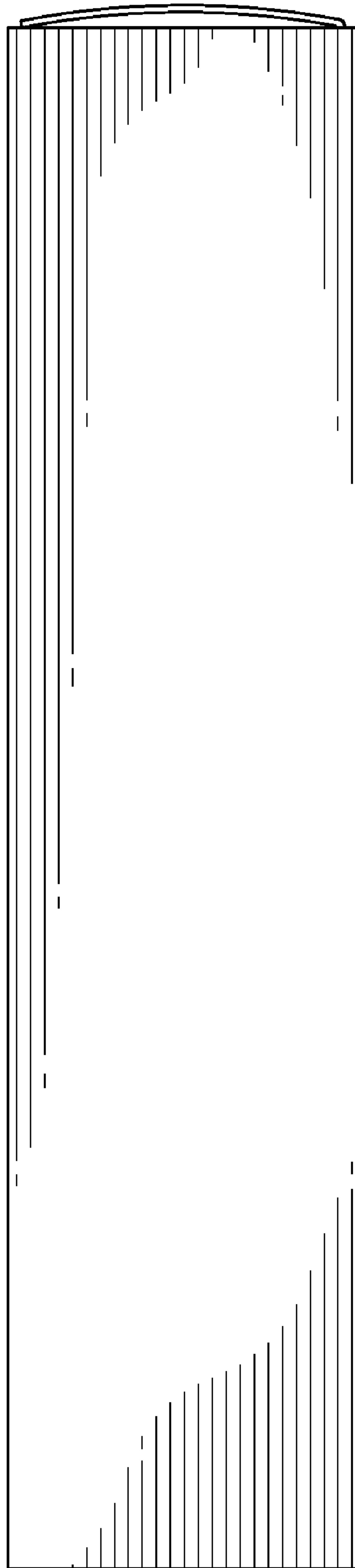


FIG. 3

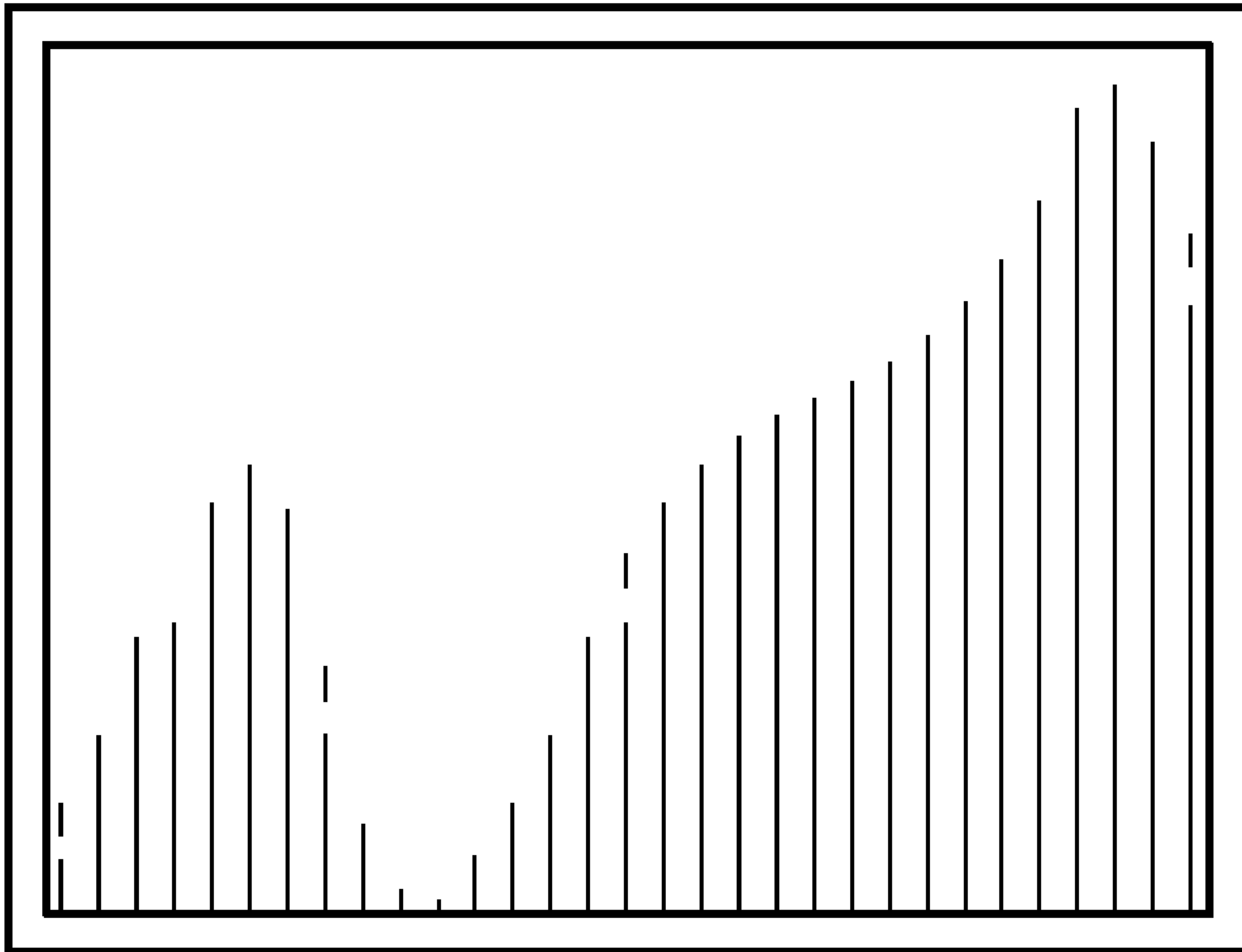


FIG. 4

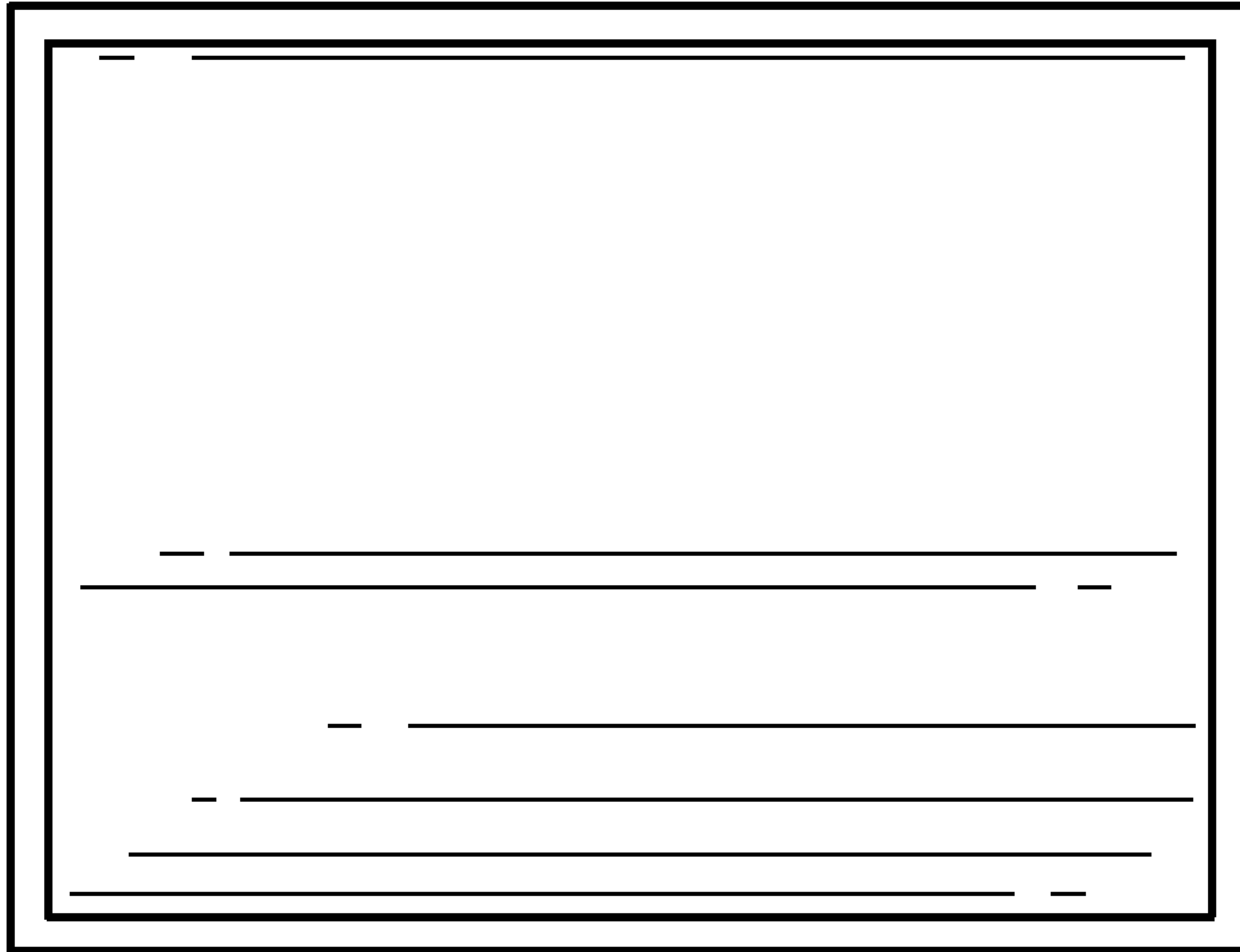


FIG. 5

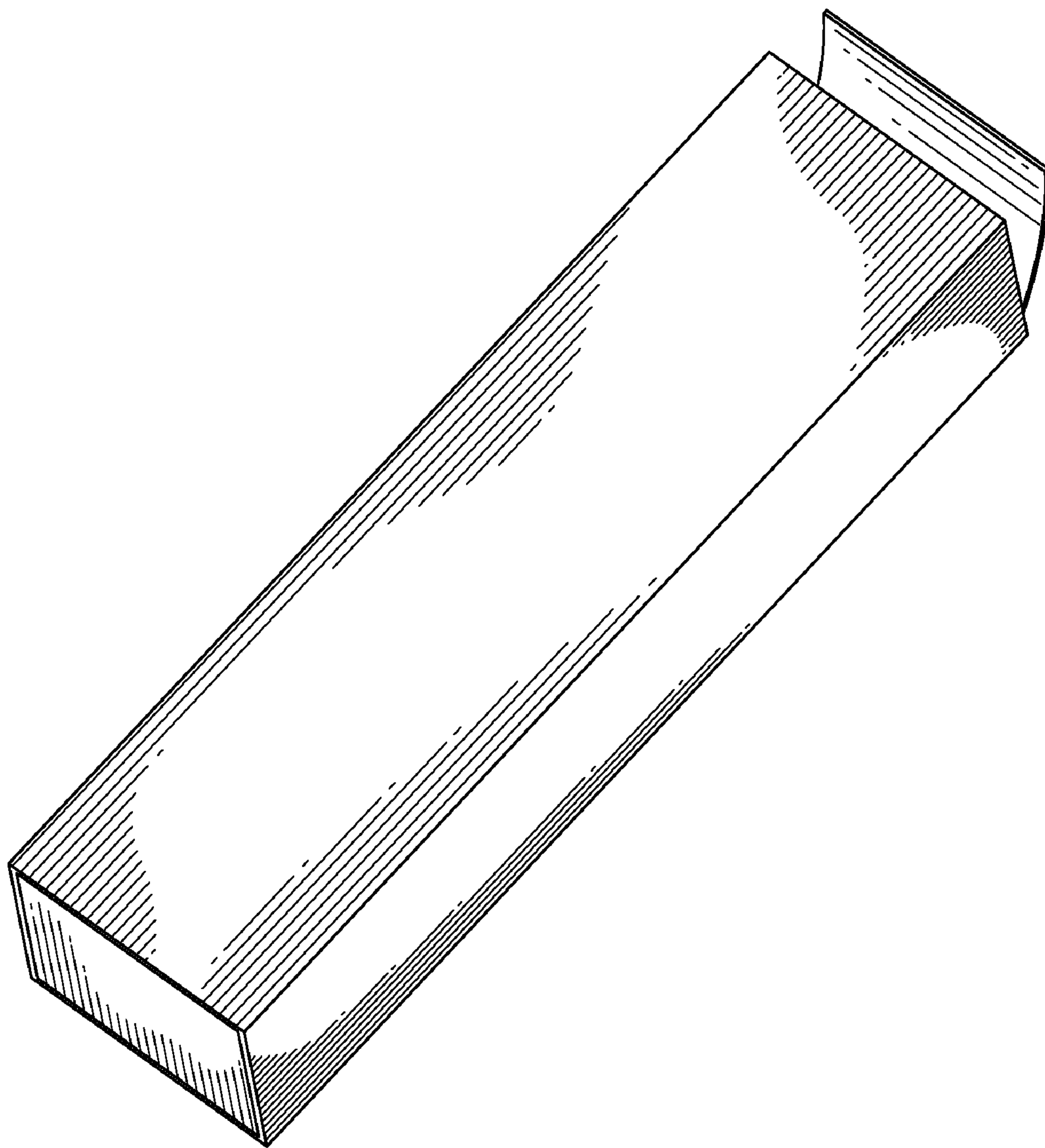


FIG. 6

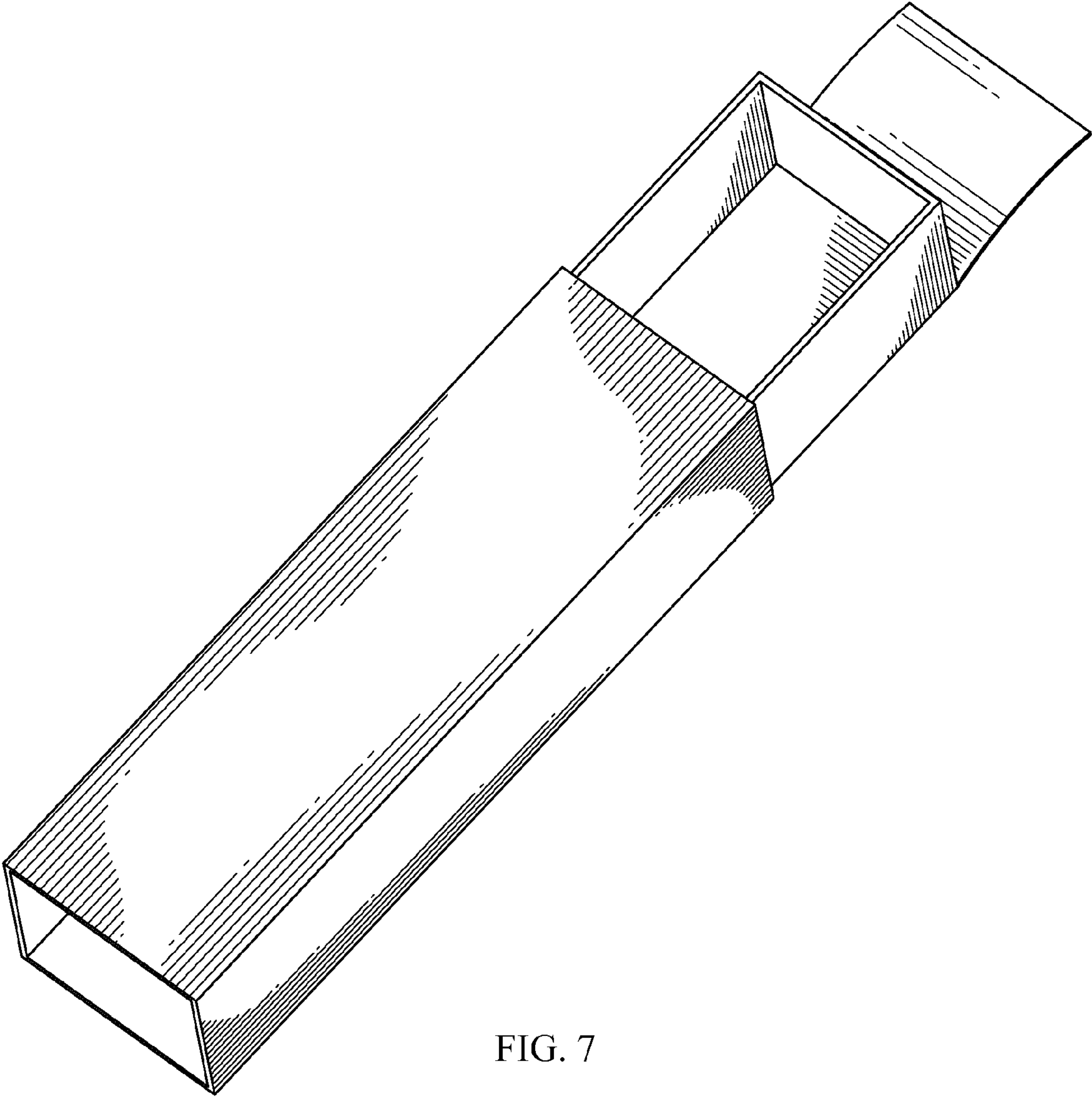


FIG. 7

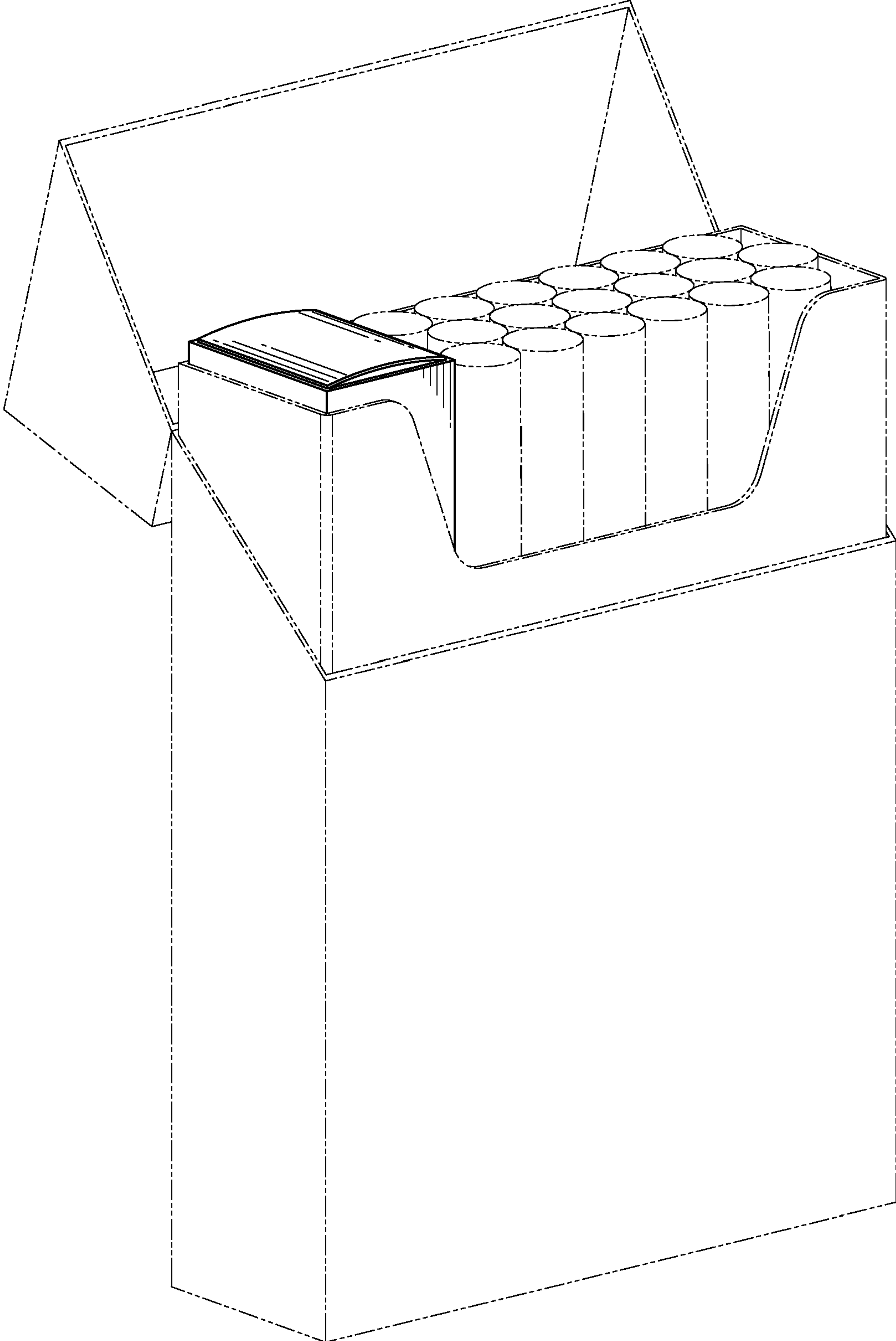


FIG. 8

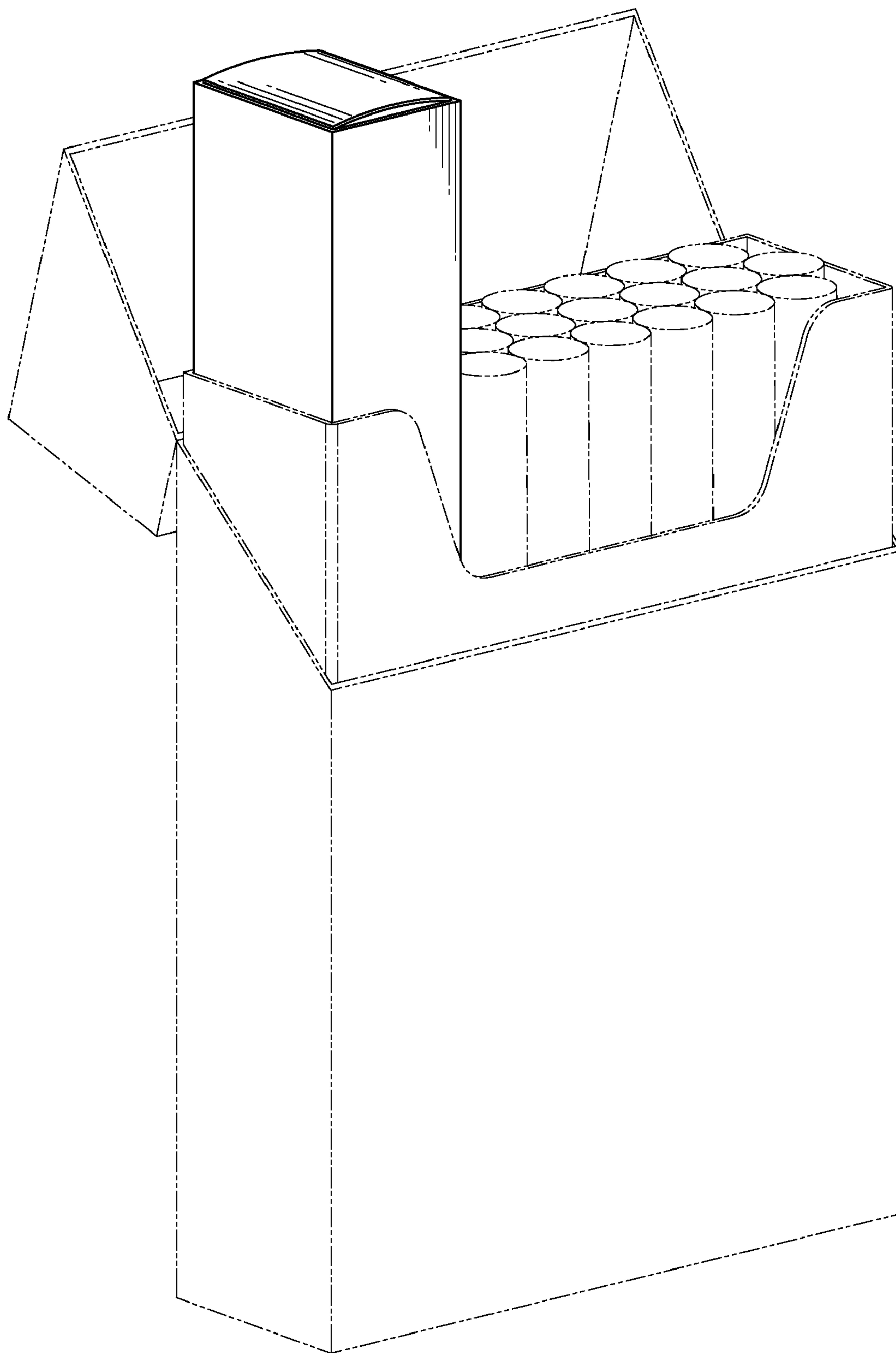


FIG. 9