

US00D591898S

(12) **United States Design Patent**
McKenzie et al.

(10) **Patent No.:** **US D591,898 S**

(45) **Date of Patent:** **** May 5, 2009**

(54) **CIGARETTE PACK WITH MOIST SNUFF CONTAINER**

6,036,006 A * 3/2000 Focke 206/264
2008/0093234 A1* 4/2008 Jones et al. 206/271

(75) Inventors: **Aaron McKenzie**, London (GB); **Steve Dickason**, London (GB)

* cited by examiner

Primary Examiner—Jennifer Rivard

(73) Assignee: **British American Tobacco (Investments) Limited**, London (GB)

(74) *Attorney, Agent, or Firm*—Charles Sherman; Middleton Reutlinger

(**) Term: **14 Years**

(57) **CLAIM**

(21) Appl. No.: **29/298,145**

The ornamental design for a cigarette pack with moist snuff container, as shown and described.

(22) Filed: **Nov. 29, 2007**

DESCRIPTION

(30) **Foreign Application Priority Data**

May 31, 2007 (EM) 000734785

FIG. 1 is a front perspective view of the design for the cigarette pack with moist snuff container in an open position;

(51) **LOC (9) Cl.** **27-06**

FIG. 2 is a front perspective view of the design of the present invention in an open position with the moist snuff container partially removed from the cigarette pack;

(52) **U.S. Cl.** **D27/187; D27/189**

FIG. 3 is a front view of the design of FIG. 1;

(58) **Field of Classification Search** D27/183–194;
D9/423, 430–433; 206/236–241, 242–276,
206/86, 91–95; 229/160.1

FIG. 4 is a top view of the design of FIG. 1;

See application file for complete search history.

FIG. 5 is a right side view of the design of FIG. 1; and,

(56) **References Cited**

FIG. 6 is a left side view of the design of FIG. 1.

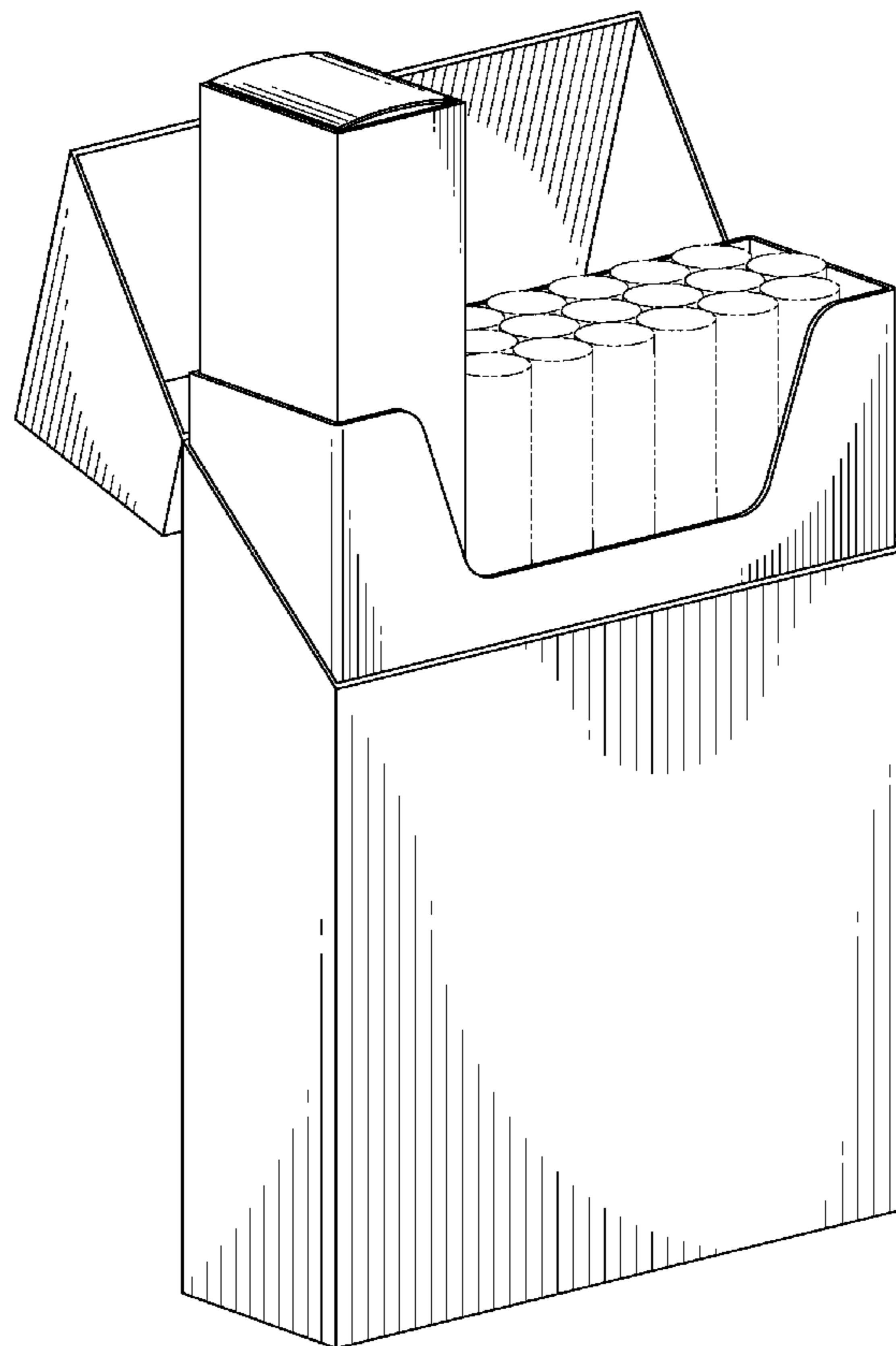
U.S. PATENT DOCUMENTS

The broken lines shown in the drawings illustrate environment and form no part of the claimed design.

D363,568 S * 10/1995 Ghrawi D27/187

D419,259 S * 1/2000 Johnson D27/187

1 Claim, 6 Drawing Sheets



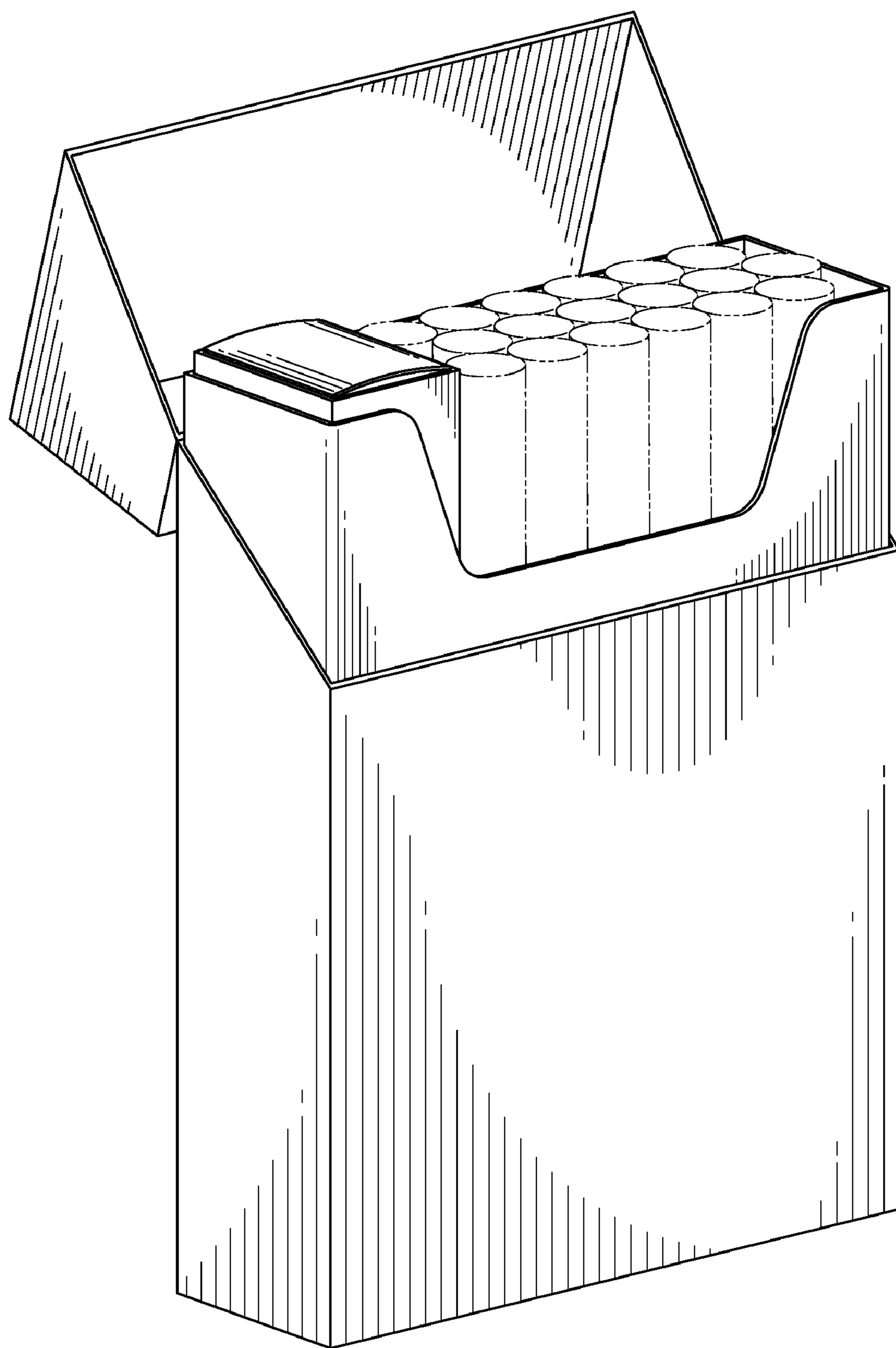


FIG. 1

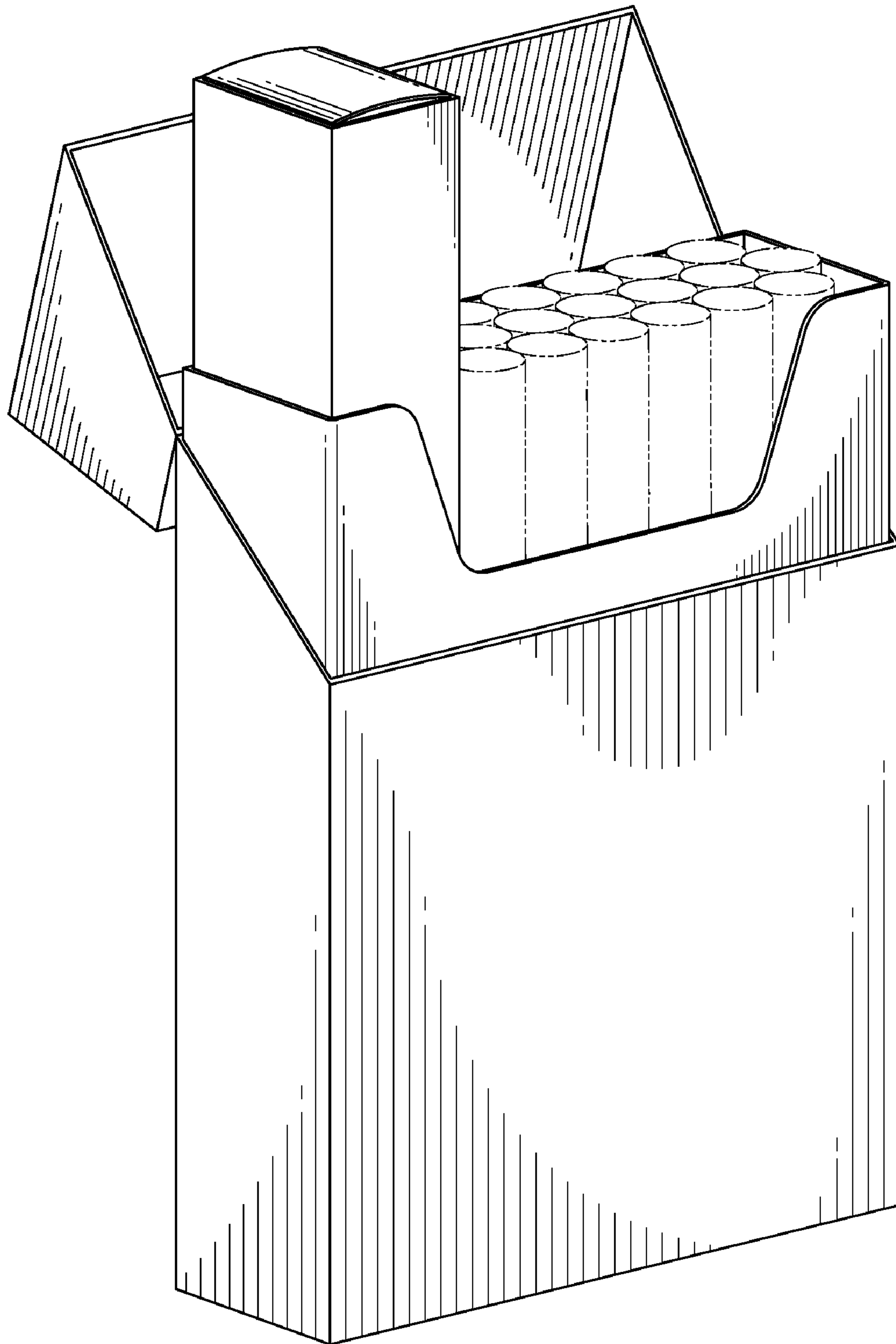


FIG. 2

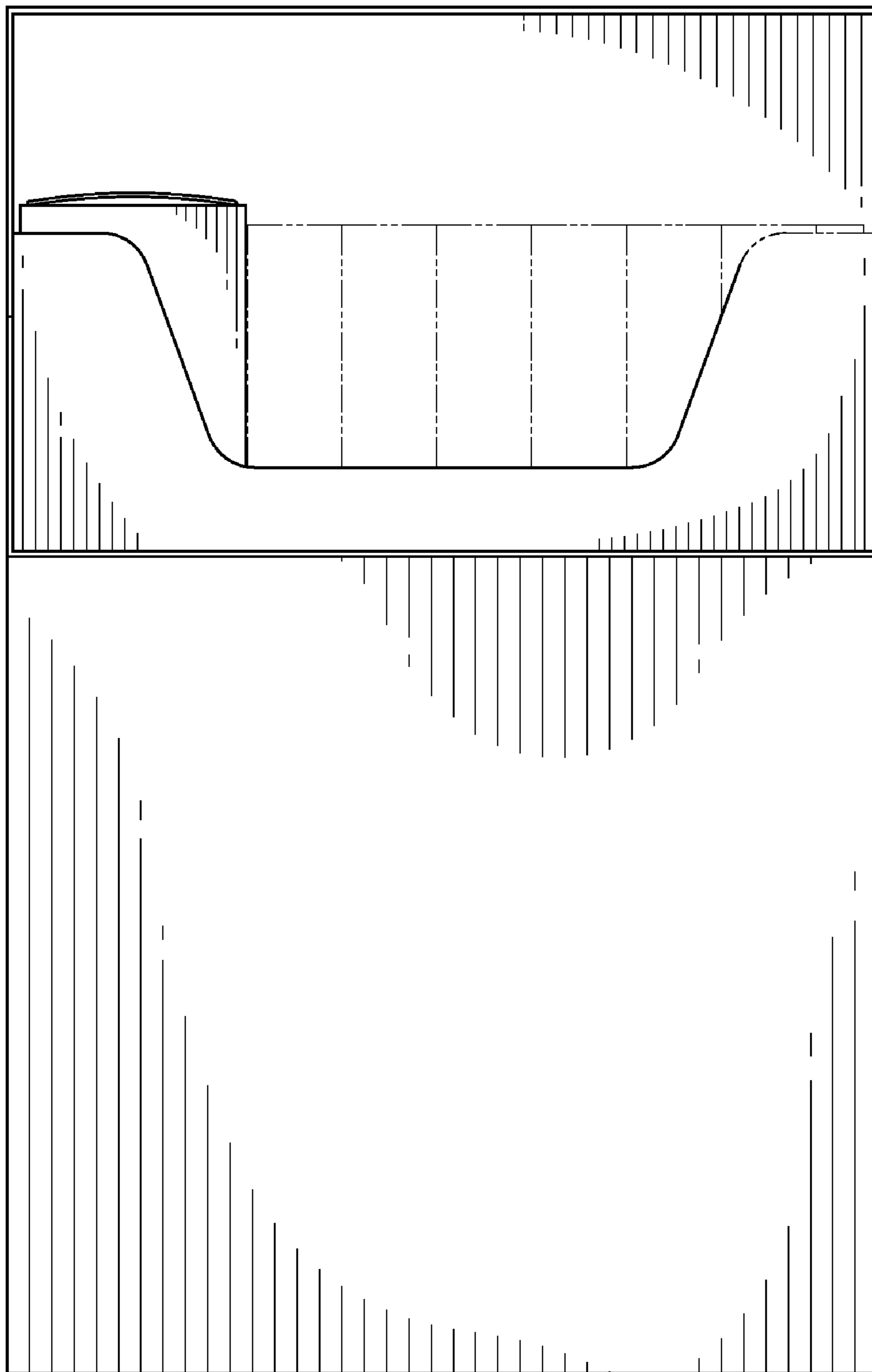


FIG. 3

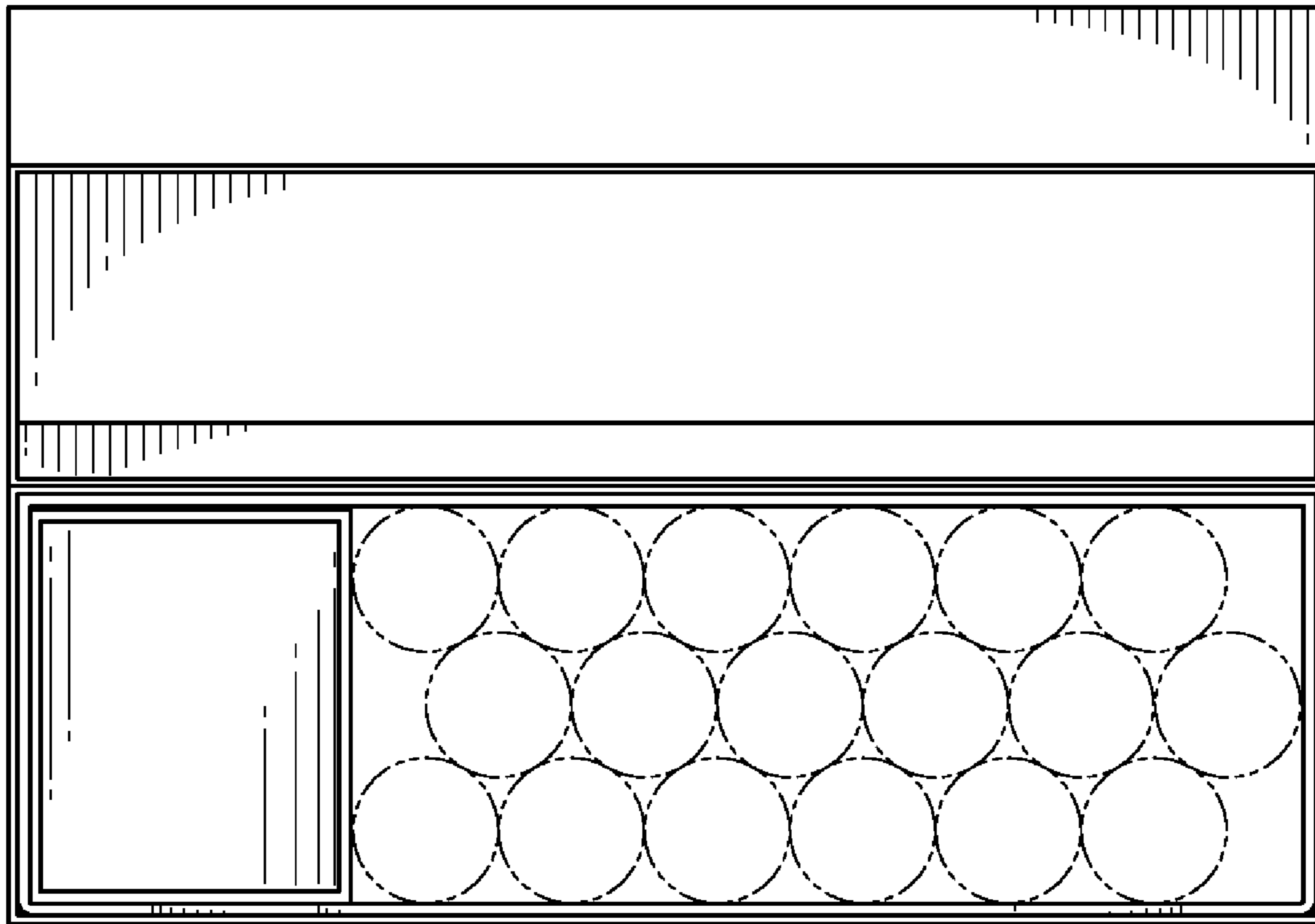


FIG. 4

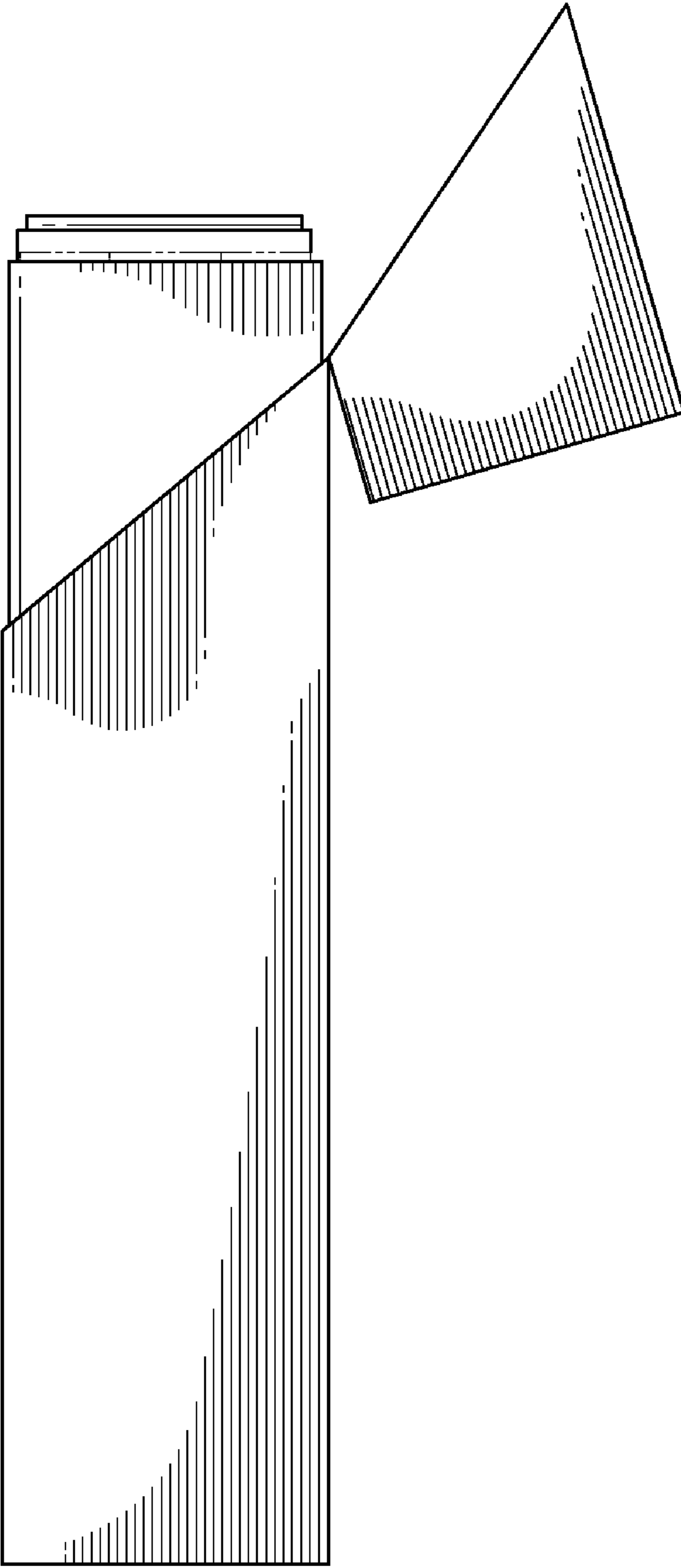


FIG. 5

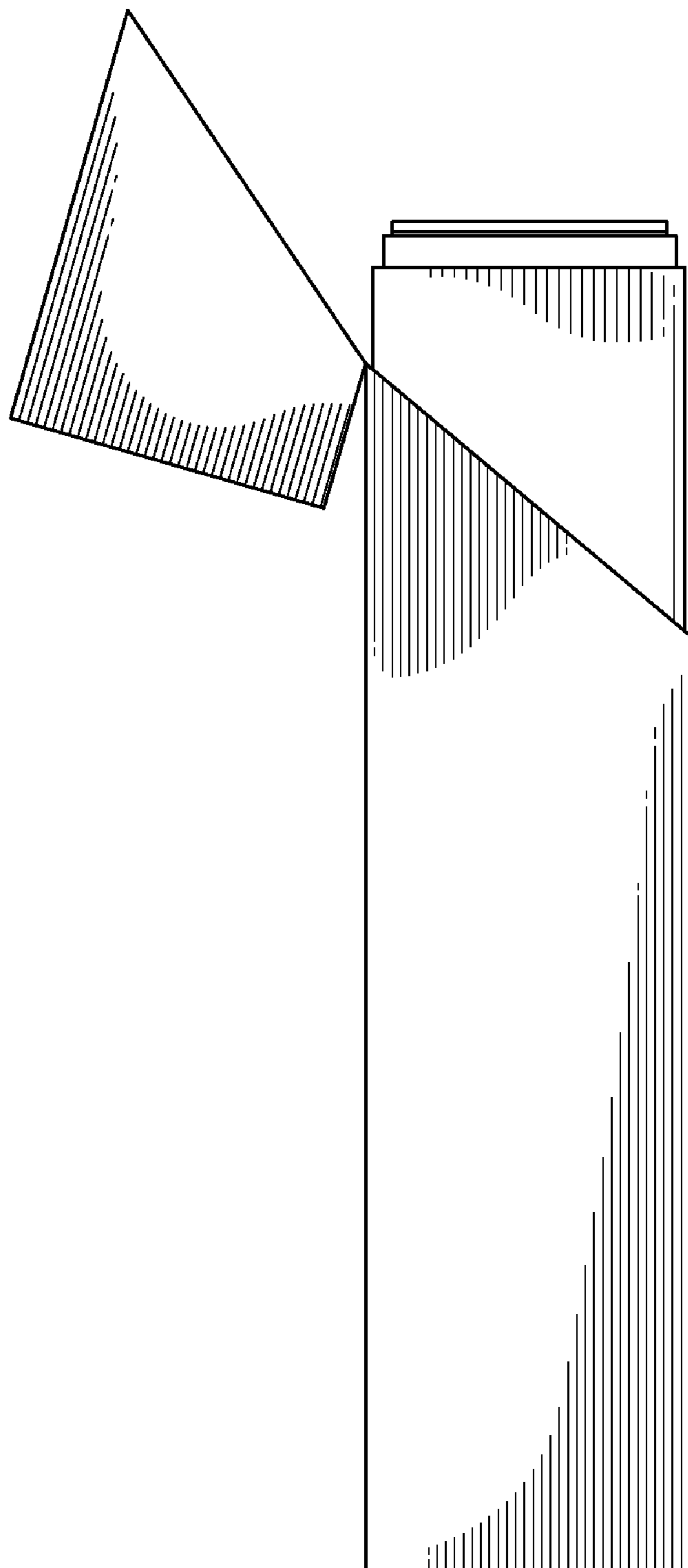


FIG. 6