



US00D591894S

(12) **United States Design Patent**  
**Flank**

(10) **Patent No.:** **US D591,894 S**

(45) **Date of Patent:** **\*\* May 5, 2009**

(54) **HOUSING FOR LED RETROFIT FIXTURE**

(75) Inventor: **Douglas Flank**, East Rockaway, NY (US)

(73) Assignee: **Oleg Lidberg**, Staten Island, NY (US)

(\*\*) Term: **14 Years**

(21) Appl. No.: **29/308,560**

(22) Filed: **Jun. 23, 2008**

(51) **LOC (9) Cl.** ..... **26-05**

(52) **U.S. Cl.** ..... **D26/74**

(58) **Field of Classification Search** ..... D26/26,  
D26/37, 67, 72, 74-79, 80, 104, 108, 118,  
D26/120; 362/147-148, 150, 217-225, 132,  
362/260-264, 267, 308, 345, 348, 440; D13/180  
See application file for complete search history.

(56) **References Cited**

**U.S. PATENT DOCUMENTS**

382,210	A *	5/1888	Black	.....	431/301
3,705,302	A *	12/1972	Judge et al.	.....	362/222
4,595,969	A *	6/1986	McNair	.....	362/217
4,761,721	A *	8/1988	Willing	.....	362/348
D404,122	S *	1/1999	Hayashi et al.	.....	D23/370
D485,006	S *	1/2004	Huang	.....	D26/118
D538,951	S *	3/2007	Maxik et al.	.....	D26/2
7,213,940	B1	5/2007	Van De Ven et al.		

D571,497	S *	6/2008	Chan et al.	.....	D26/74
D573,294	S *	7/2008	Chan et al.	.....	D26/74
D581,083	S *	11/2008	Chan et al.	.....	D26/74
2003/0185012	A1 *	10/2003	Sitzema et al.	.....	362/328
2008/0106907	A1 *	5/2008	Trott et al.	.....	362/368
2008/0130298	A1 *	6/2008	Negley et al.	.....	362/365

\* cited by examiner

*Primary Examiner*—Robert M Spear

*Assistant Examiner*—Susan E Krakower

(74) *Attorney, Agent, or Firm*—Robert L. Epstein; Epstein Drangel Bazerman & James, LLP

(57) **CLAIM**

The ornamental design for a housing for LED retrofit fixture, substantially as shown and described.

**DESCRIPTION**

FIG. 1 is an isometric view of a first embodiment of the housing for LED retrofit fixture;

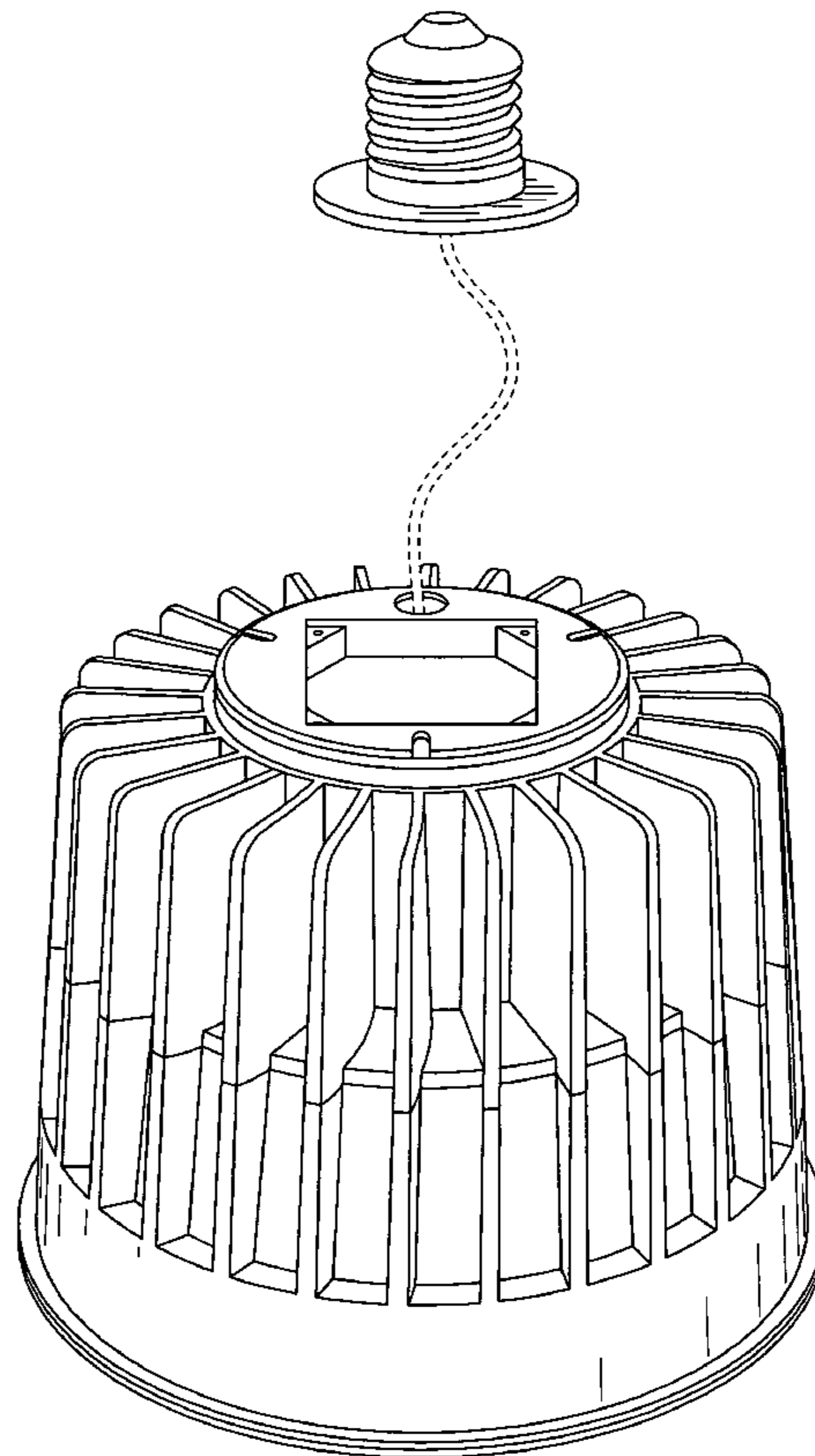
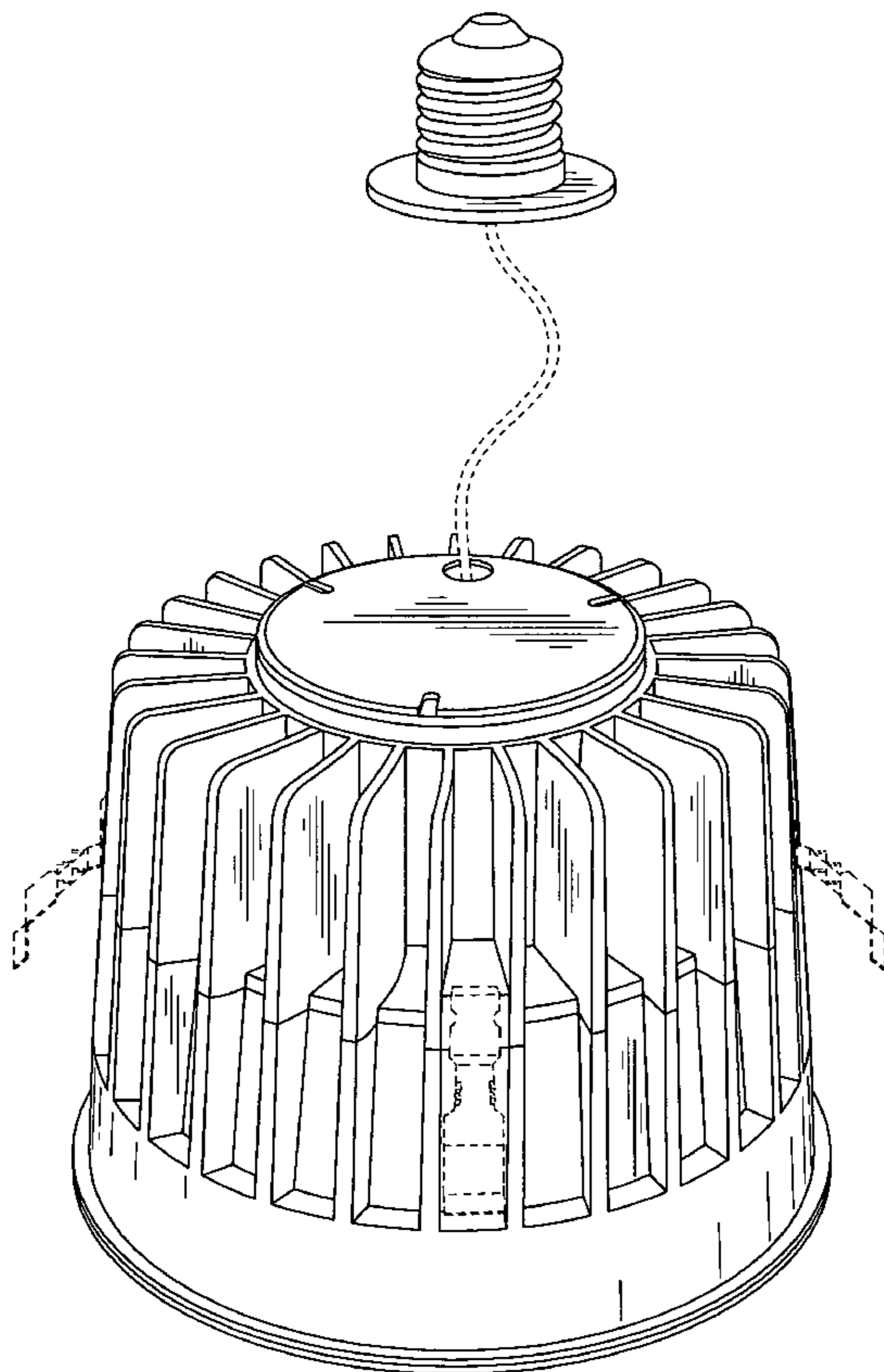
FIG. 2 is a side elevational view thereof;

FIG. 3 is a top plan view thereof; and,

FIG. 4 is an isometric view of a second embodiment of the housing for LED retrofit fixture.

The broken lines showing a cord illustrates environmental subject matter and form no part of the claimed design.

**1 Claim, 4 Drawing Sheets**



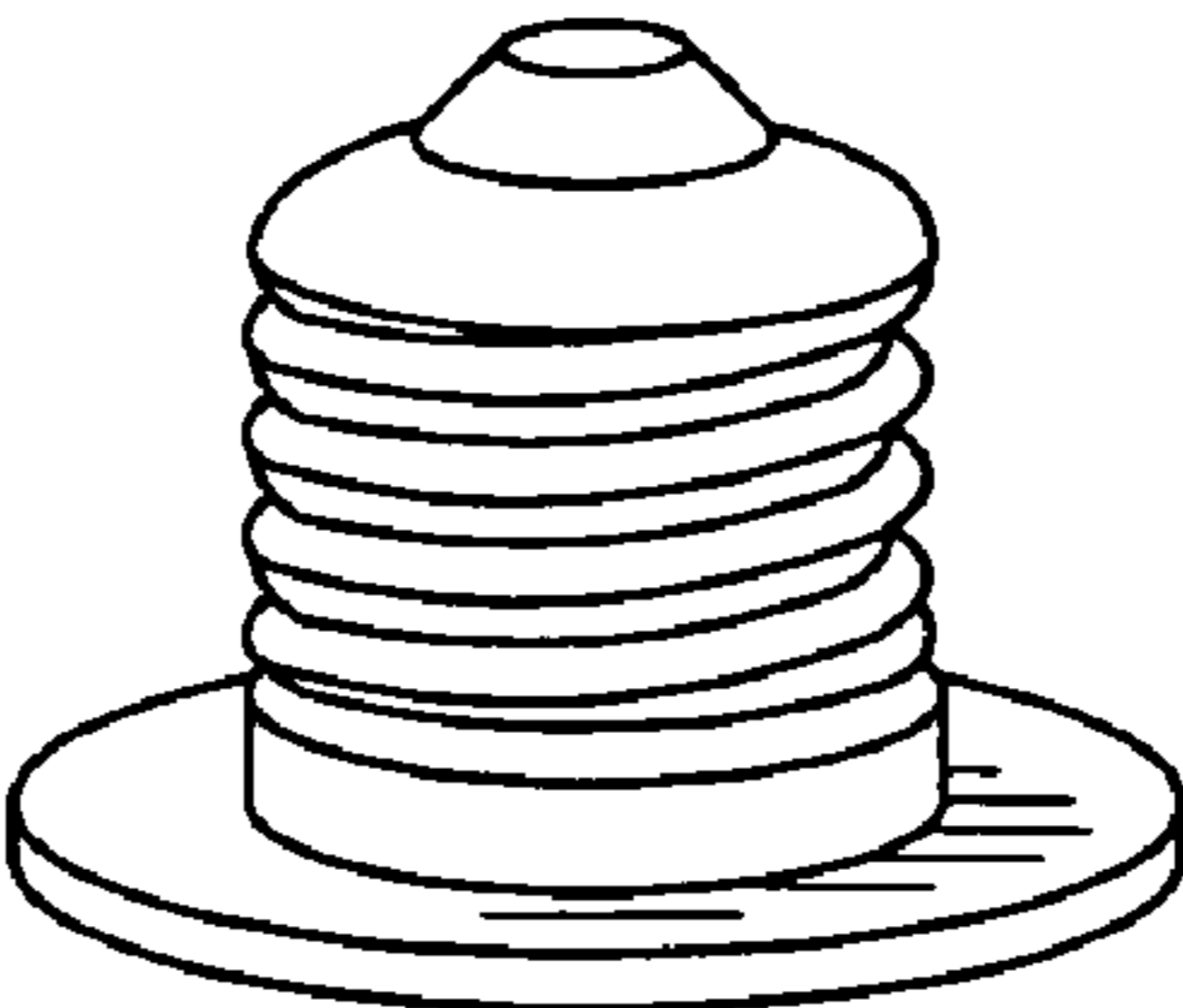


FIG. 1

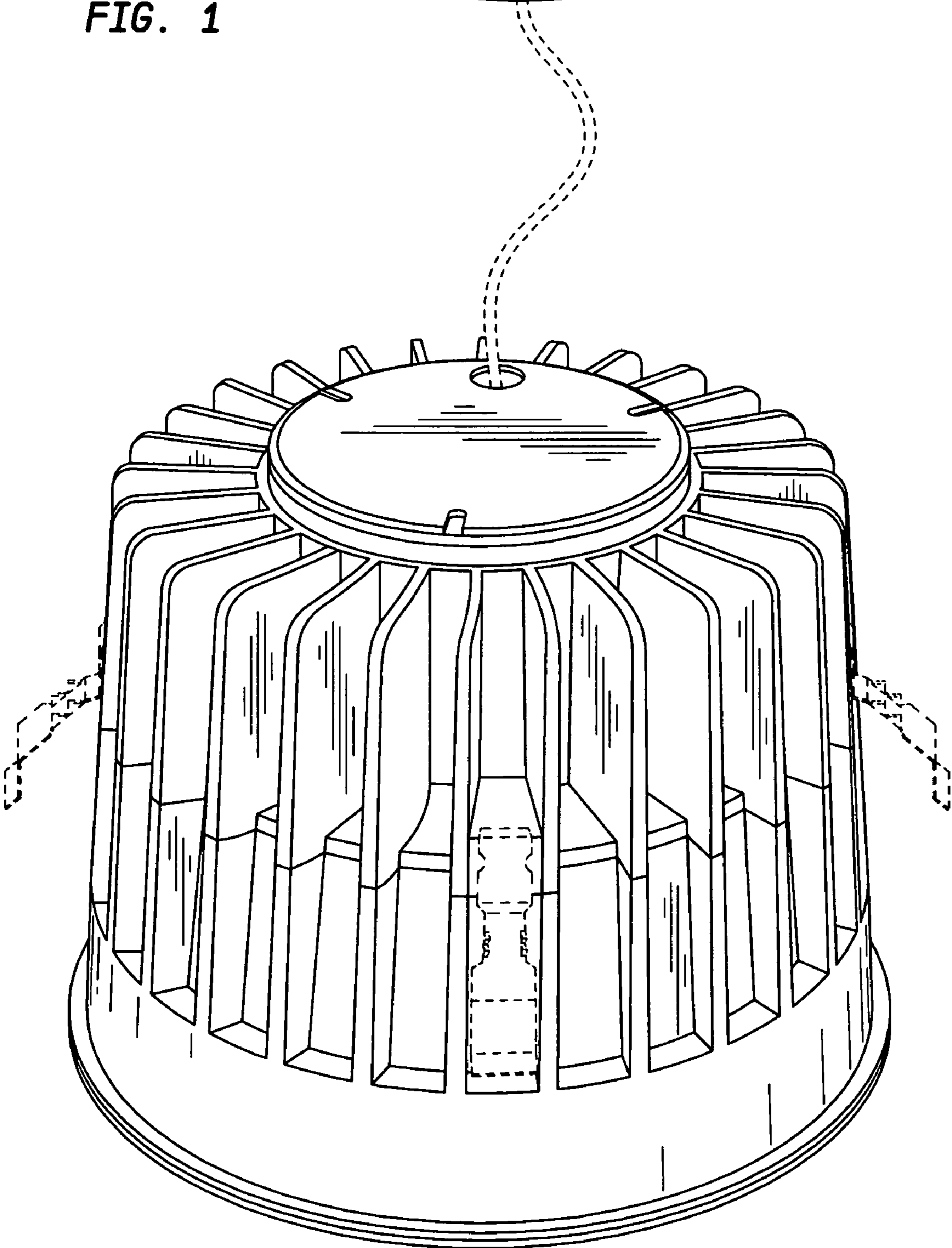


FIG. 2

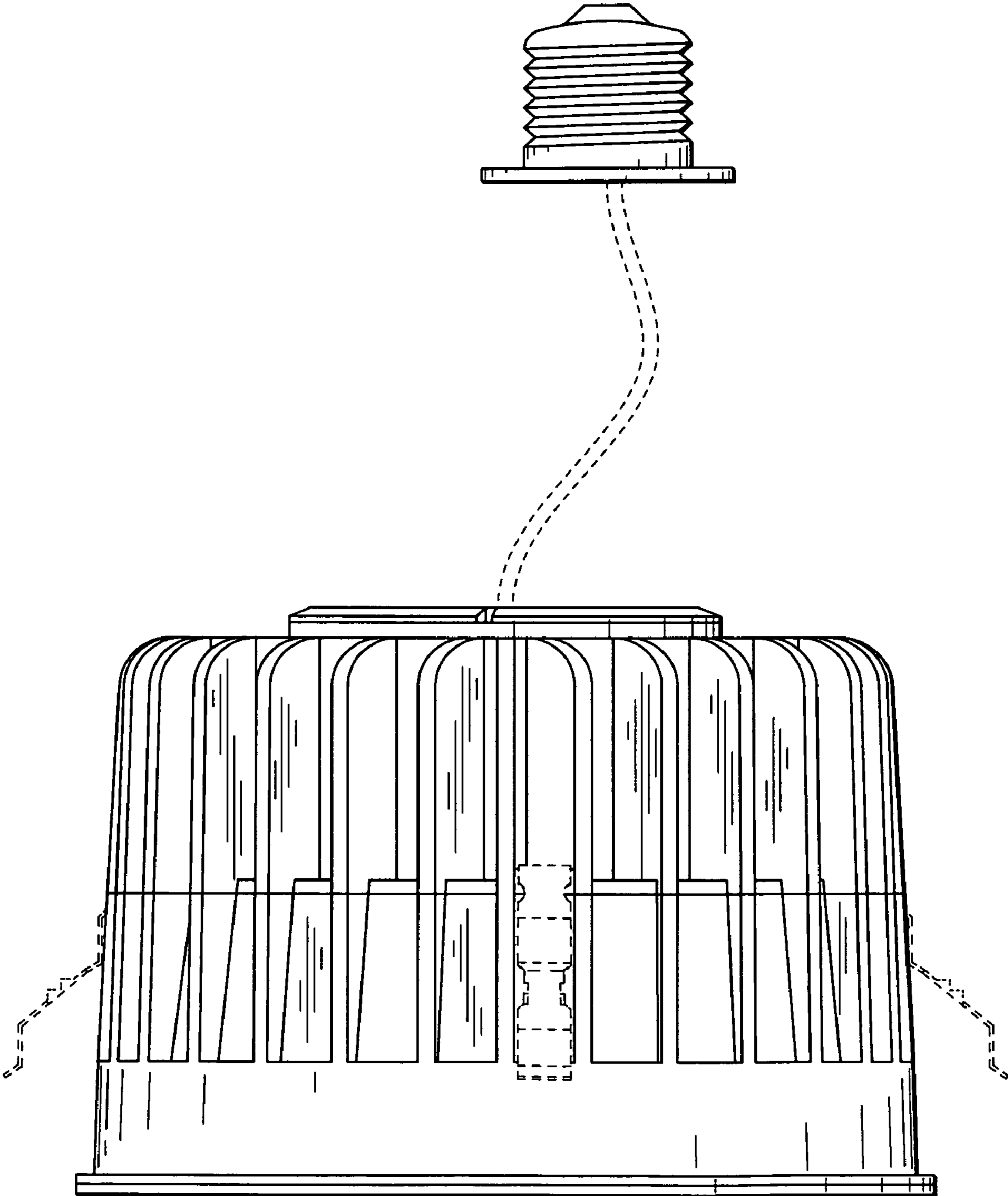
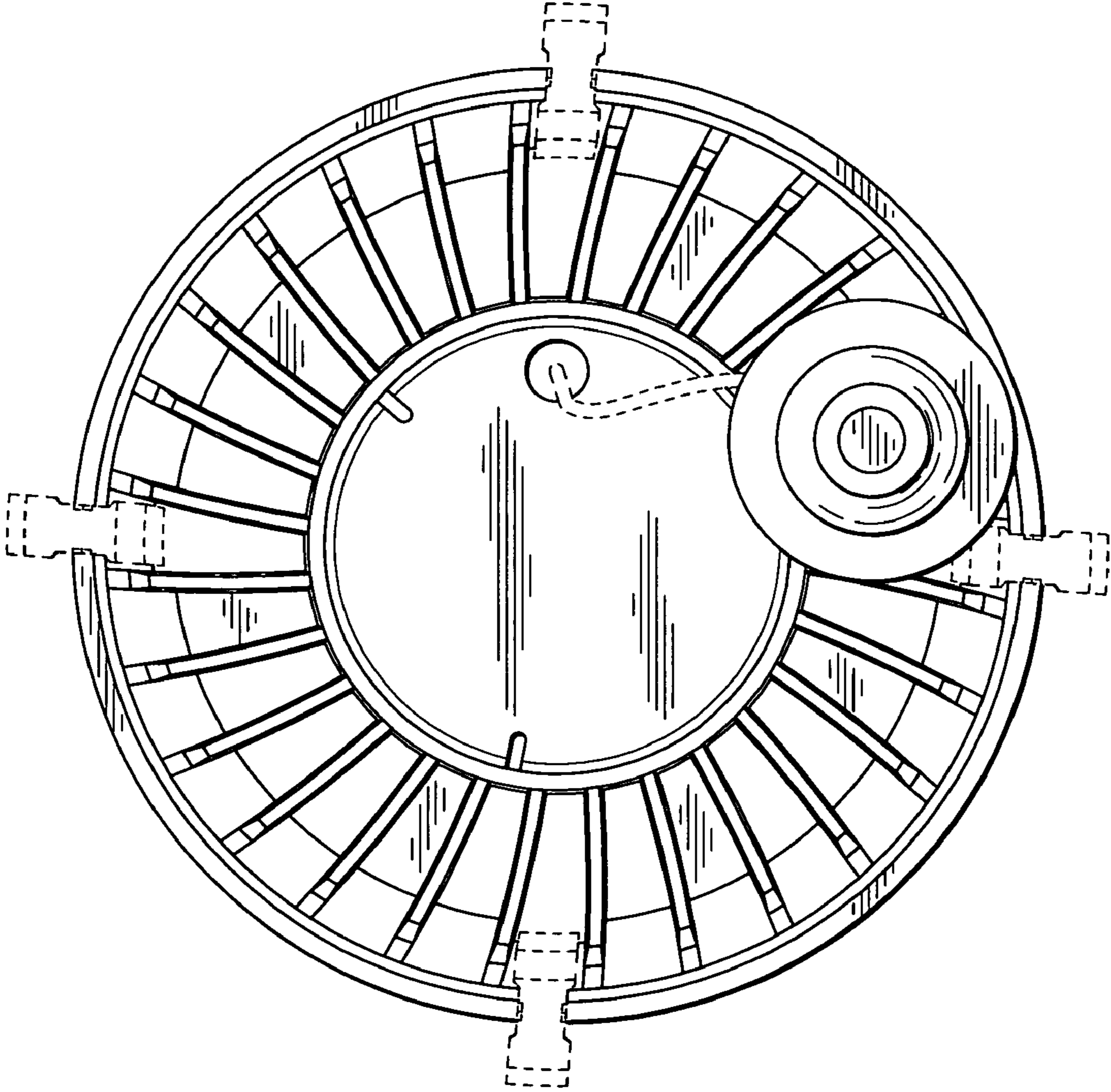


FIG. 3





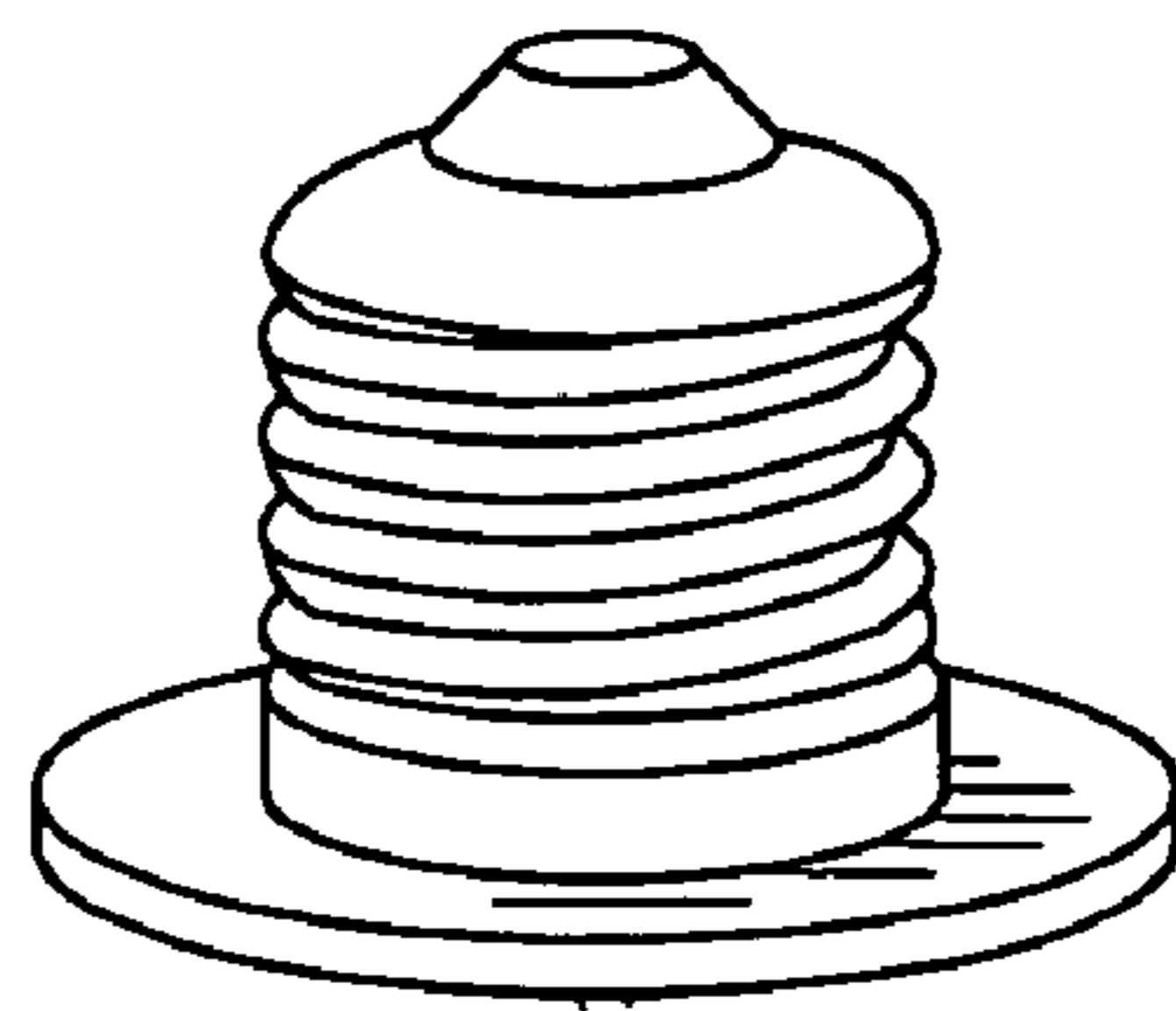


FIG. 4

