



US00D591892S

(12) **United States Design Patent**
Gill

(10) **Patent No.:** **US D591,892 S**
(45) **Date of Patent:** **** May 5, 2009**

(54) **LED STREETLIGHT HOUSING**

(75) Inventor: **Jason Jae Gill**, Omaha, NE (US)

(73) Assignee: **Well-Light Inc.**, Seoul (KR)

(**) Term: **14 Years**

(21) Appl. No.: **29/323,464**

(22) Filed: **Aug. 26, 2008**

(30) **Foreign Application Priority Data**

Jul. 23, 2008 (KR) 30-2008-0031893

(51) **LOC (9) Cl.** **26-05**

(52) **U.S. Cl.** **D26/71**

(58) **Field of Classification Search** D26/67-71,
D26/85, 92; 362/152, 183, 294, 373, 414,
362/431, 545, 800

See application file for complete search history.

(56) **References Cited**

U.S. PATENT DOCUMENTS

D201,700 S *	7/1965	Stockwell	D26/71
D205,719 S *	9/1966	Pettengill	D26/69
4,729,076 A *	3/1988	Masami et al.	362/373
D346,239 S *	4/1994	Vamberszky et al.	D26/85
D377,399 S *	1/1997	Kay	D26/68
D451,227 S *	11/2001	Orellana et al.	D26/67

D496,751 S *	9/2004	Lin	D26/85
D563,018 S *	2/2008	Nankil	D26/70
D571,494 S *	6/2008	Friedman et al.	D26/67
D578,696 S *	10/2008	Wang et al.	D26/70
7,458,706 B1 *	12/2008	Liu et al.	362/373

* cited by examiner

Primary Examiner—Clare E Heflin

(74) *Attorney, Agent, or Firm*—Merchant & Gould P.C.

(57) **CLAIM**

The ornamental design for a LED streetlight housing, as shown and described.

DESCRIPTION

FIG. 1 is a bottom plan view of the LED streetlight housing showing the new design;

FIG. 2 is a front elevational view thereof;

FIG. 3 is a left side elevational view thereof;

FIG. 4 is a front perspective view thereof;

FIG. 5 is a rear elevational view thereof;

FIG. 6 is a rear perspective view thereof;

FIG. 7 is a bottom perspective view thereof;

FIG. 8 is a right side elevational view thereof; and,

FIG. 9 is a top plan view thereof.

1 Claim, 9 Drawing Sheets

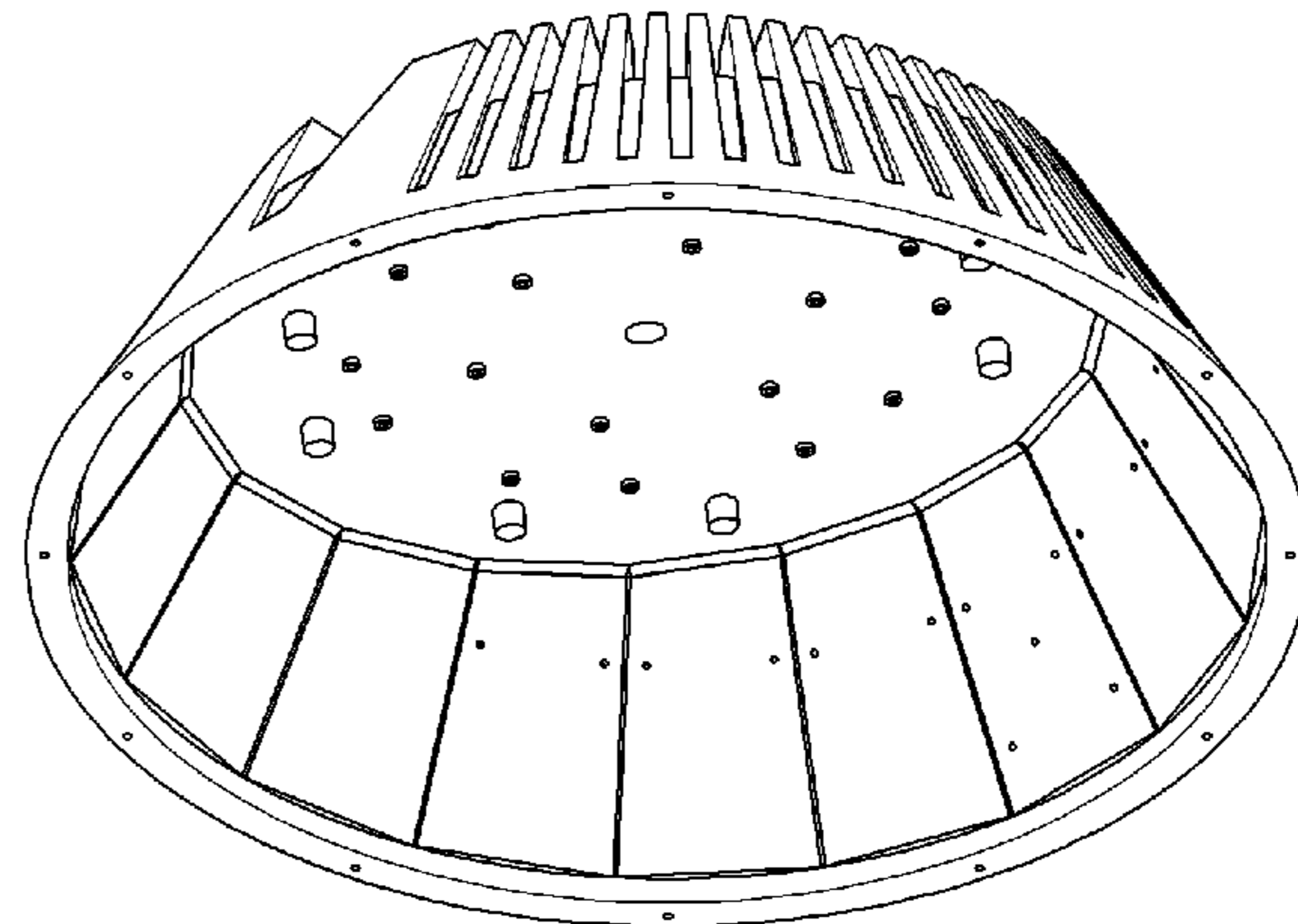
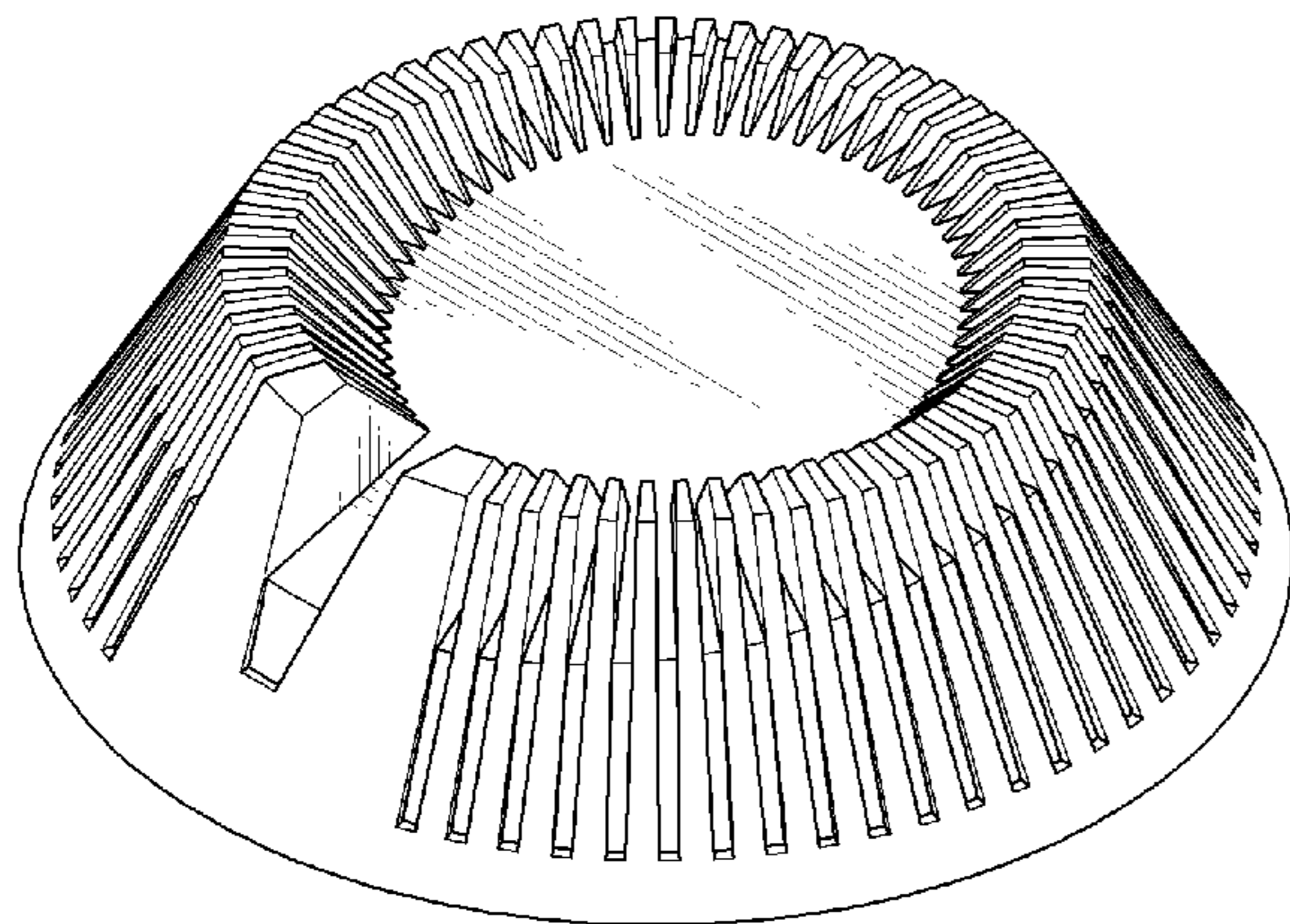


FIG. 1

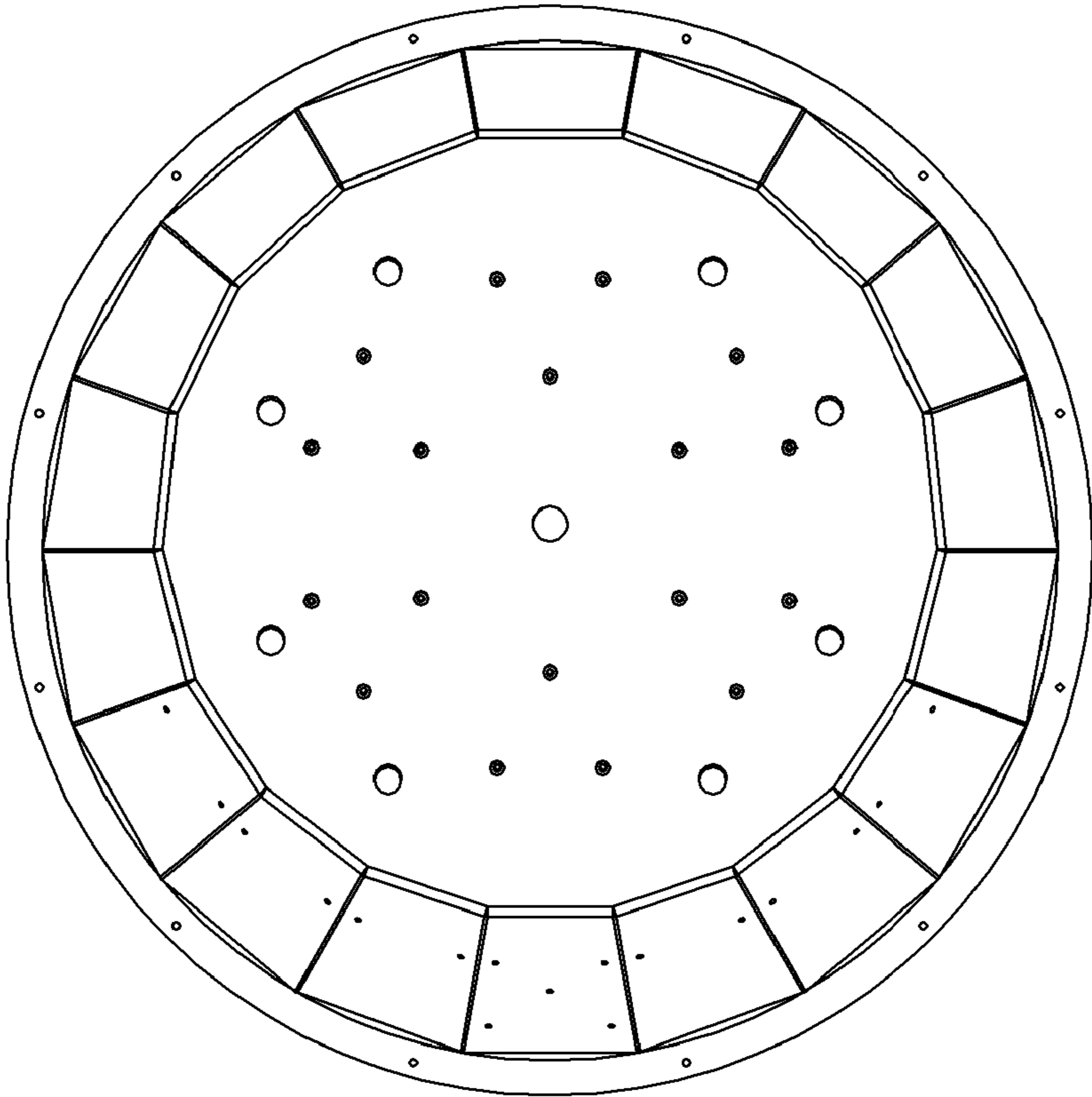


FIG. 2

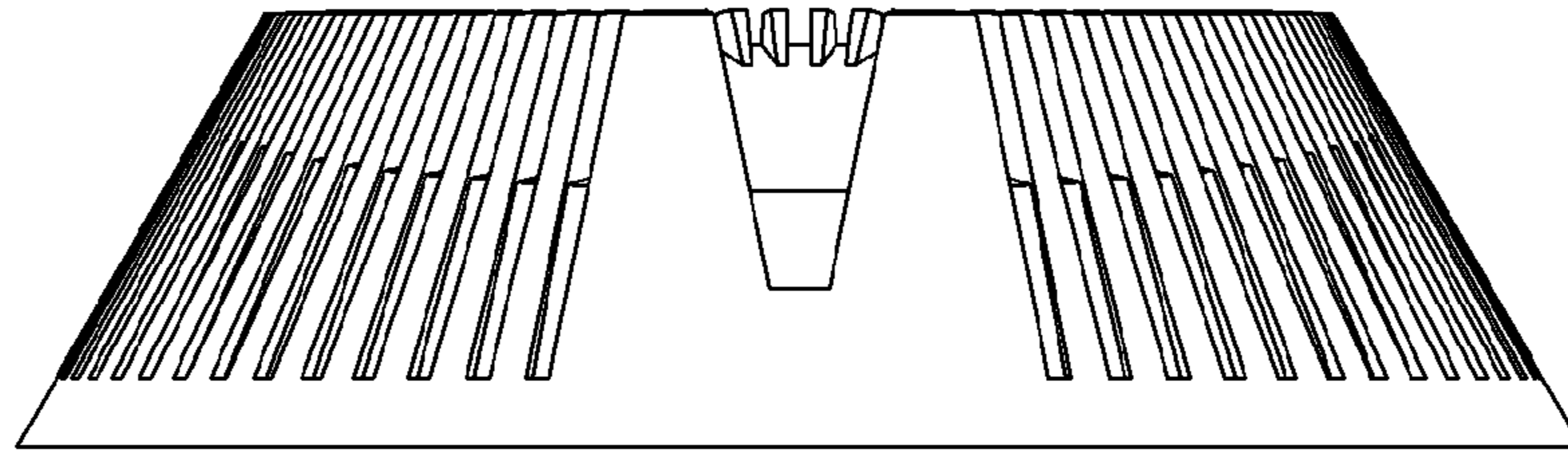


FIG. 3

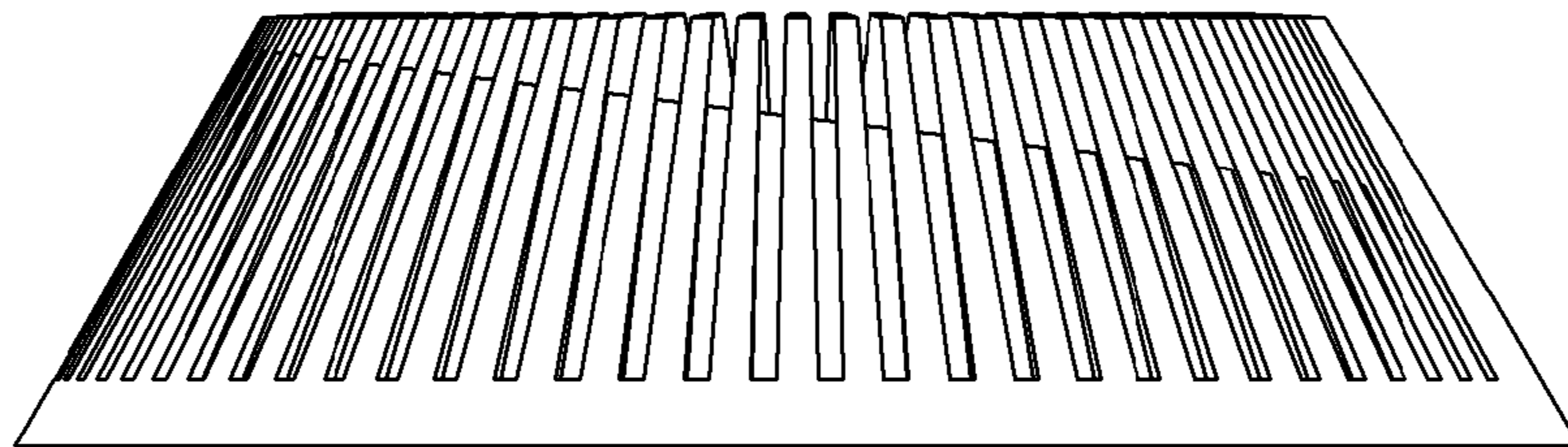


FIG. 4

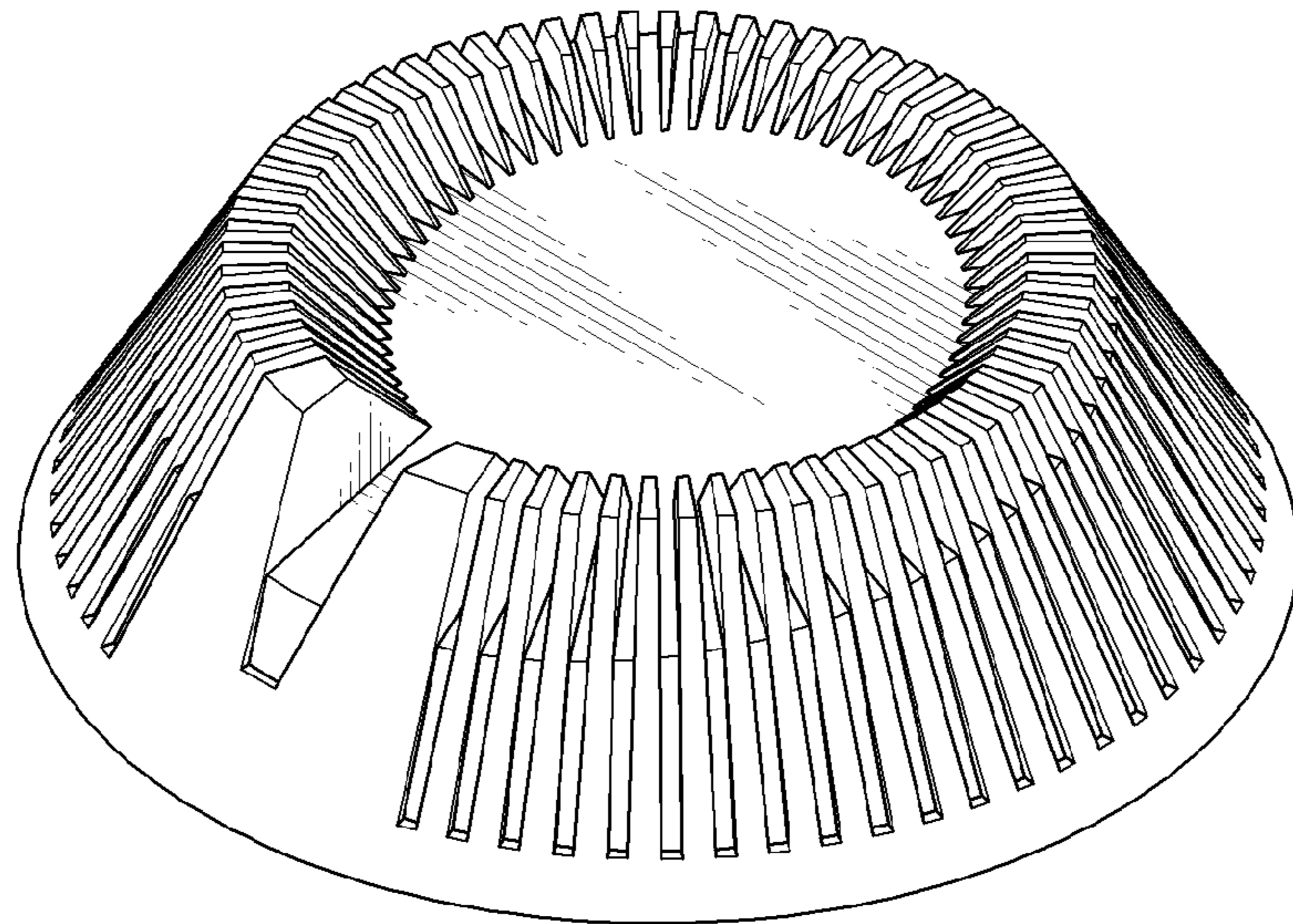


FIG. 5

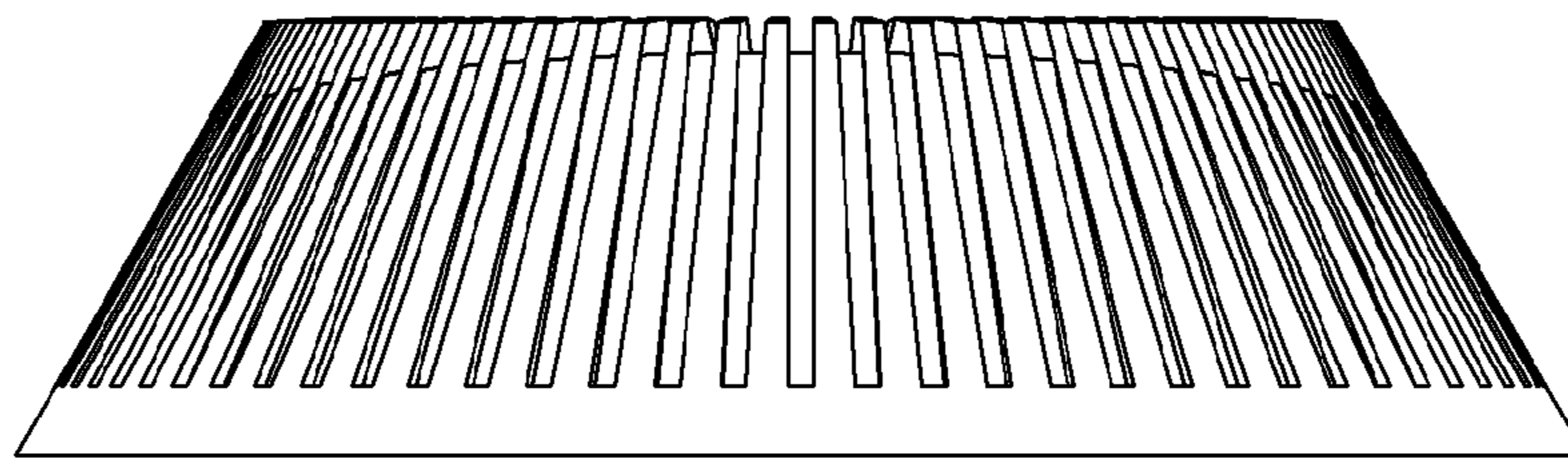


FIG. 6

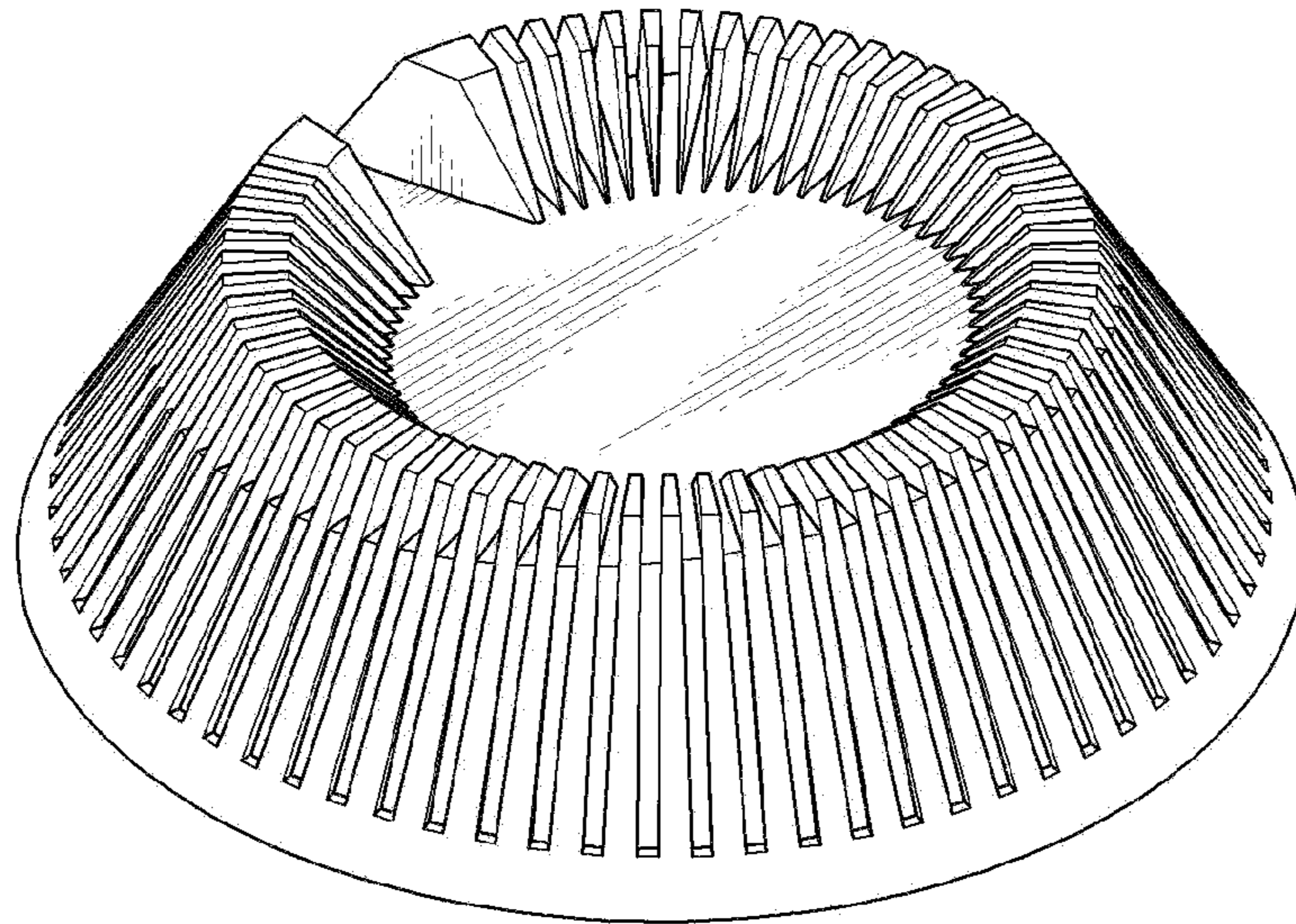


FIG. 7

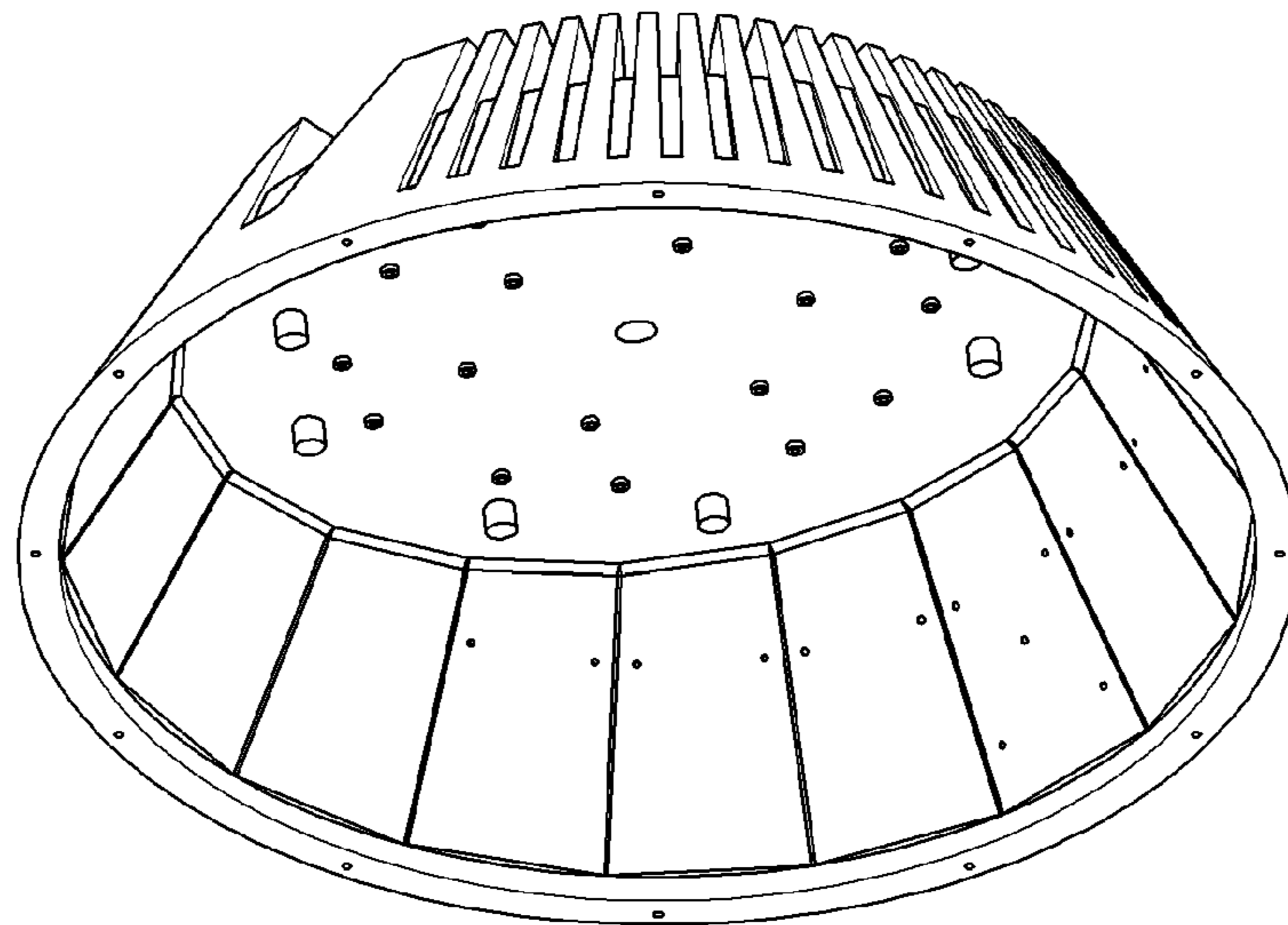


FIG. 8

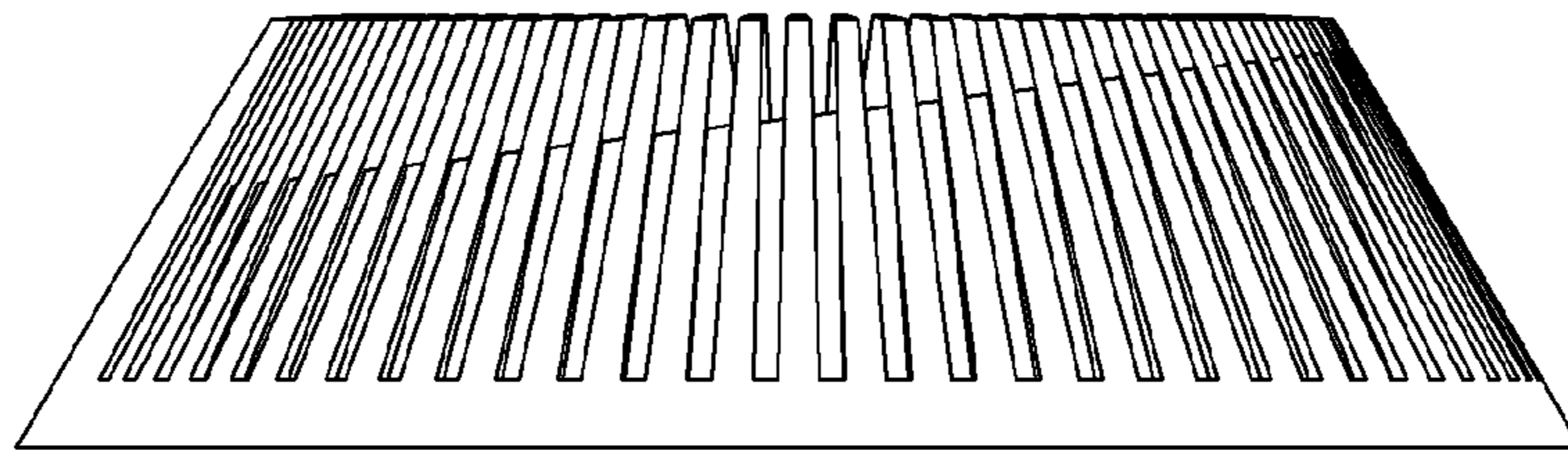


FIG. 9

