



US00D591890S

(12) **United States Design Patent**
Gill

(10) **Patent No.:** **US D591,890 S**

(45) **Date of Patent:** **** May 5, 2009**

(54) **LAMP HEAD FOR LED STREETLIGHT**

D571,494 S * 6/2008 Friedman et al. D26/67
D578,696 S * 10/2008 Wang et al. D26/70
7,458,706 B1 * 12/2008 Liu et al. 362/373

(75) Inventor: **Jason Jae Gill**, Omaha, NE (US)

(73) Assignee: **Well-Light Inc.**, Seoul (KR)

(**) Term: **14 Years**

(21) Appl. No.: **29/317,324**

(22) Filed: **Apr. 28, 2008**

(30) **Foreign Application Priority Data**

Apr. 1, 2008 (KR) 30-2008-0013857

(51) **LOC (9) Cl.** **26-05**

(52) **U.S. Cl.** **D26/71**

(58) **Field of Classification Search** D26/67-71,
D26/85, 92; 362/152, 183, 294, 373, 414,
362/431, 545, 800

See application file for complete search history.

(56) **References Cited**

U.S. PATENT DOCUMENTS

- D201,700 S * 7/1965 Stockwell D26/71
- D205,719 S * 9/1966 Pettengill D26/69
- 4,729,076 A * 3/1988 Masami et al. 362/373
- D346,239 S * 4/1994 Vamberszky et al. D26/85
- D377,399 S * 1/1997 Kay D26/68
- D451,227 S * 11/2001 Orellana et al. D26/67
- D496,751 S * 9/2004 Lin D26/85
- D563,018 S * 2/2008 Nankil D26/70

* cited by examiner

Primary Examiner—Clare E Heflin

(74) *Attorney, Agent, or Firm*—Merchant & Gould P.C.

(57) **CLAIM**

The ornamental design for a lamp head for LED streetlight, as shown and described.

DESCRIPTION

FIG. 1 is a bottom plan view of the lamp head for LED streetlight showing the new design;

FIG. 2 is a front elevational view thereof;

FIG. 3 is a left side elevational view thereof;

FIG. 4 is a top perspective view thereof;

FIG. 5 is a rear elevational view thereof;

FIG. 6 is a bottom perspective view thereof;

FIG. 7 is an exploded bottom perspective view thereof and which illustrates the internal structure of the lamp head, wherein the internal structure of the lamp head is not shown in the other figures for convenience of illustration;

FIG. 8 is a right side elevational view thereof; and,

FIG. 9 is a top plan view thereof.

1 Claim, 9 Drawing Sheets

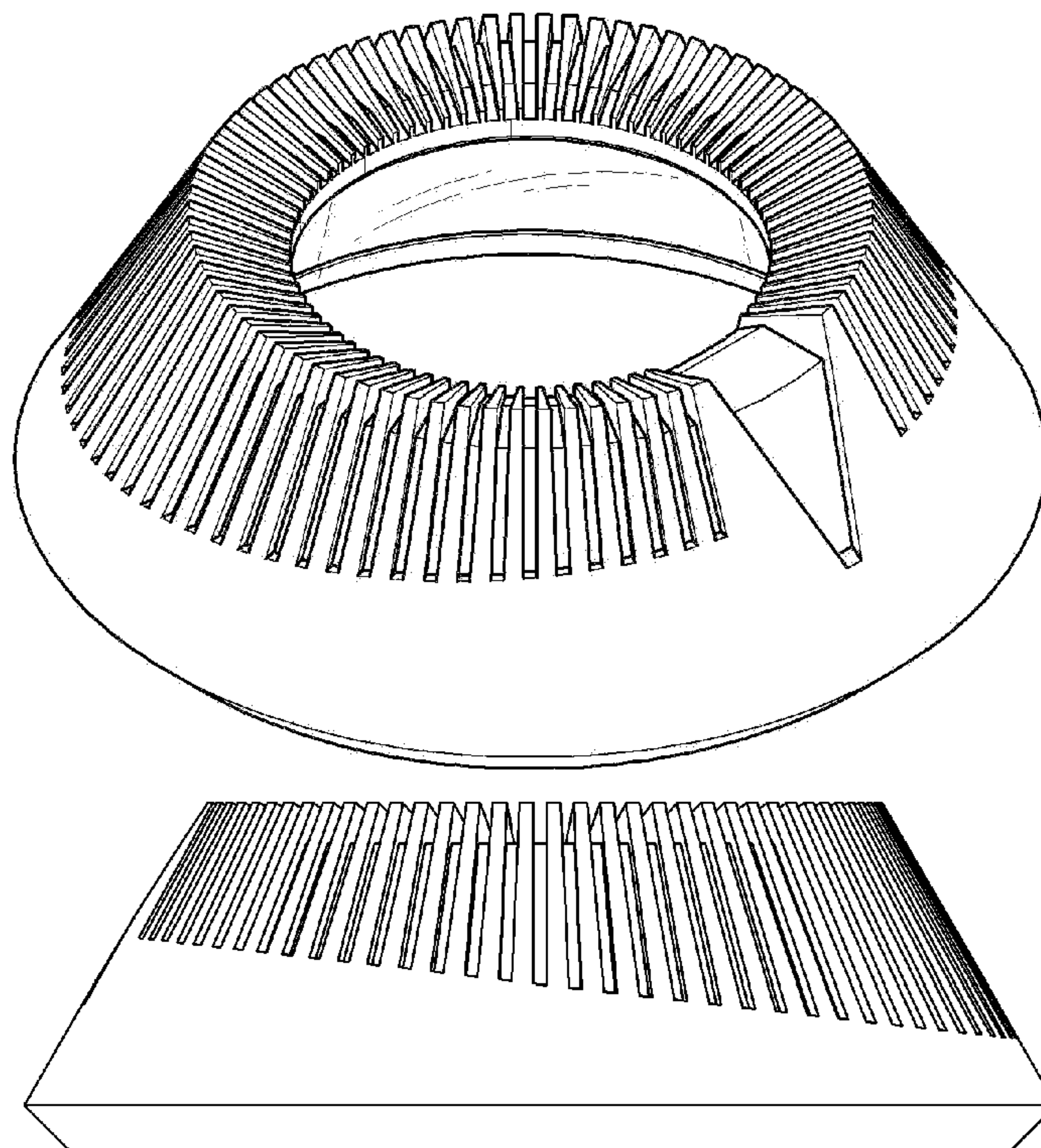


FIG. 1

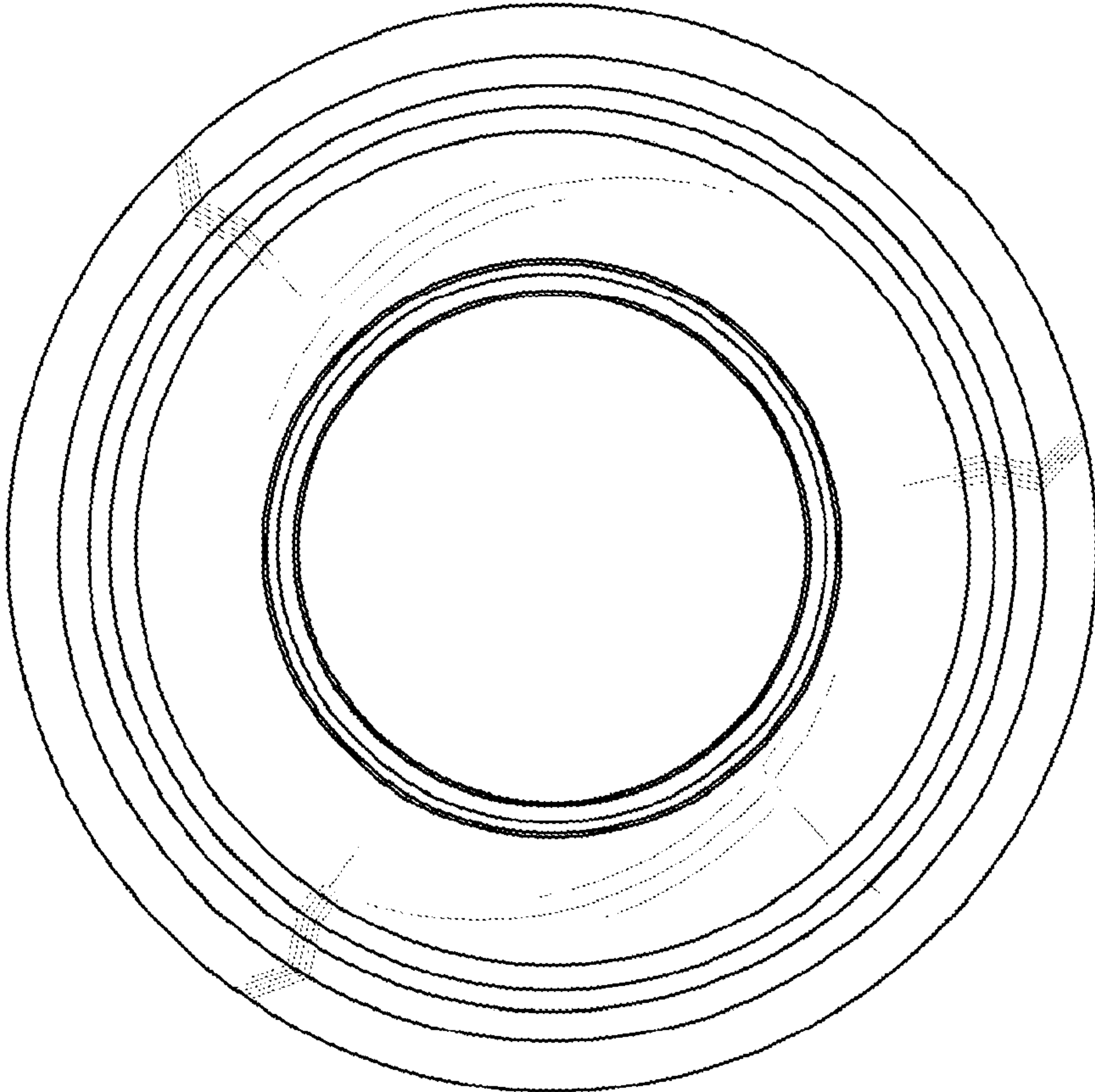


FIG. 2

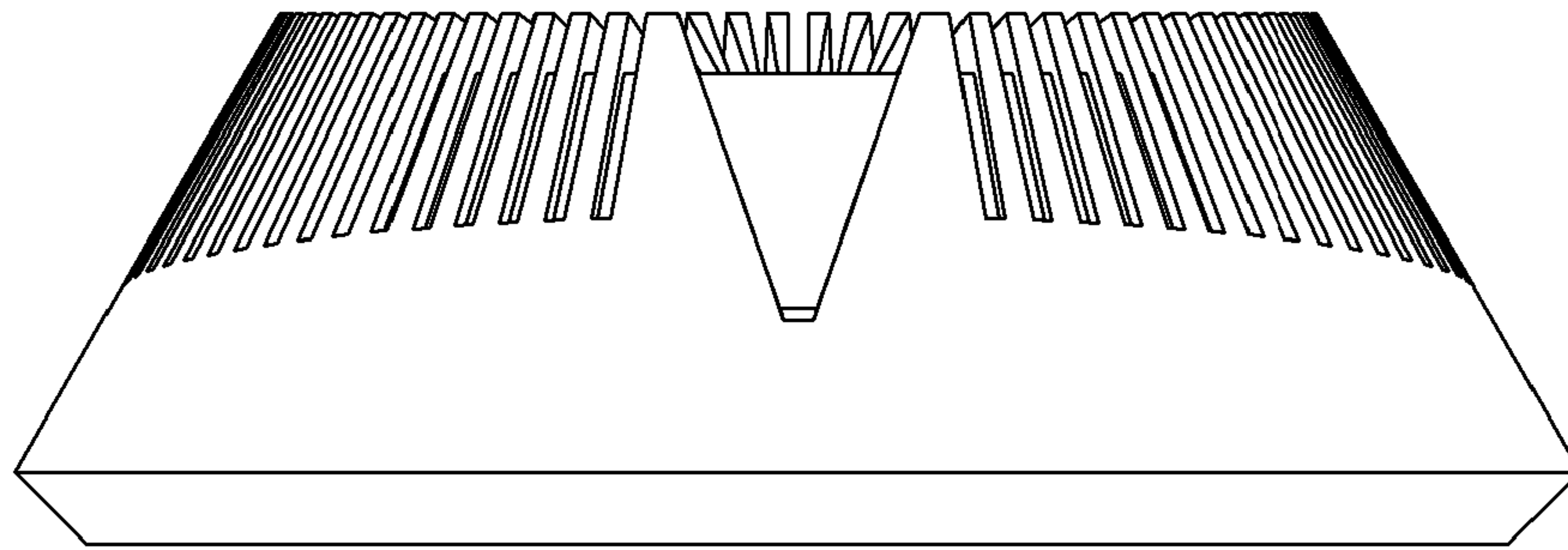


FIG. 3

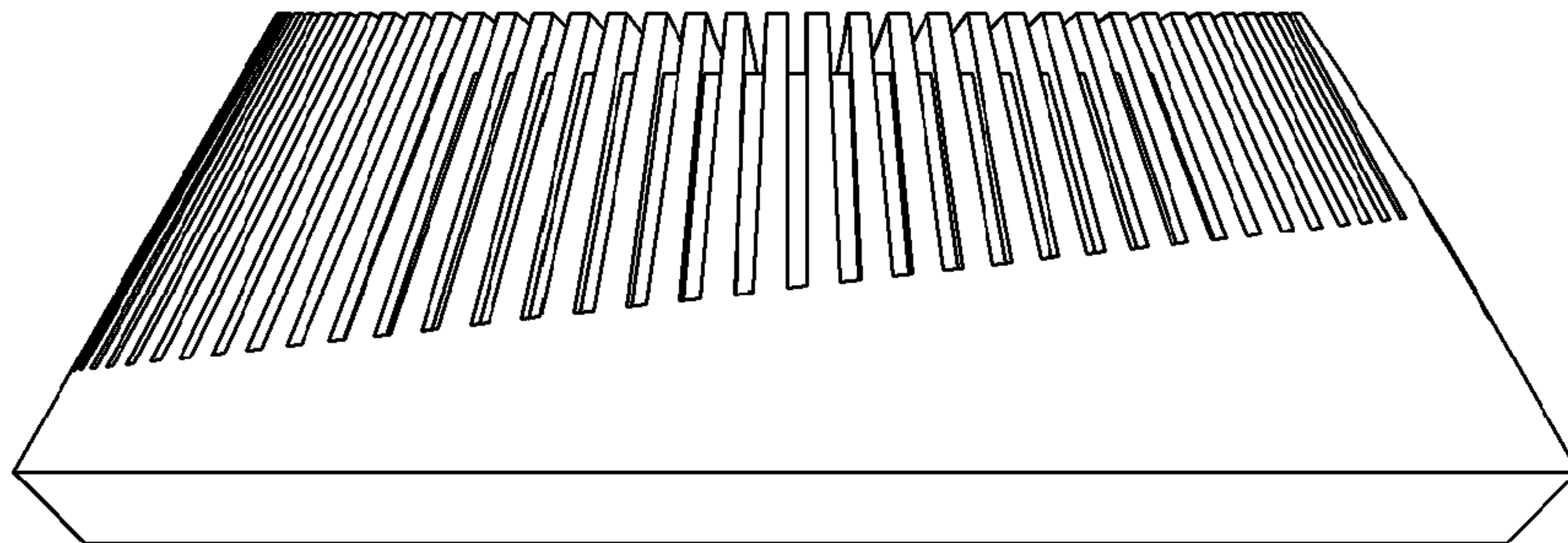


FIG. 4

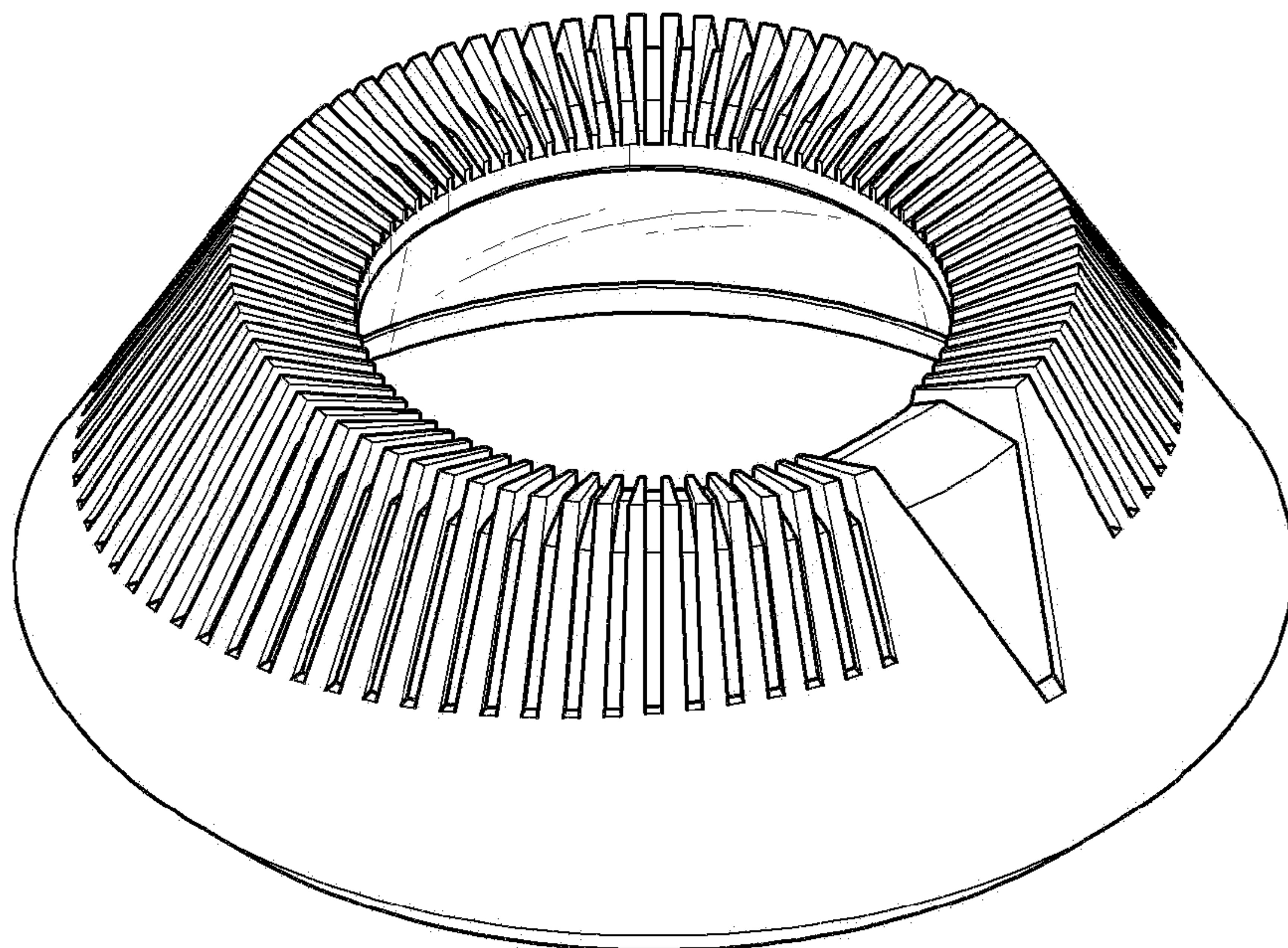


FIG. 5

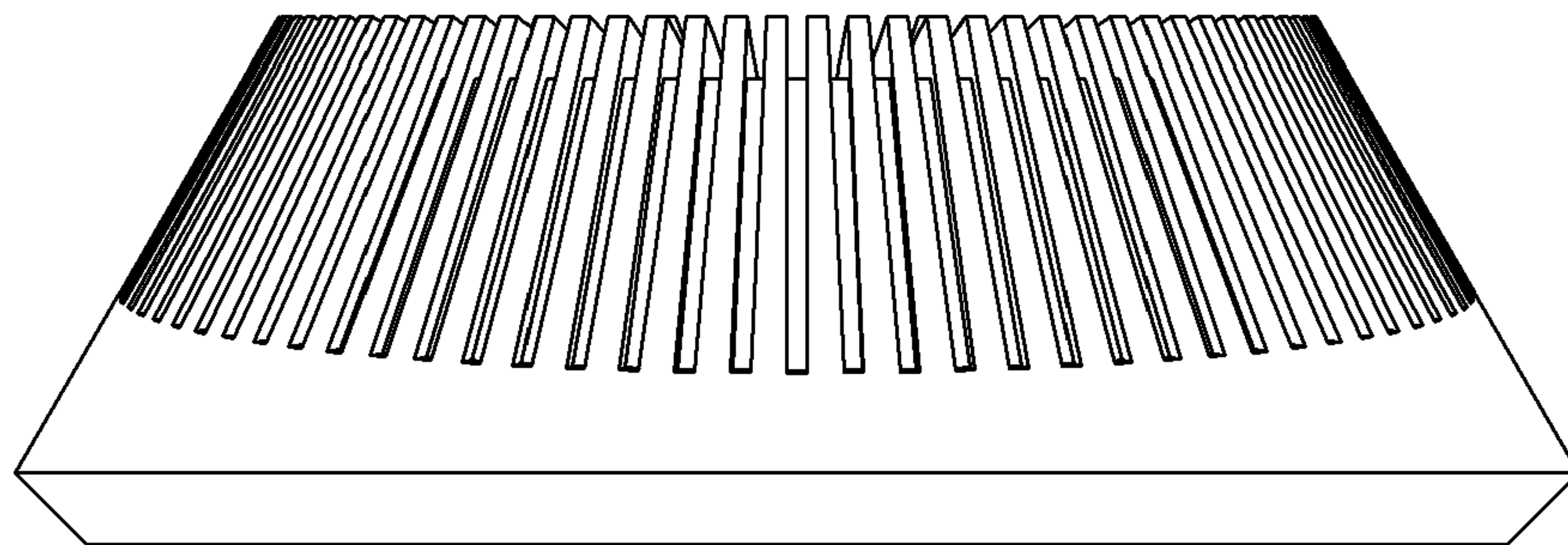


FIG. 6

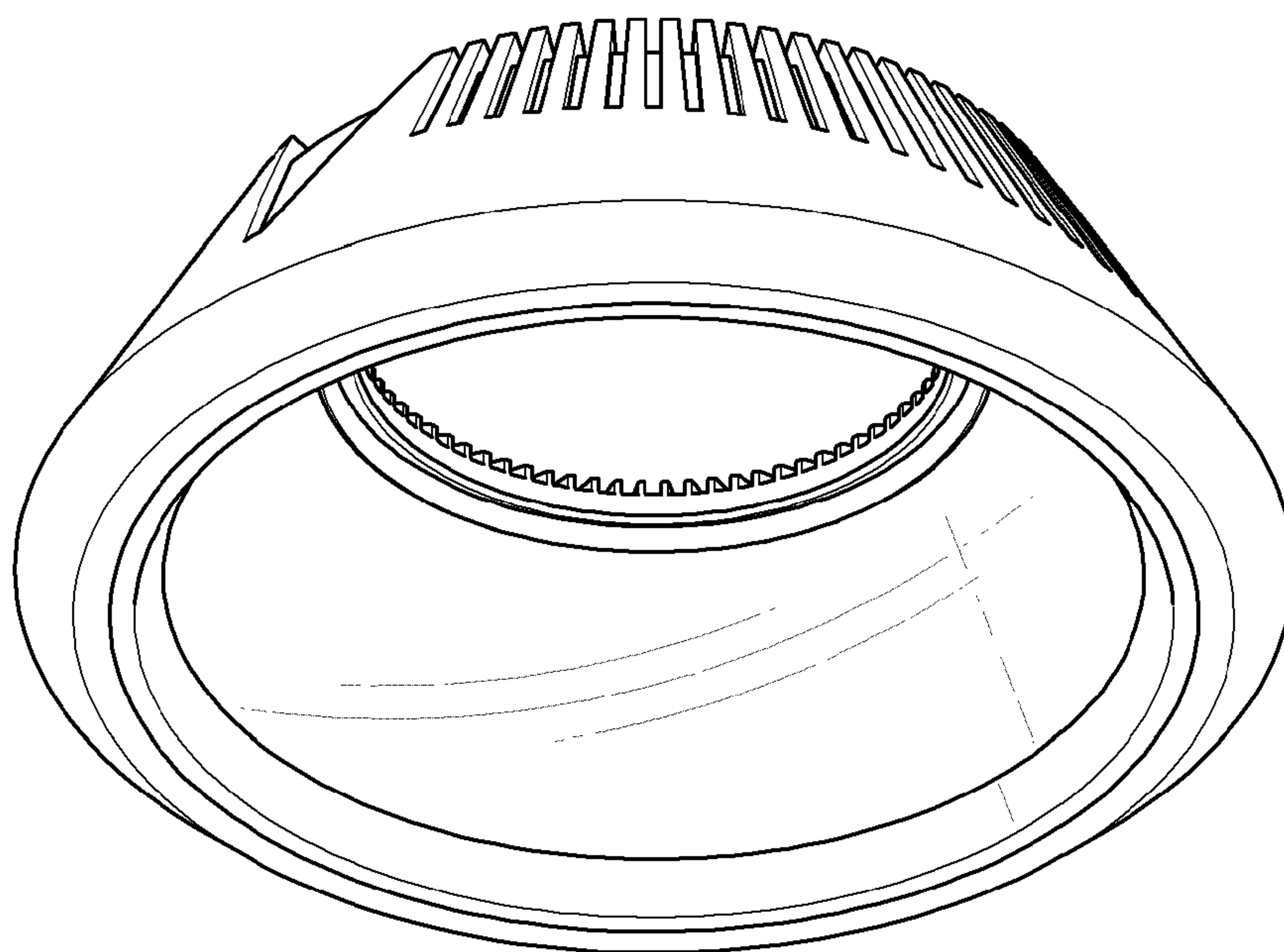


FIG. 7

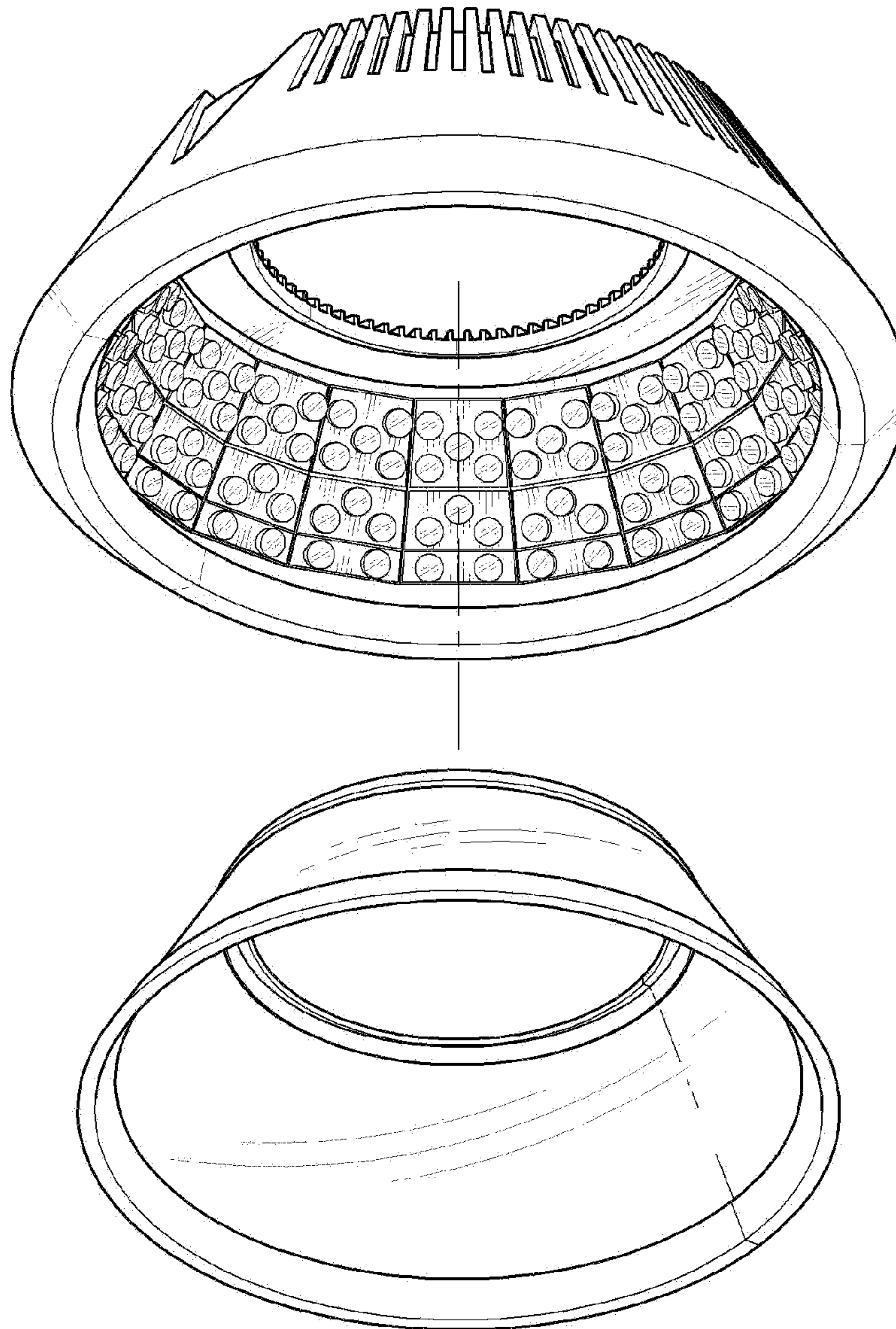


FIG. 8

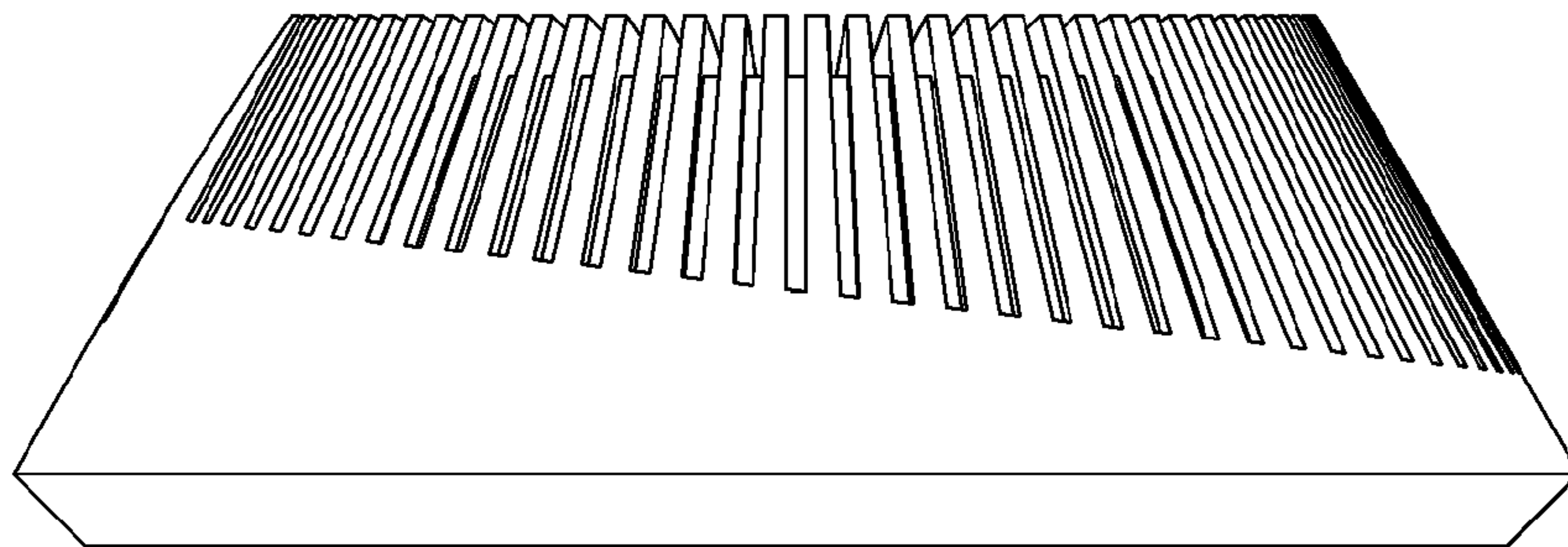


FIG. 9

